



US00D642886S

(12) **United States Design Patent**
Sciamma

(10) **Patent No.:** **US D642,886 S**

(45) **Date of Patent:** **** Aug. 9, 2011**

(54) **SAW**

(76) **Inventor:** **Frederic Sciamma, Ibiza (ES)**

(**) **Term:** **14 Years**

(21) **Appl. No.:** **29/359,870**

(22) **Filed:** **Apr. 16, 2010**

(30) **Foreign Application Priority Data**

Mar. 16, 2010 (EM) 001681917

(51) **LOC (9) Cl.** **08-03**

(52) **U.S. Cl.** **D8/66**

(58) **Field of Classification Search** D8/69,

D8/68, 67, 66, 64, 61, 70; 83/698.41, 747,

83/166.3, 374, 373, 375, 376, 391, 377, 390,

83/388, 389; 125/13.01; 144/218; D21/532

See application file for complete search history.

(56) **References Cited**

U.S. PATENT DOCUMENTS

D177,063 S * 3/1956 Nesbitt D8/61

D266,222 S * 9/1982 Buscher D8/61

D282,142 S * 1/1986 Siravo D8/66

D303,346 S * 9/1989 Ogawa D8/61

4,976,034 A * 12/1990 Whitman 30/370

D328,842 S * 8/1992 Whitman D8/64

D363,656 S * 10/1995 Gierke D8/66

D375,439 S * 11/1996 Niwa et al. D8/66

D401,827 S * 12/1998 Lui D8/66

6,470,576 B2 * 10/2002 Watson 30/377

D519,810 S * 5/2006 Chu D8/70

D559,644 S * 1/2008 Kuroyanagi et al. D8/66

D586,636 S * 2/2009 Aglassinger D8/66

* cited by examiner

Primary Examiner — Austin Murphy

(74) *Attorney, Agent, or Firm* — Fay Sharpe LLP

(57) **CLAIM**

The ornamental design for a saw, as shown and described.

DESCRIPTION

FIG. 1 is a front perspective view showing the new design;

FIG. 2 is a back view of FIG. 1;

FIG. 3 is a bottom view of FIG. 1;

FIG. 4 is a front side view of FIG. 1;

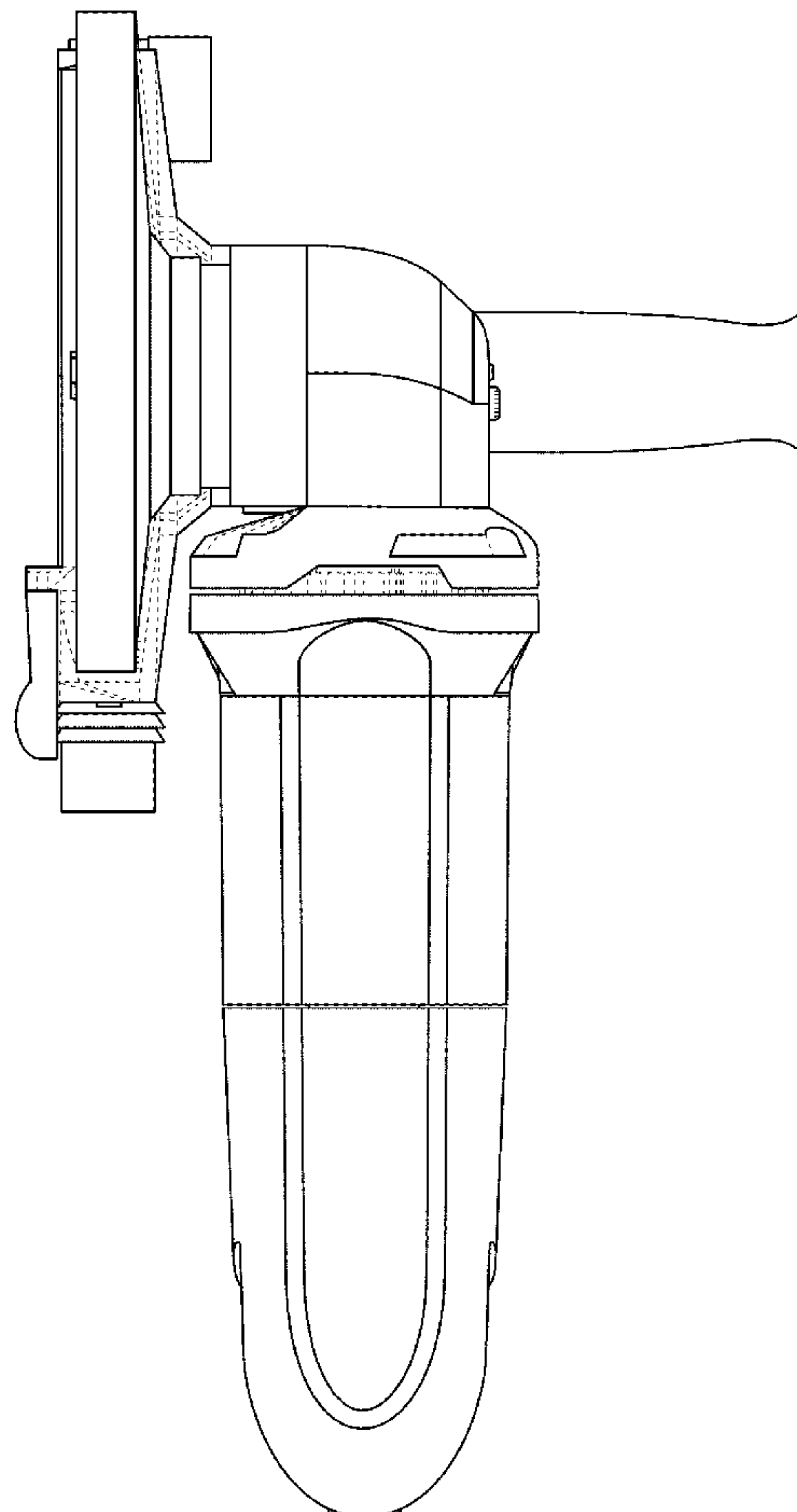
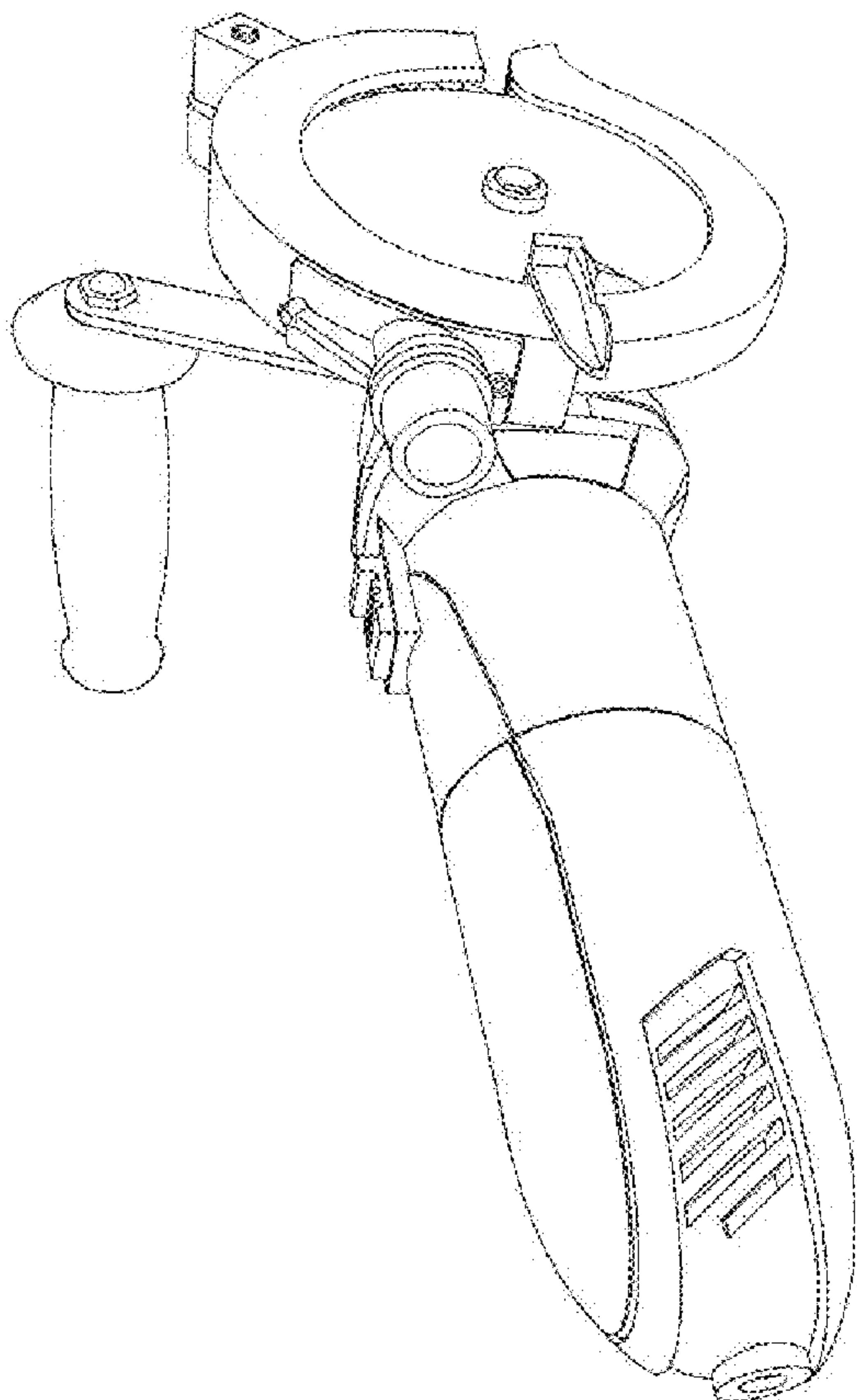
FIG. 5 is a left side view of FIG. 1;

FIG. 6 is a right view of FIG. 1; and,

FIG. 7 is a top view of FIG. 1.

The broken lines shown in the figures form no part of the claimed design.

1 Claim, 7 Drawing Sheets



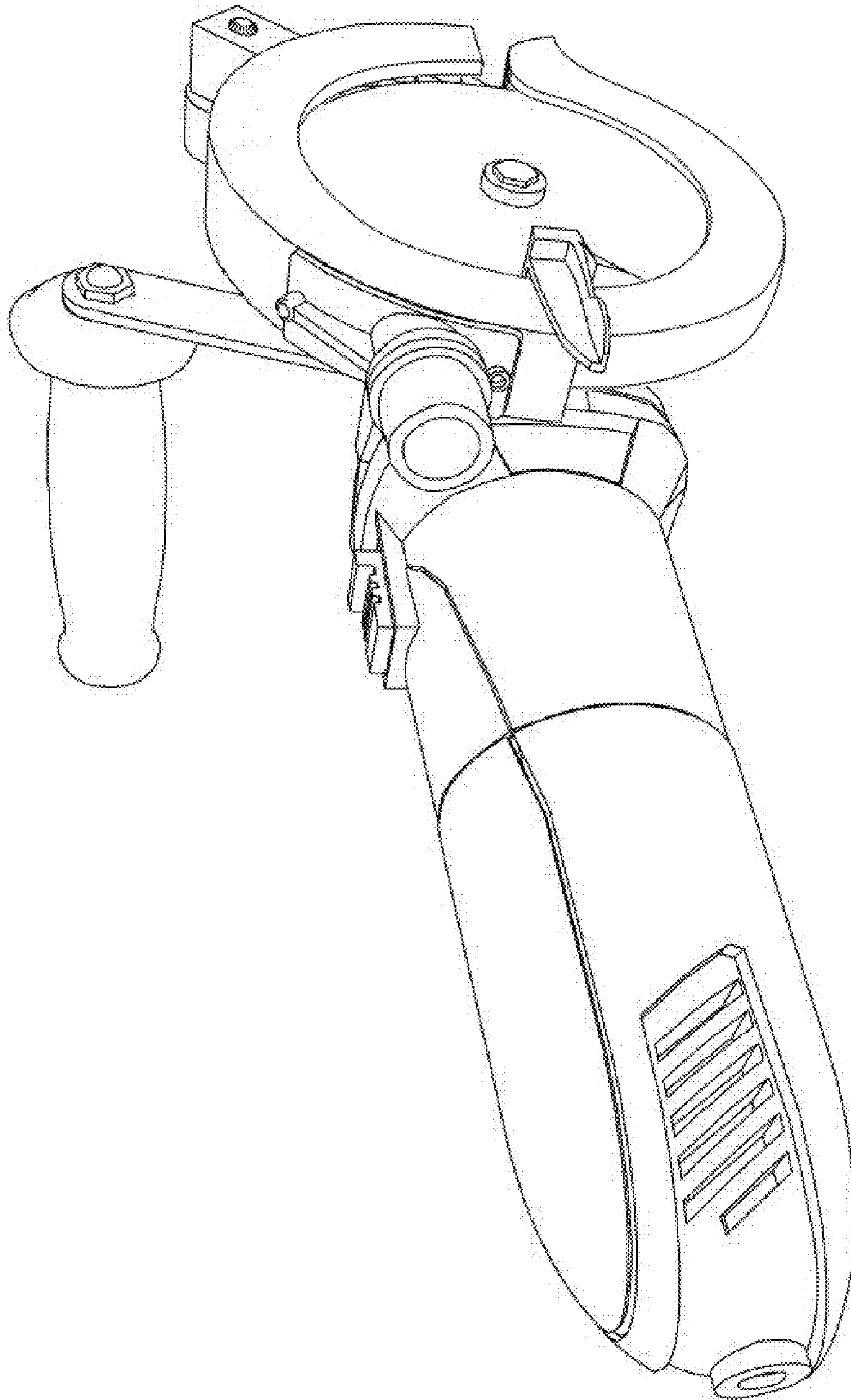


FIGURE 1

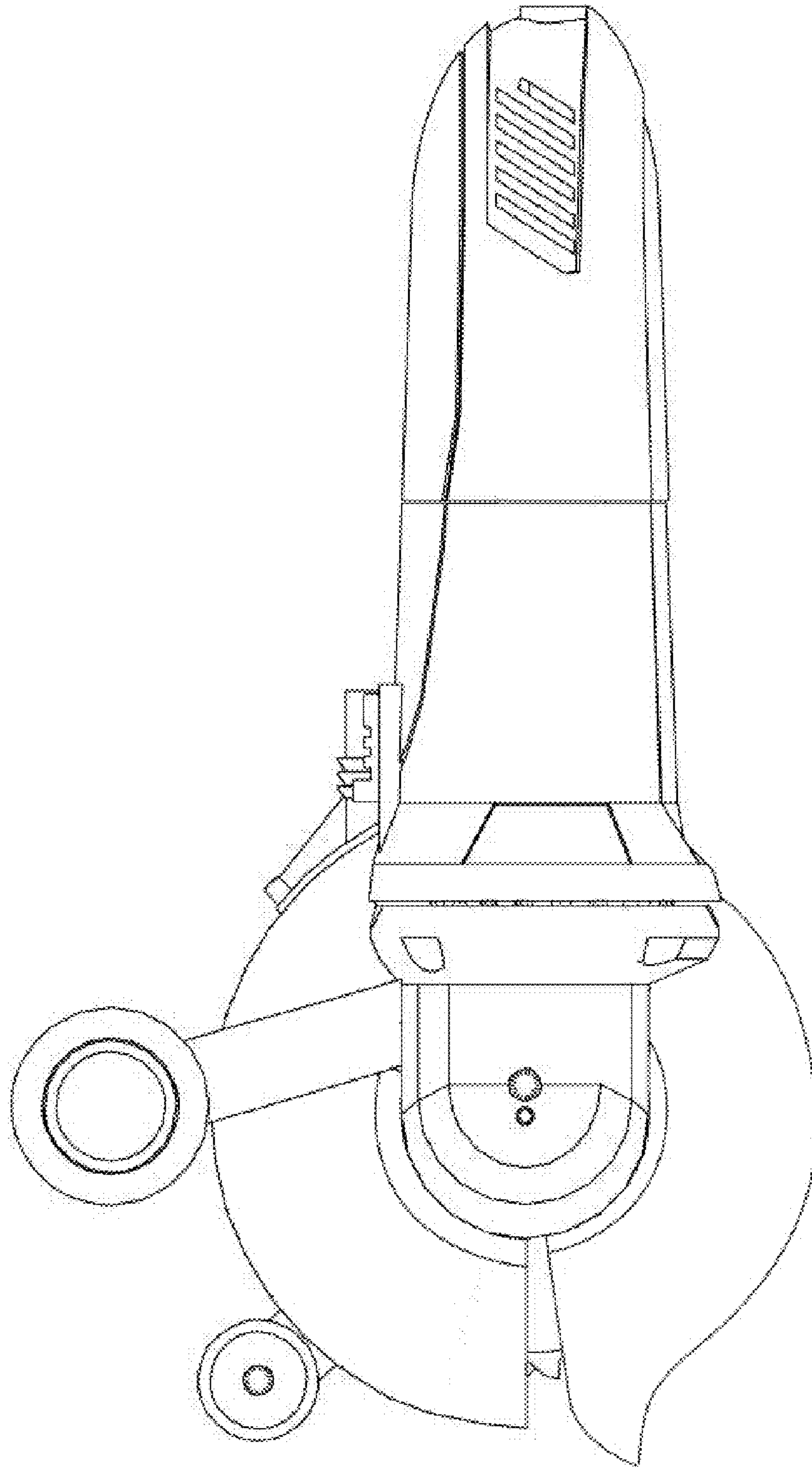


FIGURE 2

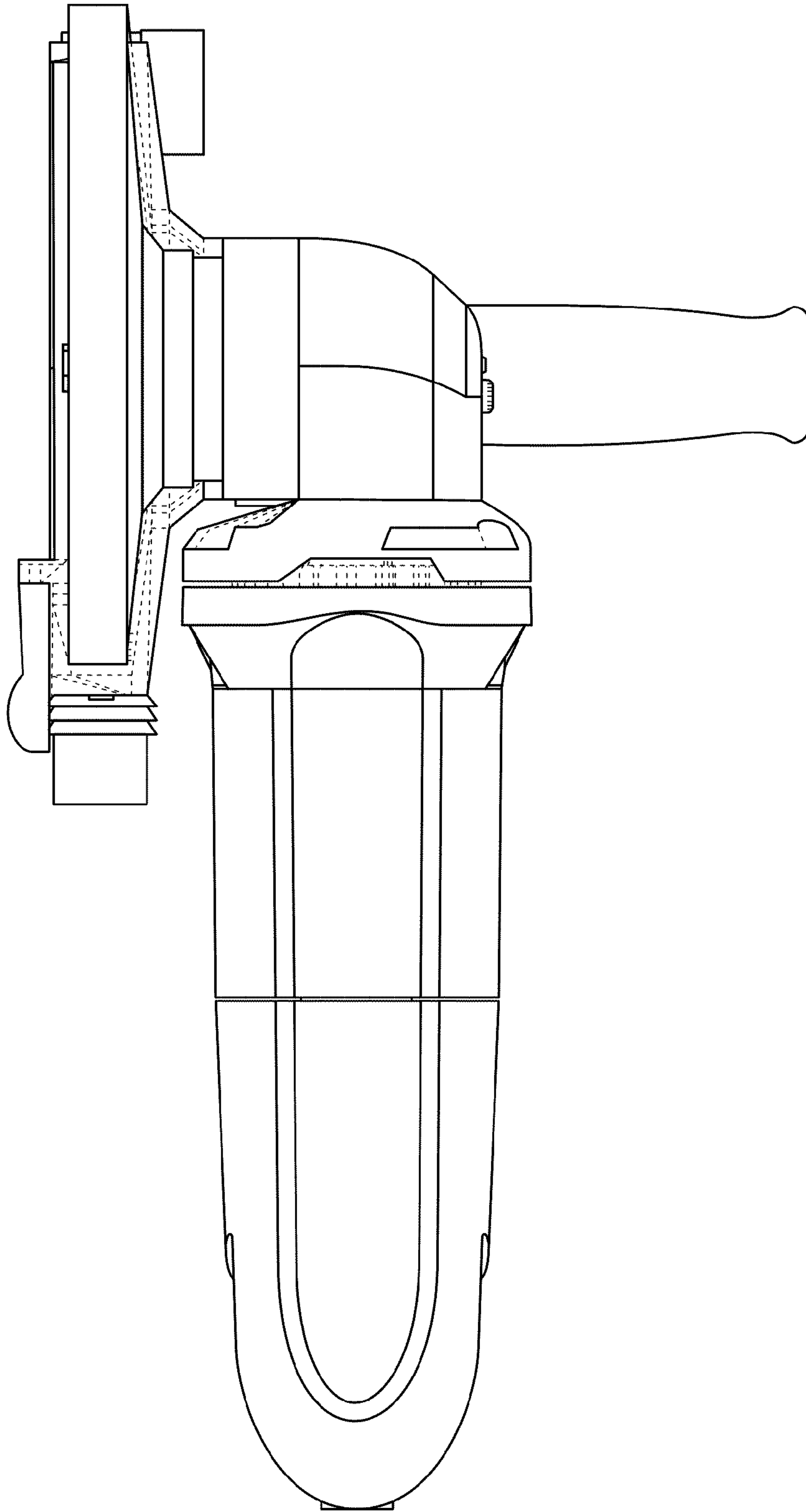


FIGURE 3

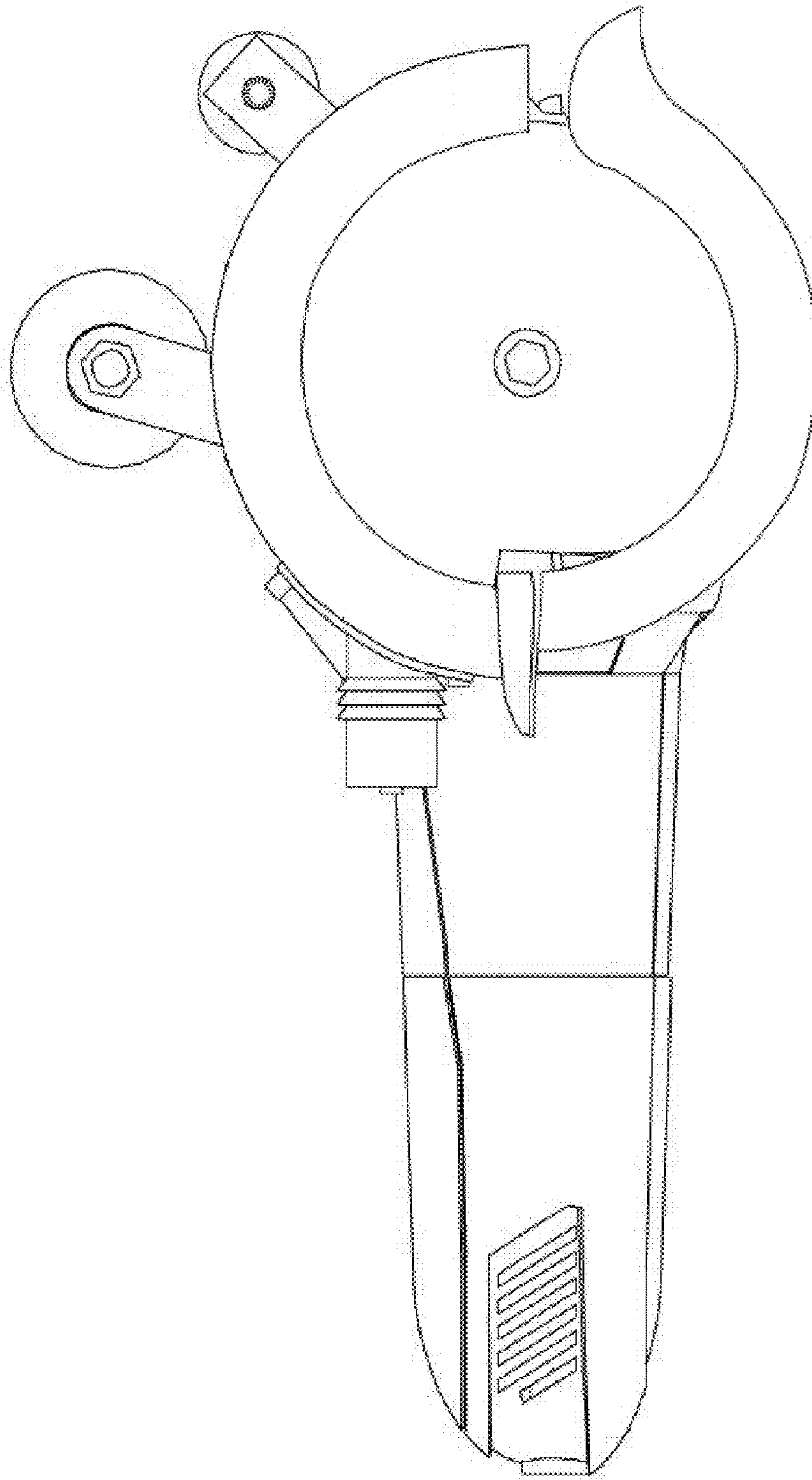


FIGURE 4

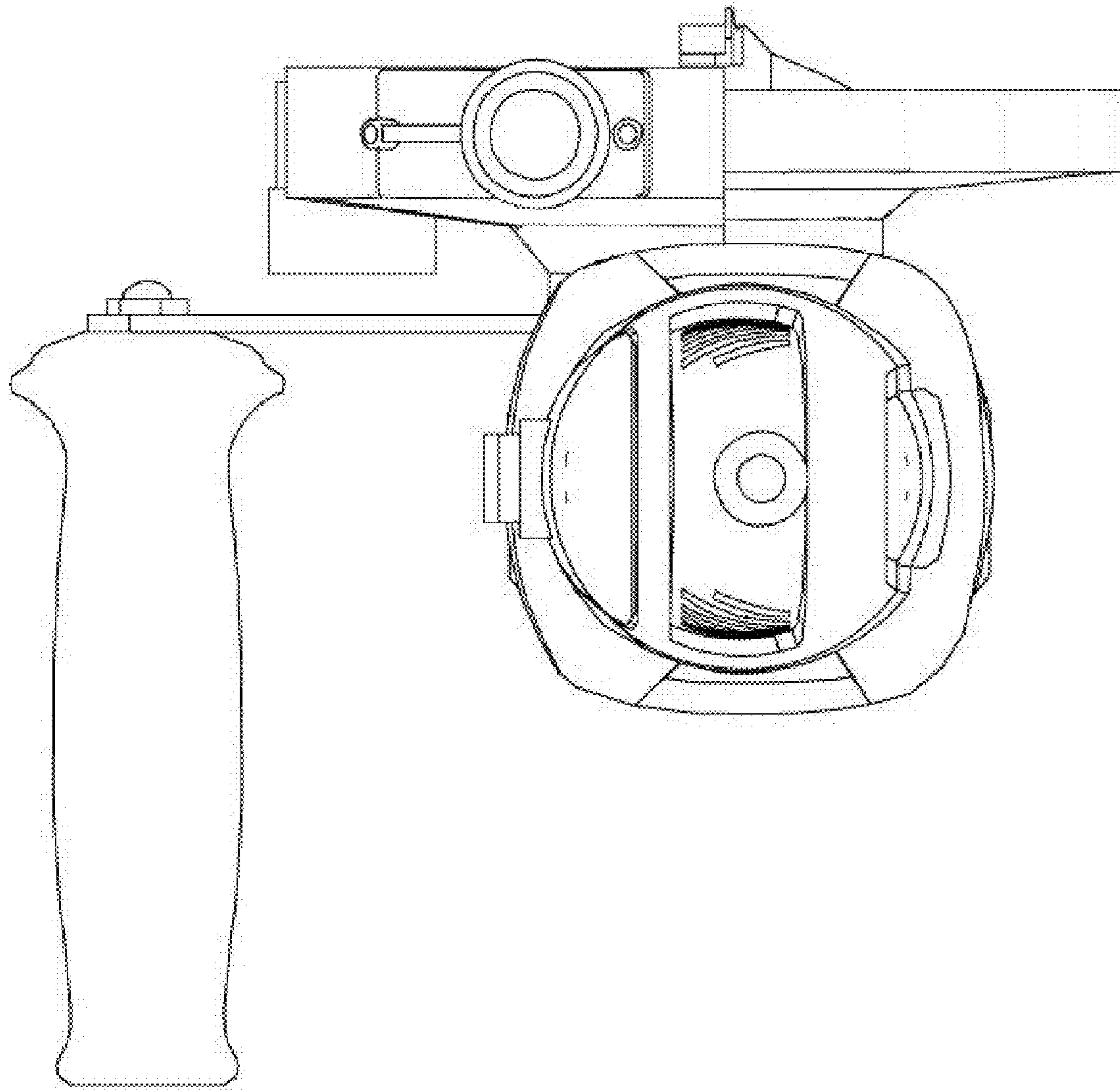


FIGURE 5

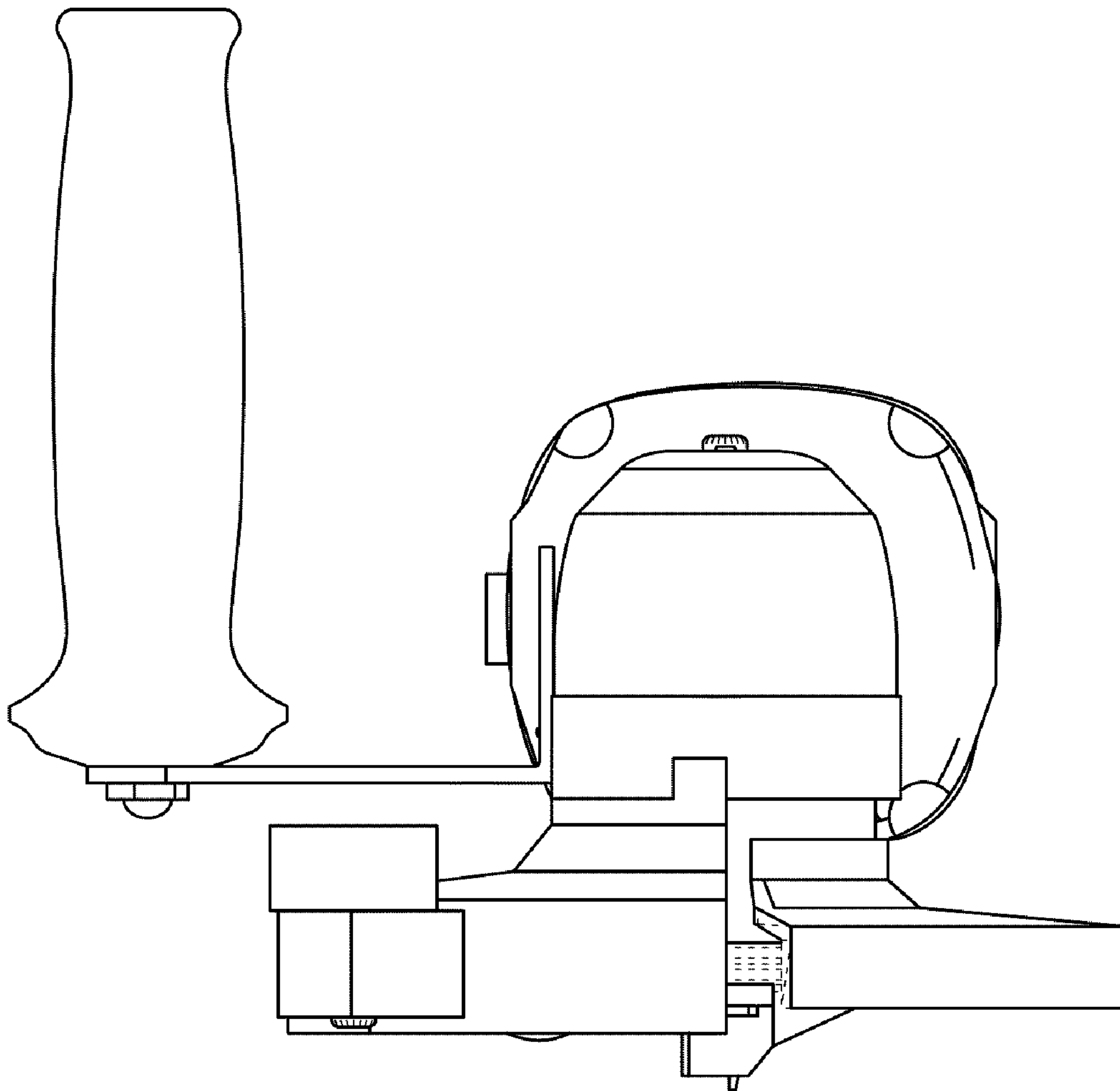


FIGURE 6

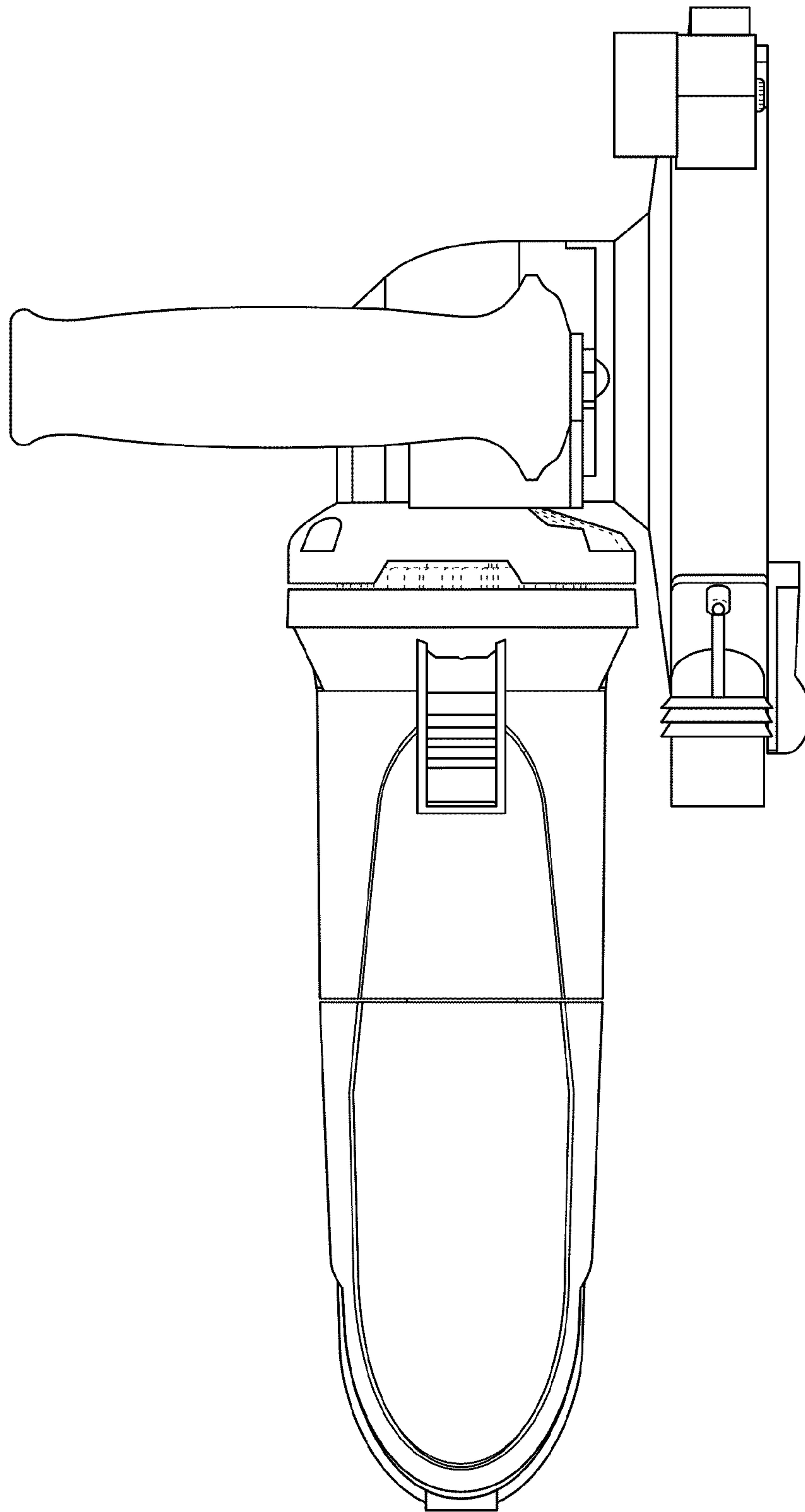


FIGURE 7