



US00D642882S

(12) **United States Design Patent**  
**Lane**

(10) **Patent No.:** **US D642,882 S**

(45) **Date of Patent:** **\*\* \*Aug. 9, 2011**

(54) **SOCKET DRIVE**

(76) Inventor: **Chistopher A Lane**, Medford, OR (US)

(\*) Notice: This patent is subject to a terminal disclaimer.

(\*\*) Term: **14 Years**

(21) Appl. No.: **29/366,164**

(22) Filed: **Jul. 20, 2010**

(51) **LOC (9) Cl.** ..... **08-05**

(52) **U.S. Cl.** ..... **D8/29**

(58) **Field of Classification Search** ..... D8/17,  
D8/21-29, 354, 107; 81/60, 177.1, 177.85,  
81/121.1, 124.3, 165-170, 110.1, 176.2,  
81/124.6, 176.1, 176.15, 177.2, 186; 16/110.1;  
D15/144.1, 143; 219/75, 227, 229, 121.16,  
219/121.18

See application file for complete search history.

(56) **References Cited**

**U.S. PATENT DOCUMENTS**

3,011,813	A *	12/1961	Arneson	.....	403/321
3,678,789	A	7/1972	Wilson		
3,877,327	A *	4/1975	Erm	.....	81/124.4
4,357,845	A *	11/1982	Cornia	.....	81/125
4,724,731	A *	2/1988	Onofrio	.....	81/119
D329,795	S *	9/1992	Bird et al.	.....	D8/70

D358,082	S *	5/1995	Trezza	.....	D8/70
D376,084	S *	12/1996	Karvinen	.....	D8/70
D379,420	S *	5/1997	Standlee et al.	.....	D8/70
D410,367	S *	6/1999	Applegate et al.	.....	D8/27
D472,778	S *	4/2003	Halstead	.....	D8/29
D493,081	S	7/2004	Chen		
D584,118	S	1/2009	Halstead		
D584,933	S *	1/2009	Jergenson et al.	.....	D8/29
D597,110	S *	7/2009	Anitua Aldecoa	.....	D15/139
D629,025	S *	12/2010	Greenleaf	.....	D15/128

\* cited by examiner

*Primary Examiner* — Raphael Barkai

*Assistant Examiner* — Randall Gholson

(74) *Attorney, Agent, or Firm* — Jerry Haynes Law

(57) **CLAIM**

The ornamental design for a socket drive, as shown and described.

**DESCRIPTION**

FIG. 1 is a front perspective view of a socket drive showing my new design;

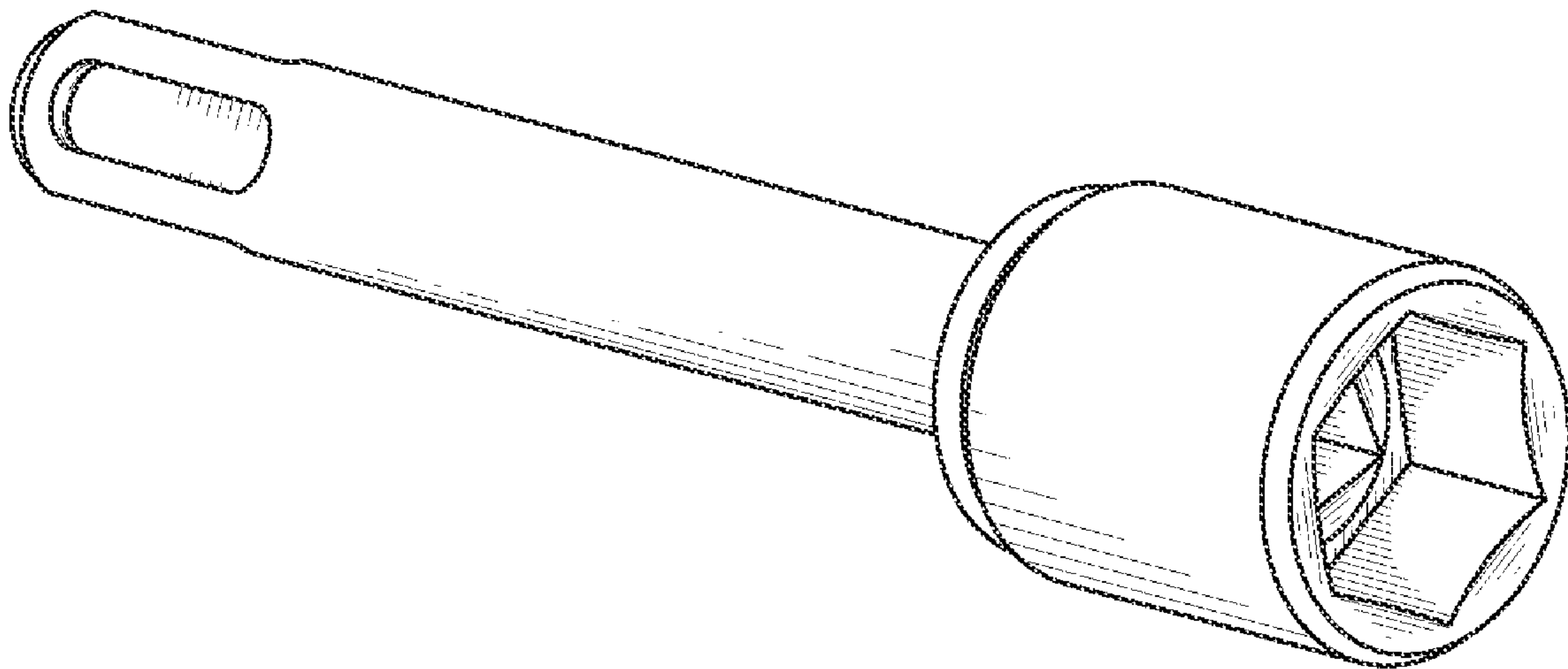
FIG. 2 is a top view thereof, the bottom view being the same image thereof;

FIG. 3 is a right side view thereof, the left side view being the same image thereof;

FIG. 4 is a back view thereof; and,

FIG. 5 is a front view thereof.

**1 Claim, 1 Drawing Sheet**



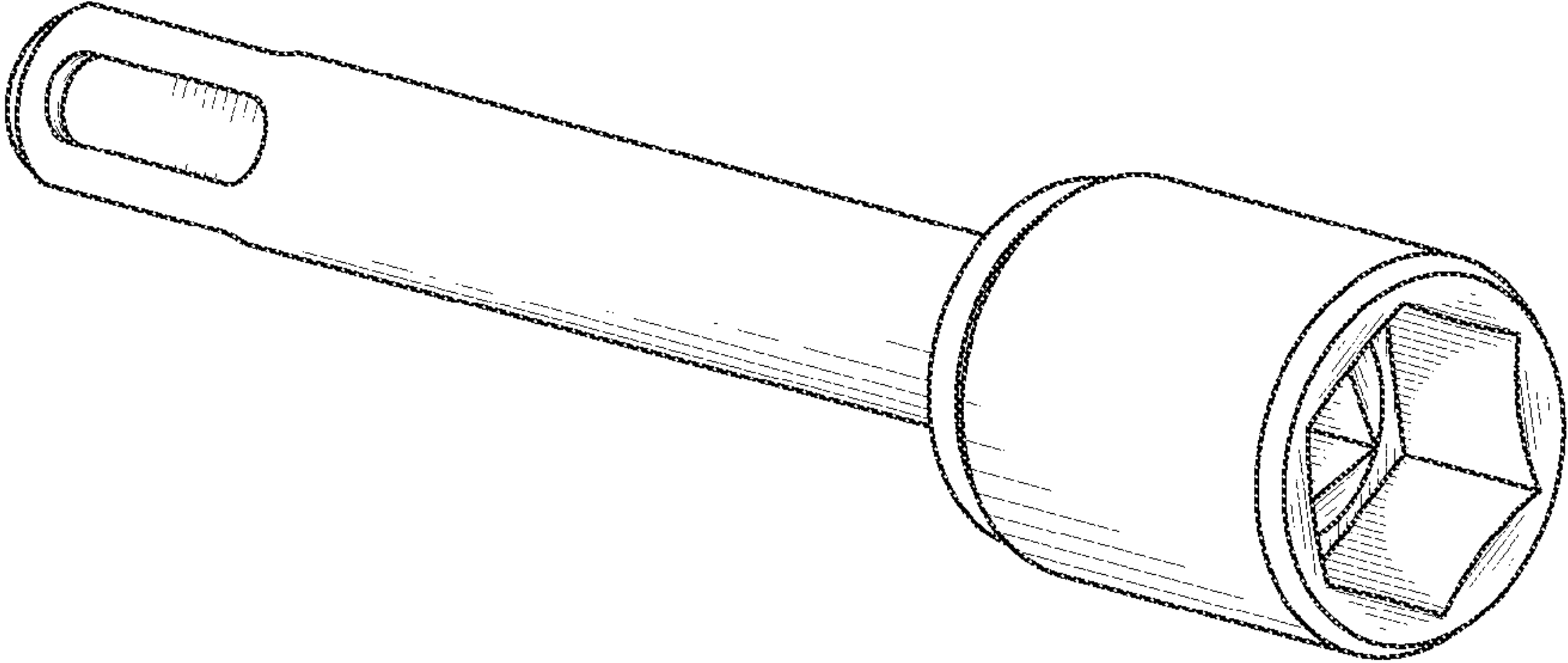


FIG. 1

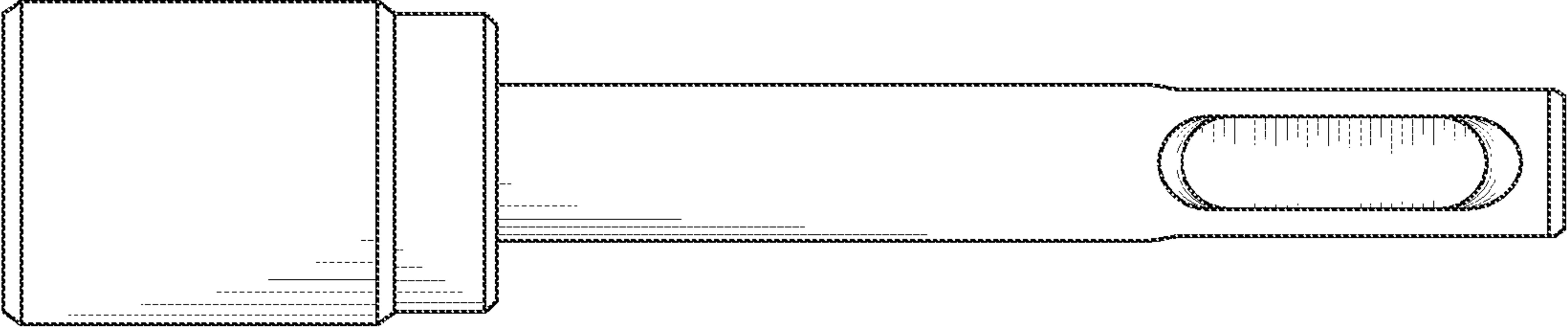


FIG. 2

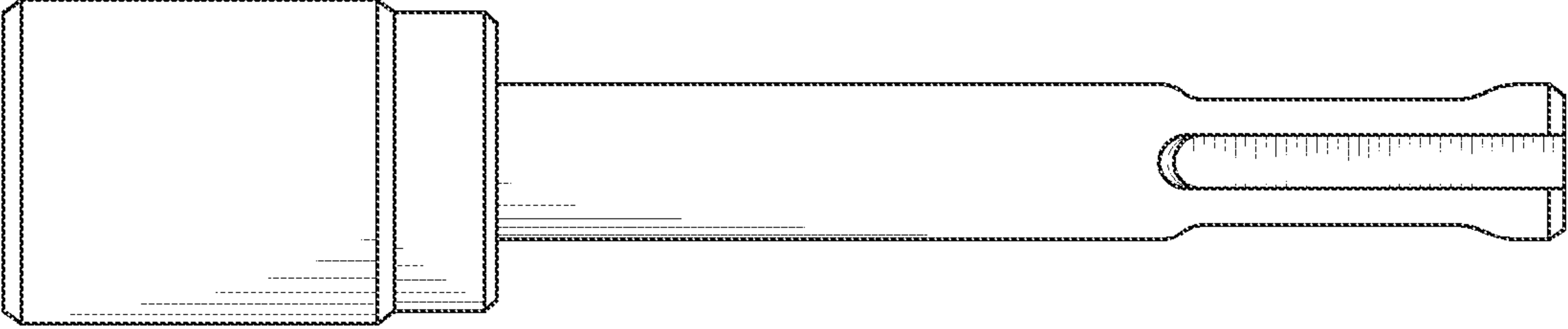


FIG. 3

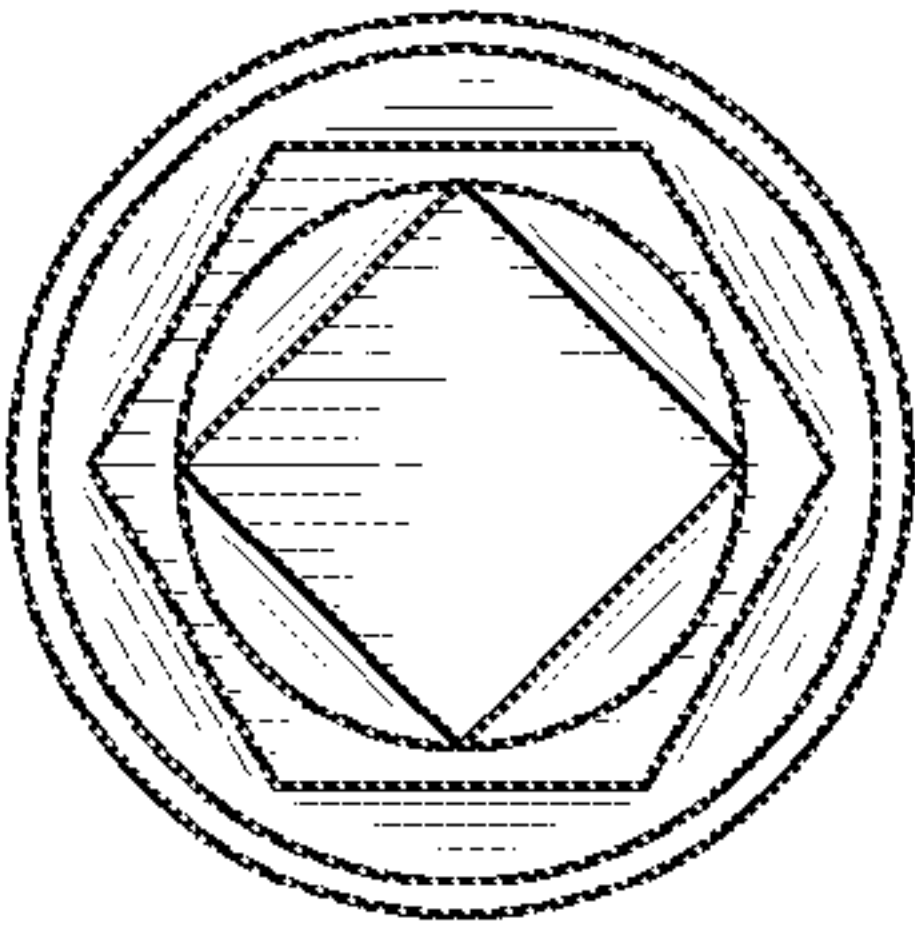


FIG. 4

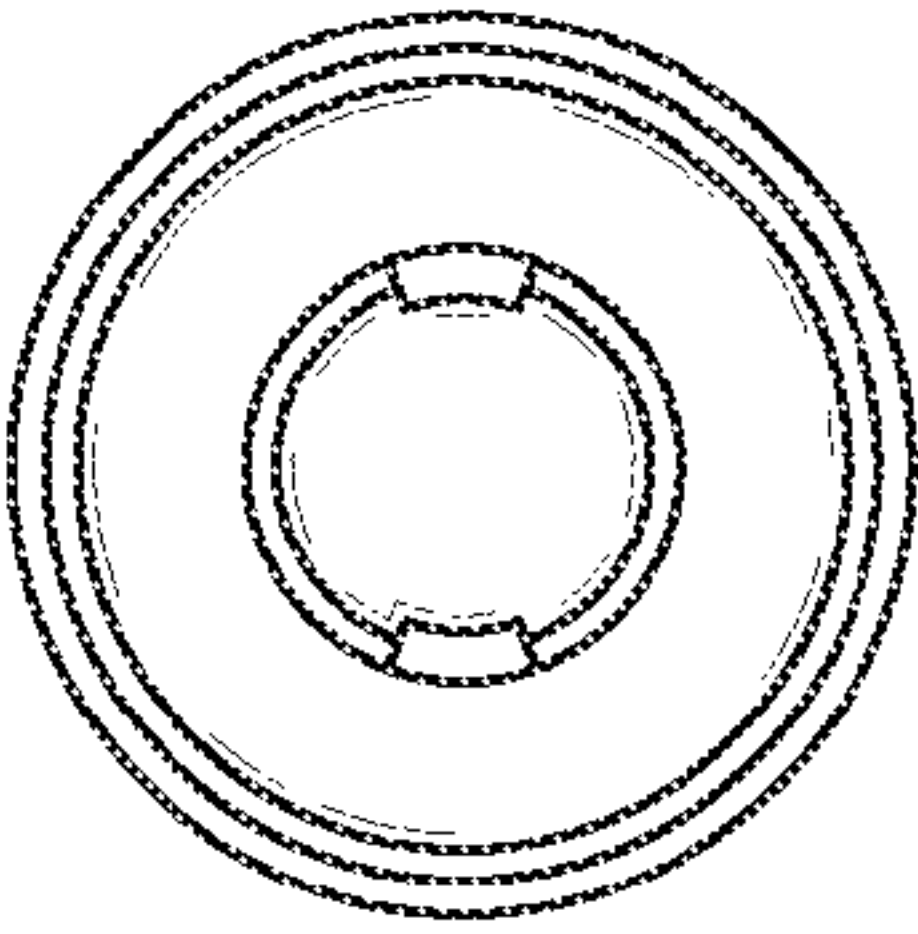


FIG. 5