



US00D642881S

(12) **United States Design Patent**
Christopher

(10) **Patent No.:** **US D642,881 S**

(45) **Date of Patent:** **** Aug. 9, 2011**

(54) **SOCKET WRENCH**

(75) Inventor: **Brent Christopher**, Portland, OR (US)

(73) Assignee: **Meridian International Co., Ltd.** (CN)

(**) Term: **14 Years**

(21) Appl. No.: **29/379,971**

(22) Filed: **Nov. 29, 2010**

(30) **Foreign Application Priority Data**

May 28, 2010 (CN) 2010 2 0208332

(51) **LOC (9) Cl.** **08-05**

(52) **U.S. Cl.** **D8/25**

(58) **Field of Classification Search** D8/21-29,
D8/354, 107; 81/60, 177.1, 177.85, 121.1,
81/124.3, 165-170, 110.1, 176.2, 124.6,
81/176.1, 176.15, 177.2, 186; 16/110.1;
D15/144.1, 143; 219/75, 227, 229, 121.16,
219/121.18

See application file for complete search history.

(56) **References Cited**

U.S. PATENT DOCUMENTS

4,259,883	A	4/1981	Carlson	
4,328,720	A *	5/1982	Shiel	81/63
4,901,608	A	2/1990	Shieh	
5,076,121	A	12/1991	Fosella	
5,178,047	A	1/1993	Arnold et al.	
5,199,330	A	4/1993	Arnold et al.	
5,199,335	A	4/1993	Arnold et al.	
5,454,283	A *	10/1995	Stefano	81/58.2
5,636,557	A	6/1997	Ma	

(Continued)

OTHER PUBLICATIONS

Gearwrench—Magnetic Oil Drain Plug Sockets—Screen print from webpage http://www.gearwrench.com/catalog/specialty_tools/magnetic_oil_drain_plug_sockets/, dated Dec. 2, 2010.

(Continued)

Primary Examiner — Raphael Barkai

Assistant Examiner — Randall Gholson

(74) *Attorney, Agent, or Firm* — Jason R. Sytsma; Shuttleworth & Ingersoll, PLC

(57) **CLAIM**

The ornamental design for a socket wrench, as shown.

DESCRIPTION

FIG. 1 is a perspective view of a socket wrench according to the invention illustrating the top and right side of the invention;

FIG. 2 is a top elevation view of the socket wrench of FIG. 1; FIG. 3 is a bottom elevation view of the socket wrench of FIG. 1;

FIG. 4 is a right side elevation view of the socket wrench of FIG. 1;

FIG. 5 is a left side elevation view of the socket wrench of FIG. 1;

FIG. 6 is a front side elevation view of the socket wrench of FIG. 1;

FIG. 7 is a back side elevation view of the socket wrench of FIG. 1

FIG. 8 is a perspective view of a second embodiment of the socket wrench of FIG. 1, the difference being the disclaiming as indicated in the drawing by the location of the broken lines and the removal of the flex-head;

FIG. 9 is a top elevation view of the socket wrench of FIG. 8; FIG. 10 is a bottom elevation view of the socket wrench of FIG. 8;

FIG. 11 is a right side elevation view of the socket wrench of FIG. 8;

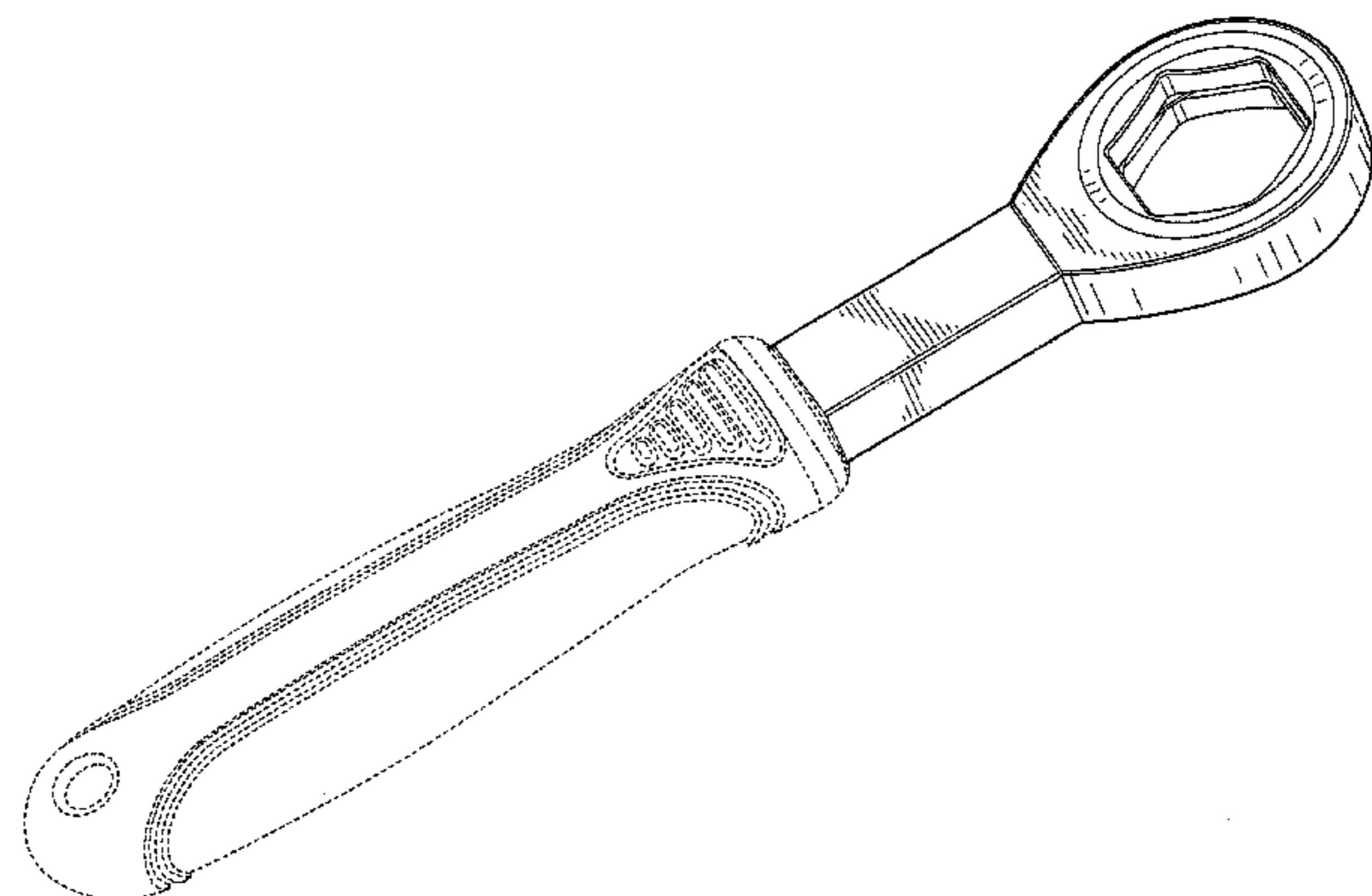
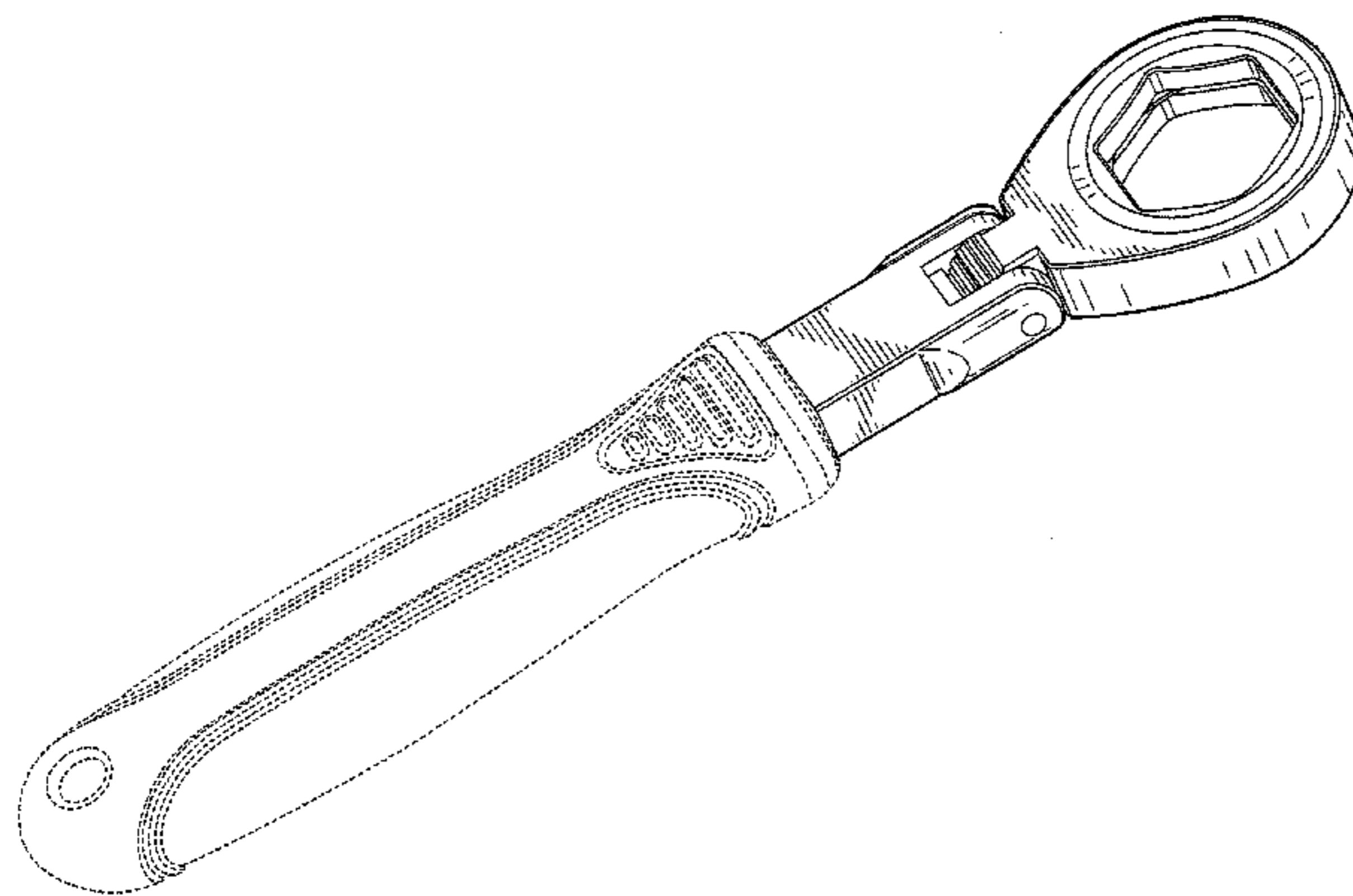
FIG. 12 is a left side elevation view of the socket wrench of FIG. 8;

FIG. 13 is a front side elevation view of the socket wrench of FIG. 8; and,

FIG. 14 is a back side elevation view of the socket wrench of FIG. 8.

Petitioner disclaims the shape and configuration of the features of those portions shown in broken lines.

1 Claim, 10 Drawing Sheets



US D642,881 S

Page 2

U.S. PATENT DOCUMENTS

5,848,561	A	12/1998	Hsieh	
5,857,390	A	1/1999	Whiteford	
5,901,620	A	5/1999	Arnold	
6,000,302	A	12/1999	Chiang	
6,134,990	A	10/2000	Ling et al.	
6,148,695	A	11/2000	Hu	
6,216,567	B1 *	4/2001	Hu	81/177.9
6,263,767	B1	7/2001	Hu	
6,282,991	B1	9/2001	Hu	
6,286,396	B1 *	9/2001	Johnson	81/60
6,295,898	B1	10/2001	Hsieh	
6,301,998	B1	10/2001	Hu	
6,305,246	B1	10/2001	Horvath	
6,405,621	B1	6/2002	Krivec et al.	
6,450,068	B1	9/2002	Hu	
6,453,779	B2	9/2002	Hu	
6,457,387	B1	10/2002	Hu	
6,481,315	B1	11/2002	Chang et al.	
6,568,299	B2	5/2003	Hu	
6,644,148	B2	11/2003	Hu	
6,647,832	B2	11/2003	Hu	
6,722,234	B2	4/2004	Hu	
6,732,614	B2	5/2004	Hu	
6,860,175	B2	3/2005	Hu	
6,877,404	B2 *	4/2005	Chen	81/177.7
6,918,323	B2	7/2005	Arnold et al.	
6,971,286	B2	12/2005	Hu	
7,051,623	B2	5/2006	Chaconas	
7,062,992	B2 *	6/2006	Spirer	81/57.3
7,066,059	B1 *	6/2006	Hsieh	81/177.7
D525,495	S *	7/2006	Hsieh	D8/28
7,073,412	B1	7/2006	Arnold	
7,185,566	B2	3/2007	Arnold et al.	
7,222,557	B2	5/2007	Li et al.	
7,231,851	B2	6/2007	Tuan-Mu	
7,311,019	B2	12/2007	Arnold et al.	
7,318,366	B2	1/2008	Lee et al.	
D580,721	S *	11/2008	Chen	D8/25
7,478,577	B1	1/2009	Wheeler	
2005/0178247	A1	8/2005	Arnold et al.	
2005/0247167	A1	11/2005	Chaconas et al.	
2007/0204727	A1 *	9/2007	Lee et al.	81/177.9
2008/0047402	A1 *	2/2008	Lin	81/177.85
2008/0092696	A1	4/2008	Arnold et al.	
2009/0049957	A1 *	2/2009	Chang	81/60
2010/0050829	A1 *	3/2010	Chen	81/489

OTHER PUBLICATIONS

Facom 464.JIPB Socket Set—Promotional piece of literature dated Sep. 2009.

* cited by examiner

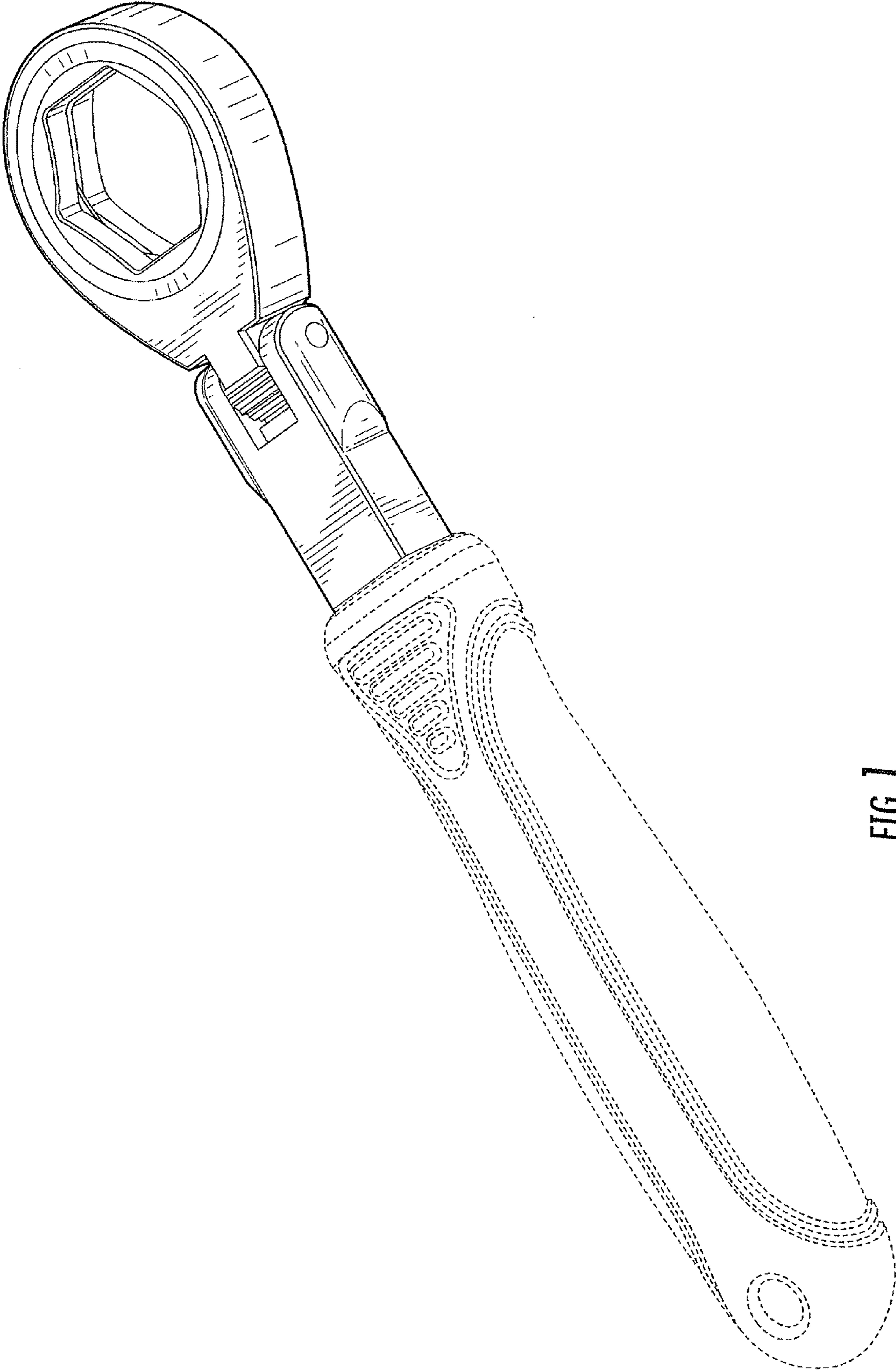


FIG. 1

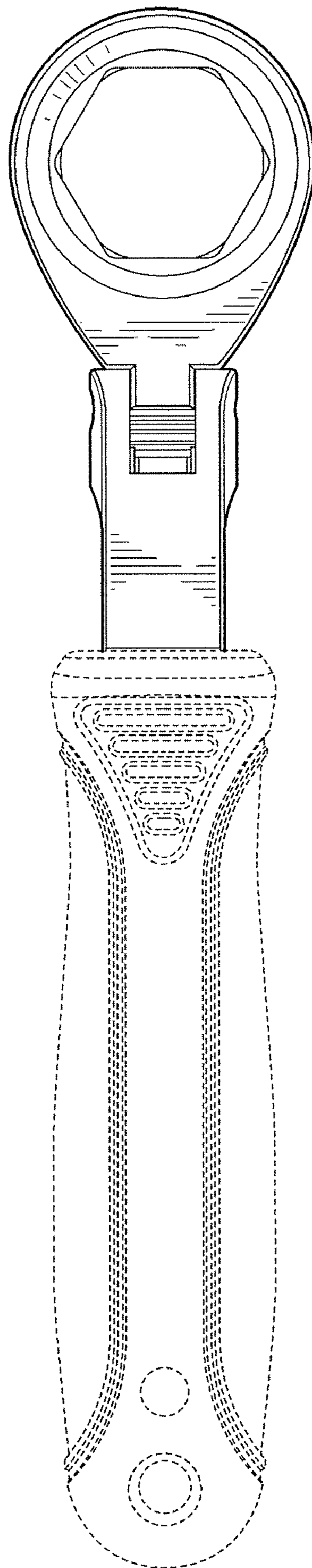


FIG. 2

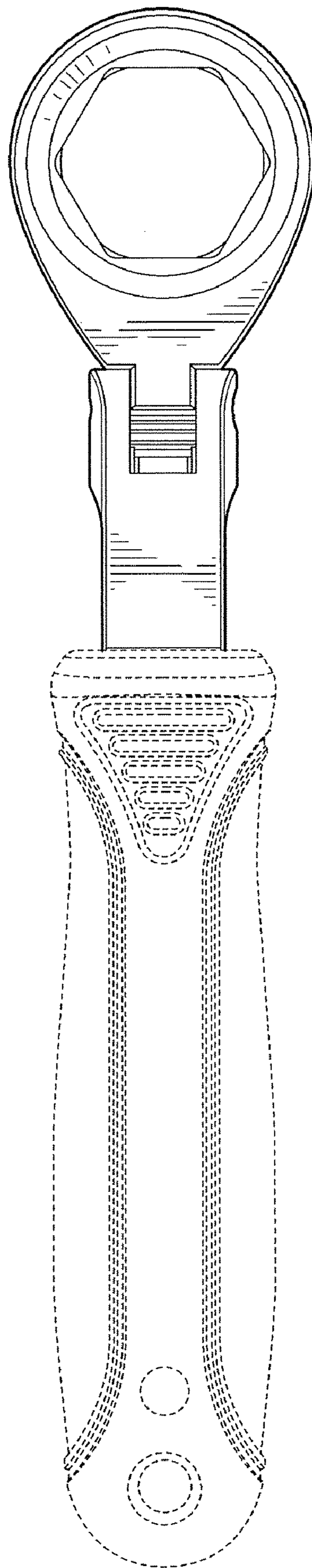


FIG. 3

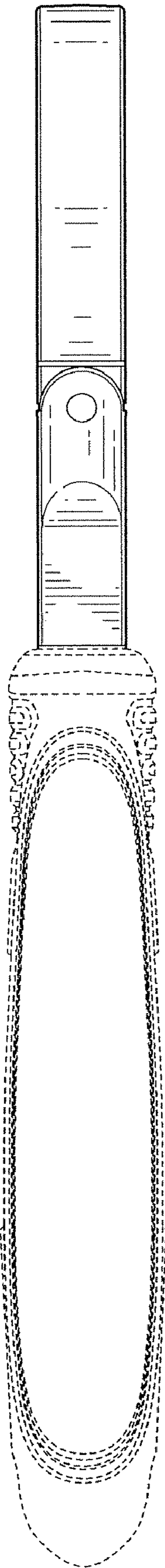


FIG. 4

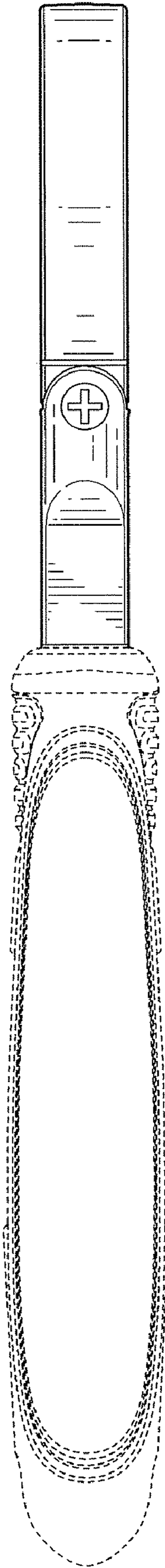


FIG. 5

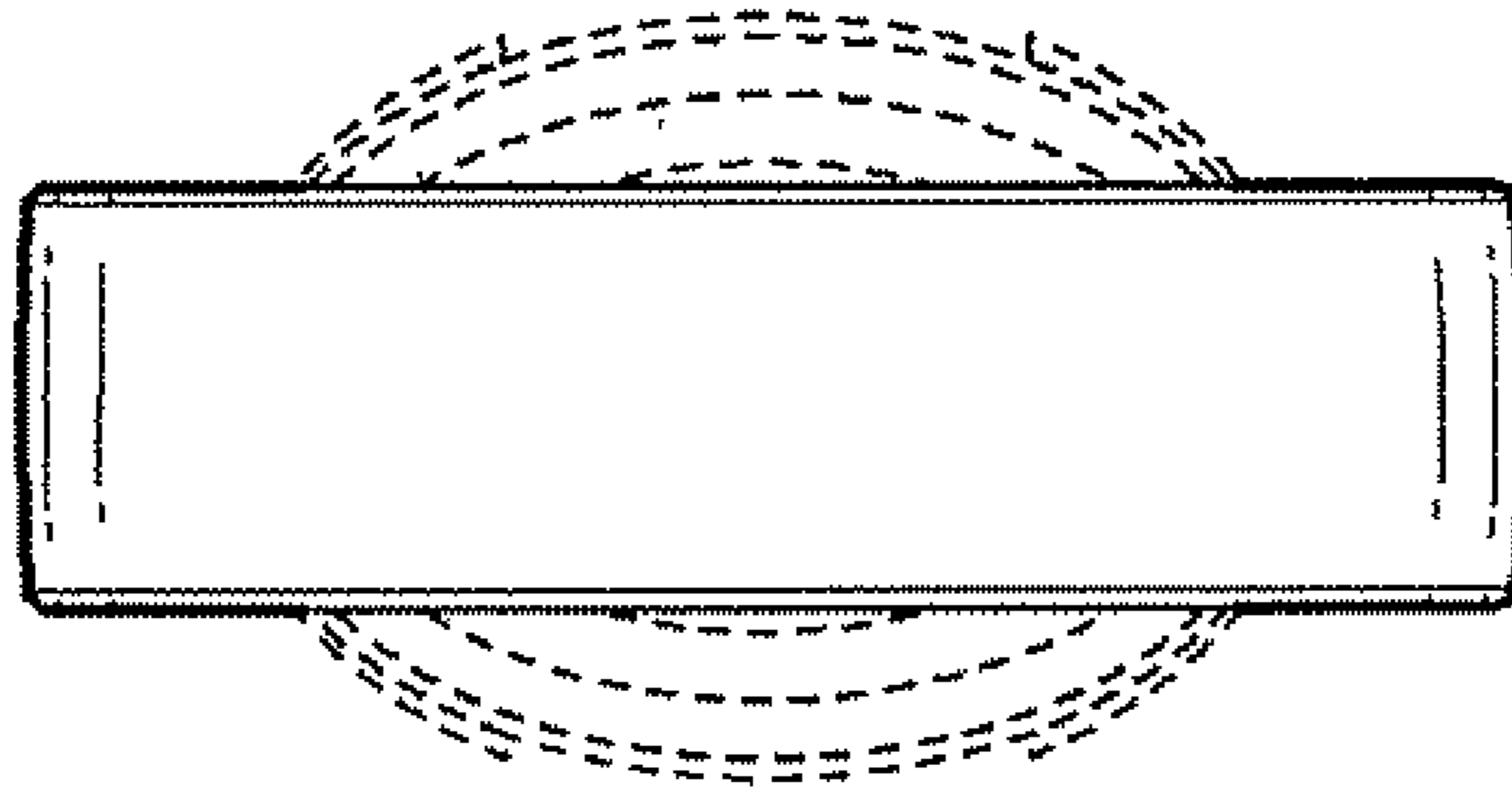


FIG. 6

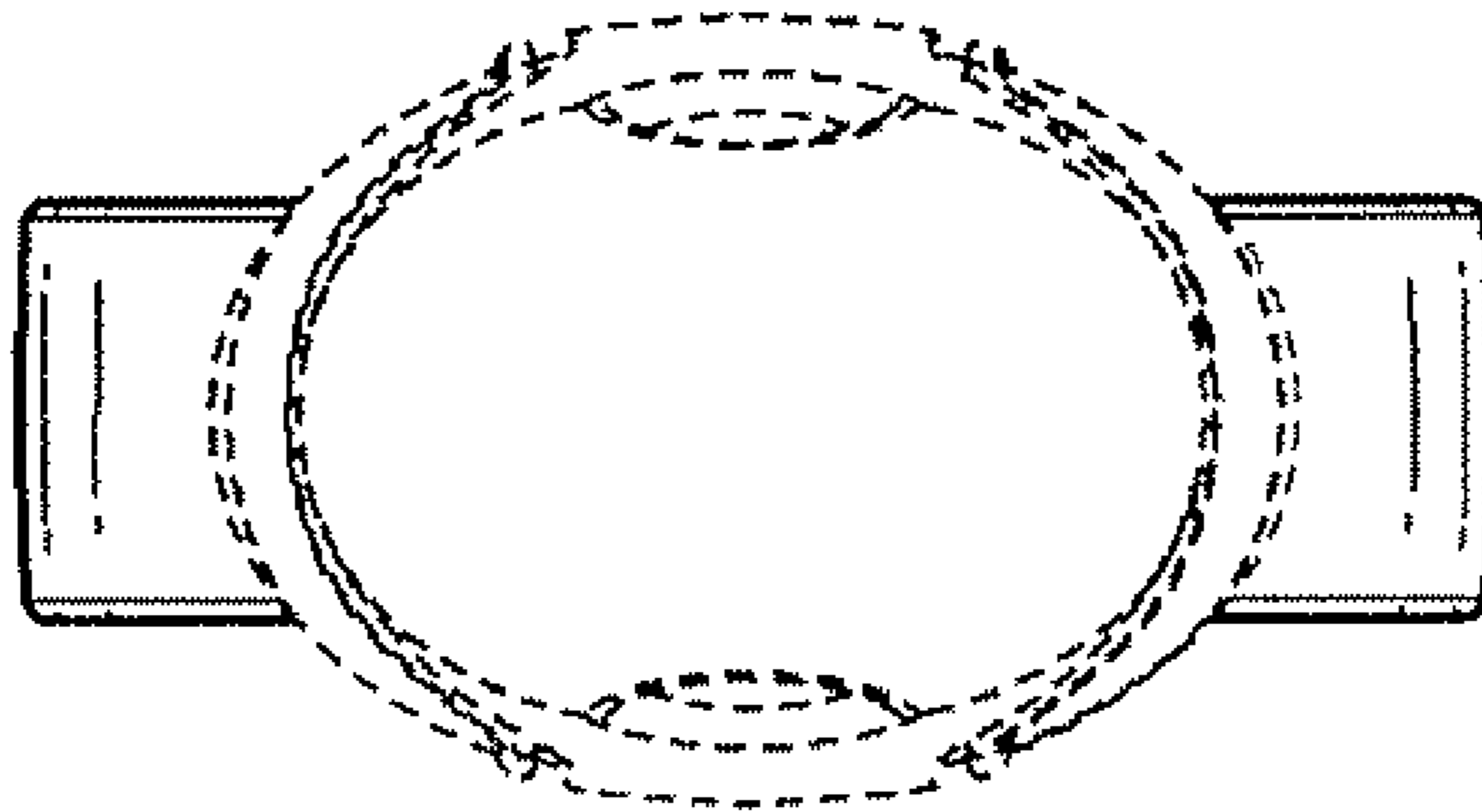


FIG. 7

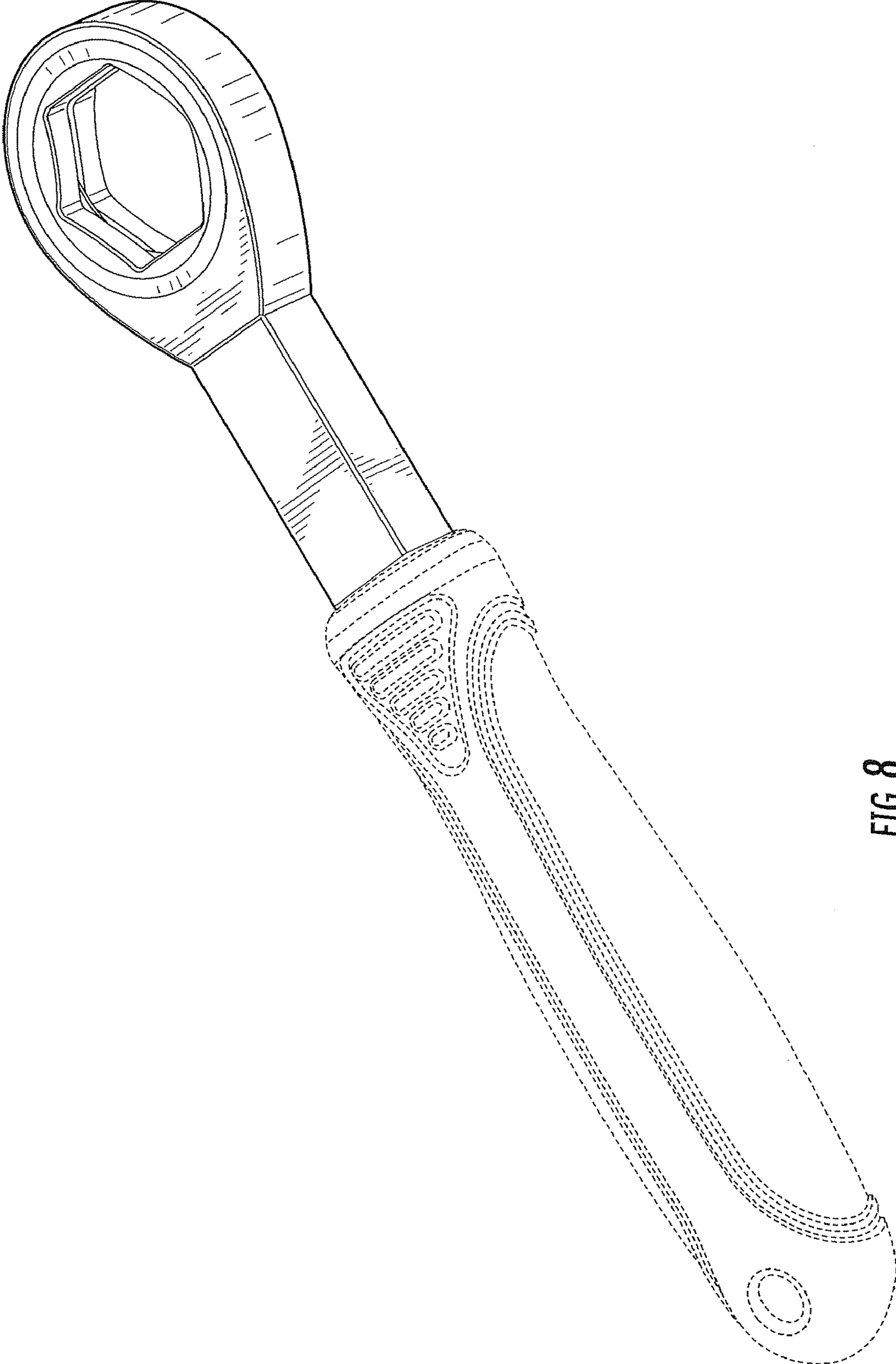


FIG. 8

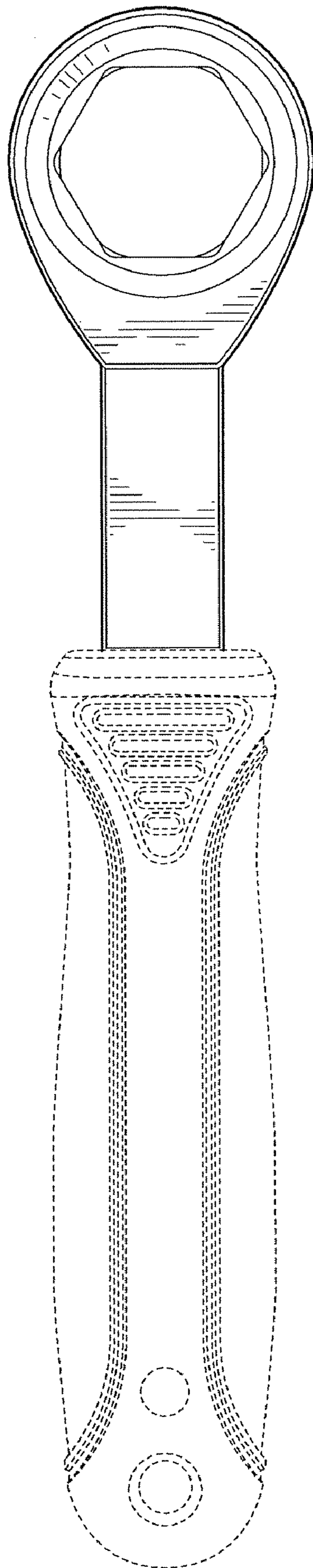


FIG. 9

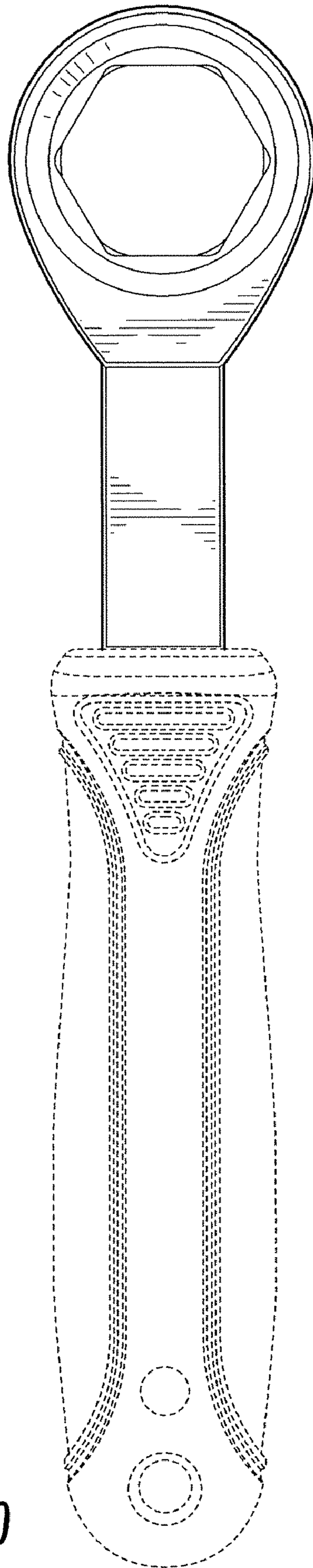


FIG. 10

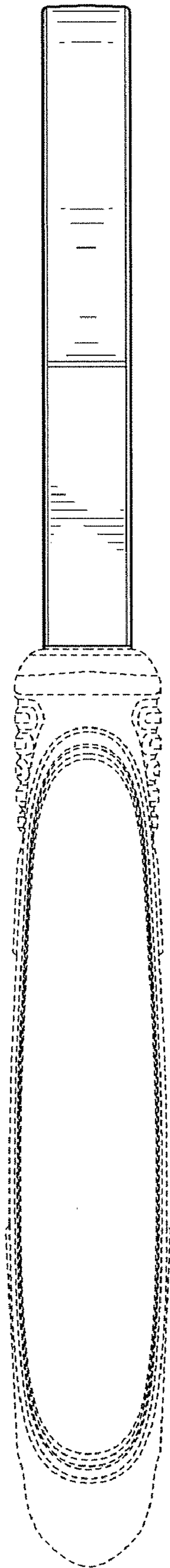


FIG. 11

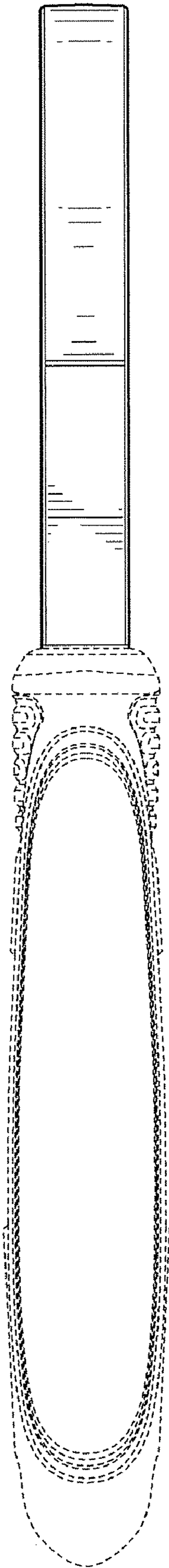


FIG. 12

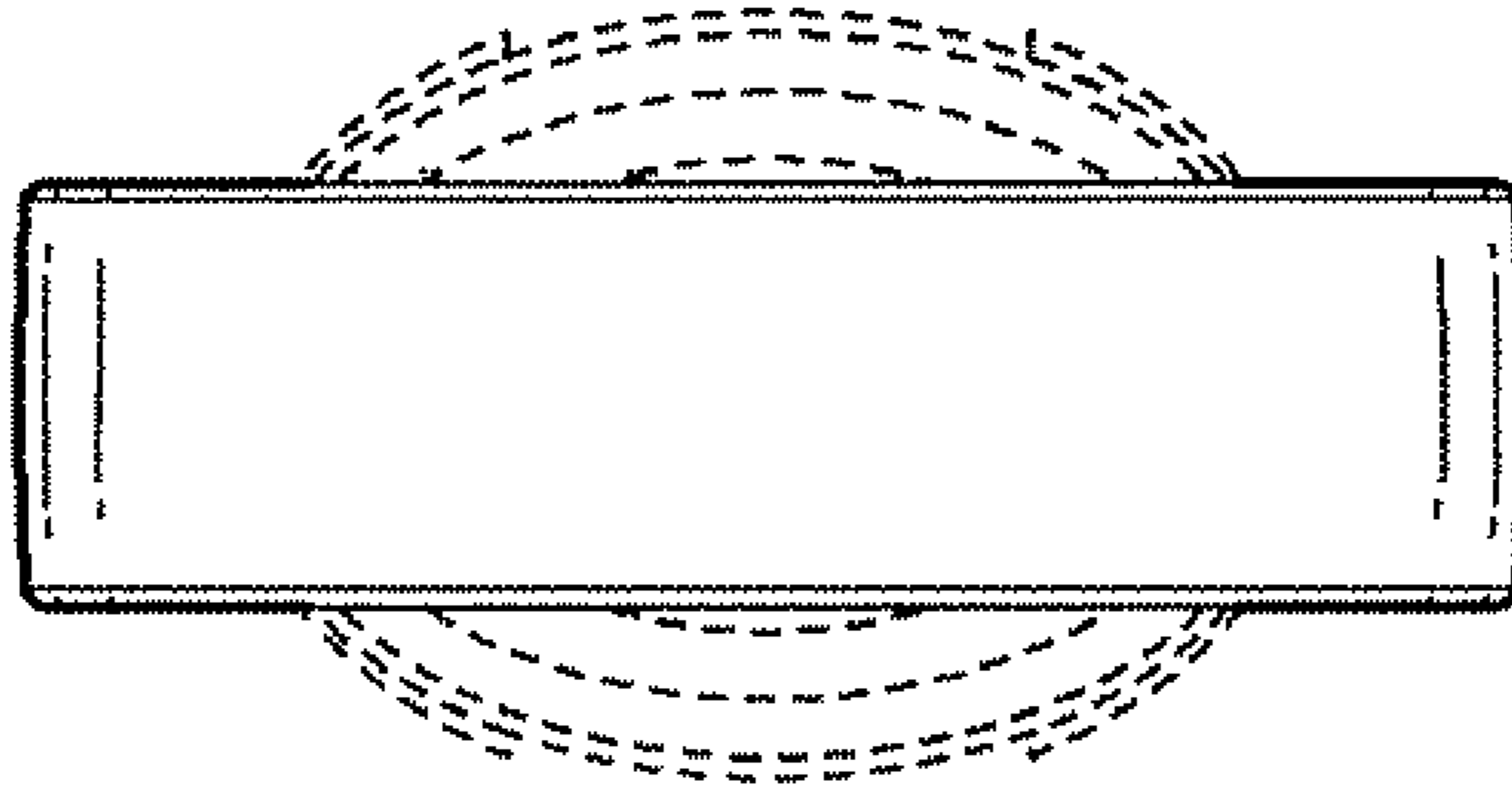


FIG. 13

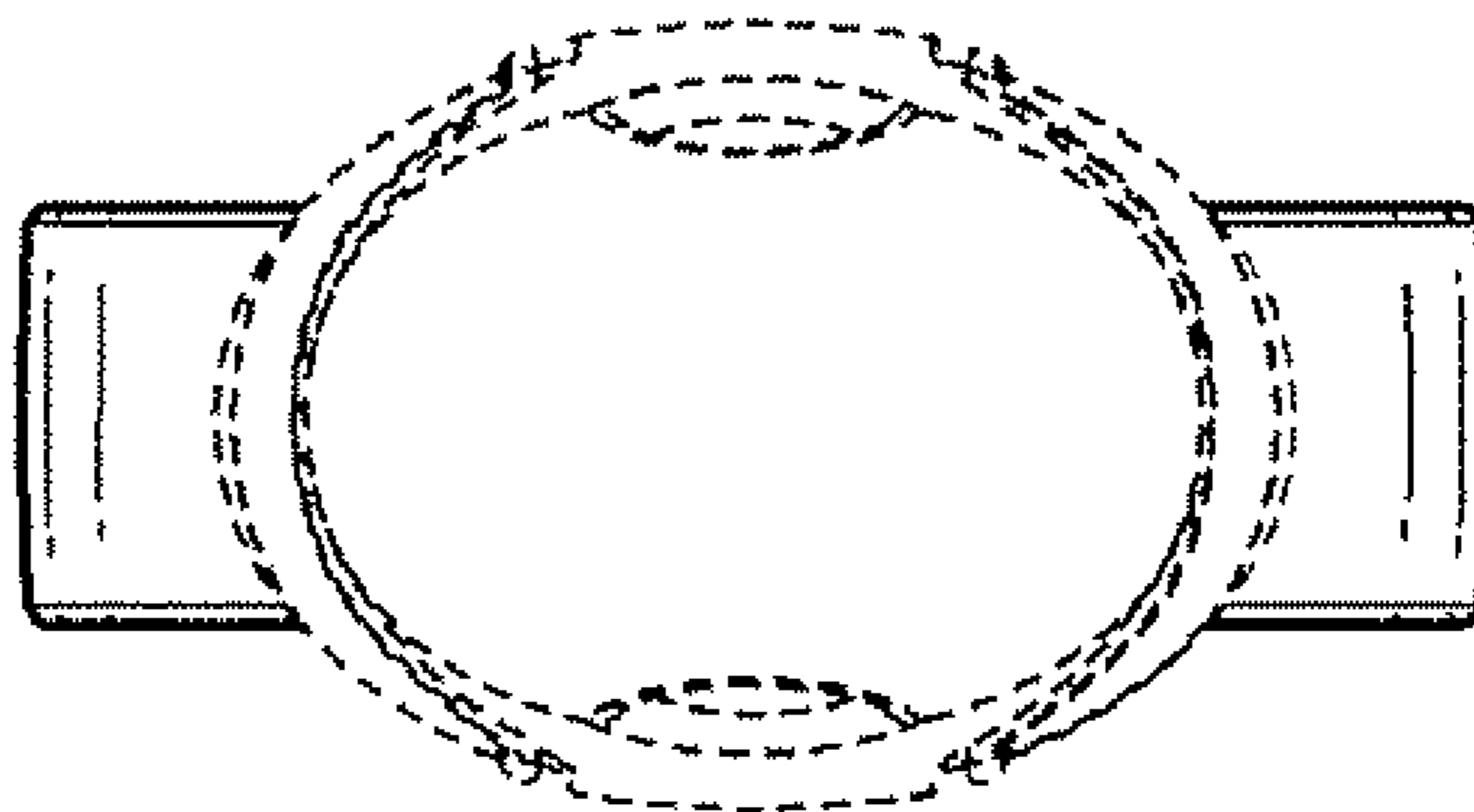


FIG. 14