



US00D642880S

(12) **United States Design Patent**
Filho

(10) **Patent No.:** **US D642,880 S**

(45) **Date of Patent:** **** Aug. 9, 2011**

(54) **NAIL PLIERS BLADE**

(75) Inventor: **Michel Merheje Filho**, Barueri (BR)

(73) Assignee: **Michel Merheje e Cia. Ltda.**, São Paulo (BR)

(**) Term: **14 Years**

(21) Appl. No.: **29/355,239**

(22) Filed: **Feb. 4, 2010**

(30) **Foreign Application Priority Data**

Aug. 4, 2009 (BR) DI6902983-0

(51) **LOC (9) Cl.** **08-03**

(52) **U.S. Cl.** **D8/20**

(58) **Field of Classification Search** D8/16,
D8/18-20, 64, 95-104; D22/117, 118; D24/146;
7/118, 148; 30/142, 144, 165, 166.3, 272.1,
30/314, 320, 346, 346.5, 346.55, 346.56,
30/349, 351, 355-357

See application file for complete search history.

(56) **References Cited**

U.S. PATENT DOCUMENTS

D60,009 S * 12/1921 Biehl, Sr. D8/18
1,519,816 A * 12/1924 Ward D8/18
2,229,614 A 1/1941 Tellier et al.
3,006,071 A * 10/1961 Griffin D8/18
D200,277 S * 2/1965 Peterson D8/98

4,819,673 A * 4/1989 McMullen, Jr. 30/28
D304,667 S * 11/1989 Hutton D8/18
5,023,997 A 6/1991 Salvi
5,964,033 A 10/1999 Wolf
D427,376 S * 6/2000 Scott D28/44.1
D464,238 S * 10/2002 Kelly-Lindsey et al. D8/16
7,062,855 B2 6/2006 Merheje
7,210,230 B2 5/2007 Wurzel
D612,220 S * 3/2010 Brundige D8/16
2004/0148779 A1 * 8/2004 Choi et al. 30/28

FOREIGN PATENT DOCUMENTS

BR MU8700204-3 9/2008

* cited by examiner

Primary Examiner — Garth Rademaker

(74) *Attorney, Agent, or Firm* — Hamre, Schumann, Mueller & Larson, P.C.

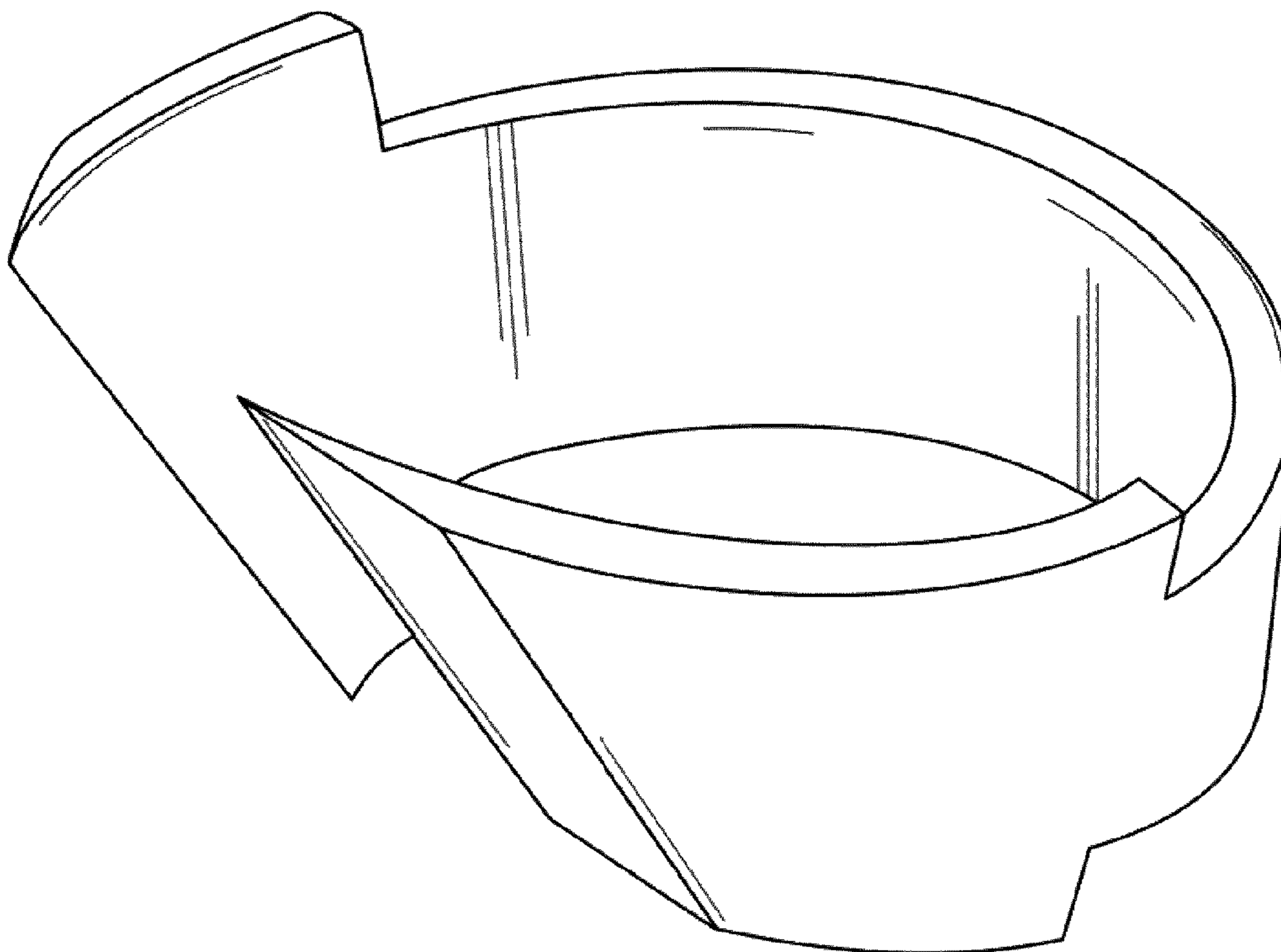
(57) **CLAIM**

The ornamental design for a nail pliers blade, as shown and described.

DESCRIPTION

FIG. 1 is a perspective view of a nail pliers blade;
FIG. 2 is a front view thereof;
FIG. 3 is a rear view thereof;
FIG. 4 is a bottom plan view thereof;
FIG. 5 is a top plan view thereof; and,
FIG. 6 is a side view thereof.

1 Claim, 6 Drawing Sheets



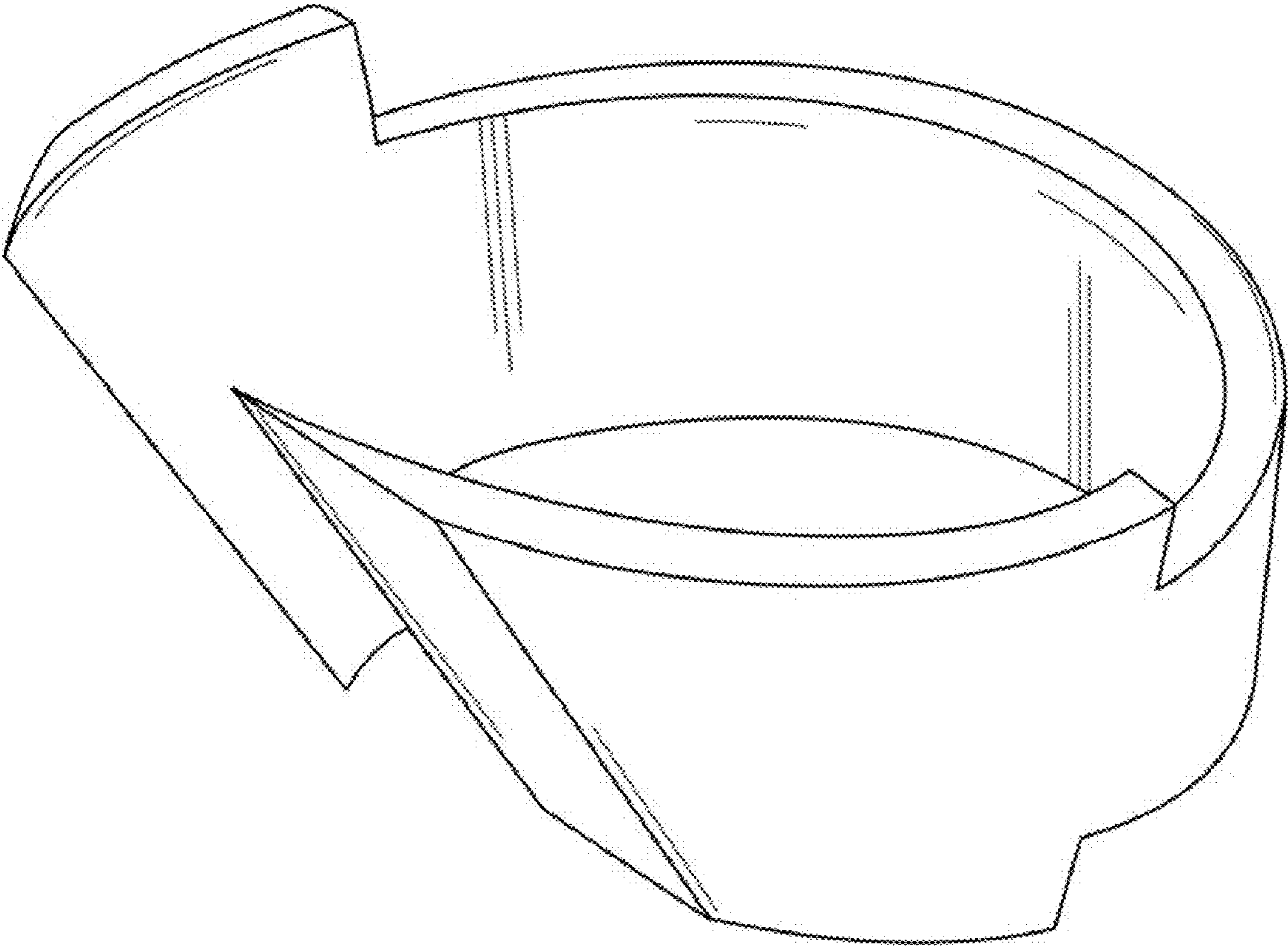


Fig. 1

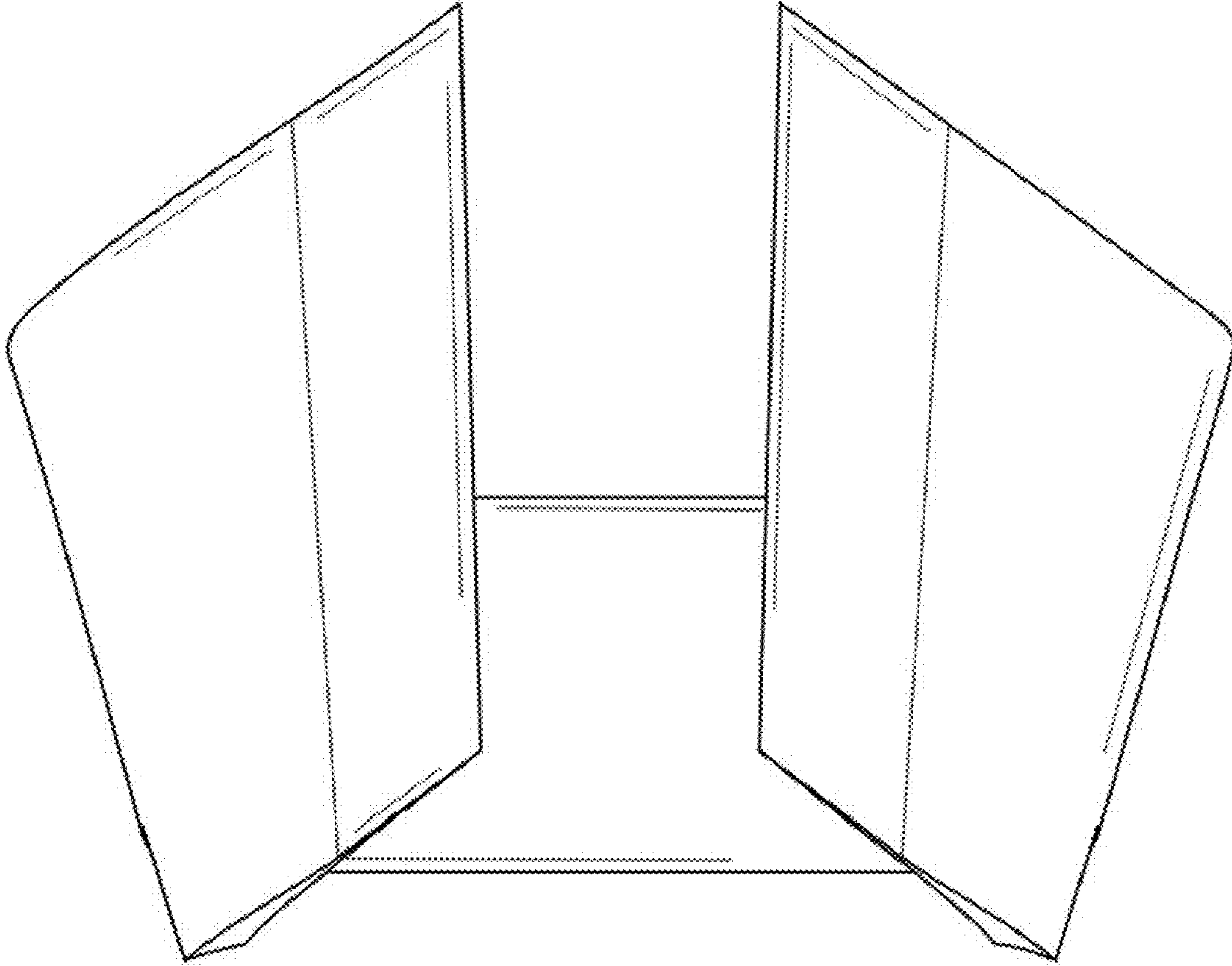


Fig. 2

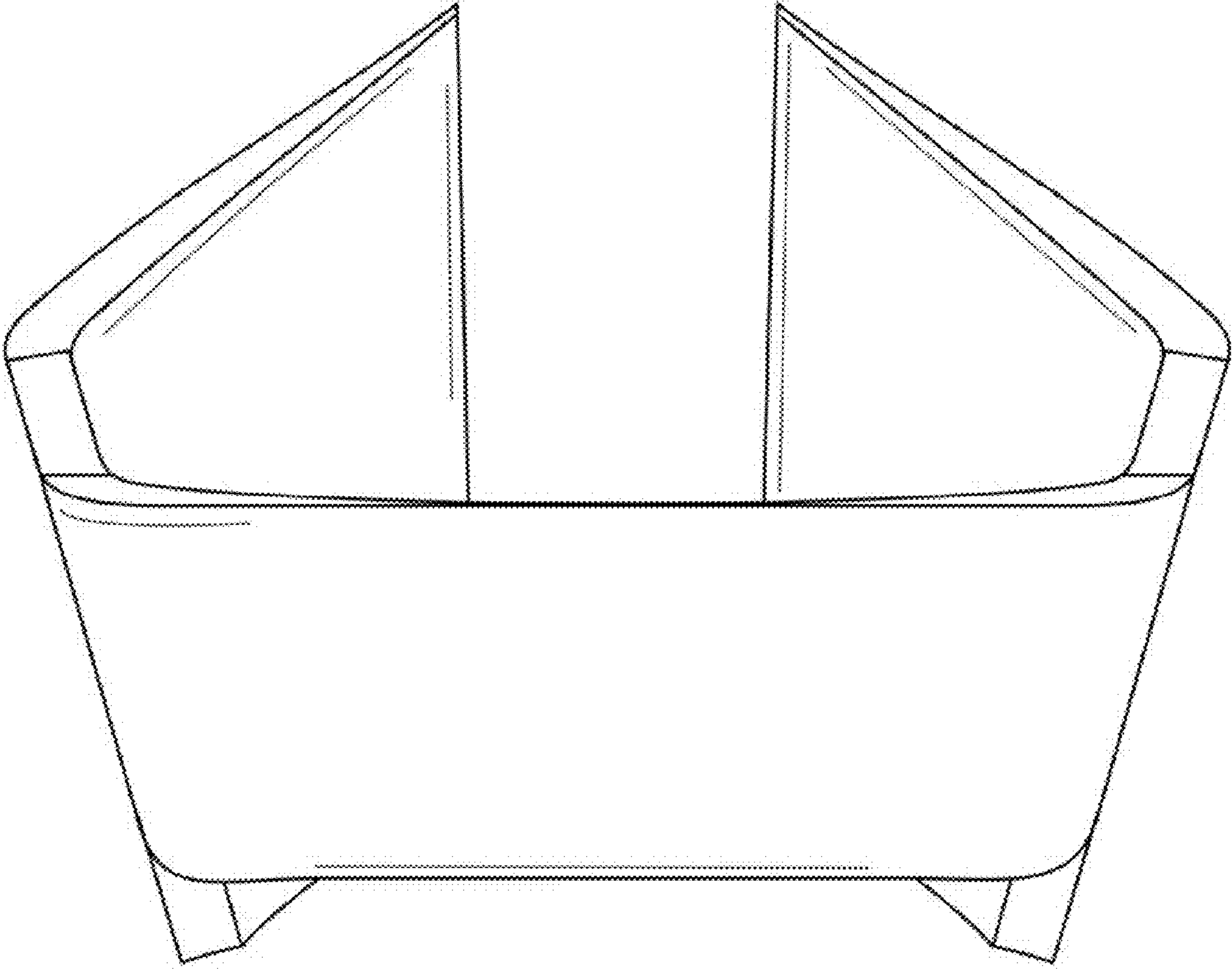


Fig. 3

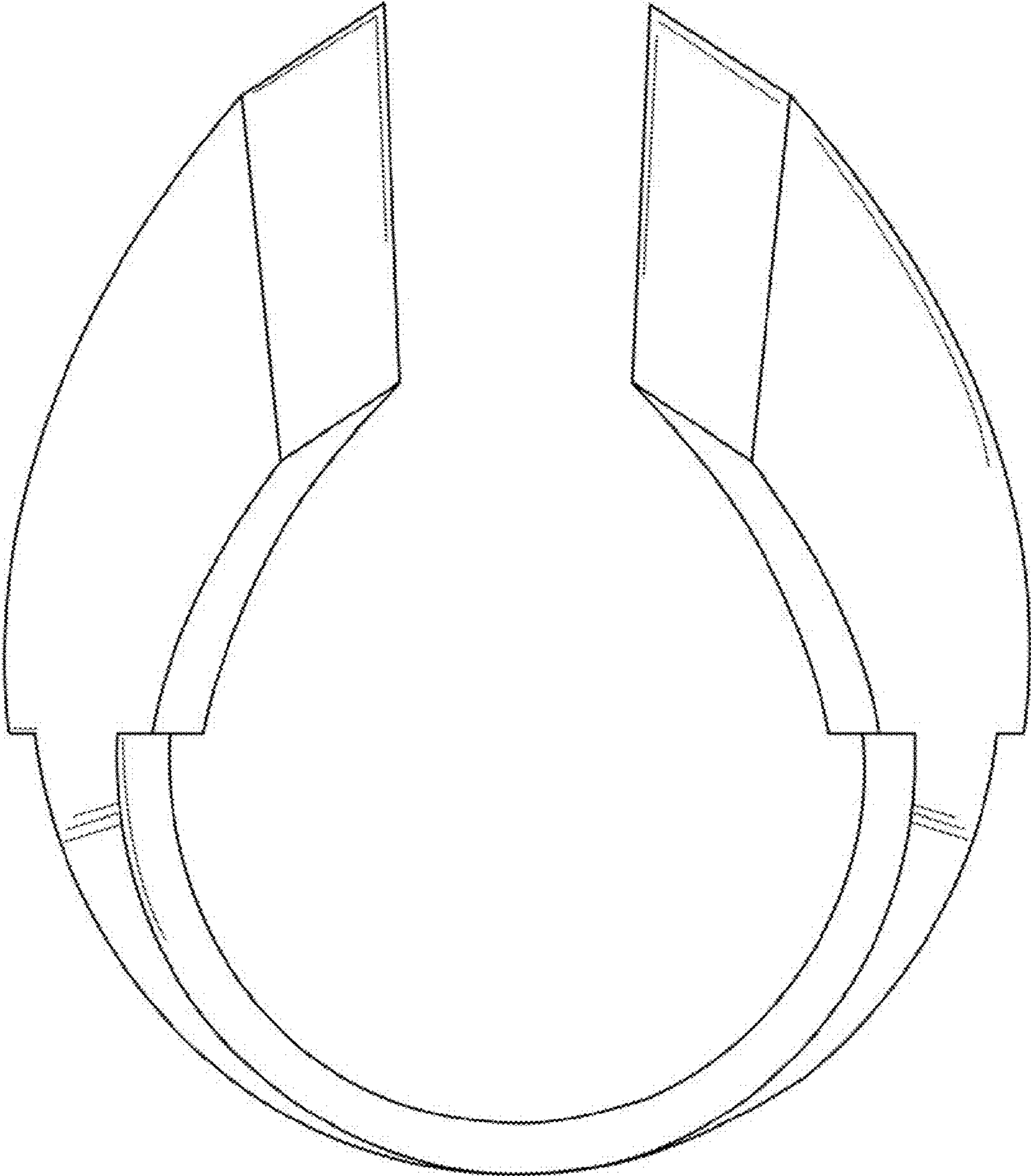


Fig. 4

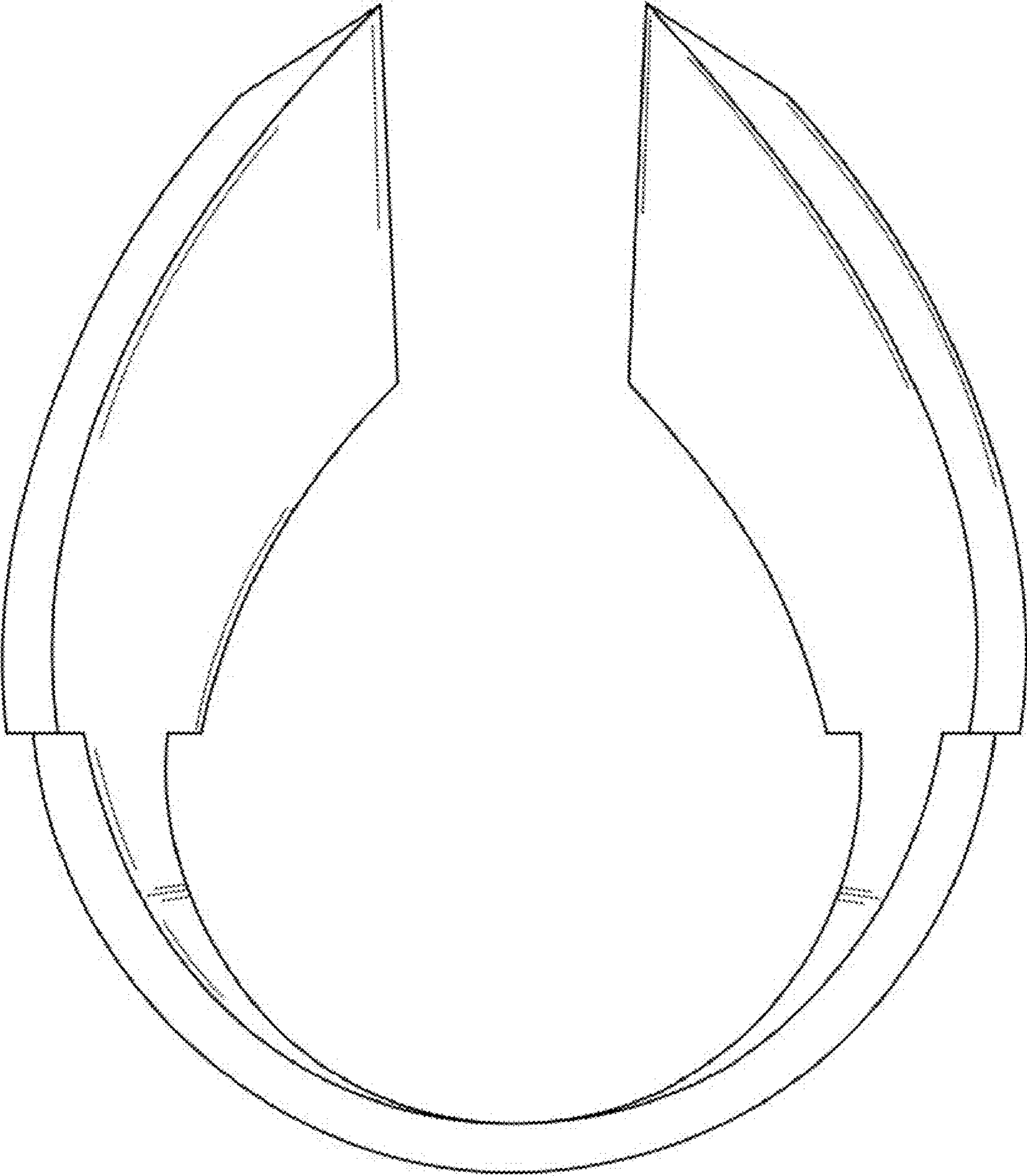


Fig. 5

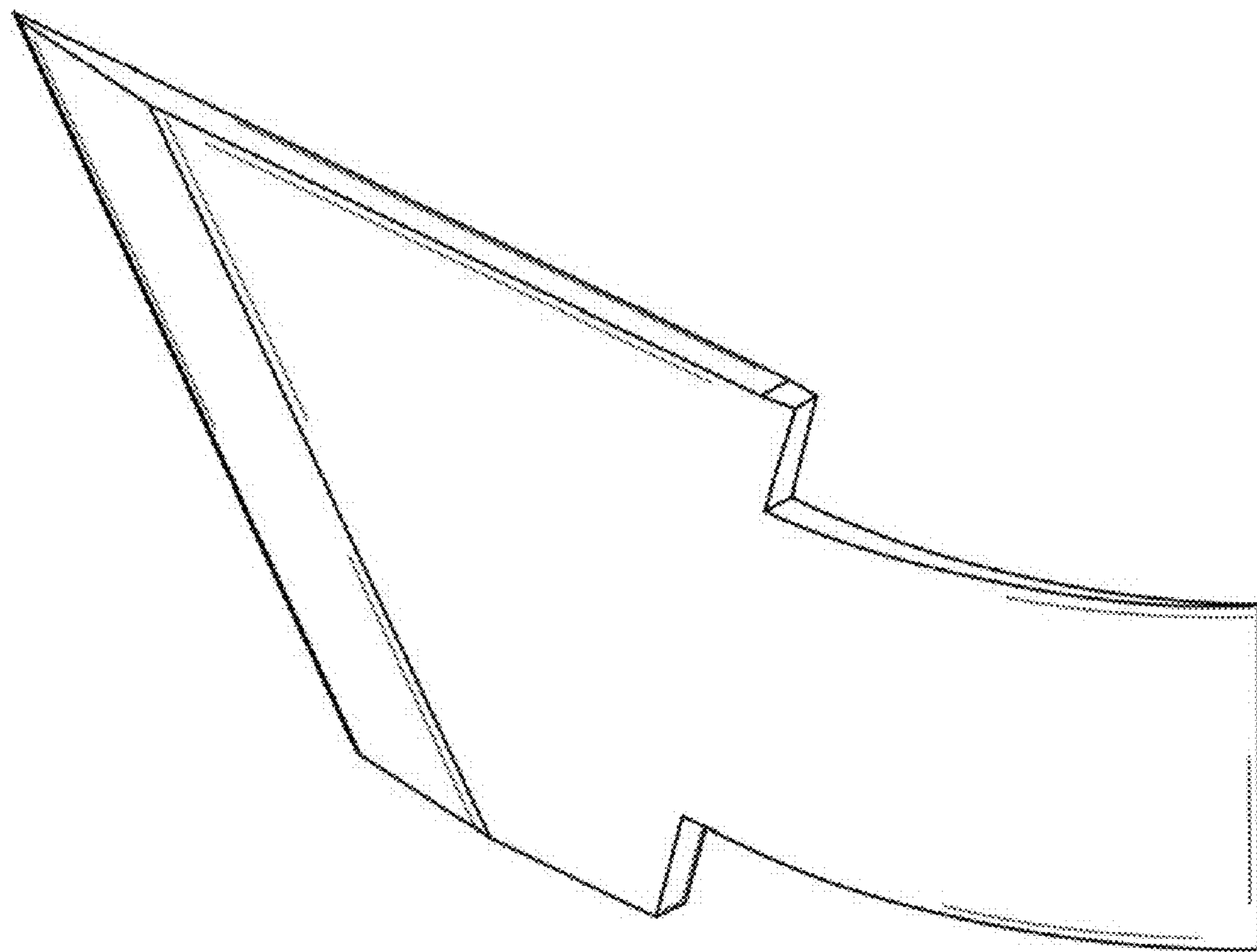


Fig. 6