



US00D642878S

(12) **United States Design Patent**
Bhasin

(10) **Patent No.:** **US D642,878 S**

(45) **Date of Patent:** **** Aug. 9, 2011**

(54) **SCISSORS**

(75) Inventor: **Hanuman Prasad Bhasin**, Suita (JP)

(73) Assignee: **B.H.P. Industries Co., Ltd.**, Suita-shi (JP)

(**) Term: **14 Years**

(21) Appl. No.: **29/379,611**

(22) Filed: **Nov. 22, 2010**

(30) **Foreign Application Priority Data**

Oct. 22, 2010 (JP) 2010-025345

(51) **LOC (9) Cl.** **07-04**

(52) **U.S. Cl.** **D7/693**

(58) **Field of Classification Search** D7/693,
D7/672, 673, 368, 699; D8/56-58; 7/125,
7/129, 132-135; 30/134, 135, 142, 146,
30/149, 150, 194, 223, 258, 260, 262
See application file for complete search history.

(56) **References Cited**

U.S. PATENT DOCUMENTS

D377,440 S * 1/1997 Kobayashi D8/52
6,308,421 B1 * 10/2001 Wang 30/178
D450,553 S * 11/2001 Chien D8/57

6,453,560 B1 * 9/2002 Silver et al. 30/134
6,647,627 B2 * 11/2003 Nickel 30/135
D483,627 S * 12/2003 Ronan et al. D7/693
D483,628 S * 12/2003 Smith D7/693
D488,963 S * 4/2004 Silver et al. D7/693
D503,875 S * 4/2005 Ronan et al. D7/693
D552,943 S * 10/2007 Trinque D7/693

* cited by examiner

Primary Examiner — Terry Wallace

(74) *Attorney, Agent, or Firm* — W. F. Fasse; W. G. Fasse

(57) **CLAIM**

The ornamental design for a scissors, as shown and described.

DESCRIPTION

FIG. 1 is a front view of a scissors showing my new design;
FIG. 2 is a rear view thereof;
FIG. 3 is a top plan view thereof;
FIG. 4 is a bottom plan view thereof;
FIG. 5 is a left side view thereof;
FIG. 6 is a right side view thereof;
FIG. 7 is an end view of the sectioned part taken along the
arrowed line A-A thereof;
FIG. 8 is an end view of the sectioned part taken along the
arrowed line B-B thereof;
FIG. 9 is an end view of the sectioned part taken along the
arrowed line C-C thereof;
FIG. 10 is an enlarged view taken along the arrowed line D-D
thereof; and,
FIG. 11 is a front view thereof showing the opened state.

1 Claim, 6 Drawing Sheets

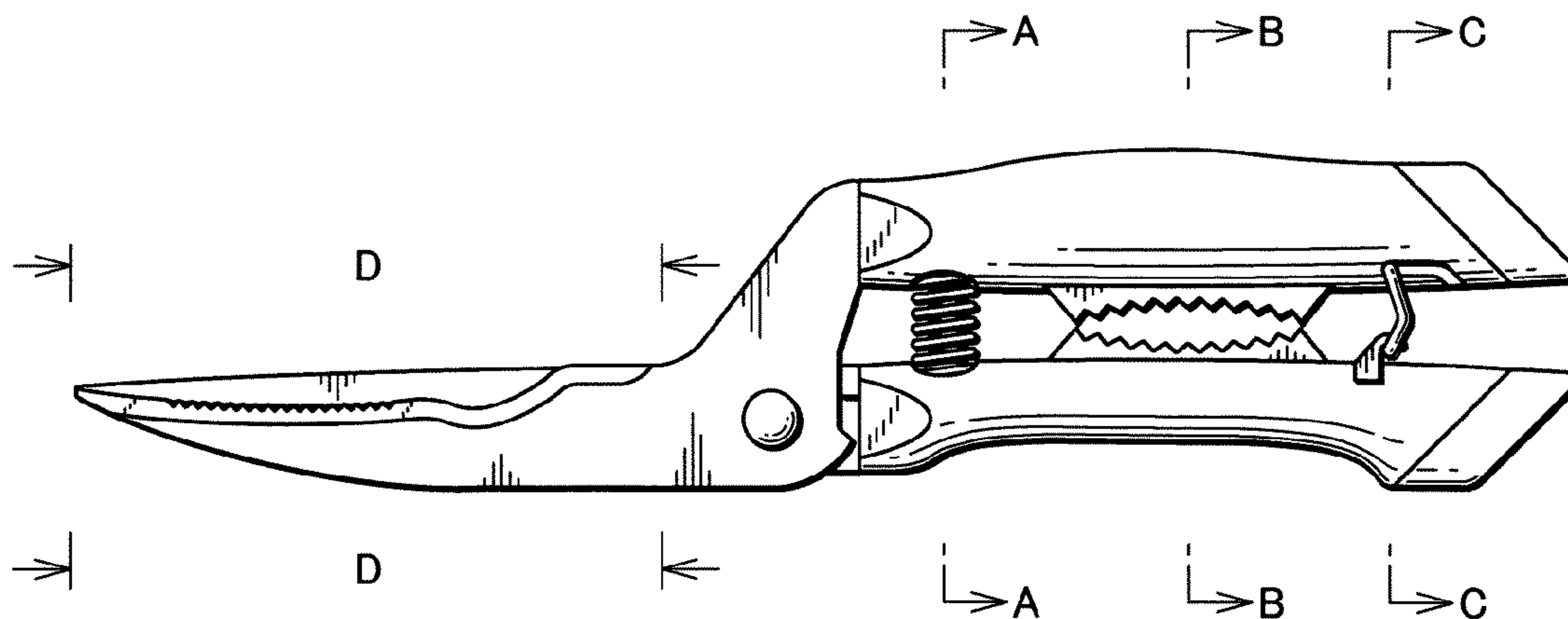


FIG.1

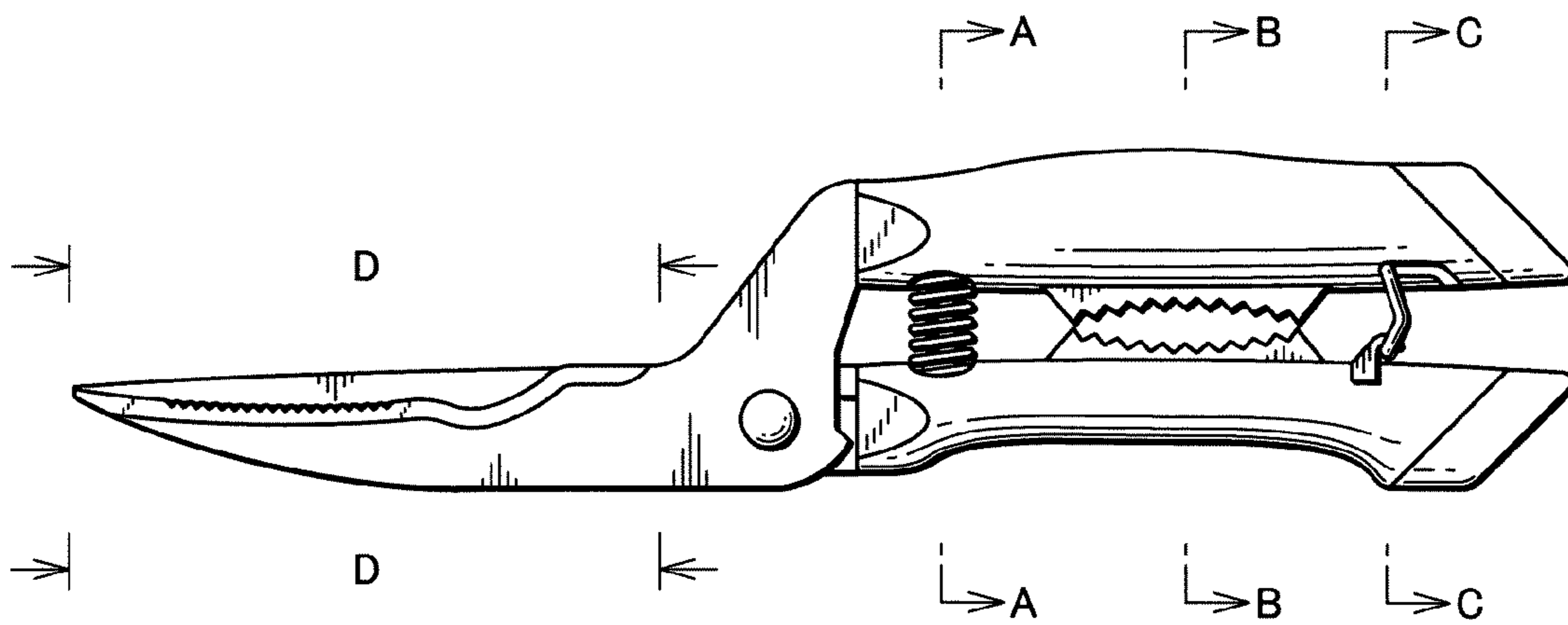


FIG.2

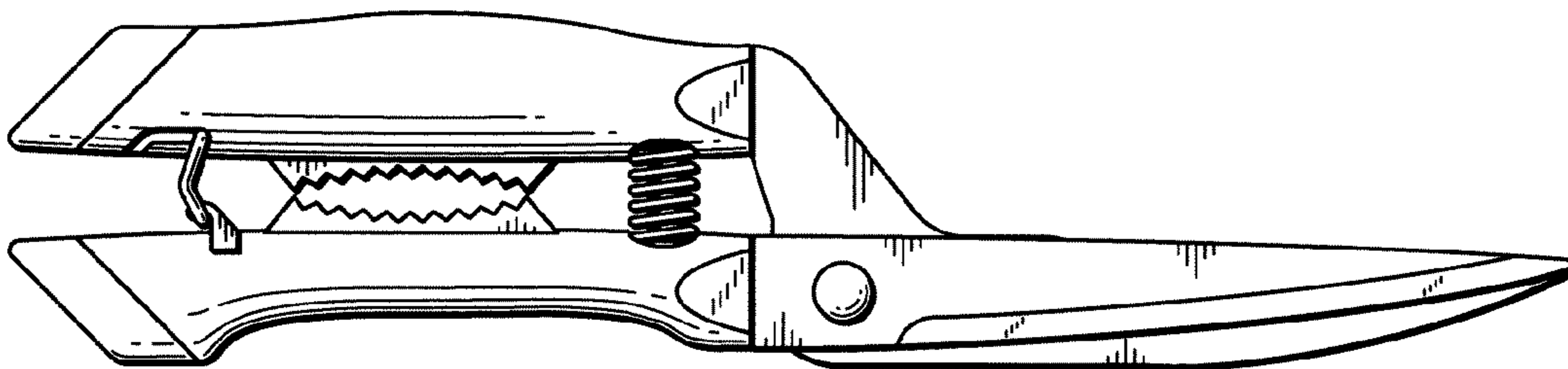


FIG.3

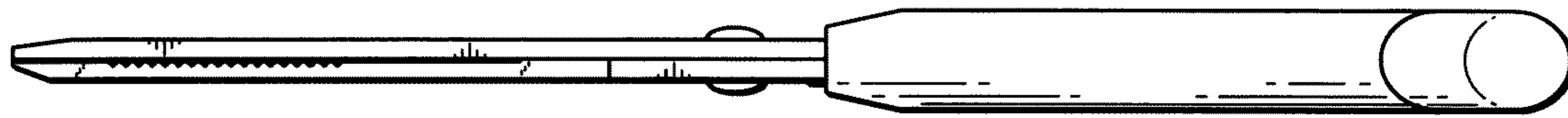


FIG.4

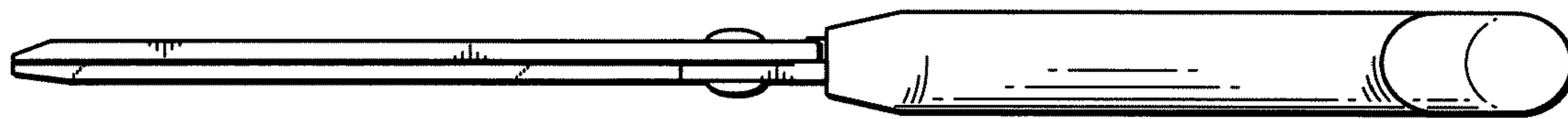


FIG.5

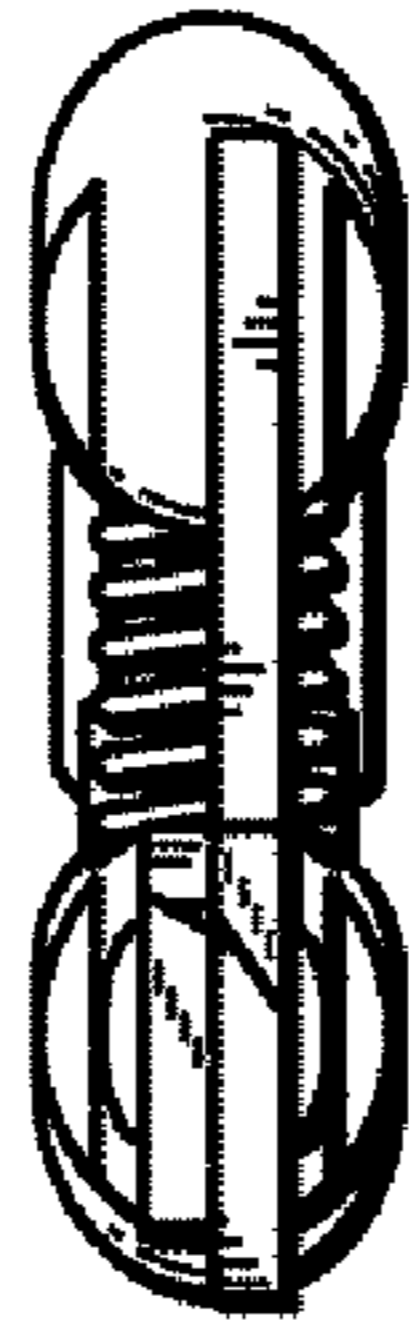


FIG.6



FIG.7

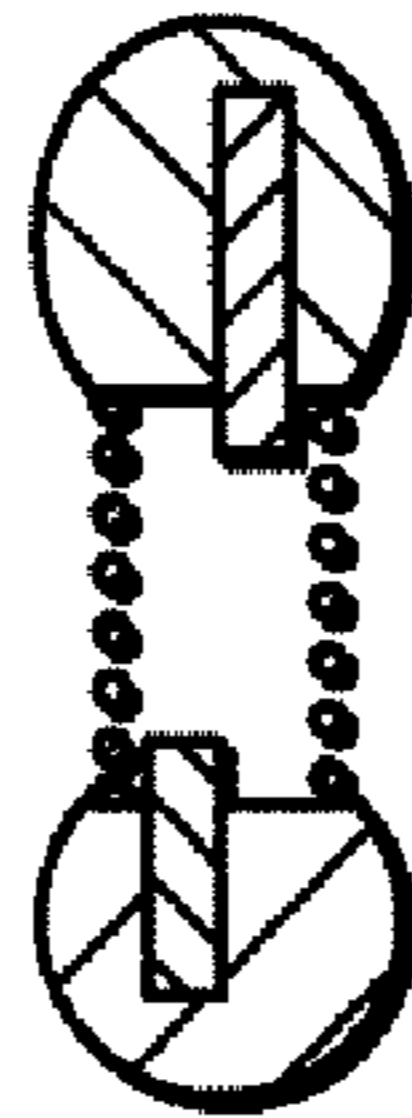


FIG.8



FIG.9



FIG.10

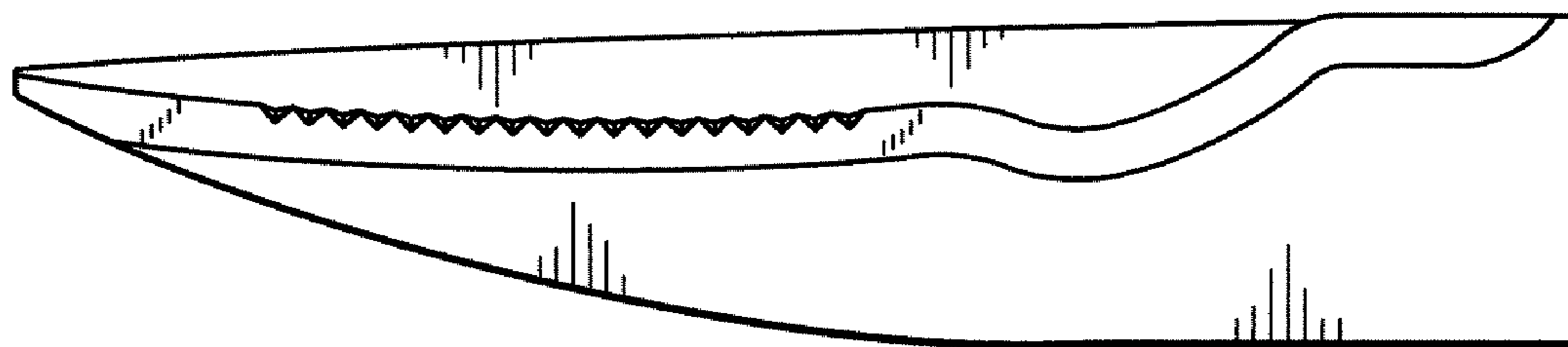


FIG.11

