



US00D642876S

(12) **United States Design Patent**
Tetreault

(10) **Patent No.:** **US D642,876 S**
(45) **Date of Patent:** **** Aug. 9, 2011**

(54) **FOOD GRATER SYSTEM**

(75) Inventor: **Joel Tetreault**, Roswell, GA (US)

(73) Assignee: **Calphalon Corporation**, Atlanta, GA (US)

(**) Term: **14 Years**

(21) Appl. No.: **29/376,554**

(22) Filed: **Oct. 8, 2010**

(51) **LOC (9) Cl.** **07-04**

(52) **U.S. Cl.** **D7/678**

(58) **Field of Classification Search** D7/672-678,
D7/693, 381, 368, 669; 30/114, 278, 279.6,
30/280, 287, 283, 286, 389-391; 241/92-95,
241/100, 168, 169, 169.1, 273.1-273.4; 99/495,
99/510

See application file for complete search history.

(56) **References Cited**

U.S. PATENT DOCUMENTS

D437,190 S * 2/2001 Holcomb D7/678
(Continued)

OTHER PUBLICATIONS

Microplane Interchangeable Grater System; Amazon.com; 2 pages; printed May 18, 2010.

Primary Examiner — Terry Wallace

(74) *Attorney, Agent, or Firm* — Lempia Summerfield Katz LLC

(57) **CLAIM**

The ornamental design for a food grater system, as shown and described.

DESCRIPTION

FIG. 1 is a top perspective view of a food grater system according to the present invention, showing a food grater

including a grater frame with an interchangeable grater insert panel mounted thereto for use.

FIG. 2 is a left side view of the food grater system of FIG. 1, the right side view being a mirror image thereof.

FIG. 3 is a top plan view of the food grater system of FIG. 1.

FIG. 4 is a bottom view of the food grater system of FIG. 1.

FIG. 5 is a front/grating end view of the food grater system of FIG. 1.

FIG. 6 is a rear/handle end view of the food grater system of FIG. 1.

FIG. 7 is a top perspective view of the food grater system of FIG. 1 shown including a grated-food container mounted to the food grater for use.

FIG. 8 is a left side view of the food grater system of FIG. 7, the right side view being a mirror image thereof

FIG. 9 is a top plan view of the food grater system of FIG. 7.

FIG. 10 is a bottom view of the food grater system of FIG. 7.

FIG. 11 is a front/grating end view of the food grater system of FIG. 7.

FIG. 12 is a rear/handle end view of the food grater system of FIG. 7.

FIG. 13 is a top perspective view of the food grater system of FIG. 7 shown including a cover lid on the grated-food container for storage.

FIG. 14 is a left side view of the food grater system of FIG. 13, the right side view being a mirror image thereof

FIG. 15 is a top plan view of the food grater system of FIG. 13.

FIG. 16 is a bottom view of the food grater system of FIG. 13.

FIG. 17 is a front/grating end view of the food grater system of FIG. 13.

FIG. 18 is a rear/handle end view of the food grater system of FIG. 13.

FIG. 19 is a top perspective view of the grated-food container and cover lid of the food grater system of FIG. 13.

FIG. 20 is a left side view of the food grater system of FIG. 19, the right side view being a mirror image thereof

FIG. 21 is a top plan view of the food grater system of FIG. 19.

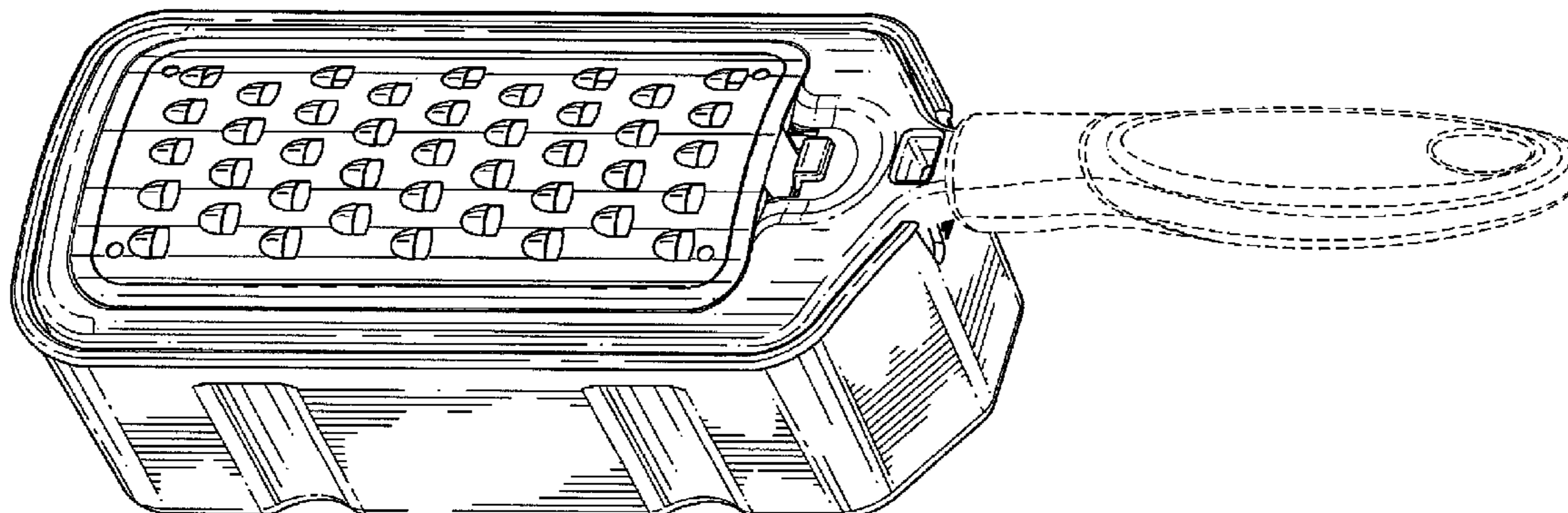
FIG. 22 is a bottom view of the food grater system of FIG. 19.

FIG. 23 is a front end view of the food grater system of FIG. 19; and,

FIG. 24 is a rear end view of the food grater system of FIG. 19.

The broken lines of FIGS. 1-18 are for illustrative purposes only and form no part of the claimed design.

1 Claim, 20 Drawing Sheets



US D642,876 S

Page 2

U.S. PATENT DOCUMENTS

6,318,652 B1 *	11/2001	Liu	241/95	D494,025 S *	8/2004	Wong	D7/678
D467,136 S *	12/2002	Levien et al.	D7/678	D592,451 S	5/2009	Logiudice et al.	
				* cited by examiner			

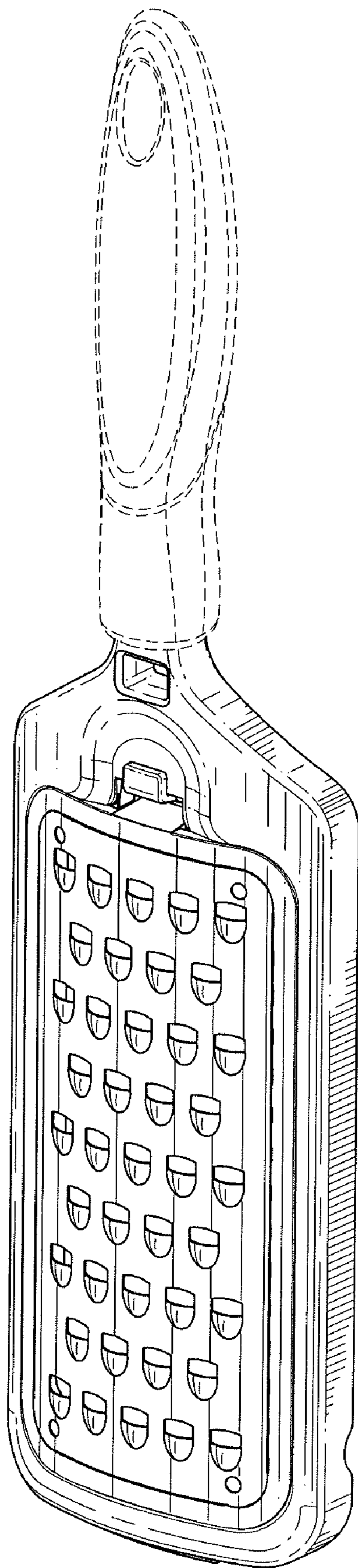


FIG. 1

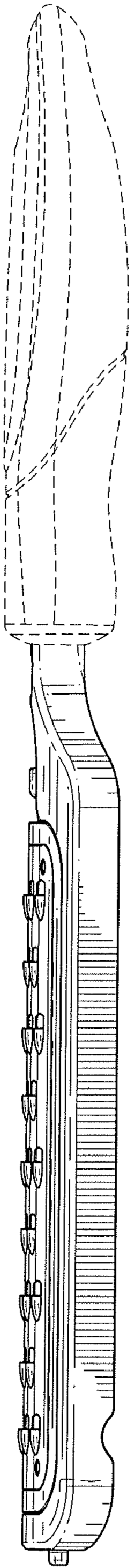


FIG. 2

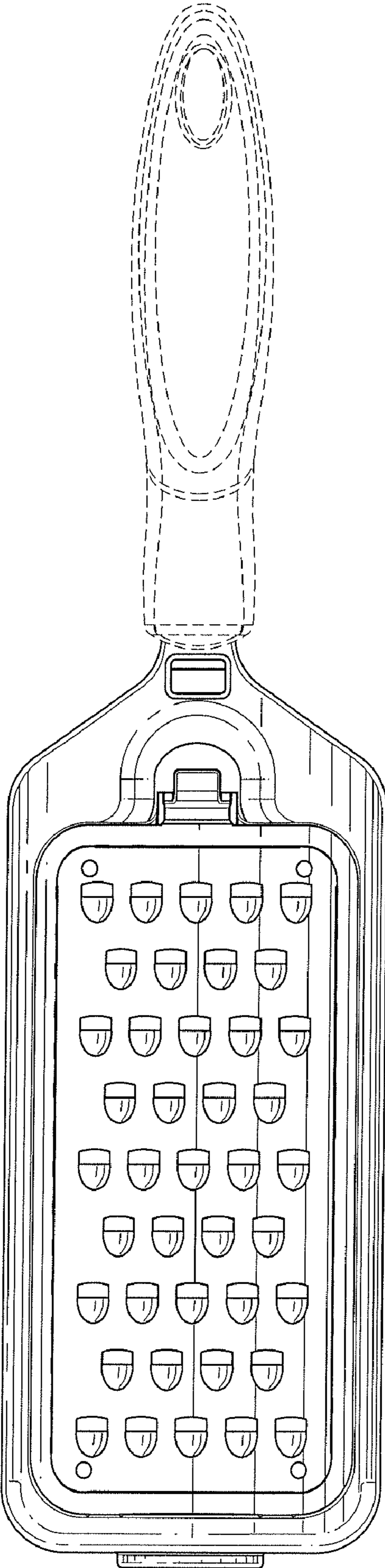


FIG.3

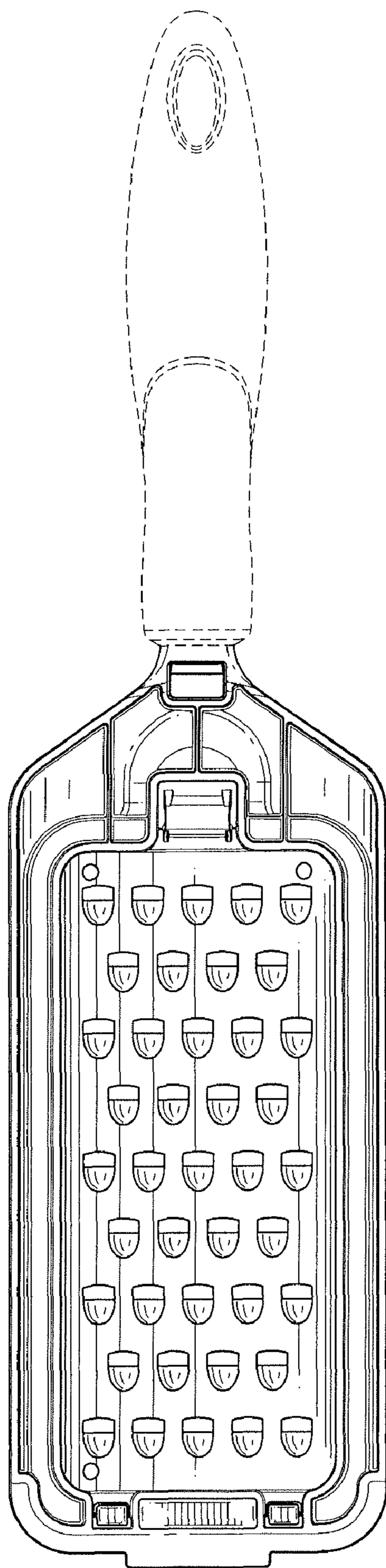


FIG.4

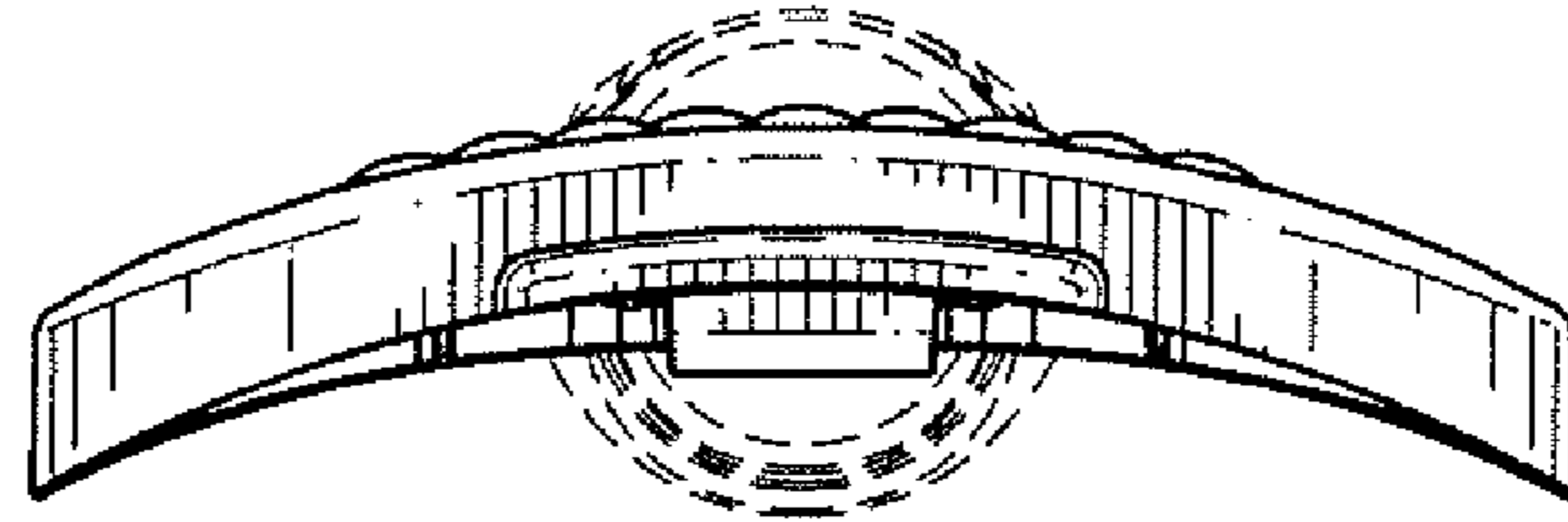


FIG. 5

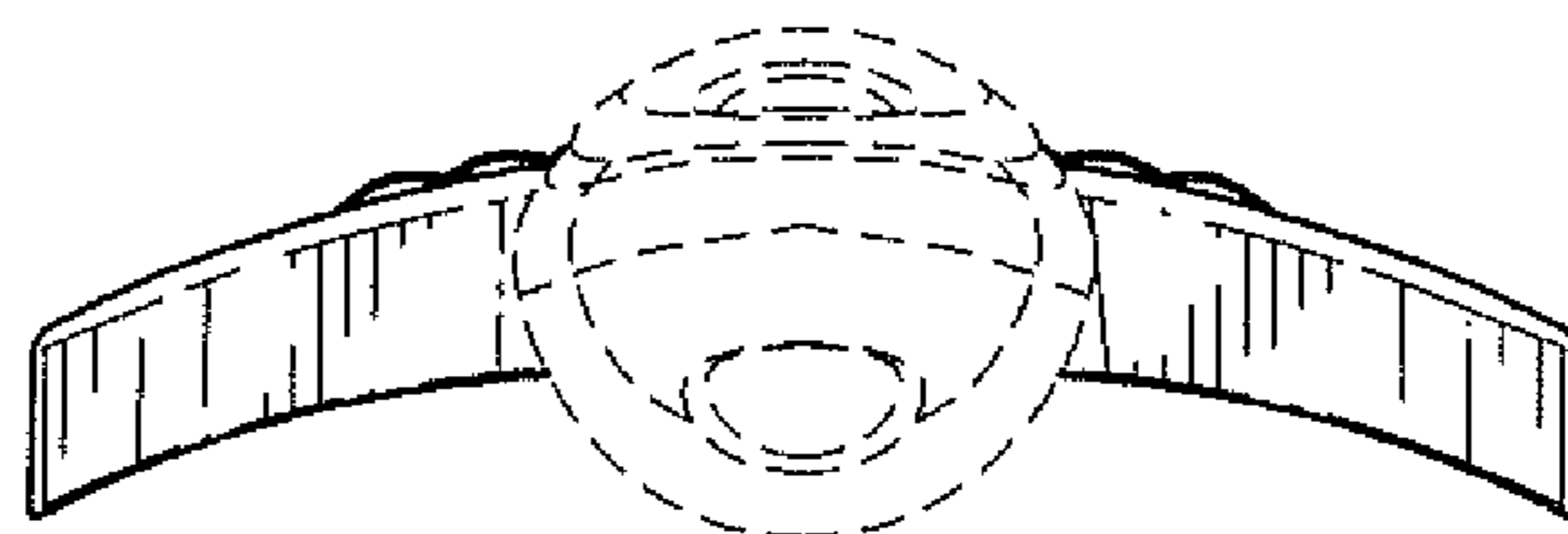


FIG. 6

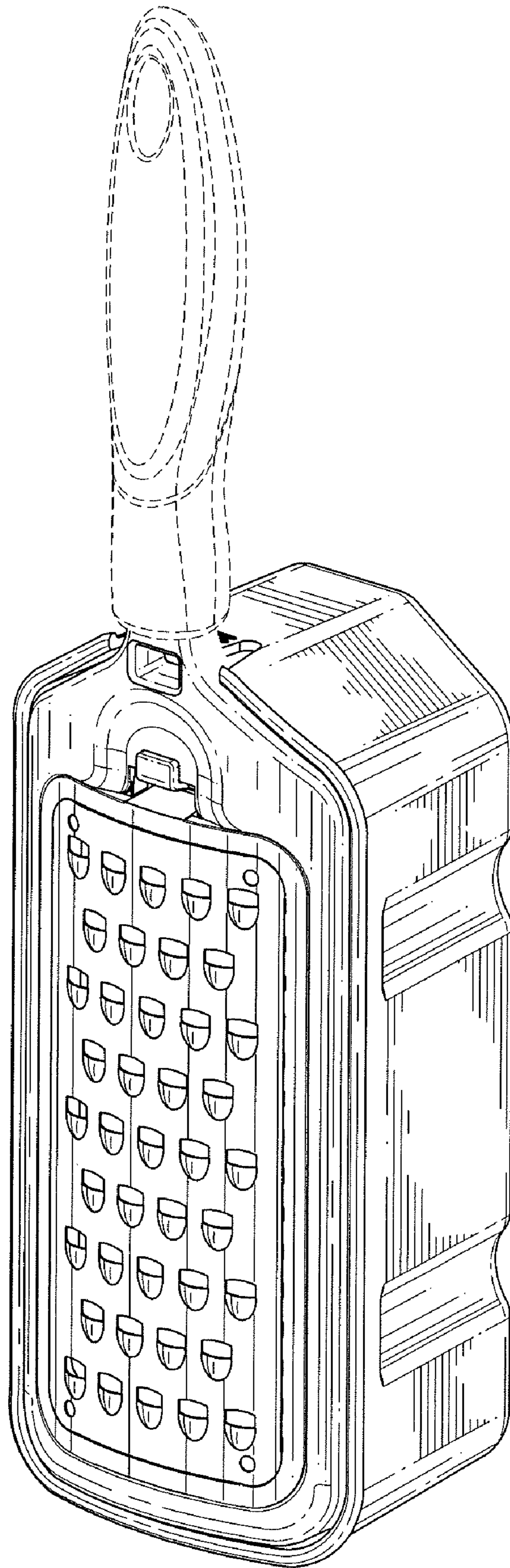


FIG. 7

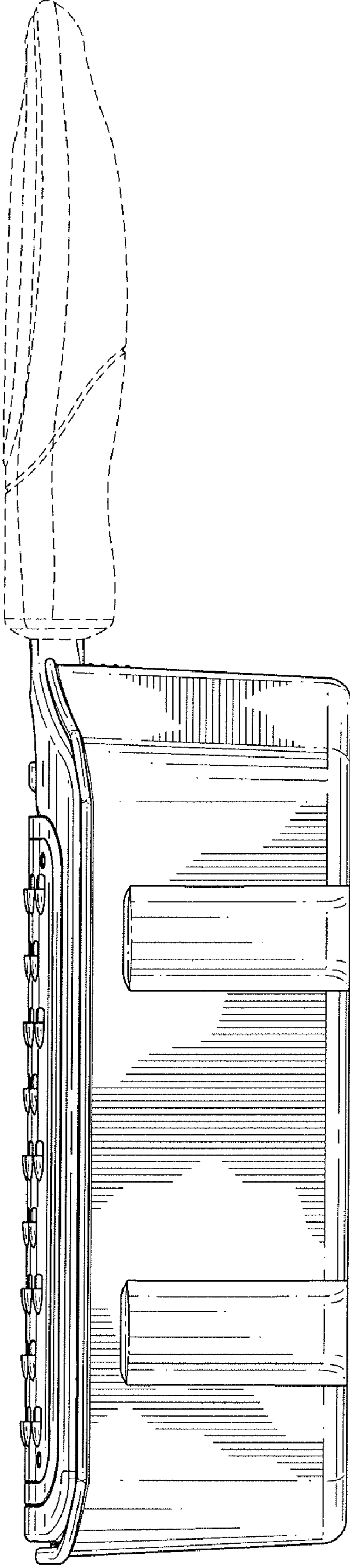


FIG. 8

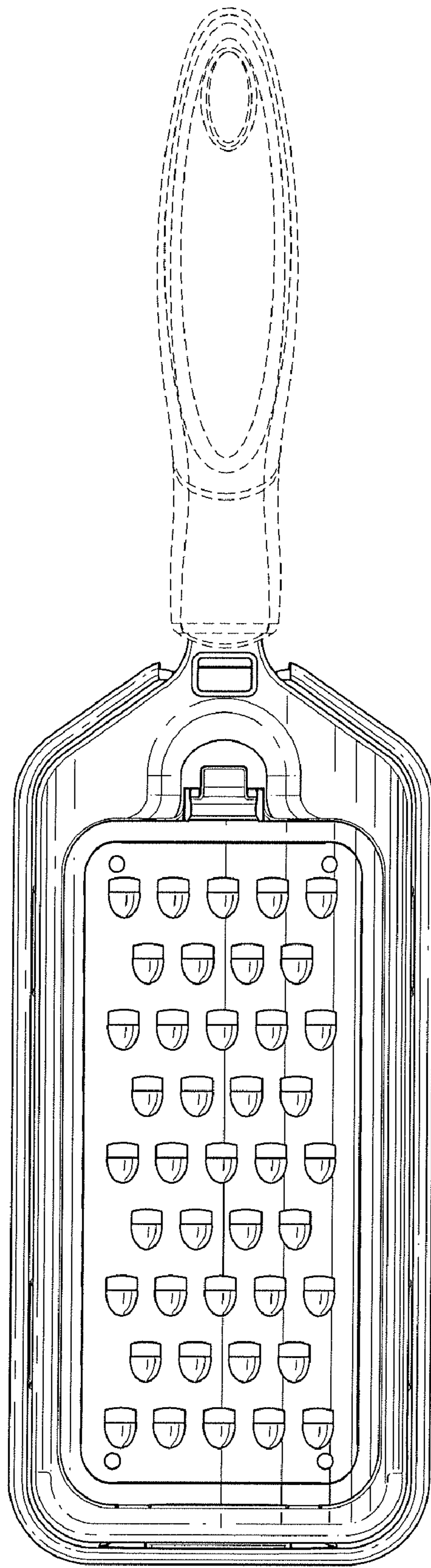


FIG. 9

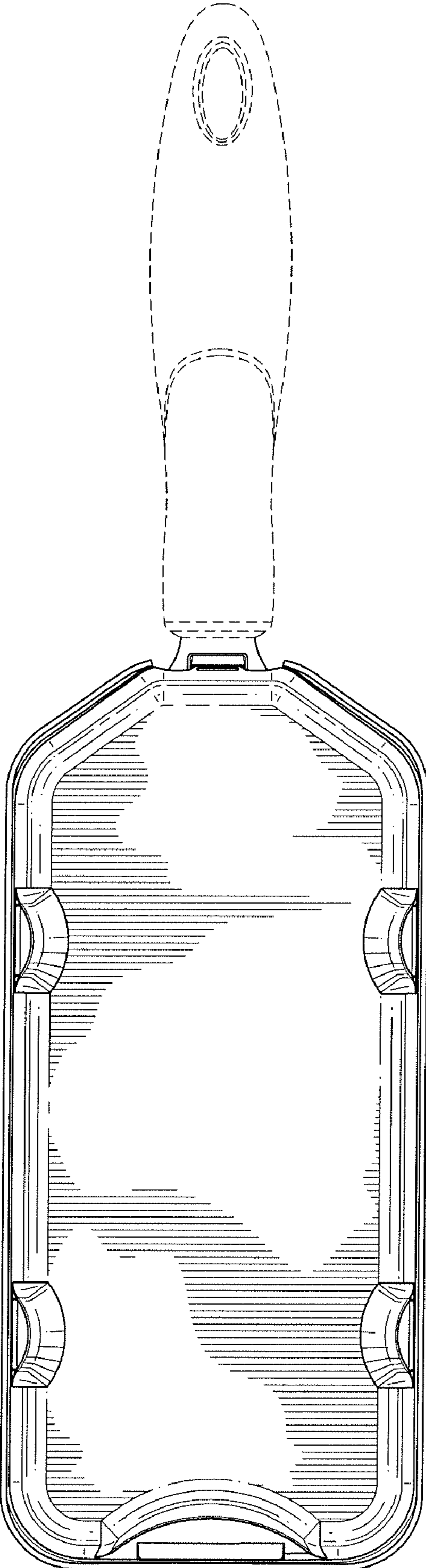


FIG. 10

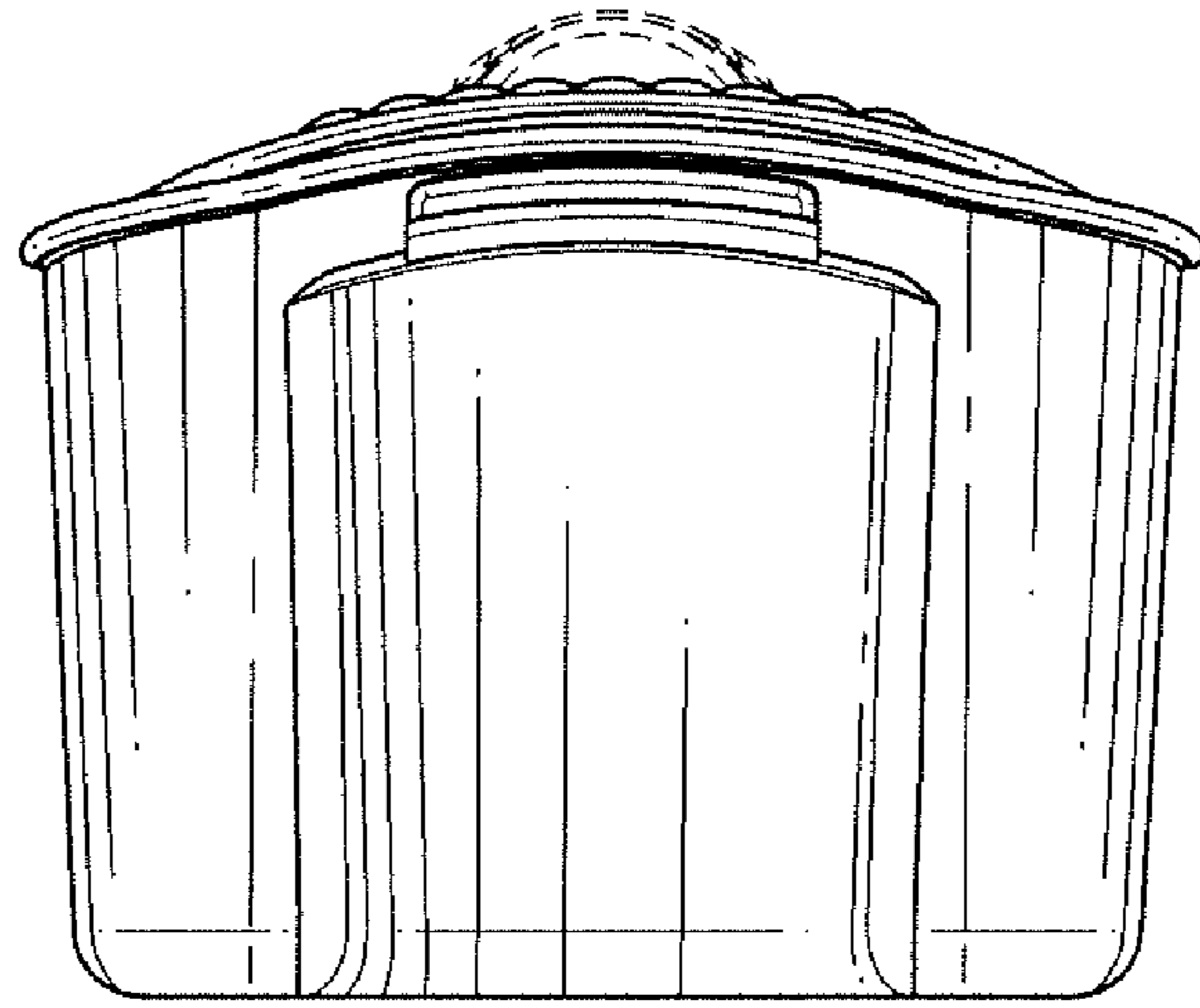


FIG. 11

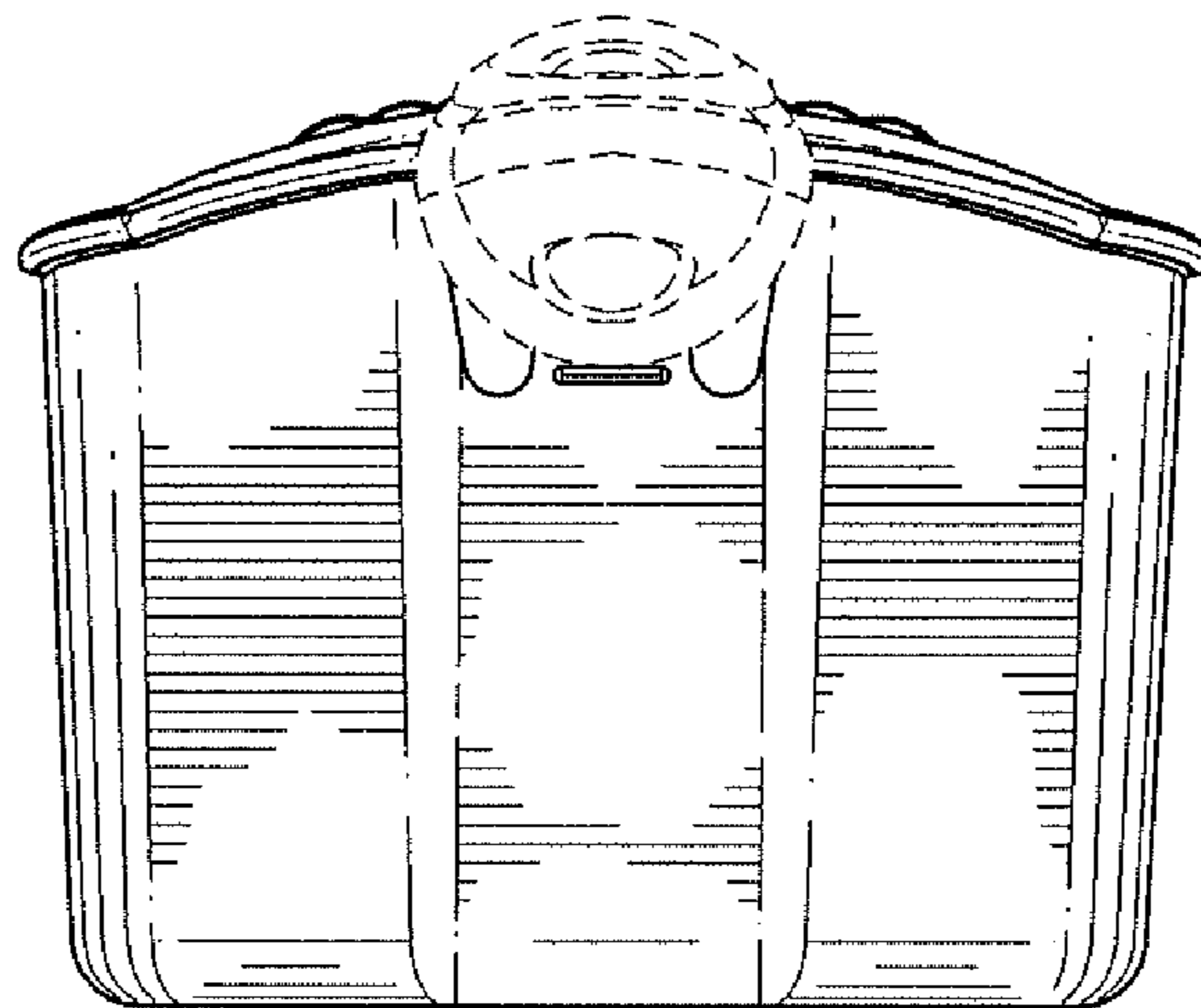


FIG. 12

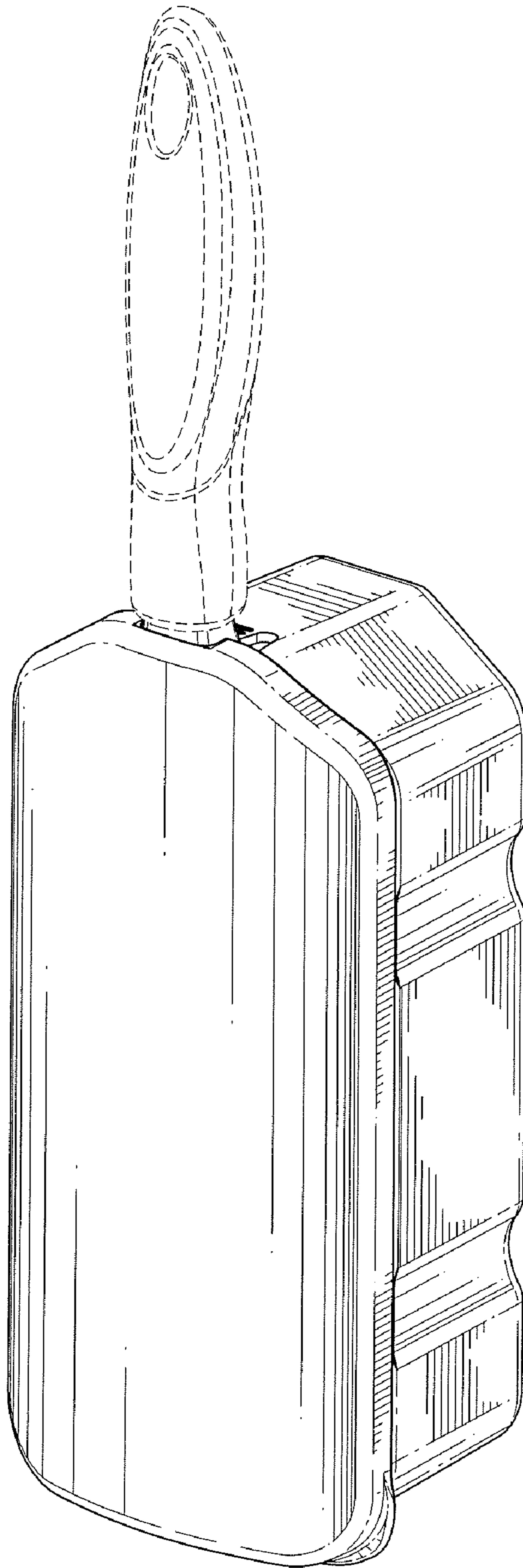


FIG. 13

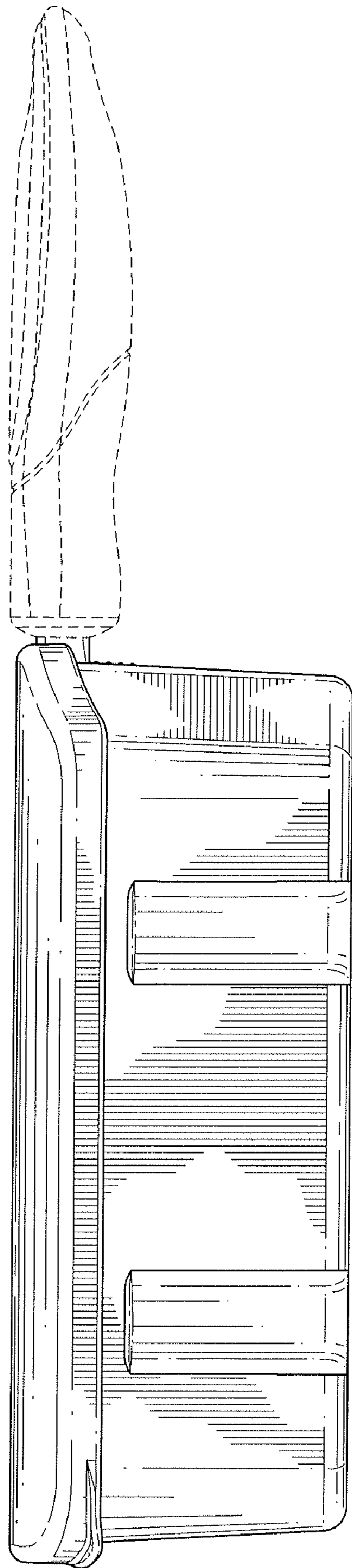


FIG. 14

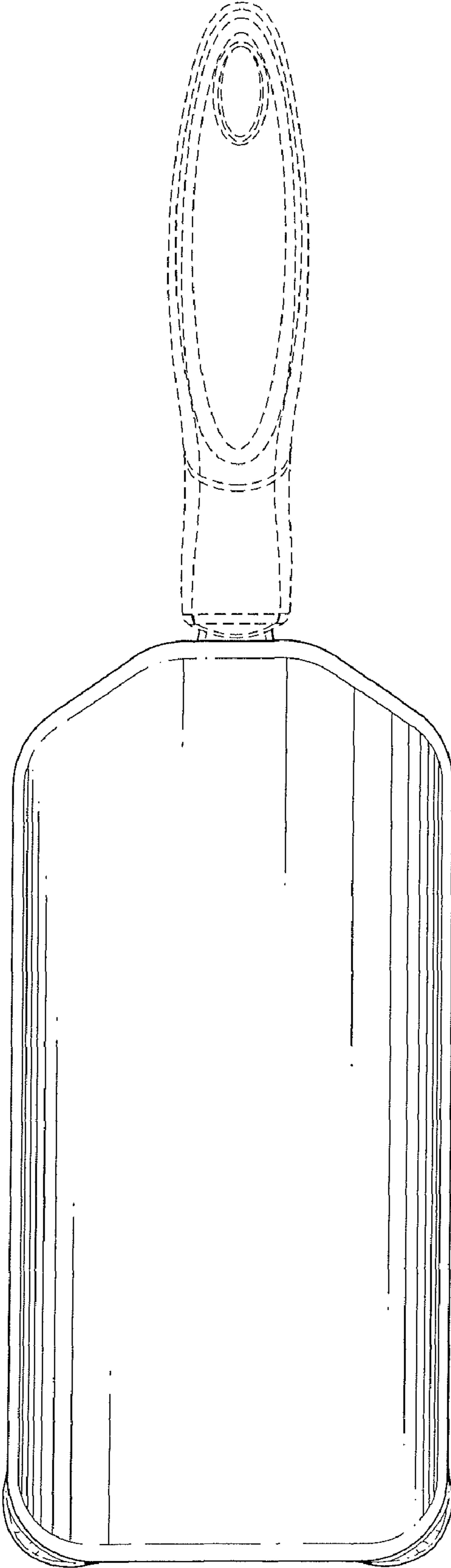


FIG. 15

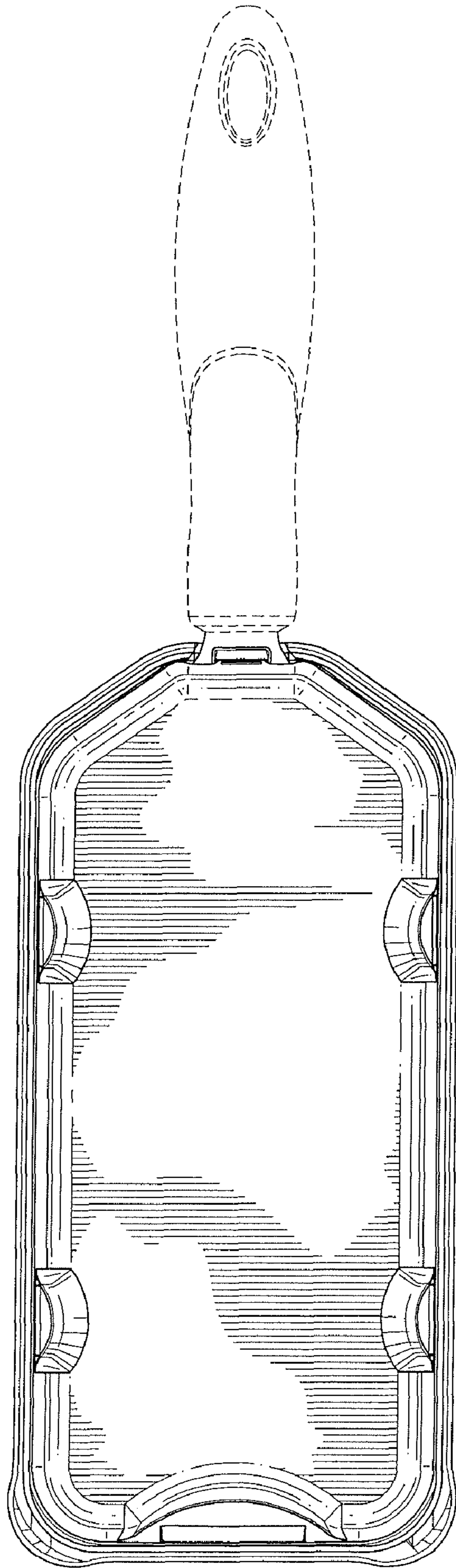


FIG.16

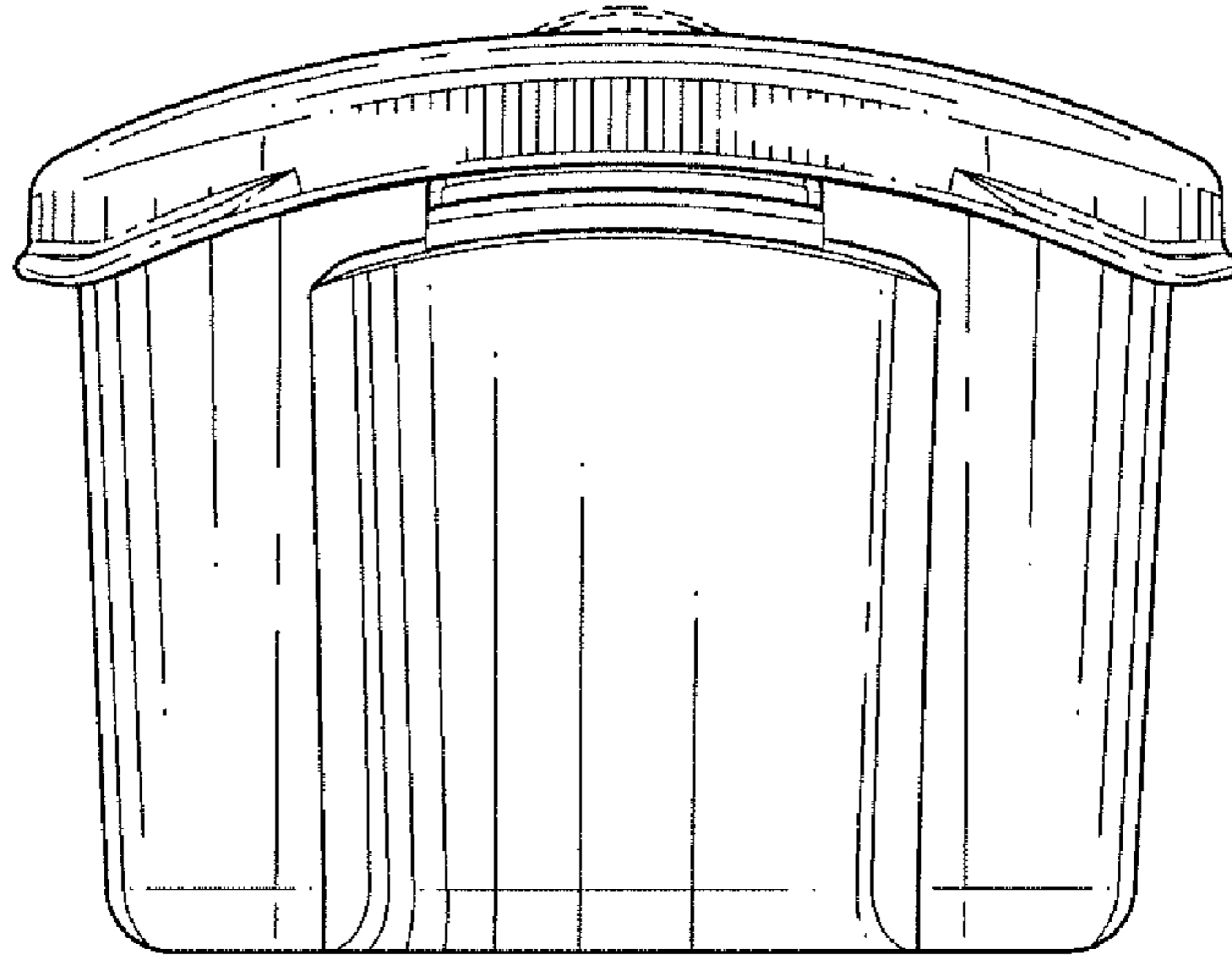


FIG. 17

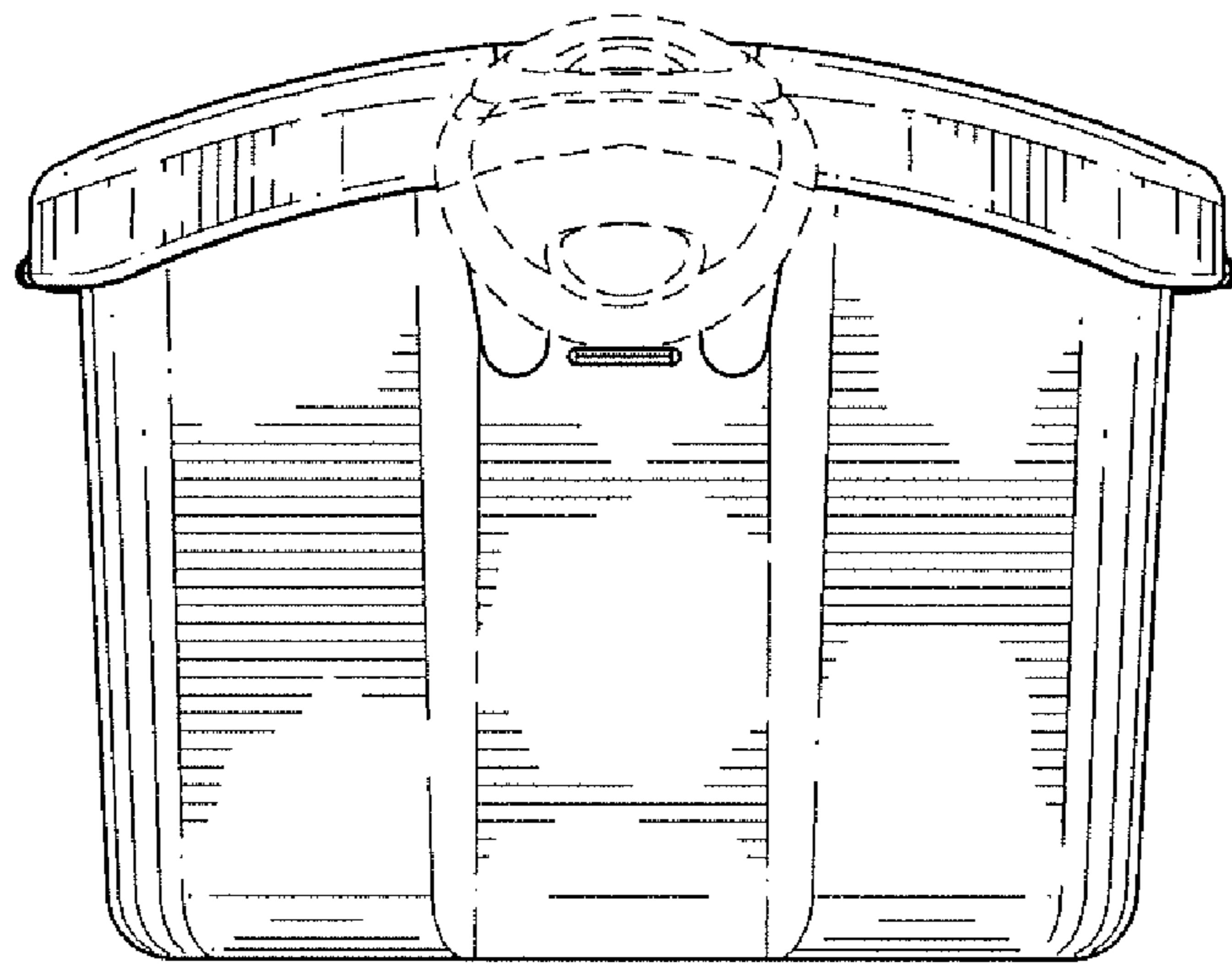


FIG. 18

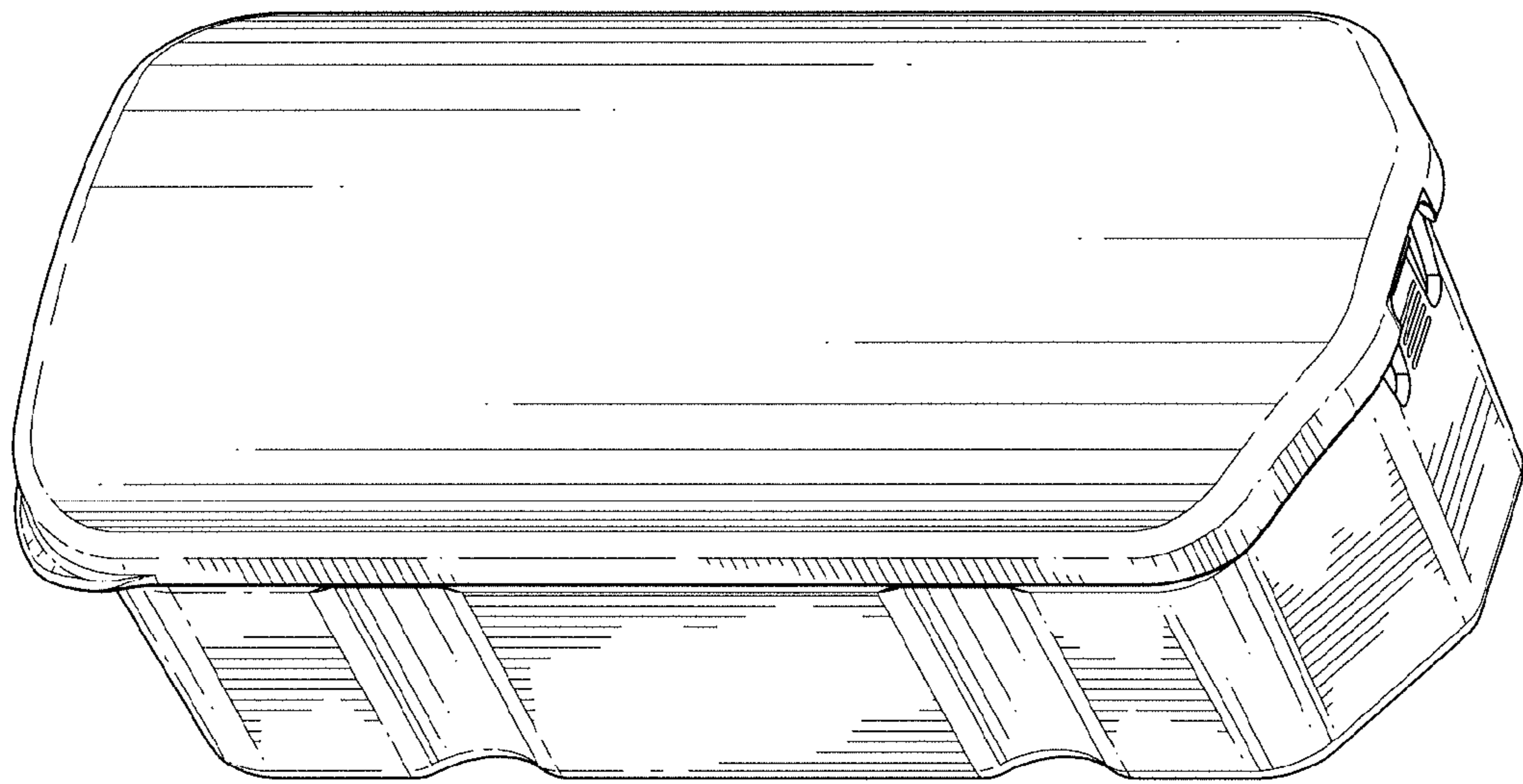


FIG. 19

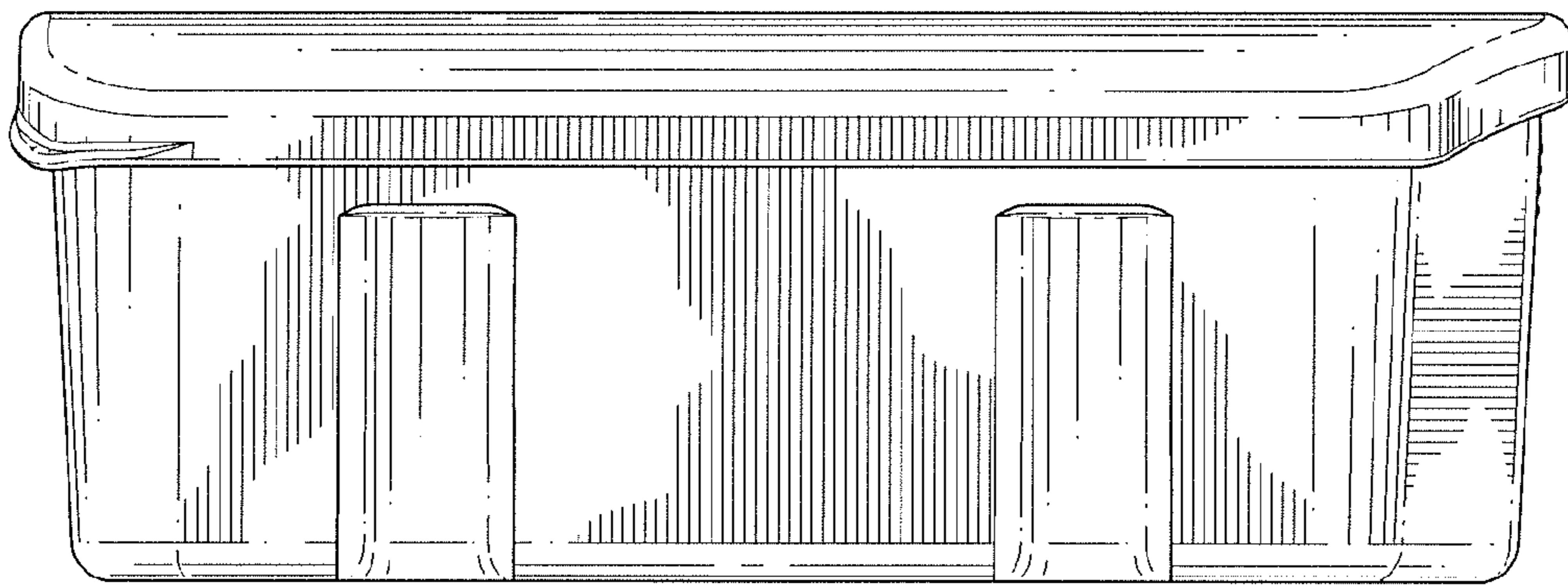


FIG. 20



FIG.21

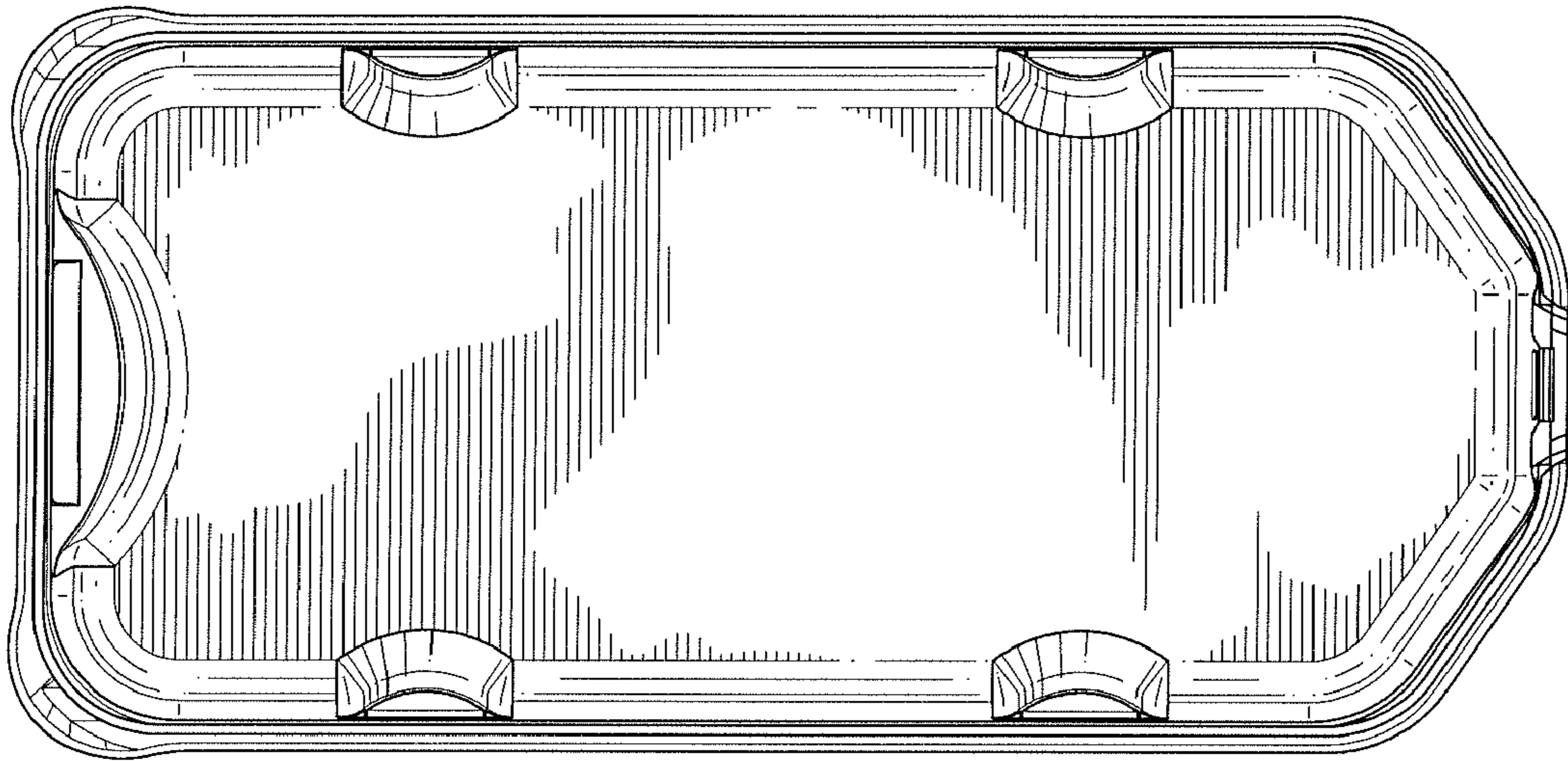


FIG. 22

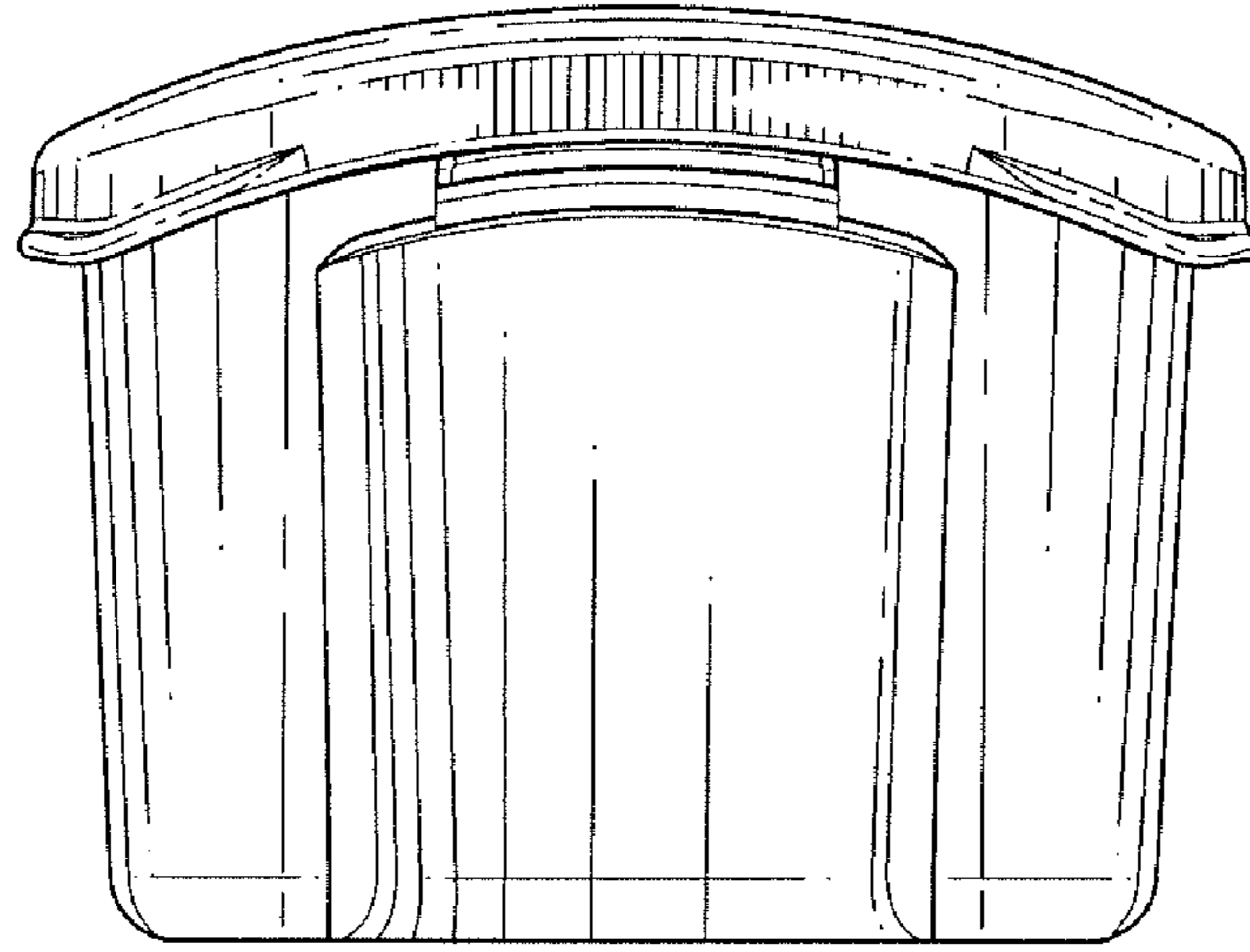


FIG. 23

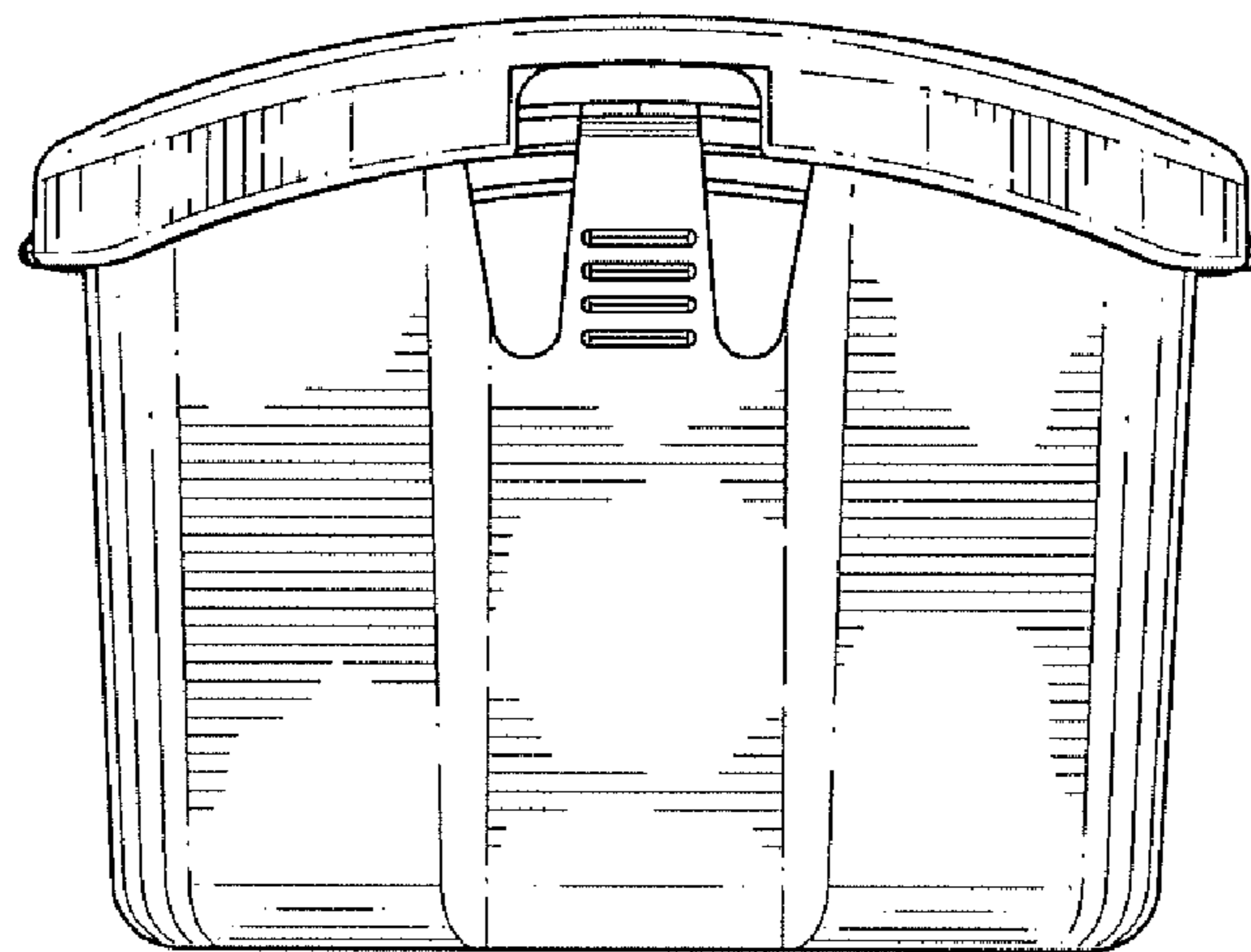


FIG. 24