



US00D642870S

(12) **United States Design Patent**
Whitlock et al.

(10) **Patent No.:** **US D642,870 S**

(45) **Date of Patent:** **** Aug. 9, 2011**

(54) **COLLAPSIBLE INSULATED PICNIC BASKET**

(76) Inventors: **Paul Whitlock**, Santa Monica, CA (US);
Valerie Whitlock, Santa Monica, CA
(US)

(**) Term: **14 Years**

(21) Appl. No.: **29/316,175**

(22) Filed: **Aug. 31, 2009**

(51) **LOC (9) Cl.** **07-01**

(52) **U.S. Cl.** **D7/607; D3/289**

(58) **Field of Classification Search** D3/276,
D3/273, 277, 280, 283, 285, 289, 291; D7/605,
D7/607, 703, 705, 709; 220/9.1-9.4, 592.2,
220/592.01, 739, 666, 915.1, 915.2; 493/115;
383/117; 62/457.7

See application file for complete search history.

(56) **References Cited**

U.S. PATENT DOCUMENTS

D289,127 S *	4/1987	Blumenthal	D7/709
D371,051 S *	6/1996	Melk	D7/607
D415,897 S *	11/1999	Lacy et al.	D3/277
6,247,328 B1 *	6/2001	Mogil	62/457.2
D504,566 S *	5/2005	Guy	D3/277
D574,667 S *	8/2008	Grabijas et al.	D7/607
D575,059 S *	8/2008	Cappiello et al.	D3/283
D608,159 S *	1/2010	Whitlock et al.	D7/607

D619,854 S * 7/2010 Koehler et al. D7/607
2008/0257896 A1 * 10/2008 Guy et al. 220/592.2
2010/0147015 A1 * 6/2010 Vanderberg et al. 62/457.7

* cited by examiner

Primary Examiner — Jennifer Rivard

(74) *Attorney, Agent, or Firm* — D. Whitlow Bivens

(57) **CLAIM**

The ornamental design for a collapsible insulated picnic basket, as shown and described.

DESCRIPTION

FIG. 1 is a perspective view of our new design in a first configuration;

FIG. 2 is a side view thereof;

FIG. 3 is an end view thereof, the opposite end being a mirror image thereof;

FIG. 4 is a second side view thereof;

FIG. 5 is a top view thereof;

FIG. 6 is a perspective view from above of our new design in a second configuration;

FIG. 7 is a perspective view from below of our new design in a second configuration; and,

FIG. 8 is a sectional view of our new design in a second configuration taken along lines 8—8 of FIG. 7.

The broken lines represent stitching.

1 Claim, 7 Drawing Sheets

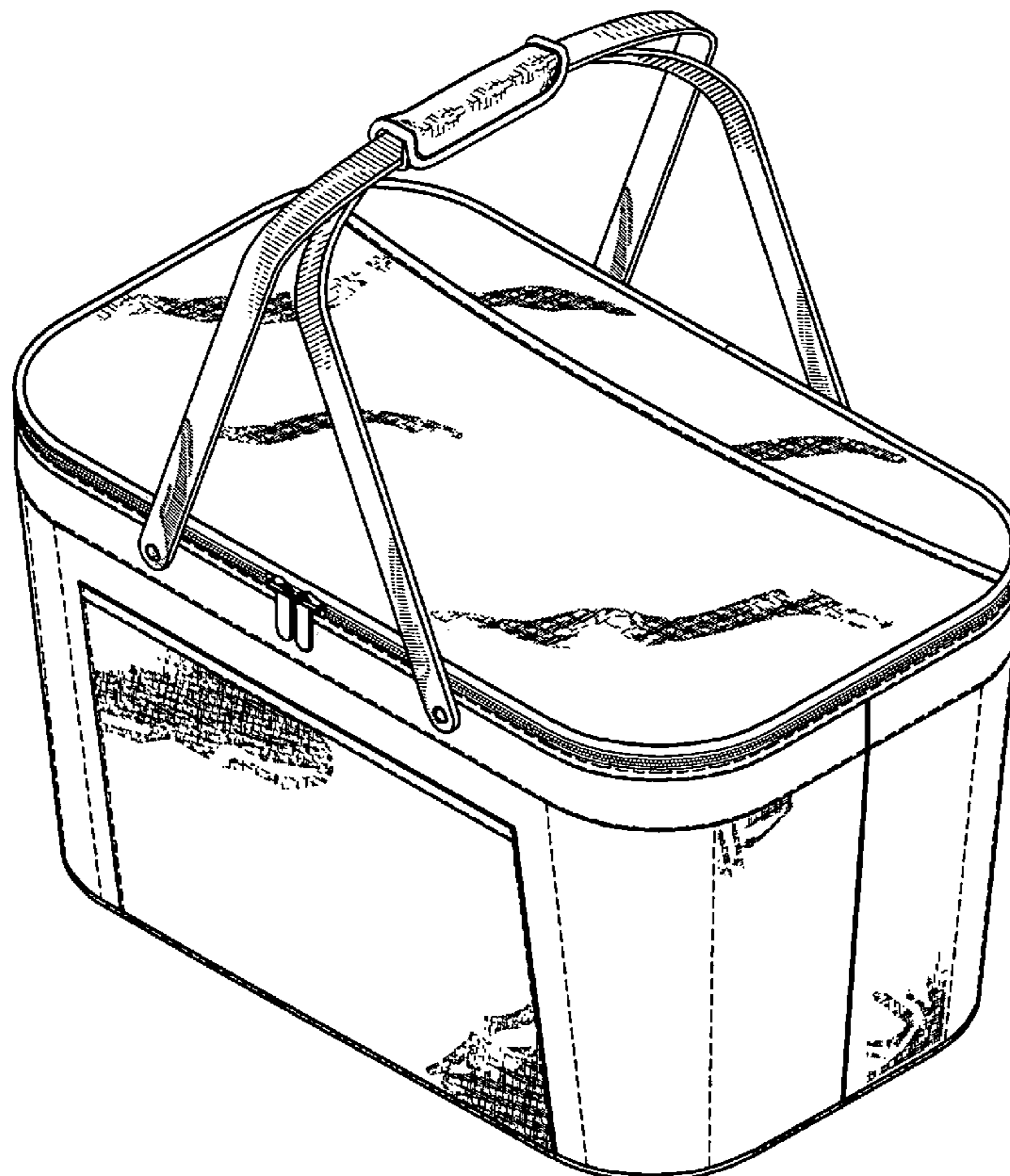


FIG. 1

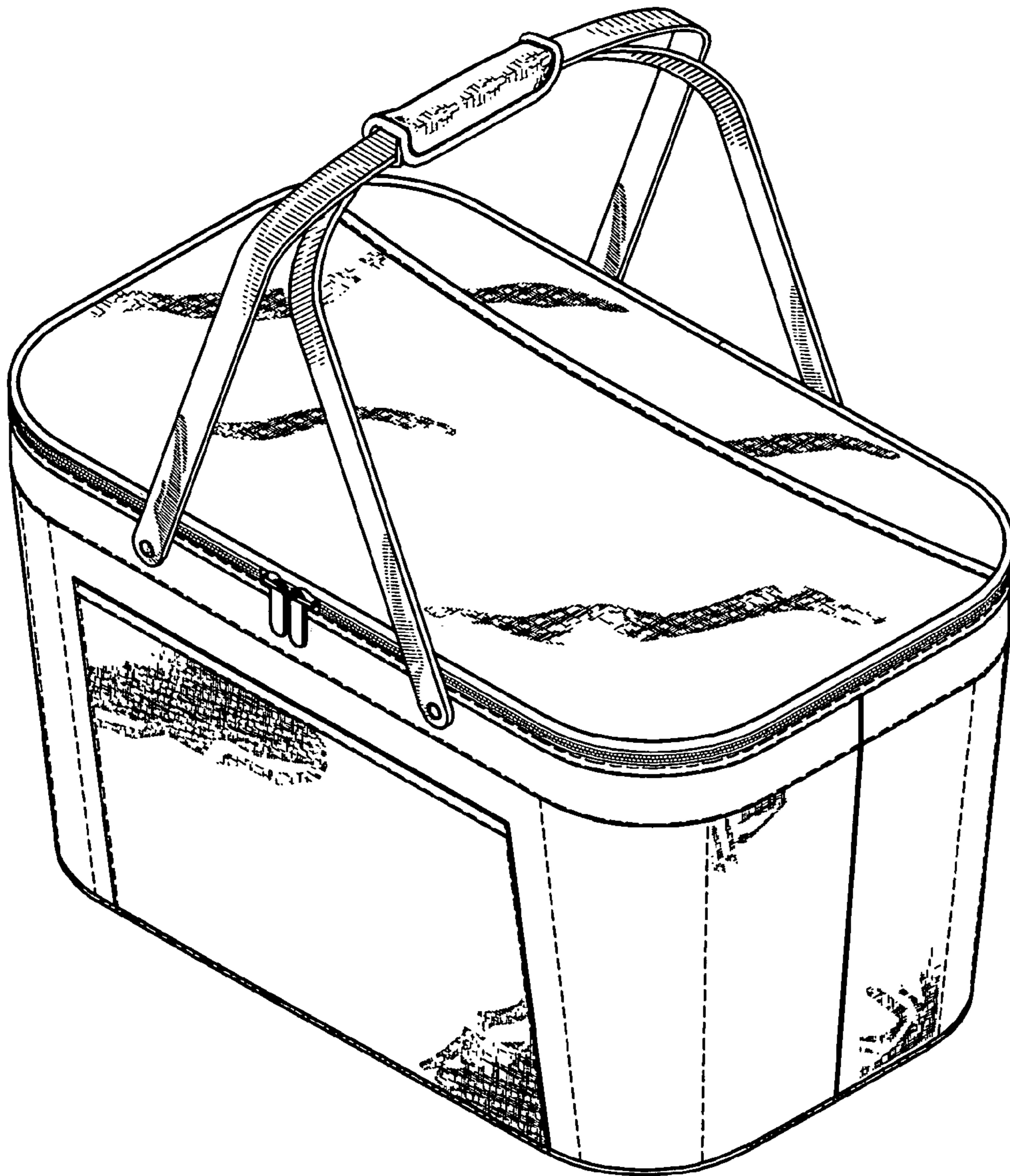


FIG. 2

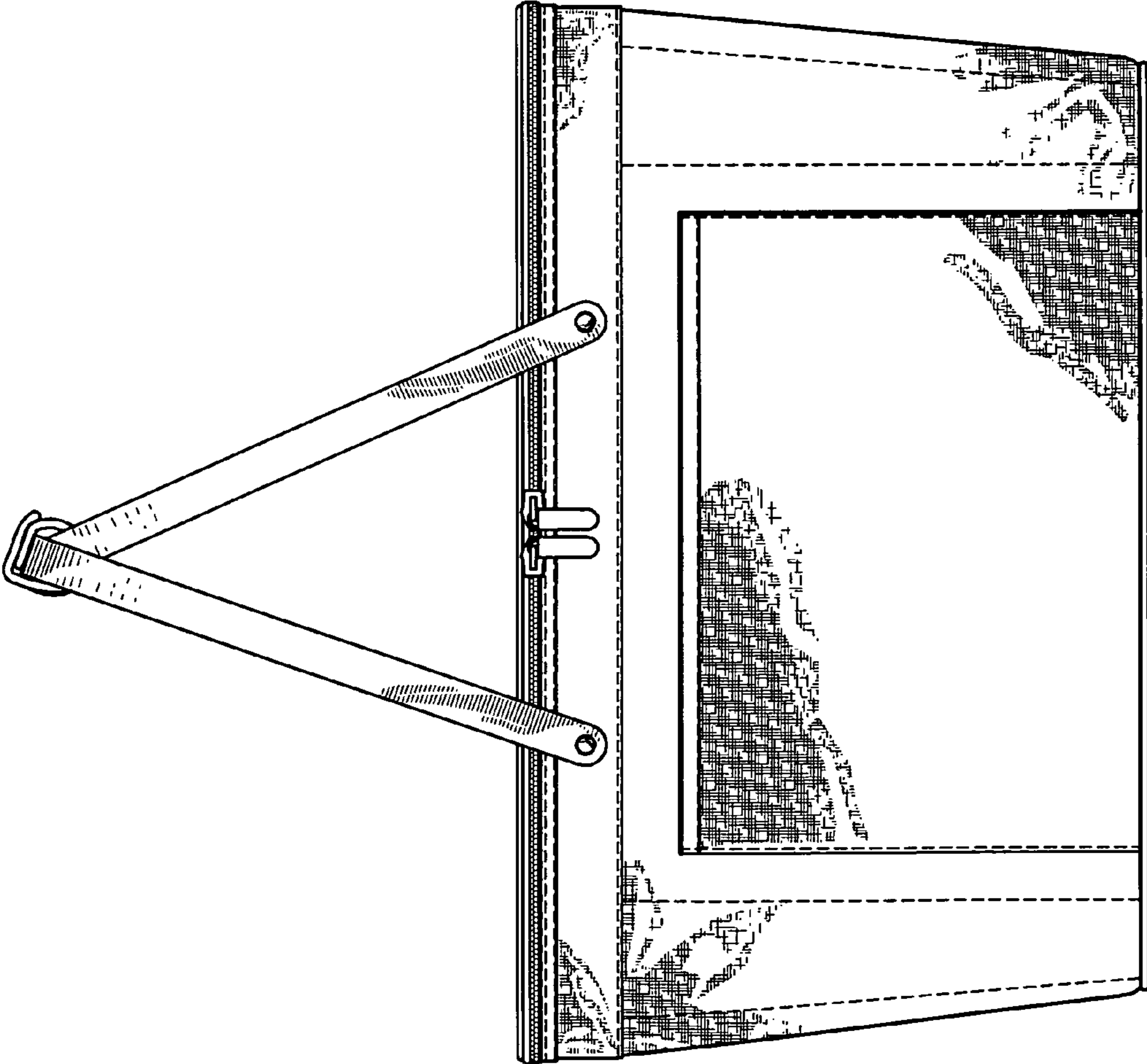


FIG. 3

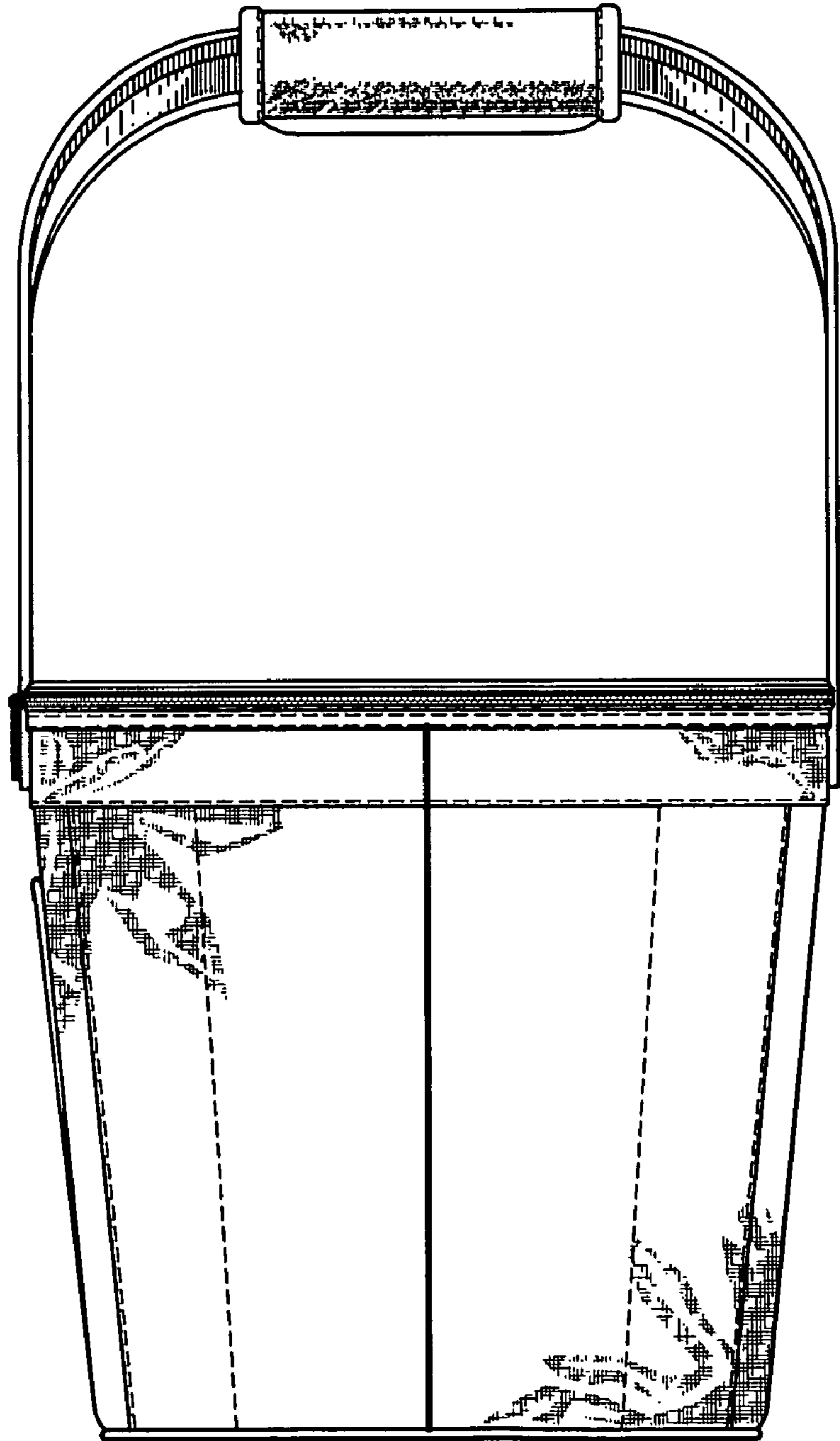


FIG. 4

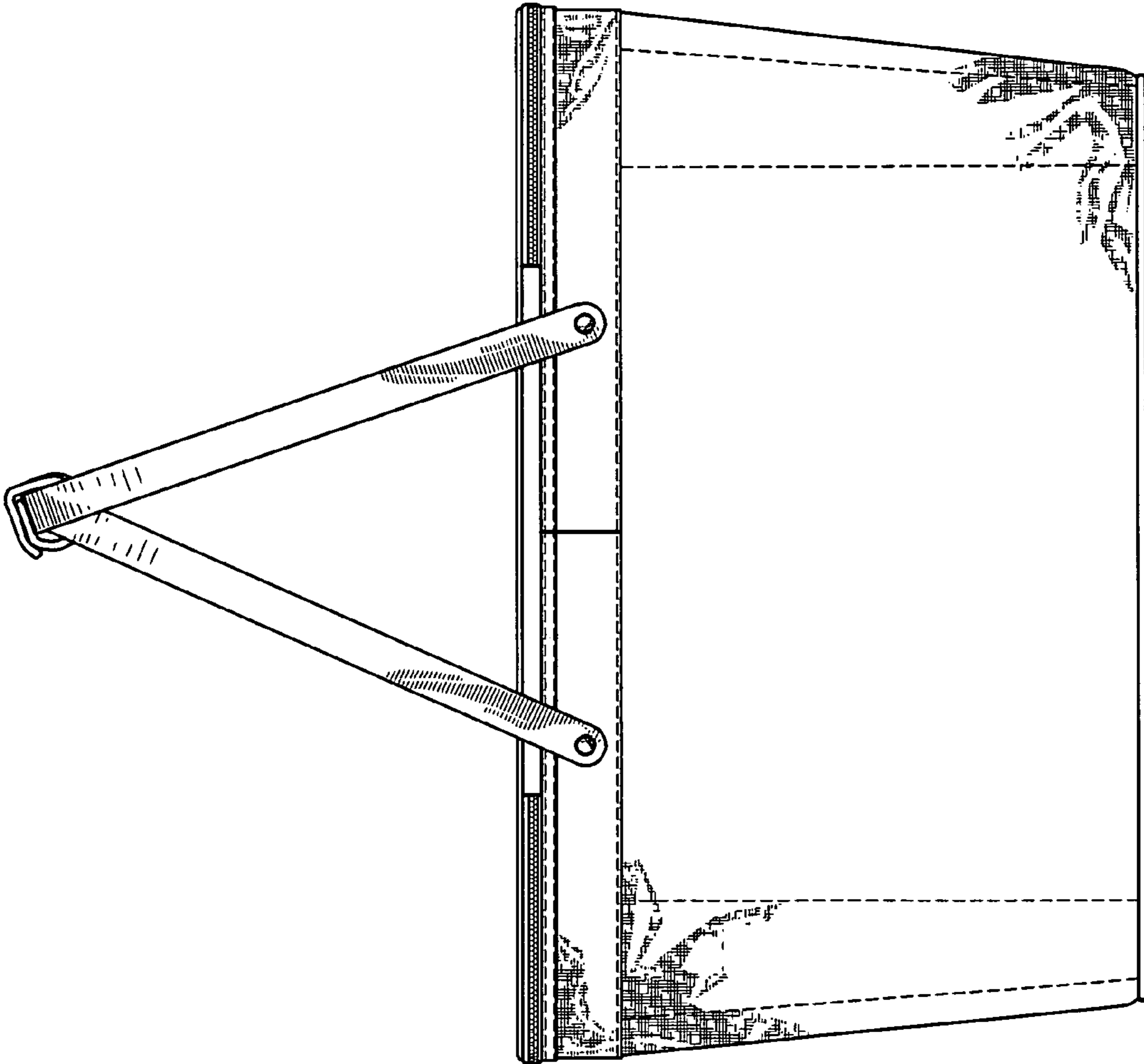


FIG. 5

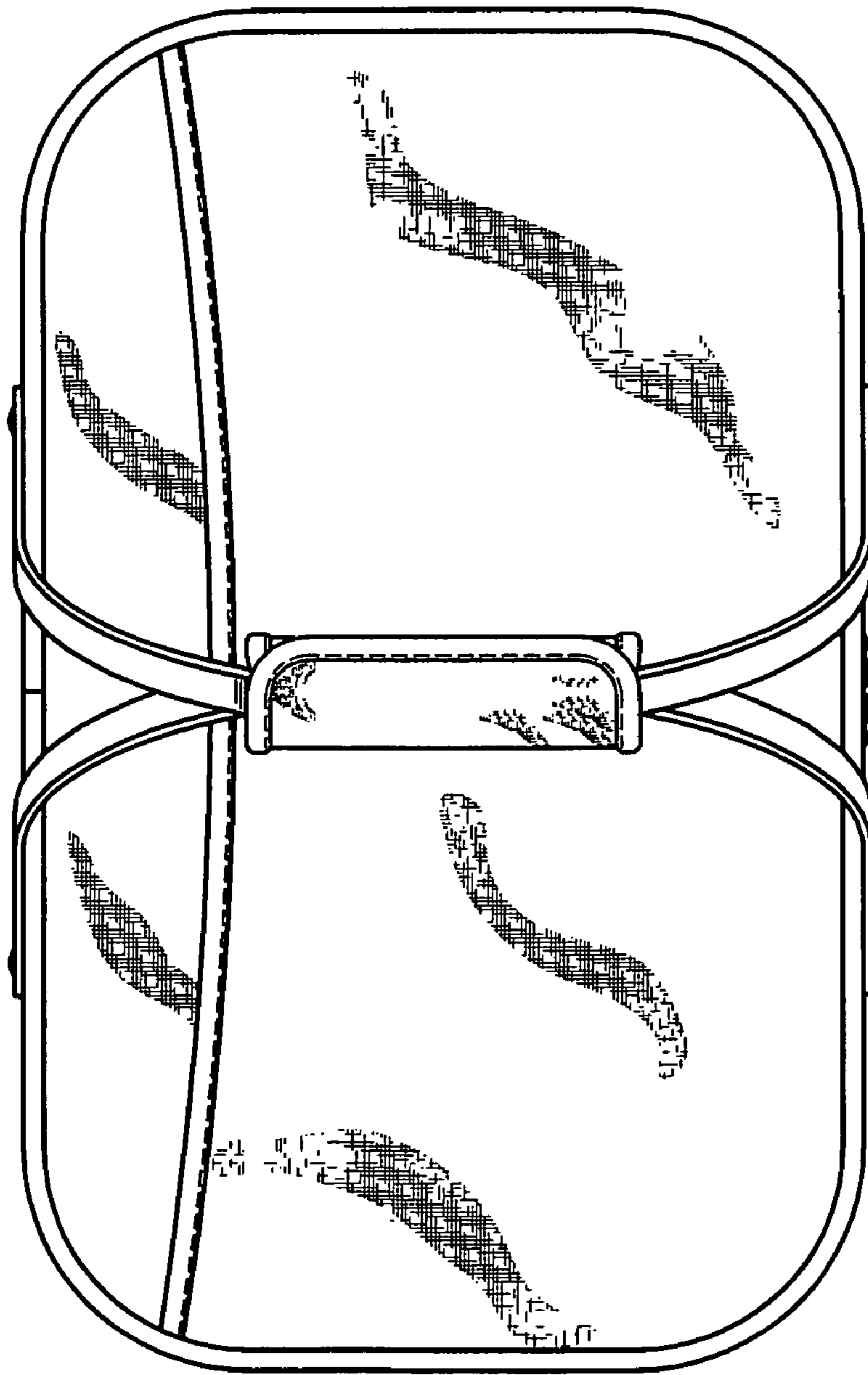


FIG. 6

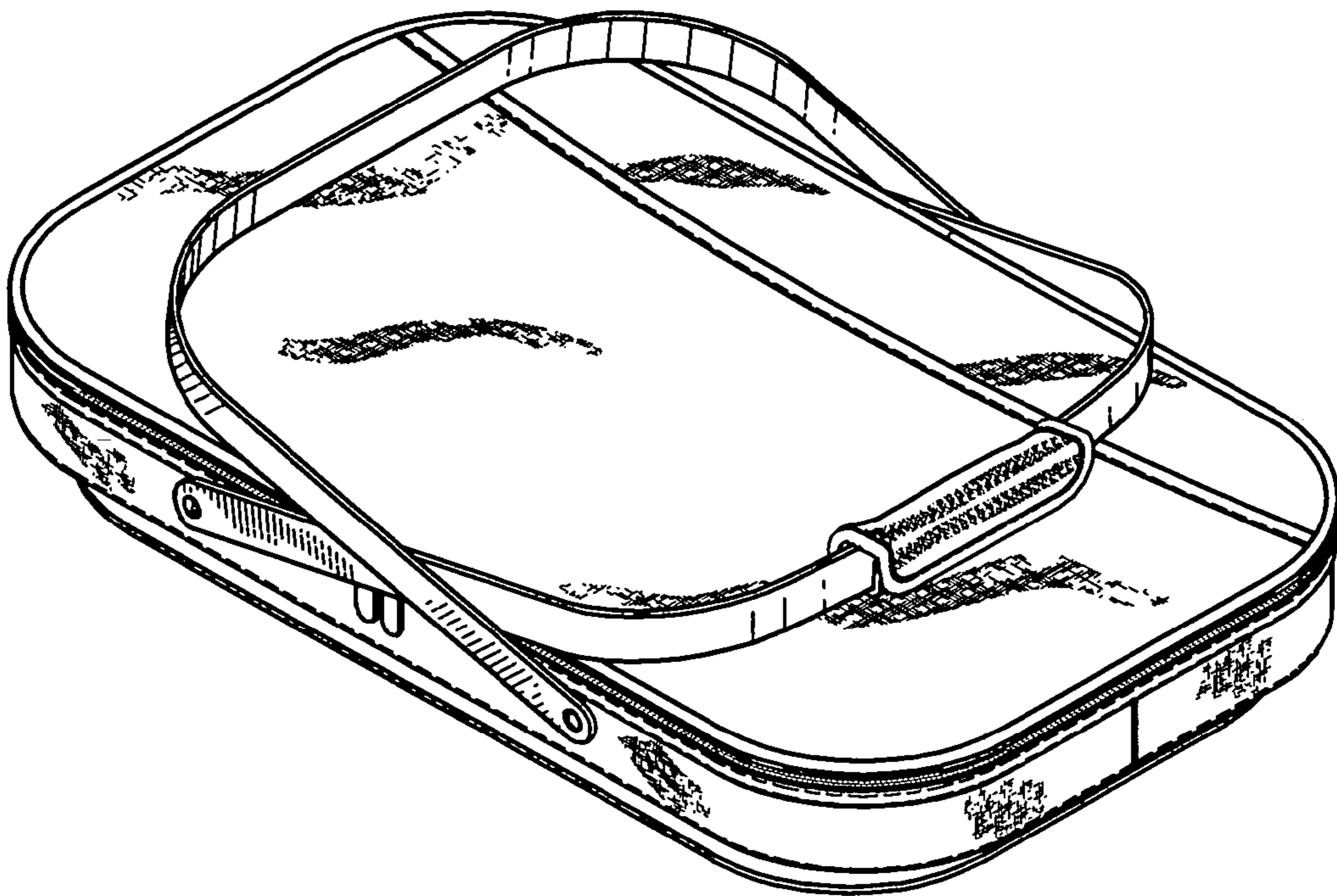


FIG. 7

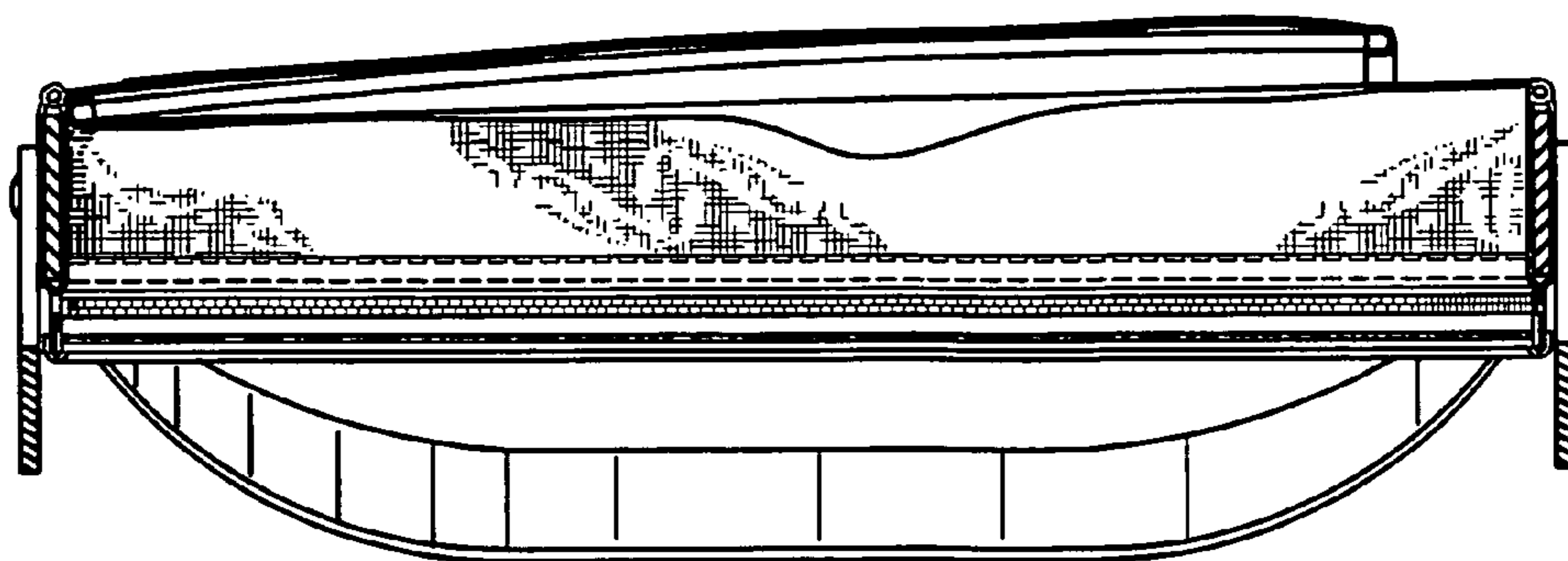
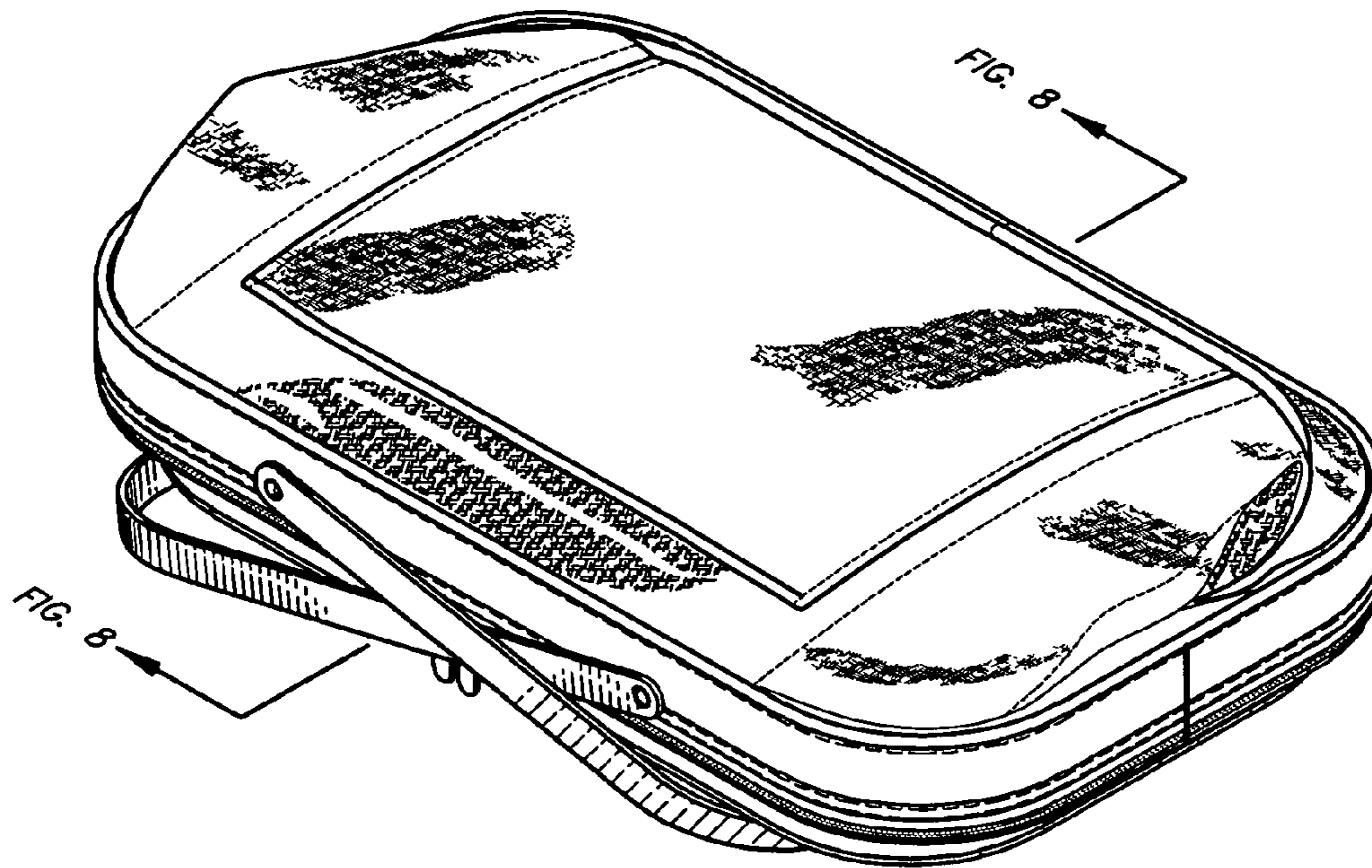


FIG. 8