

US00D642868S

(12) **United States Design Patent**  
**Shah**

(10) **Patent No.:** **US D642,868 S**

(45) **Date of Patent:** **\*\* \*Aug. 9, 2011**

(54) **CASSEROLE WITH CLIPS**

(75) Inventor: **Haresh Shah**, Mumbai (IN)

(73) Assignee: **Tokyo Plast International Ltd.**,  
Mumbai (IN)

(\*\*) Term: **14 Years**

(21) Appl. No.: **29/366,290**

(22) Filed: **Jul. 22, 2010**

(30) **Foreign Application Priority Data**

Jun. 30, 2010 (IN) ..... 230036

(51) **LOC (9) Cl.** ..... **07-01**

(52) **U.S. Cl.** ..... **D7/538**

(58) **Field of Classification Search** ..... D7/360,  
D7/542, 538, 586, 587, 500, 601, 358, 543,  
D7/545, 548; 220/574, 377, 625, 369, 912,  
220/366.1; 126/384.1; 99/403; D9/504,  
D9/558; D28/82

See application file for complete search history.

(56) **References Cited**

**U.S. PATENT DOCUMENTS**

D115,160 S \* 6/1939 Stopa ..... D7/629  
D475,620 S \* 6/2003 Chen et al. .... D9/425  
D489,530 S \* 5/2004 Lindsay ..... D3/302  
D493,073 S \* 7/2004 Kim ..... D7/629

6,793,096 B1 \* 9/2004 Seok ..... 220/788  
D562,083 S \* 2/2008 Lown et al. .... D7/629  
D566,484 S \* 4/2008 George ..... D7/629  
D582,218 S \* 12/2008 Curtin ..... D7/629  
D601,383 S 10/2009 Shah  
D610,879 S \* 3/2010 Kim ..... D7/629  
D617,150 S \* 6/2010 Olivari ..... D7/538  
D618,515 S \* 6/2010 Roth et al. .... D7/629  
D620,257 S \* 7/2010 Fujimura et al. .... D3/294  
D634,477 S \* 3/2011 Morabito ..... D28/82

\* cited by examiner

*Primary Examiner* — Cynthia Underwood

(74) *Attorney, Agent, or Firm* — Notaro, Michalos &  
Zaccaria P.C.

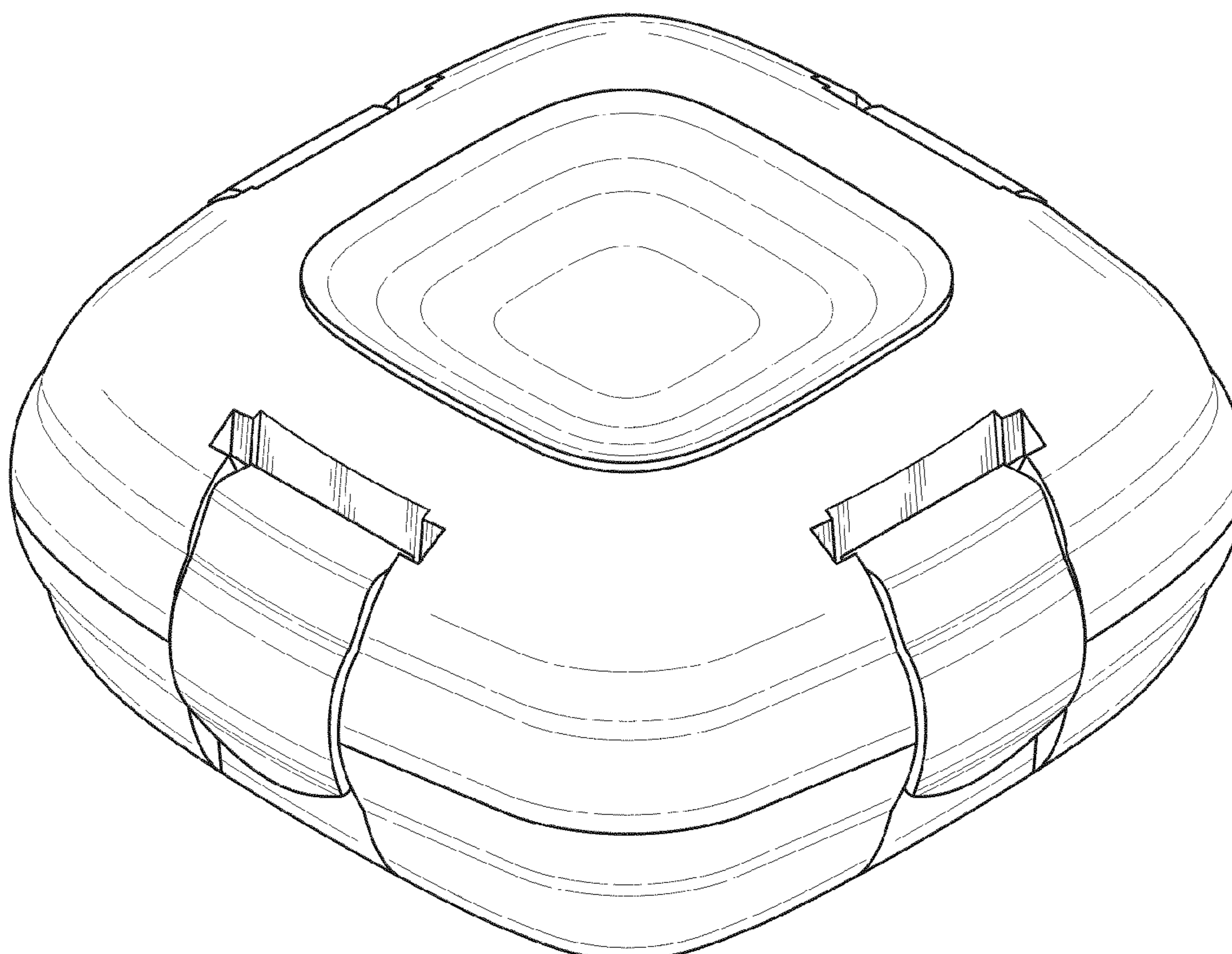
(57) **CLAIM**

The ornamental design for a casserole with clips, as shown  
and described.

**DESCRIPTION**

FIG. 1 is a top, front, right perspective view of a casserole  
with clips showing my design therefor;  
FIG. 2 is a front elevational view thereof the sides and rear  
elevational views being identical;  
FIG. 3 is a top plan view thereof the parts in phantom line at  
the inner base of each clip forming no part of the design; and,  
FIG. 4 is a bottom plan view thereof the central part of the  
view being surrounded in phantom line and forming no part of  
the design.

**1 Claim, 4 Drawing Sheets**



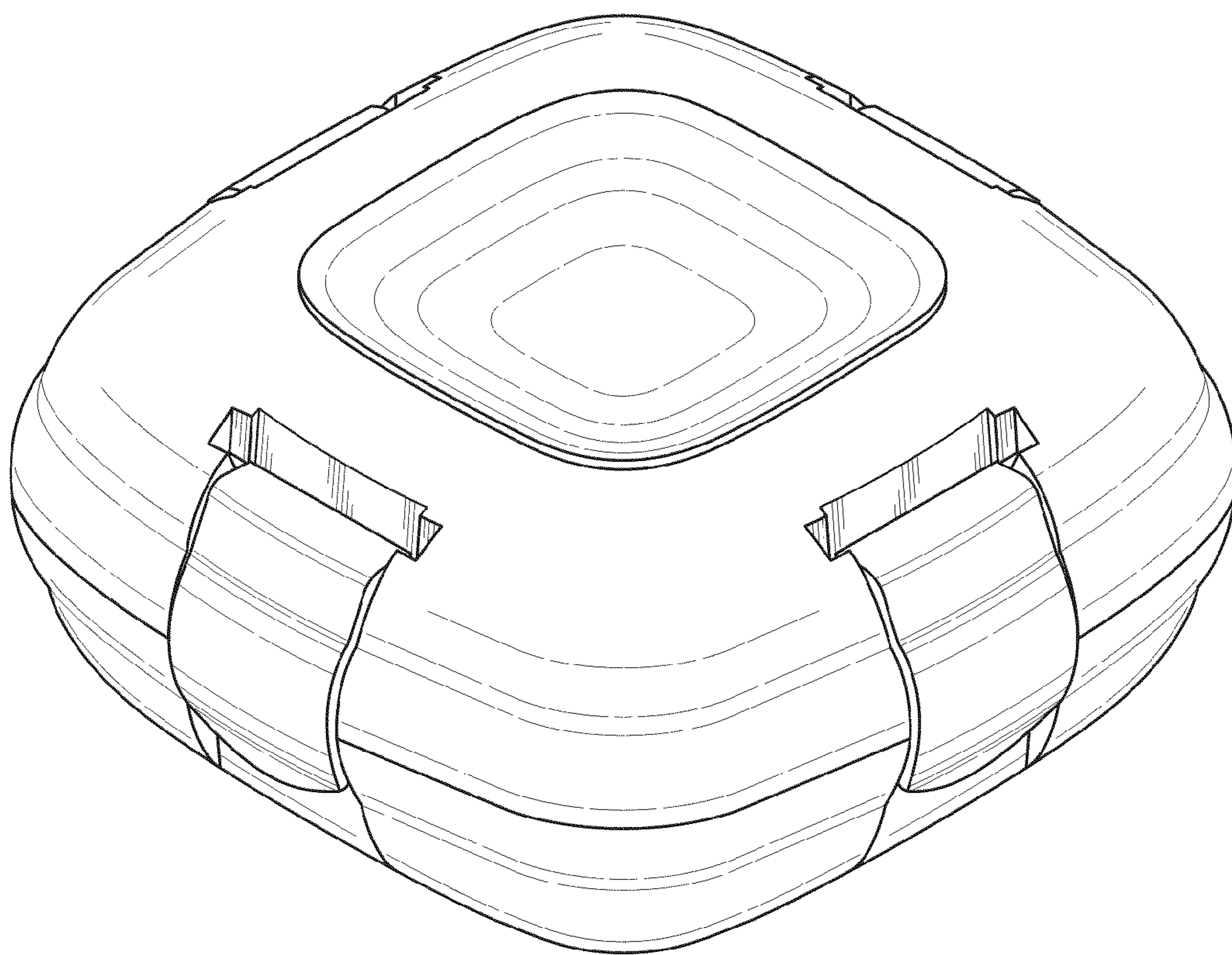


FIG. 1

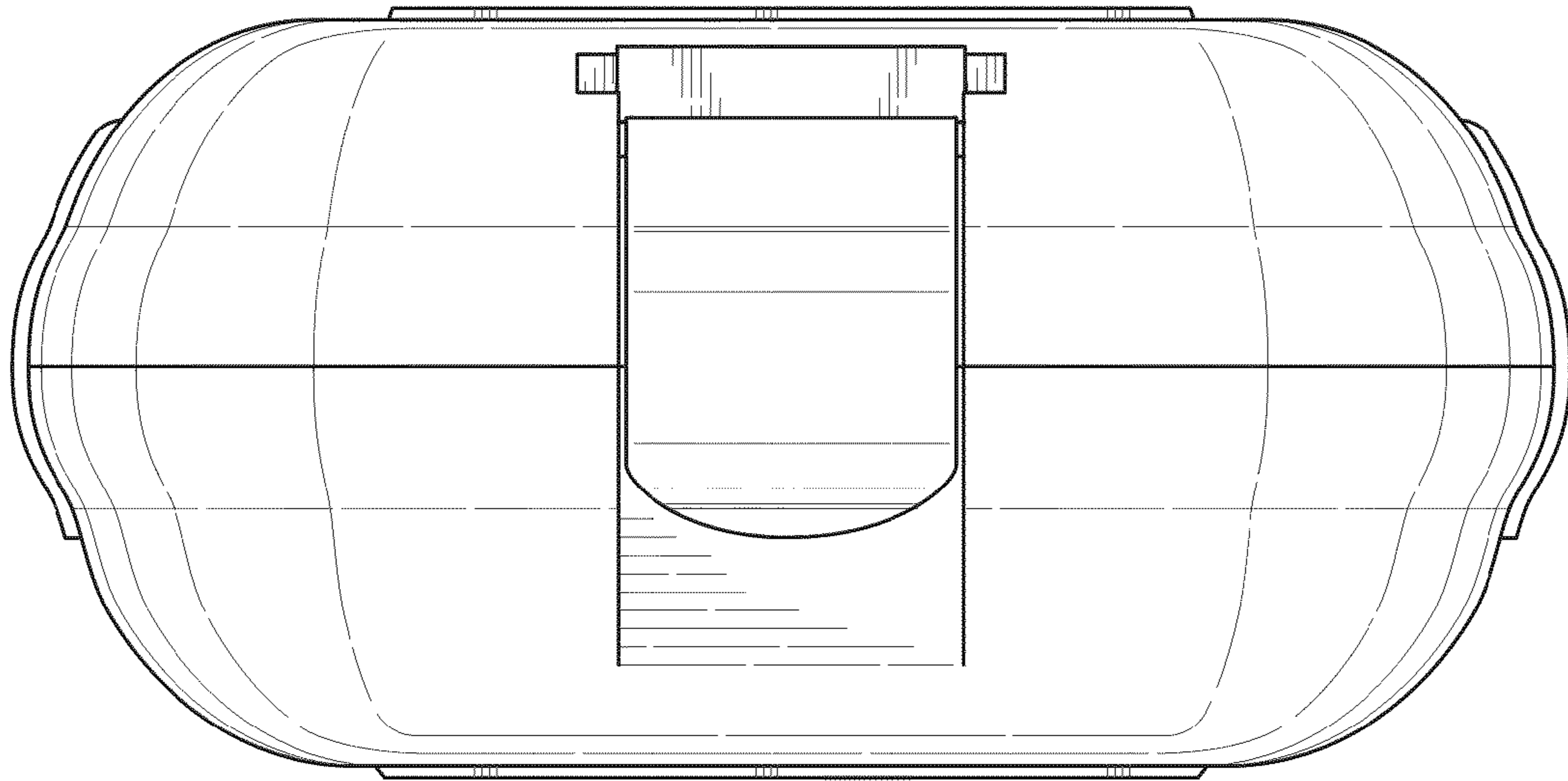


FIG. 2

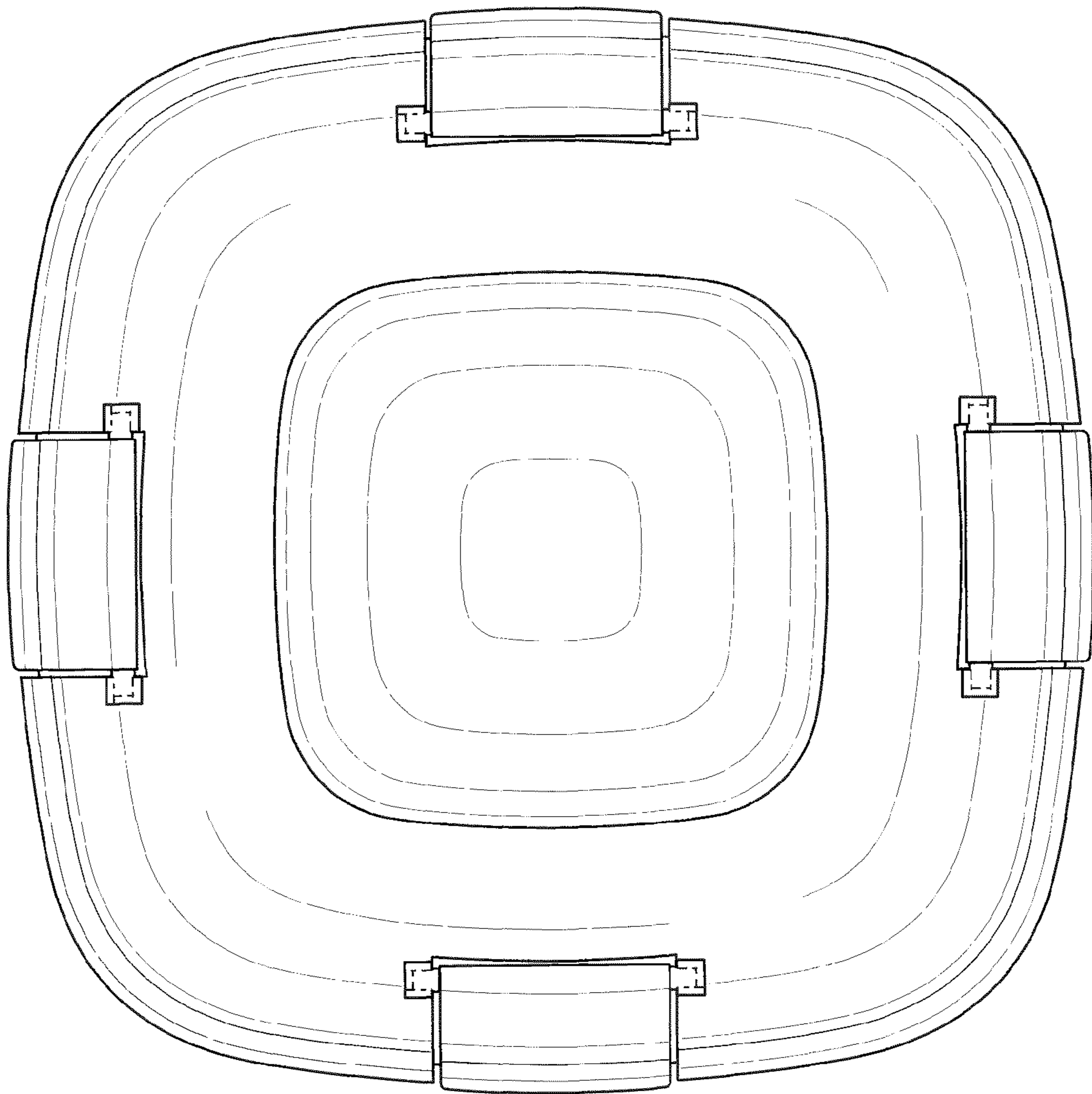


FIG. 3

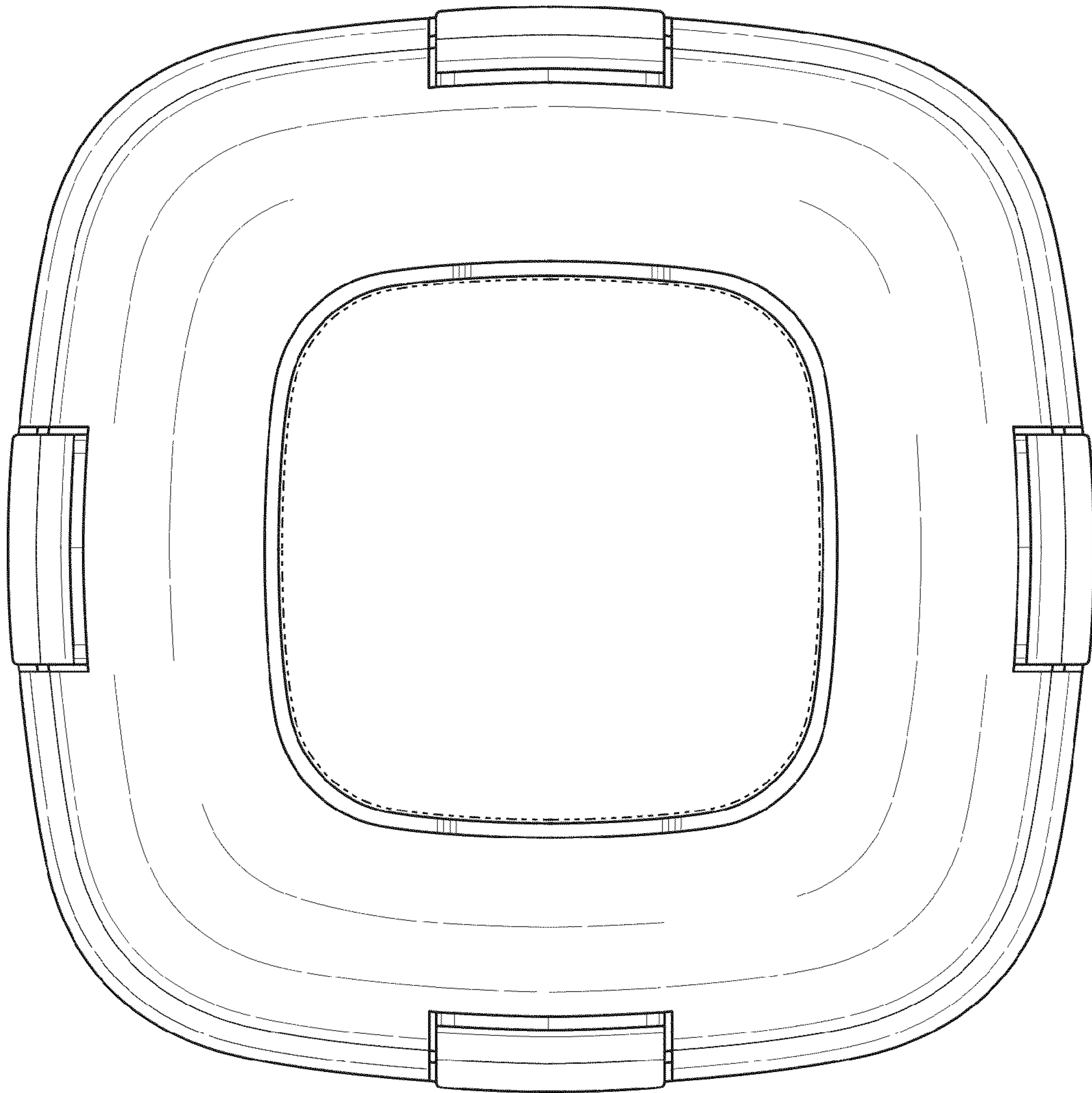


FIG. 4