



US00D642863S

(12) **United States Design Patent**
Tobias

(10) **Patent No.:** **US D642,863 S**

(45) **Date of Patent:** **** Aug. 9, 2011**

(54) **CUP WITH AN INTEGRAL LID**
(75) Inventor: **Glenn Tobias**, Los Angeles, CA (US)
(73) Assignee: **Earthkare Packaging Innovations Company**, Los Angeles, CA (US)
(**) Term: **14 Years**

D530,852 S * 10/2006 Zheng D27/148
D548,012 S * 8/2007 Tien D7/532
7,681,754 B1 * 3/2010 Ross 220/714
D622,547 S * 8/2010 Carreno D7/510
D623,476 S * 9/2010 Carlson et al. D7/510
D631,293 S * 1/2011 Ross D7/510
2006/0043100 A1 3/2006 Johnson et al.
2009/0223969 A1 9/2009 Bouie
* cited by examiner

(21) Appl. No.: **29/349,314**

Primary Examiner — Marianne Pandozzi

(22) Filed: **Mar. 24, 2010**

(74) *Attorney, Agent, or Firm* — Thomas I. Rozsa

(51) **LOC (9) Cl.** **07-01**

(57) **CLAIM**

(52) **U.S. Cl.** **D7/510; D7/511**

The ornamental design for a cup with an integral lid, as shown and described.

(58) **Field of Classification Search** D7/510,
D7/511, 523, 531; 220/713, 740, 592.17,
220/711; 229/400, 404; 215/387

DESCRIPTION

See application file for complete search history.

FIG. 1 is a perspective view of a cup with an integral lid showing my new design, the cup shown in the closed condition

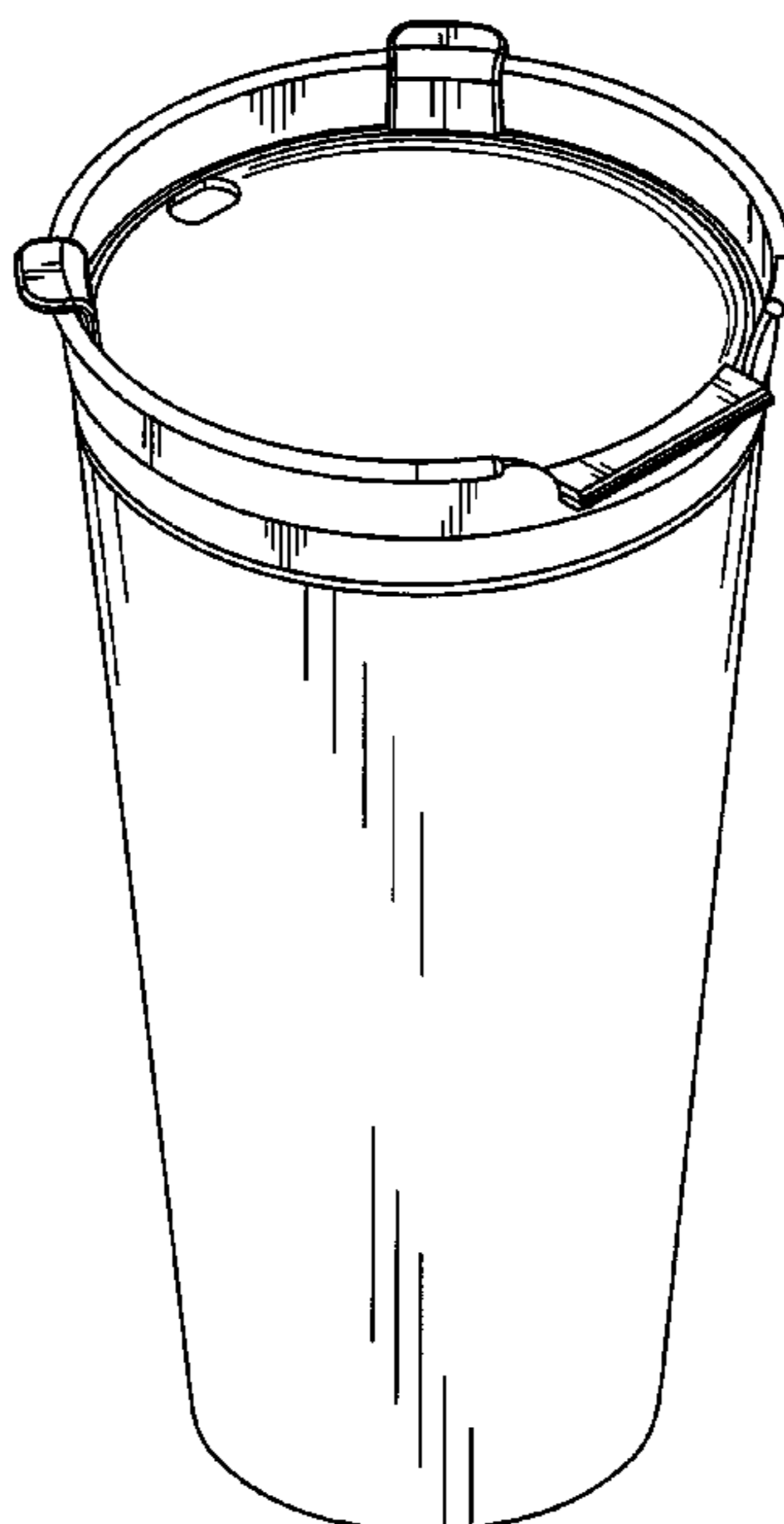
(56) **References Cited**

U.S. PATENT DOCUMENTS

2,690,861	A	10/1954	Tupper	
D189,586	S	2/1961	Nalle, Jr.	
D192,296	S	2/1962	Numan	
3,194,468	A	7/1965	Baron	
D204,783	S	5/1966	Johnson	
D212,352	S	10/1968	Davis	
3,437,253	A	4/1969	Davis et al.	
3,443,715	A	5/1969	Edwards	
3,606,262	A	9/1971	Hoff	
3,860,135	A	1/1975	Yung et al.	
D248,358	S	7/1978	Thomas	
5,310,081	A	5/1994	McCabe	
5,312,011	A	5/1994	Fischer	
5,667,094	A	9/1997	Rapchak et al.	
5,765,716	A *	6/1998	Cai et al.	220/740
6,164,488	A	12/2000	Solland et al.	
D437,733	S	2/2001	Kaposi	
6,571,981	B2	6/2003	Rohlfs	
6,601,728	B1	8/2003	Newkirk et al.	
6,955,289	B2	10/2005	Green	

FIG. 2 is a top plan view thereof;
FIG. 3 is a bottom plan view thereof;
FIG. 4 is a front elevational view thereof;
FIG. 5 is a rear elevational view thereof;
FIG. 6 is a side elevational view when viewed from the left side, the right side elevational view being a mirror image thereof;
FIG. 7 is a perspective view of the cup with an integral lid, with the cup shown in the open condition;
FIG. 8 is a top plan view thereof;
FIG. 9 is a bottom plan view thereof;
FIG. 10 is a front elevational view thereof;
FIG. 11 is a rear elevational view thereof; and,
FIG. 12 is a side elevational view when viewed from the left side, the right side elevational view being a mirror image thereof;

1 Claim, 12 Drawing Sheets



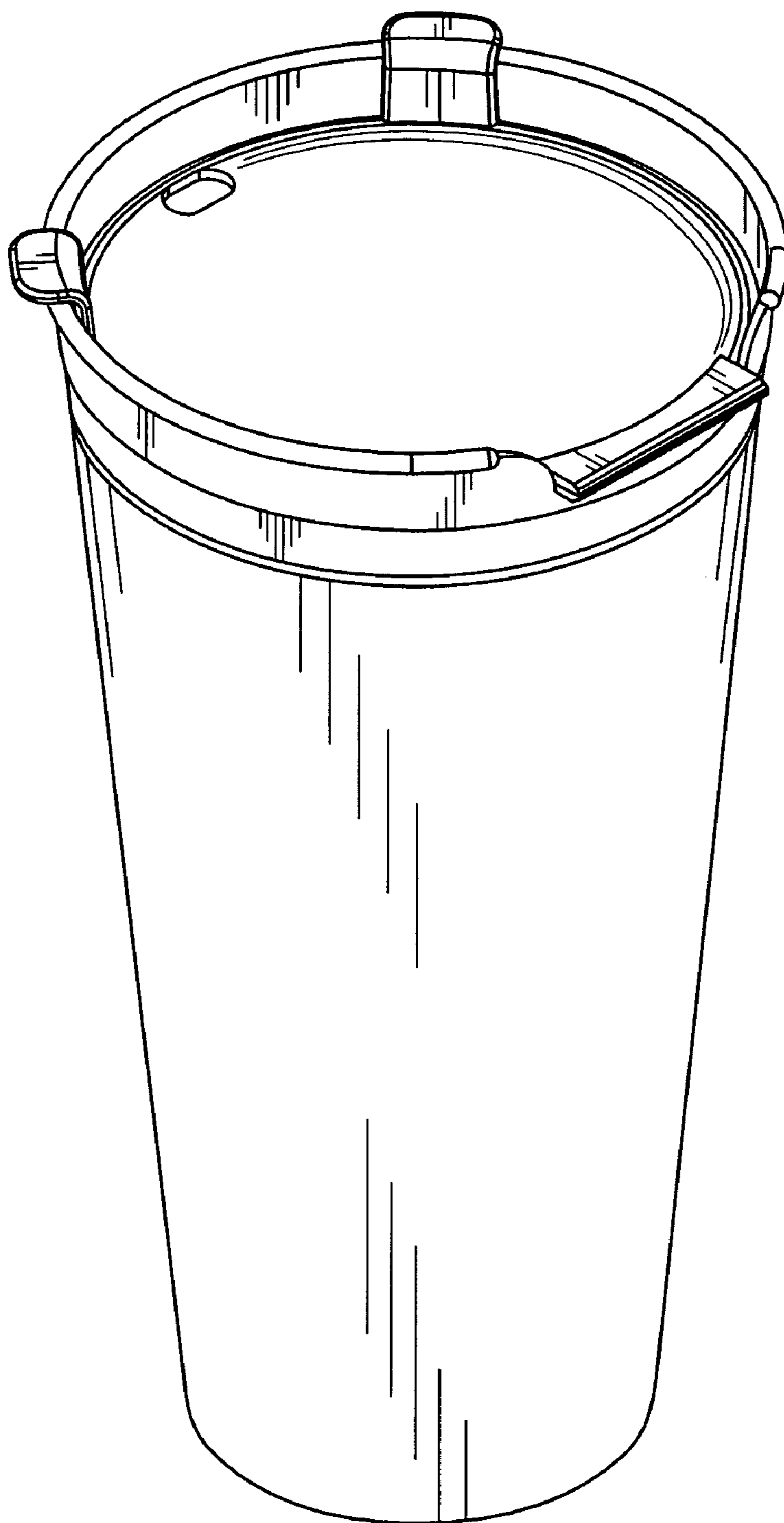


FIG. 1

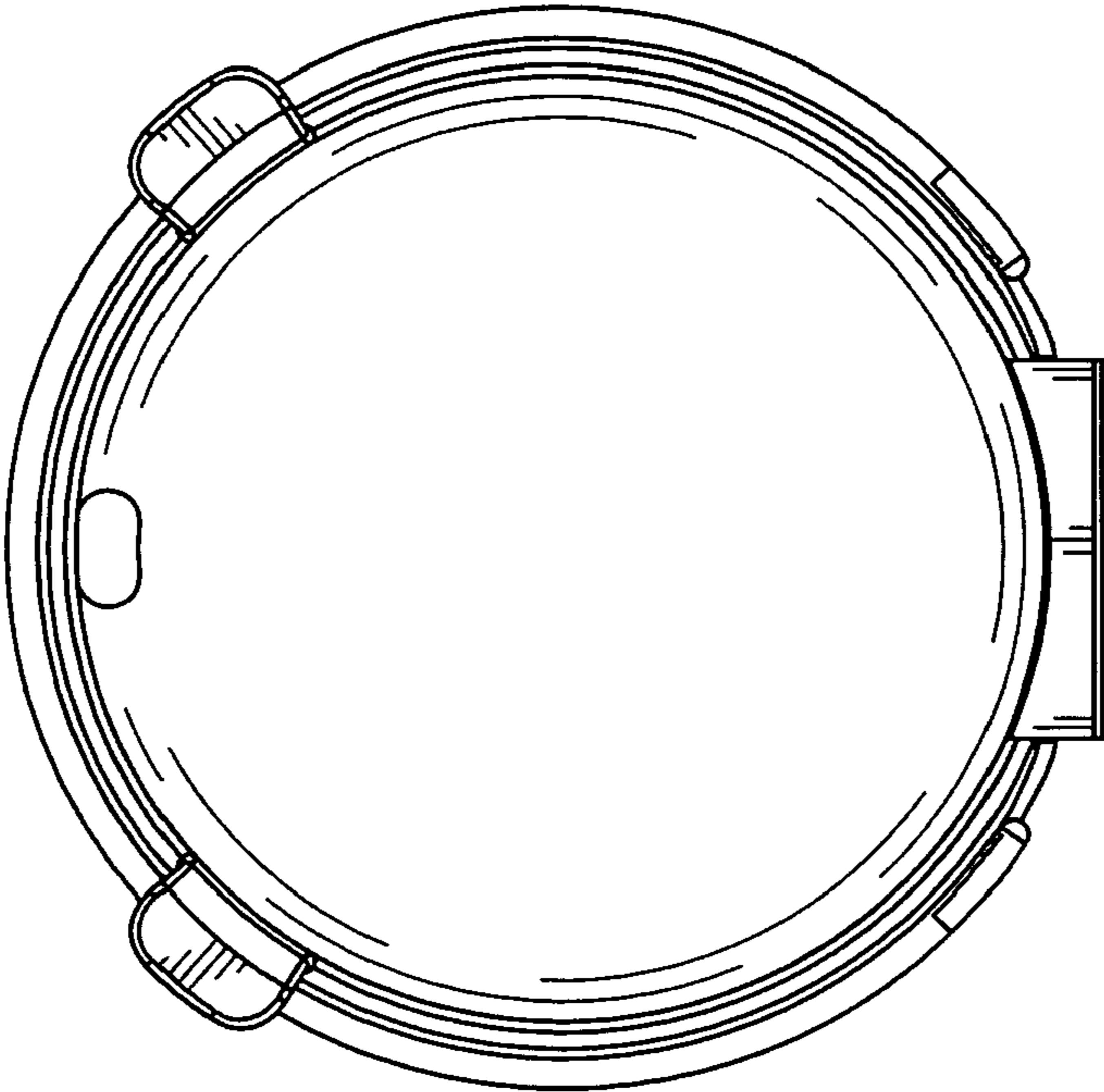


FIG. 2

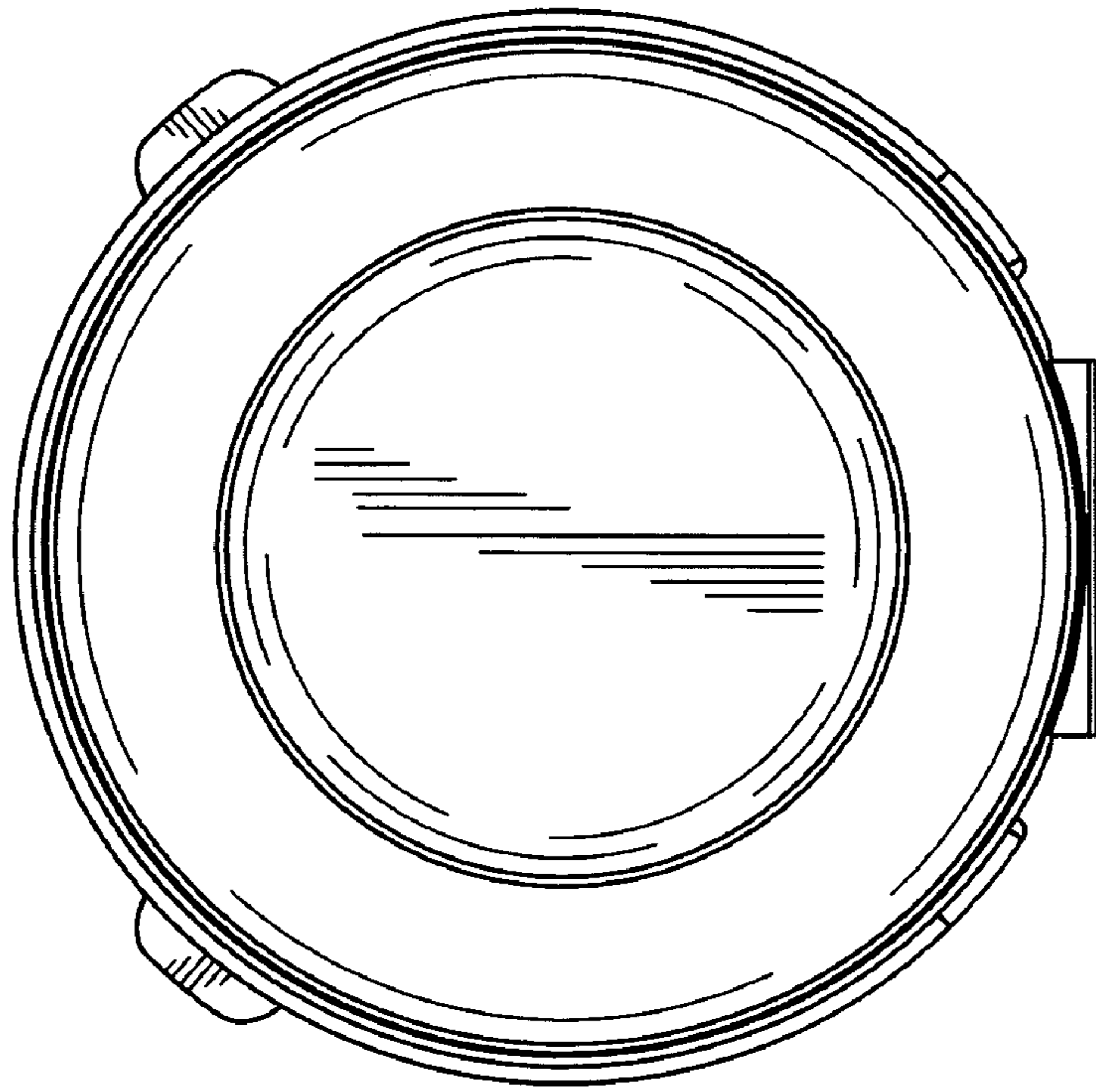


FIG. 3

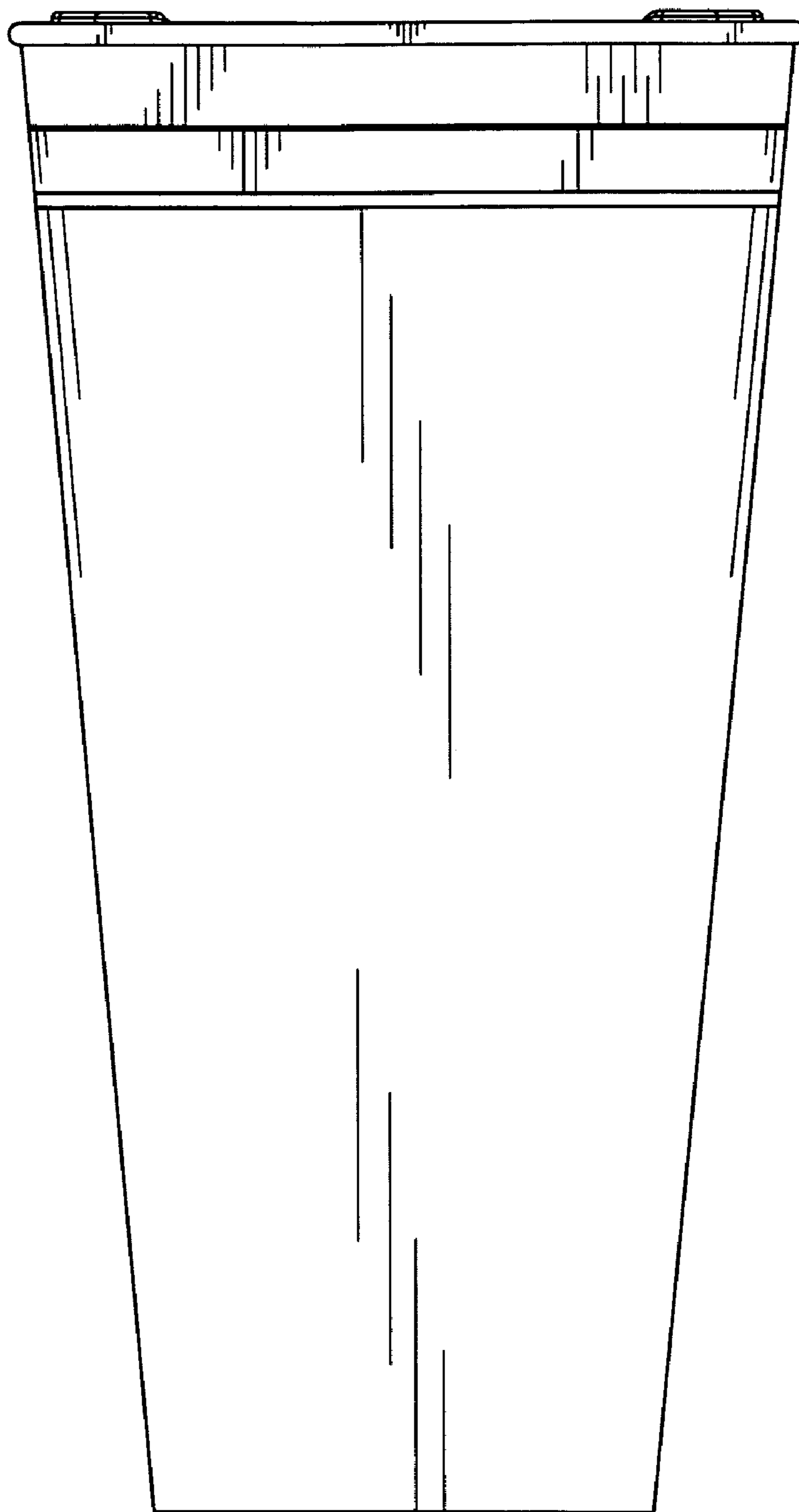


FIG. 4

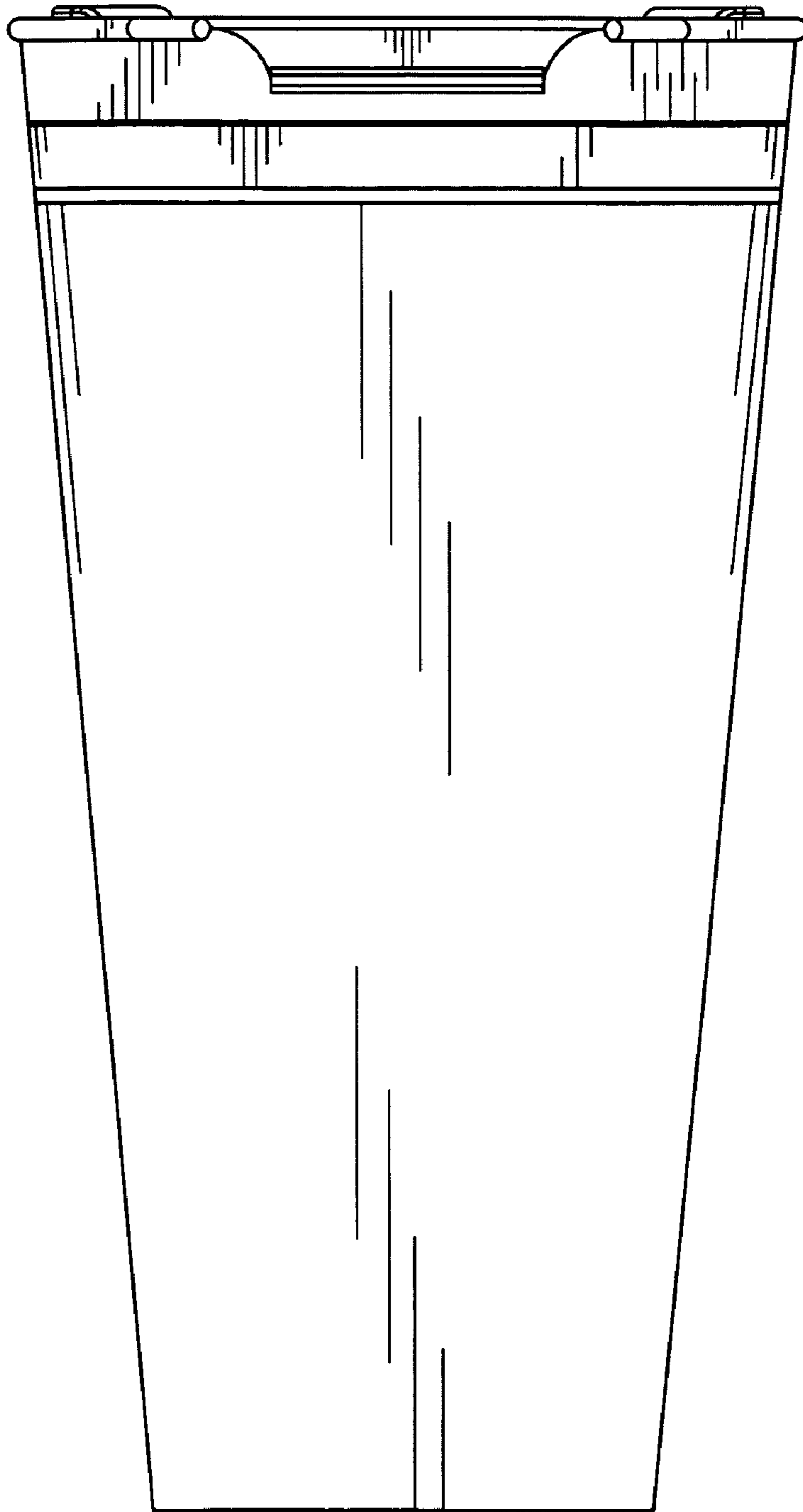


FIG. 5

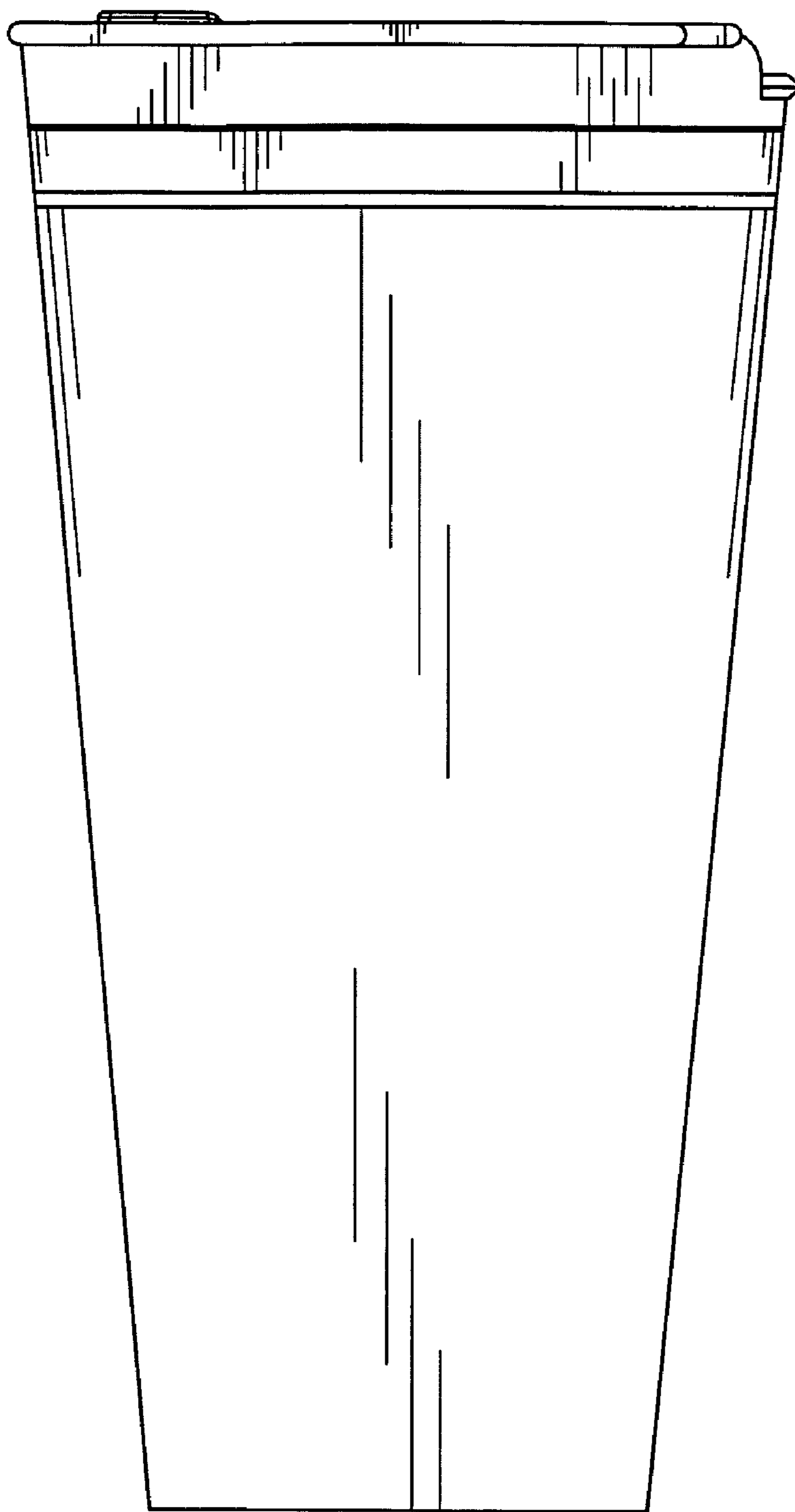


FIG. 6

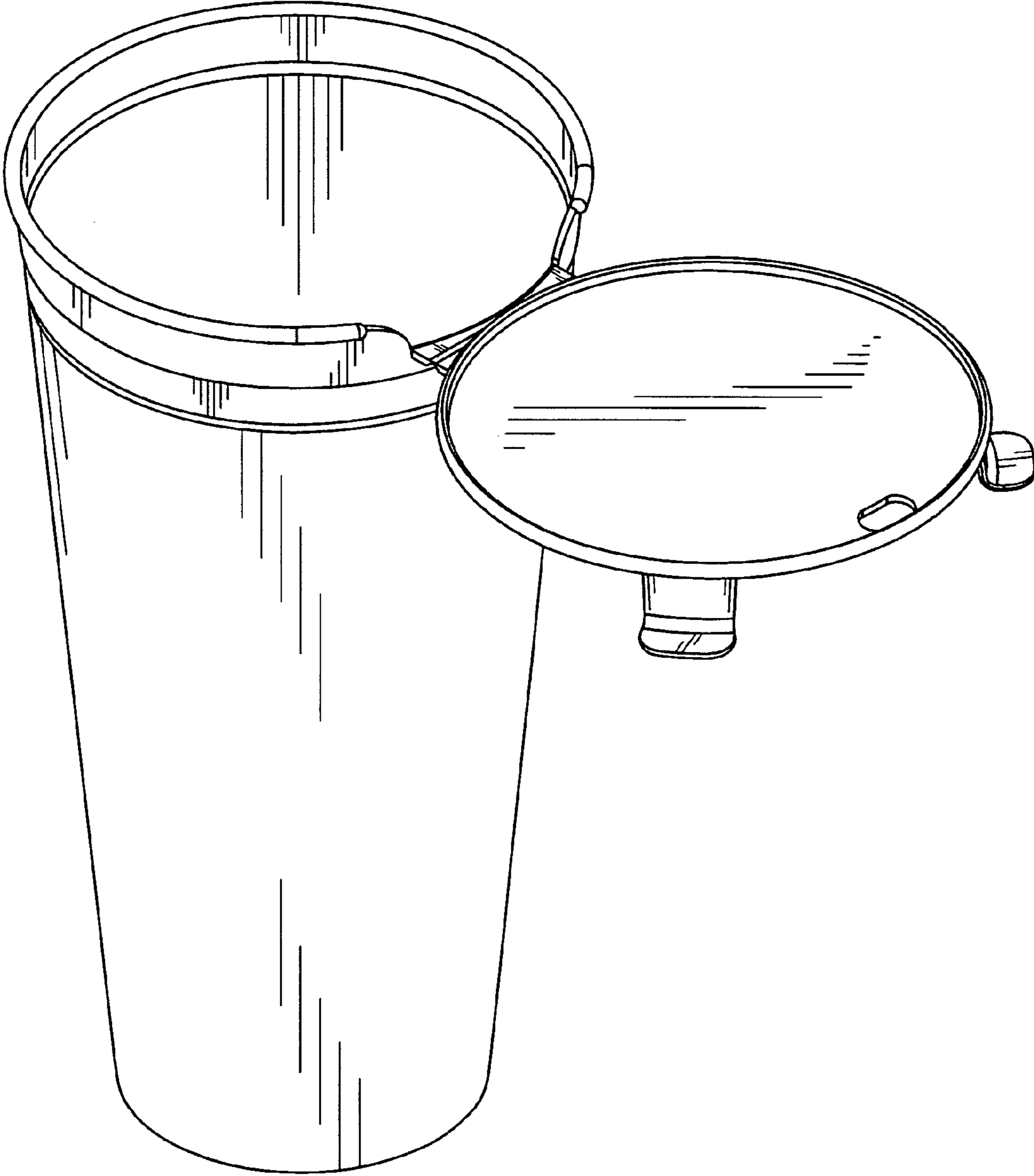


FIG. 7

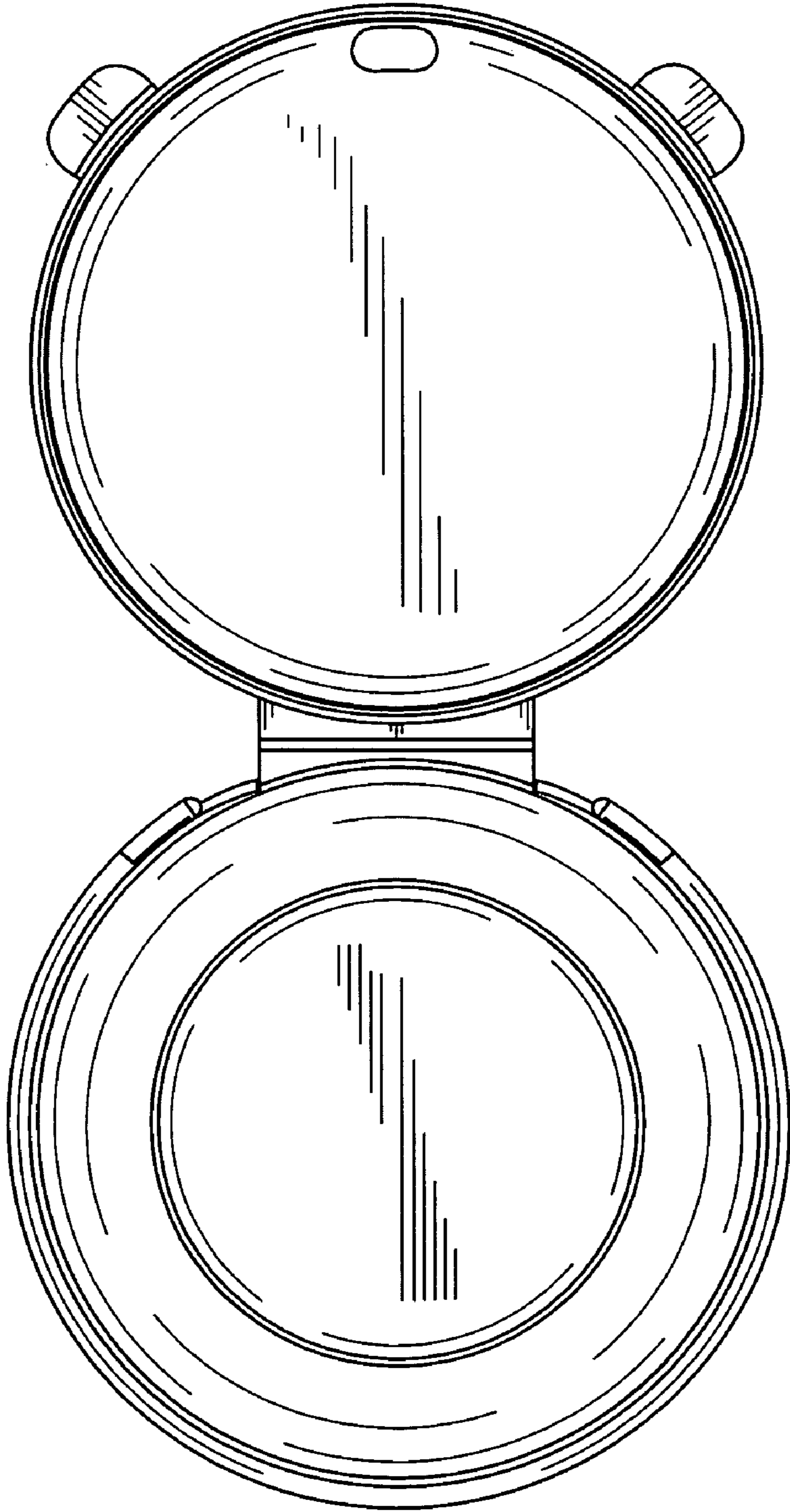


FIG. 8

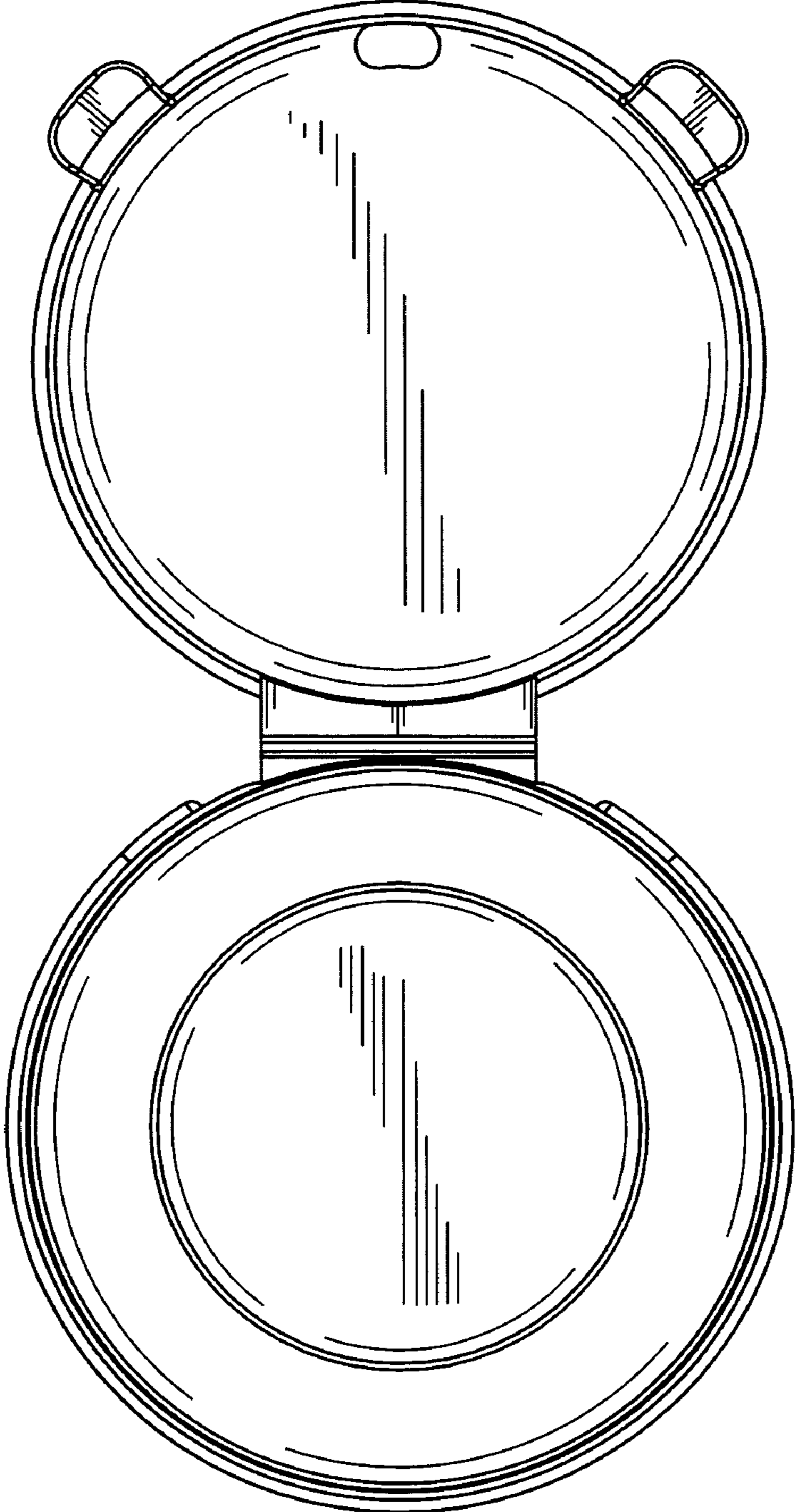


FIG. 9

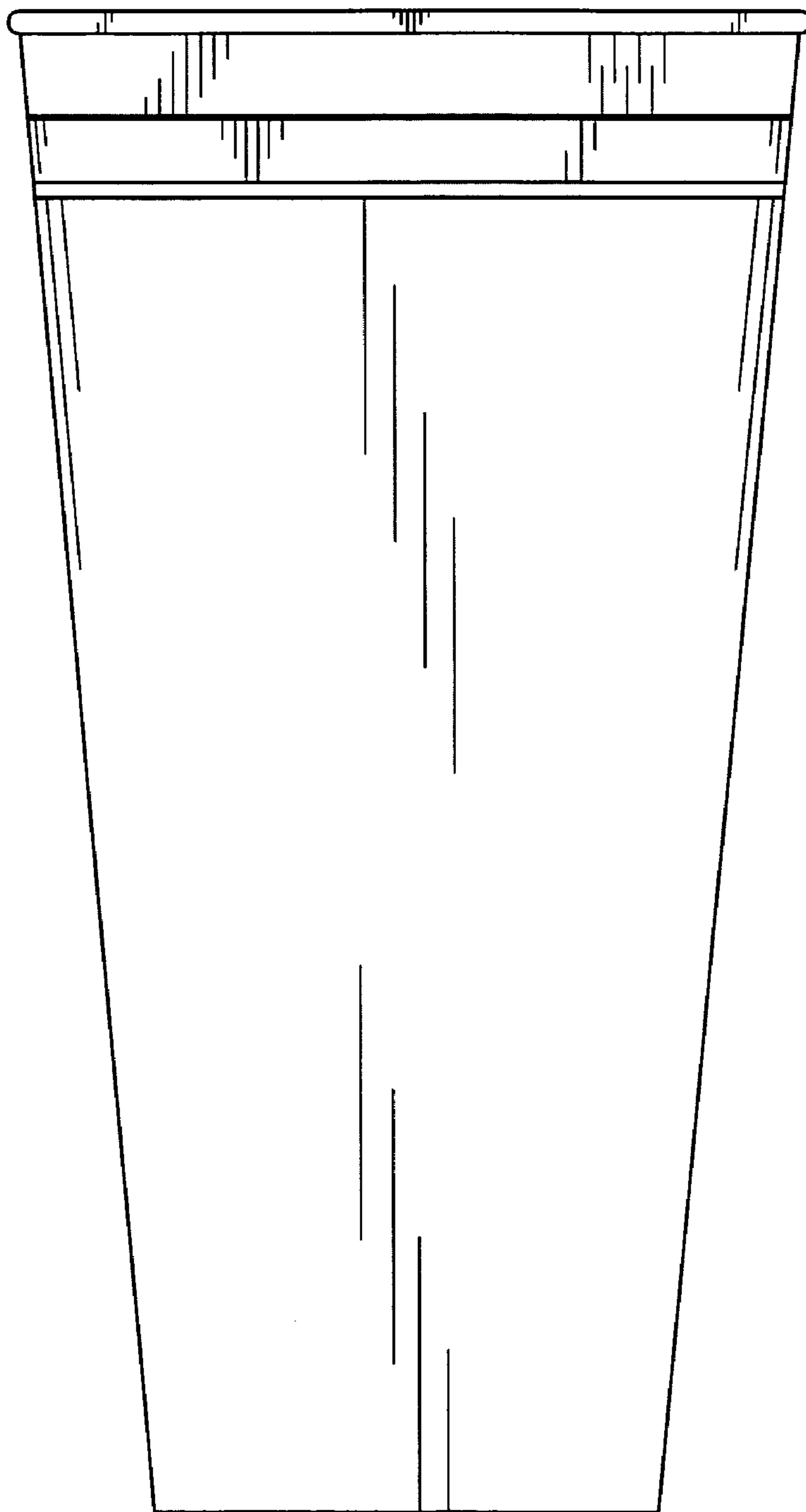


FIG. 10

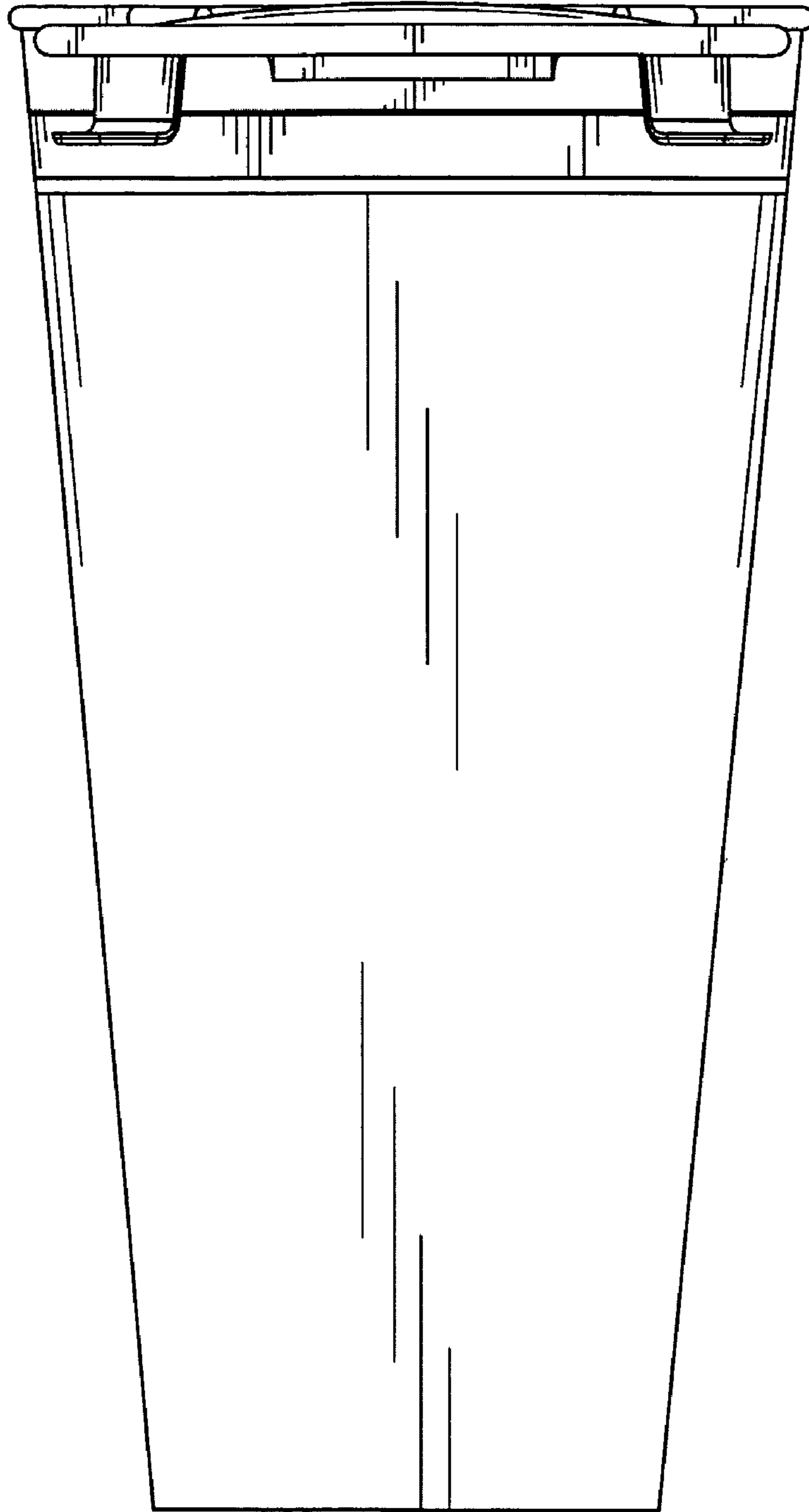


FIG. 11

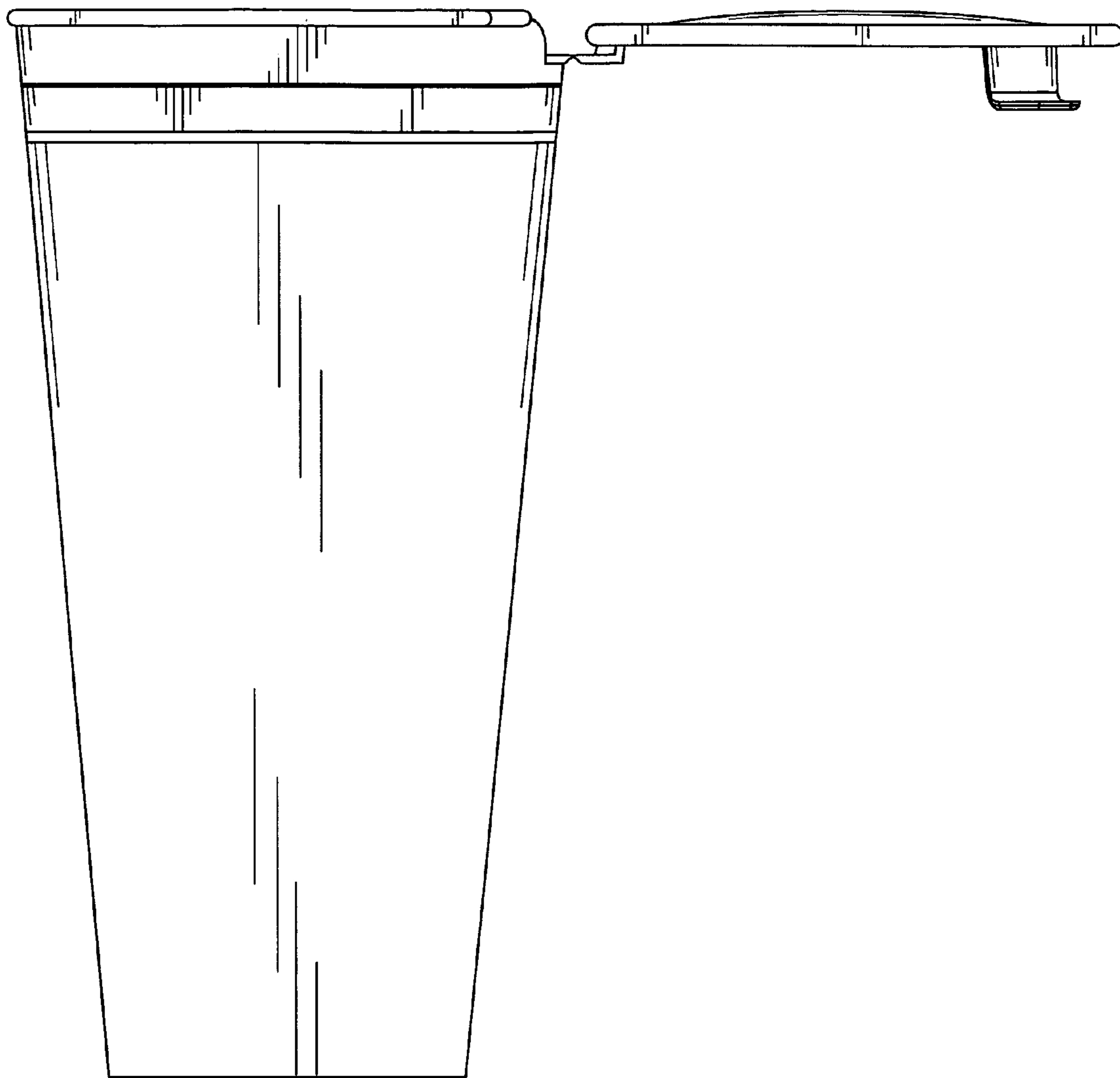


FIG. 12