



US00D642862S

(12) **United States Design Patent**
Tobias

(10) **Patent No.:** **US D642,862 S**

(45) **Date of Patent:** **** Aug. 9, 2011**

(54) **CUP WITH AN INTEGRAL LID**
(75) Inventor: **Glenn Tobias**, Los Angeles, CA (US)
(73) Assignee: **Earthkare Packaging Innovations Company**, Los Angeles, CA (US)

(**) Term: **14 Years**

(21) Appl. No.: **29/349,313**

(22) Filed: **Mar. 24, 2010**

(51) **LOC (9) Cl.** **07-01**

(52) **U.S. Cl.** **D7/510; D7/511; D7/531**

(58) **Field of Classification Search** D7/510,
D7/511, 523, 531; 220/713, 740, 592.17,
220/711; 229/400, 404; 215/387
See application file for complete search history.

(56) **References Cited**

U.S. PATENT DOCUMENTS

2,690,861	A	10/1954	Tupper	
D189,586	S	2/1961	Nalle, Jr.	
2,984,035	A *	5/1961	Nalle, Jr.	40/324
D192,296	S	2/1962	Numan	
3,194,468	A	7/1965	Baron	
D204,783	S	5/1966	Johnson	
D212,352	S	10/1968	Davis	
3,437,253	A	4/1969	Davis et al.	
3,443,715	A	5/1969	Edwards	
3,606,262	A	9/1971	Hoff	
3,860,135	A	1/1975	Yung et al.	
D248,358	S	7/1978	Thomas	
4,830,204	A *	5/1989	Lin	215/389
5,205,473	A *	4/1993	Coffin, Sr.	229/403
5,310,081	A	5/1994	McCabe	
5,312,011	A	5/1994	Fischer	
5,667,094	A	9/1997	Rapchak et al.	
5,765,716	A *	6/1998	Cai et al.	220/740
6,164,488	A	12/2000	Solland et al.	
D436,294	S *	1/2001	Marck	D7/511
D437,733	S	2/2001	Kaposi	
D475,578	S *	6/2003	Hurlbut et al.	D7/533
6,571,981	B2	6/2003	Rohlfs	
6,601,728	B1	8/2003	Newkirk et al.	
D509,707	S *	9/2005	Tien	D7/510

6,955,289	B2	10/2005	Green	
D511,653	S *	11/2005	Oas	D7/507
D530,852	S *	10/2006	Zheng	D27/148
7,140,510	B2 *	11/2006	Portman et al.	220/712
D548,012	S *	8/2007	Tien	D7/532
7,681,754	B1 *	3/2010	Ross	220/714
D621,659	S *	8/2010	Liu	D7/510
D622,547	S *	8/2010	Carreno	D7/510
D623,476	S *	9/2010	Carlson et al.	D7/510
D628,435	S *	12/2010	Furlong et al.	D7/396.4
D631,293	S *	1/2011	Ross	D7/510
2009/0043100	A1	2/2009	Johnson et al.	
2009/0223969	A1	9/2009	Bouie	

* cited by examiner

Primary Examiner — Marianne Pandozzi

(74) *Attorney, Agent, or Firm* — Thomas I. Rozsa

(57) **CLAIM**

The ornamental design for a cup with an integral lid, as shown and described.

DESCRIPTION

FIG. 1 is a perspective view of a cup with an integral lid, showing my new design, the cup shown in the closed condition

FIG. 2 is a top plan view thereof;

FIG. 3 is a bottom plan view thereof;

FIG. 4 is a front elevational view thereof;

FIG. 5 is a rear elevational view thereof;

FIG. 6 is a side elevational view when viewed from the left side, the right side elevational view being a mirror image thereof;

FIG. 7 is a perspective view of the cup with an integral lid, with the cup shown in the open condition;

FIG. 8 is a top plan view thereof;

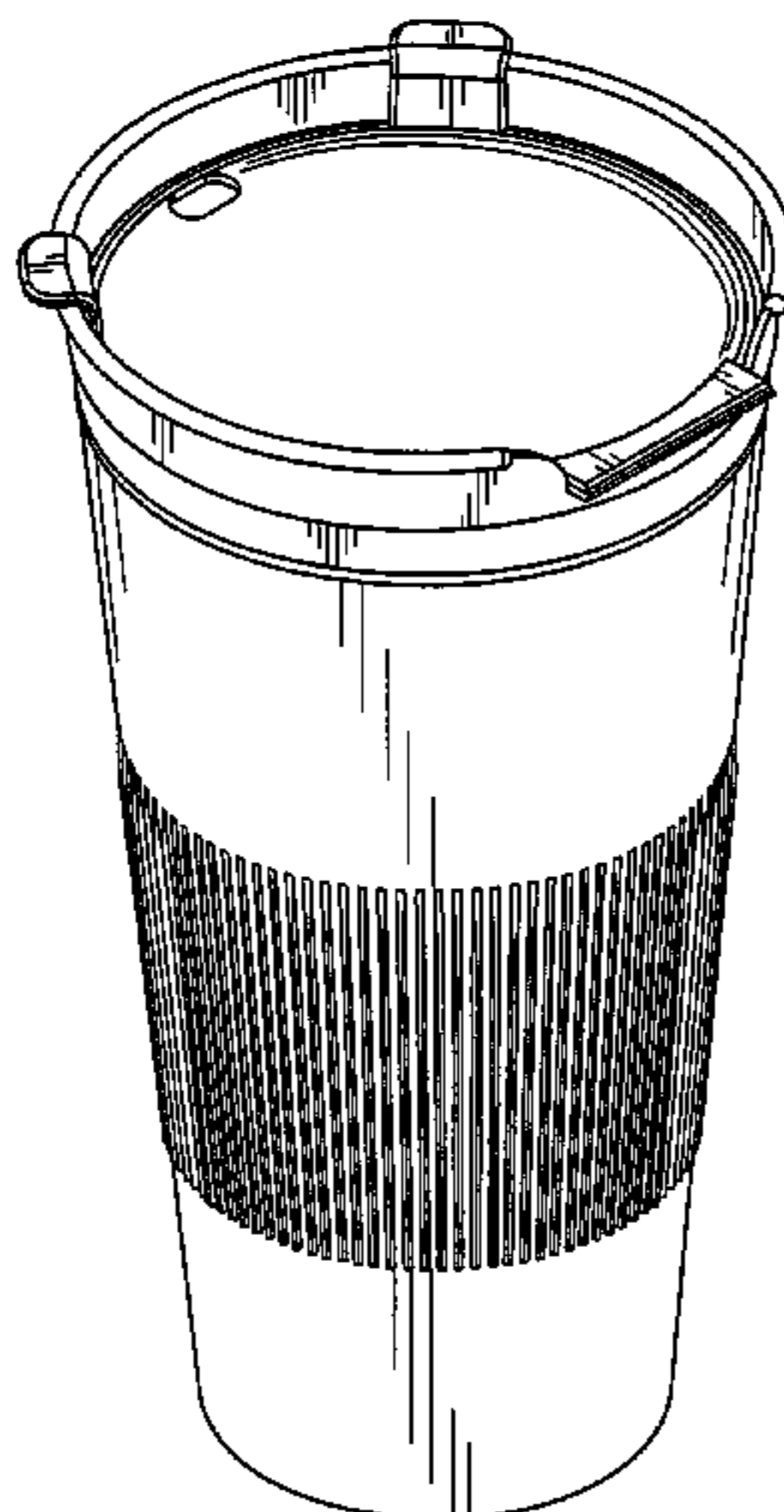
FIG. 9 is a bottom plan view thereof;

FIG. 10 is a front elevational view thereof;

FIG. 11 is a rear elevational view thereof; and,

FIG. 12 is a side elevational view when viewed from the left side, the right side elevational view being a mirror image thereof.

1 Claim, 12 Drawing Sheets



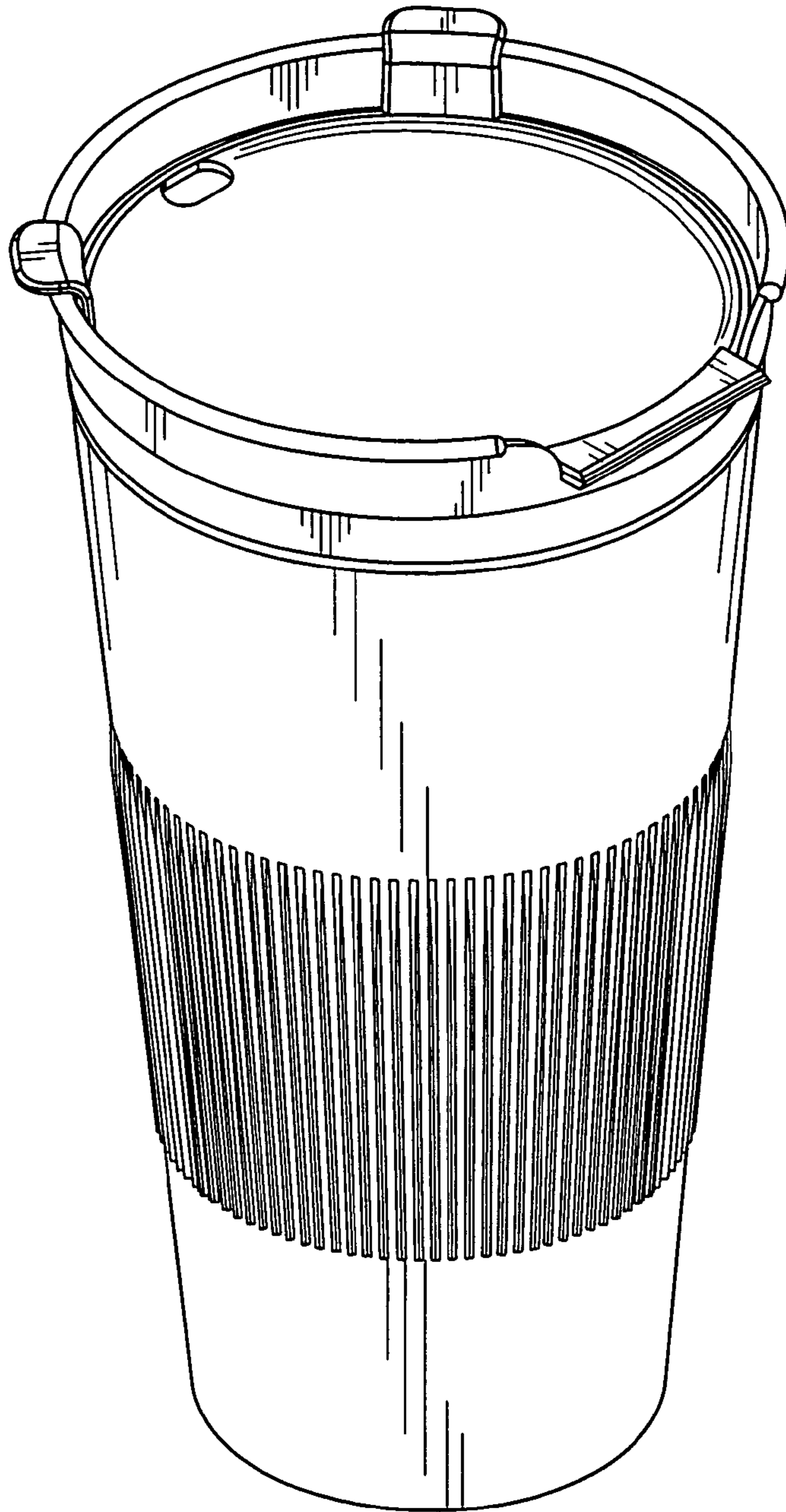


FIG. 1

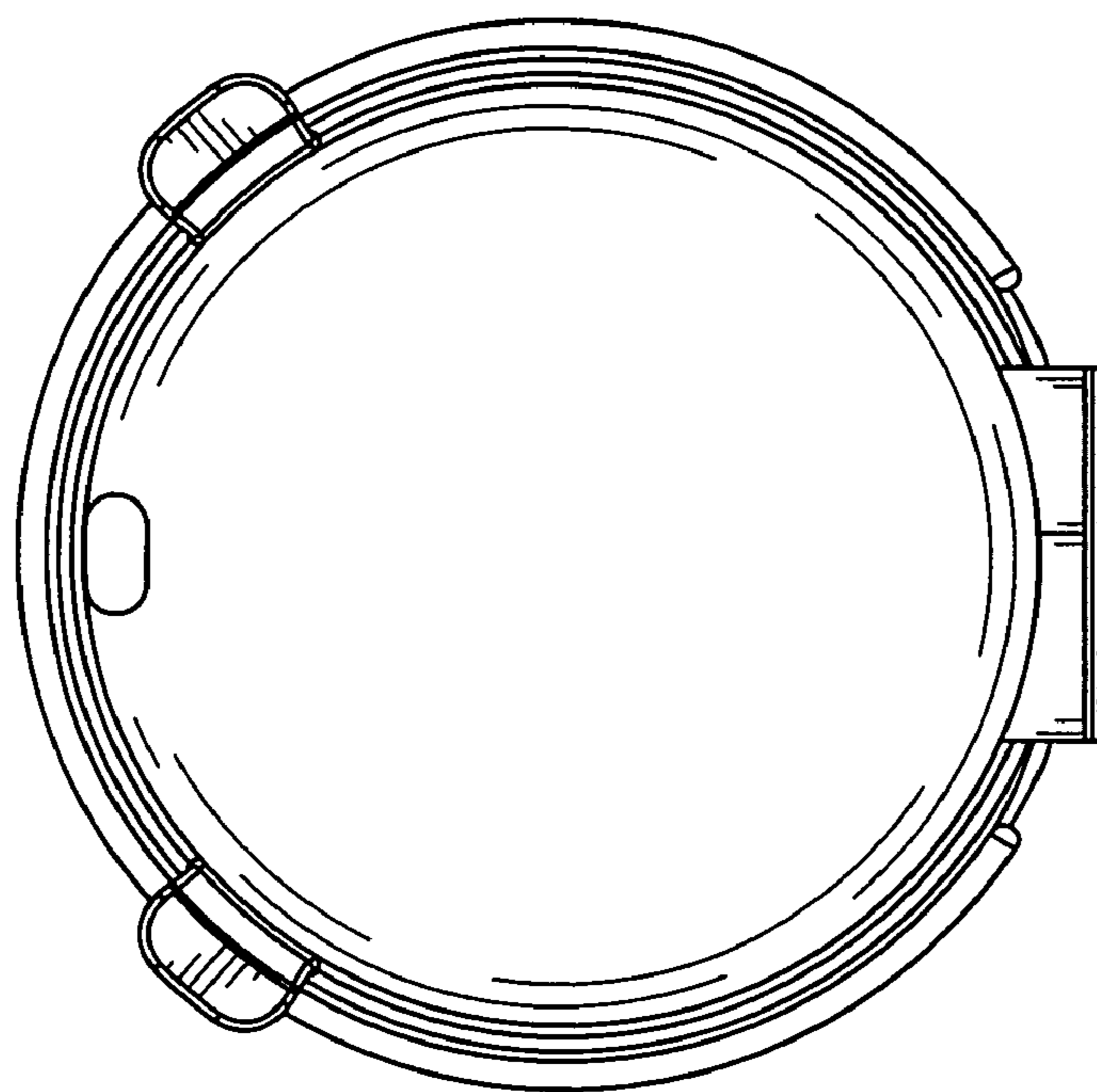


FIG. 2

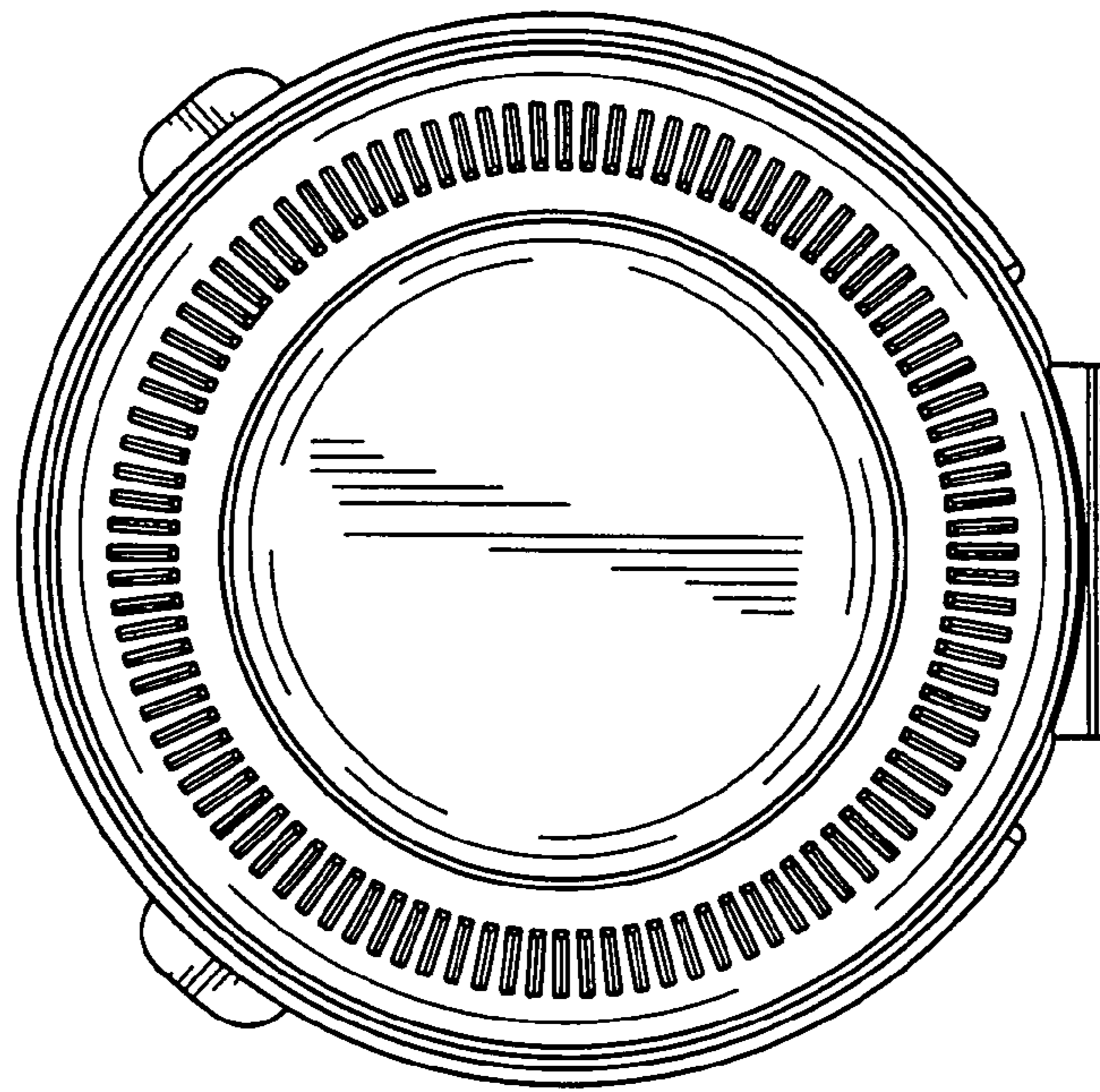


FIG. 3

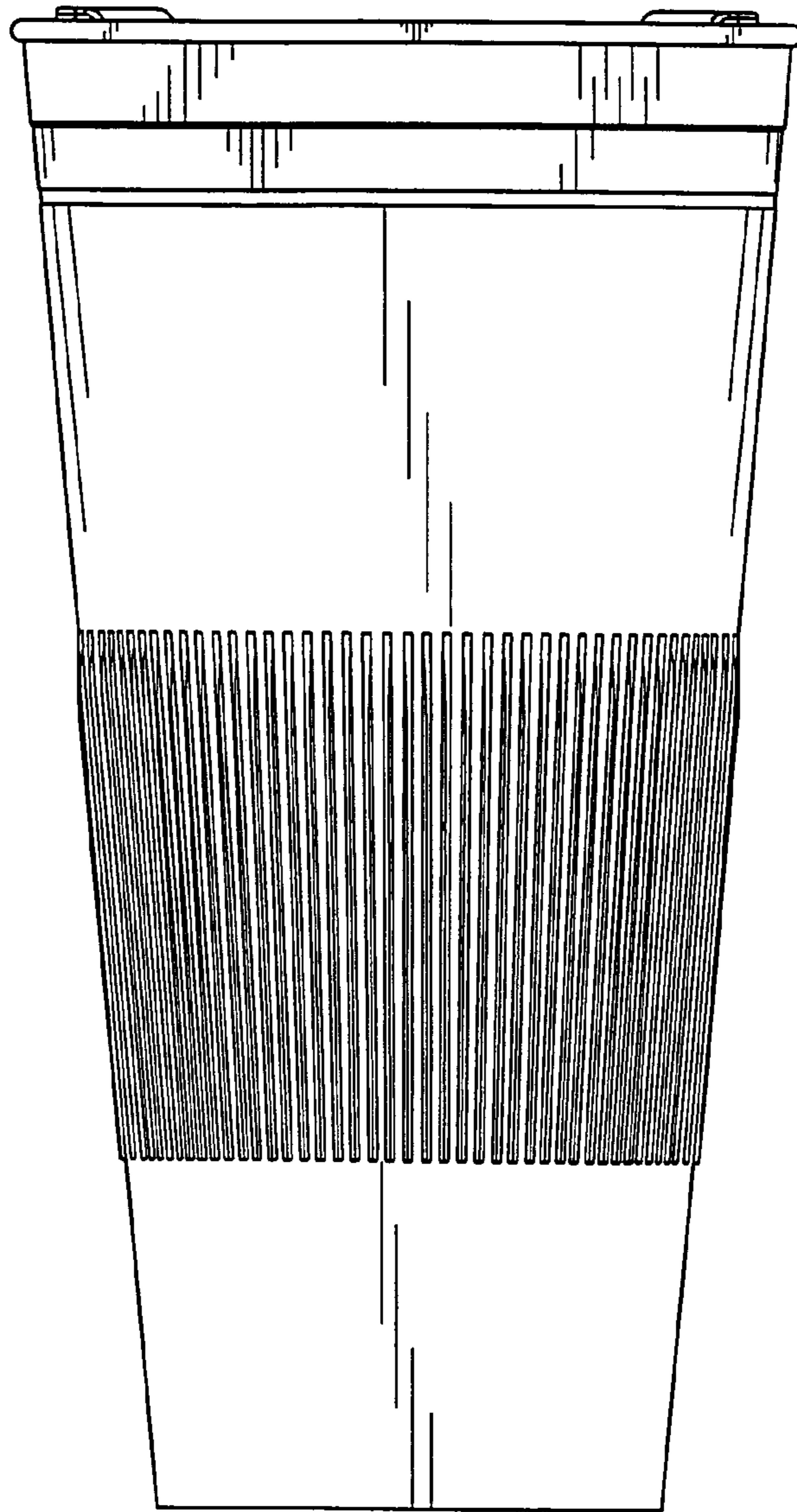


FIG. 4

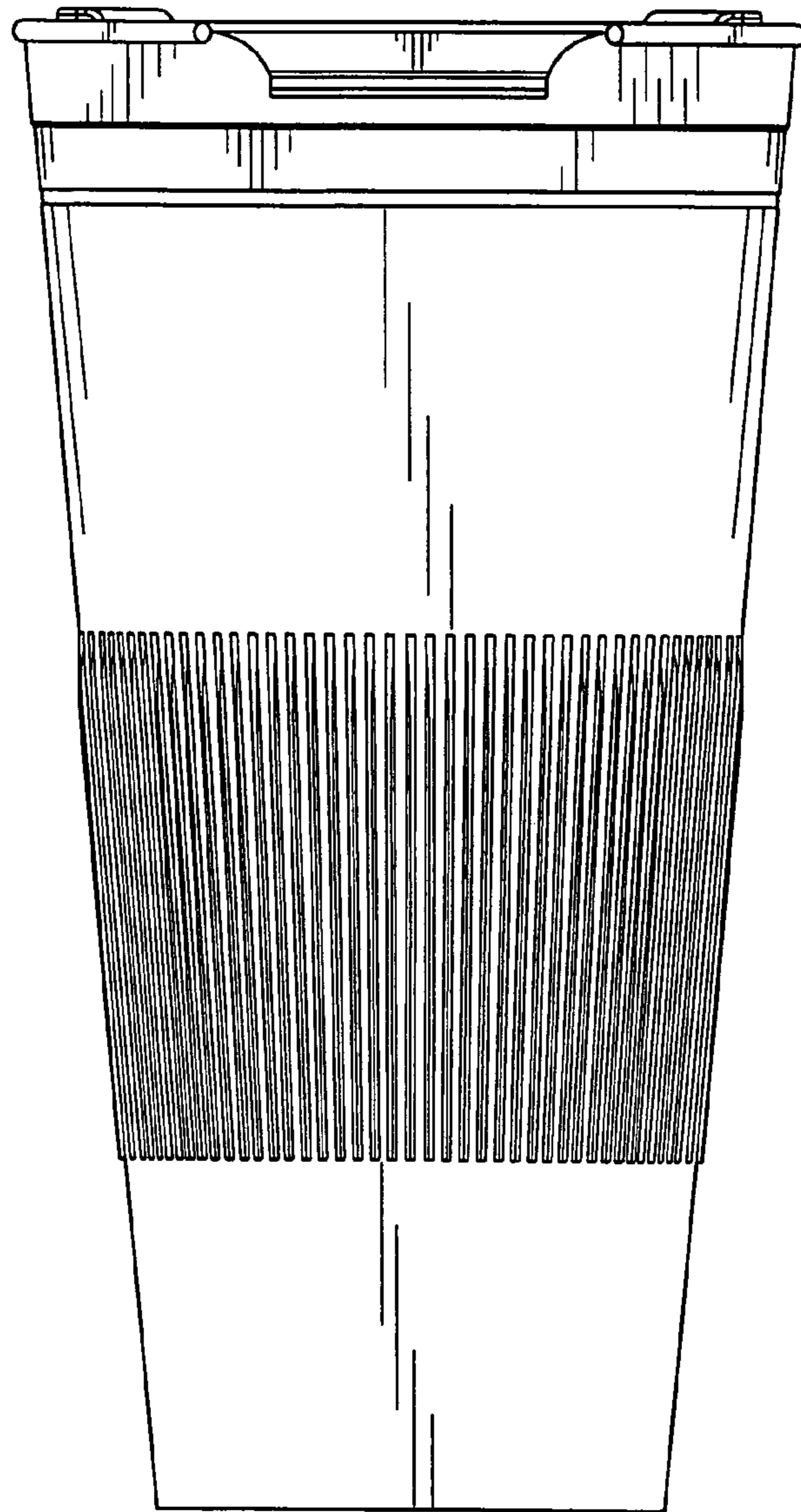


FIG. 5

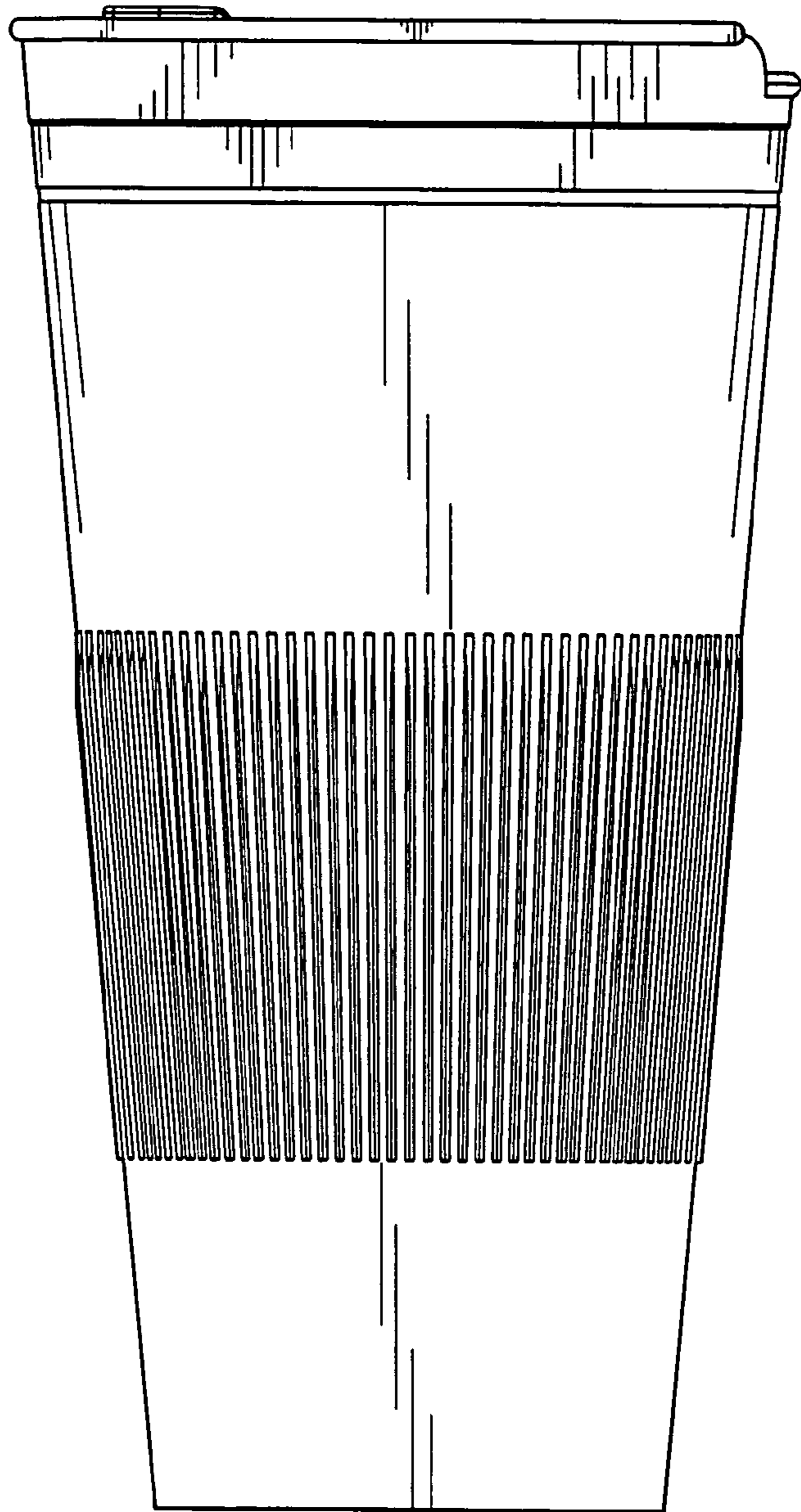


FIG. 6

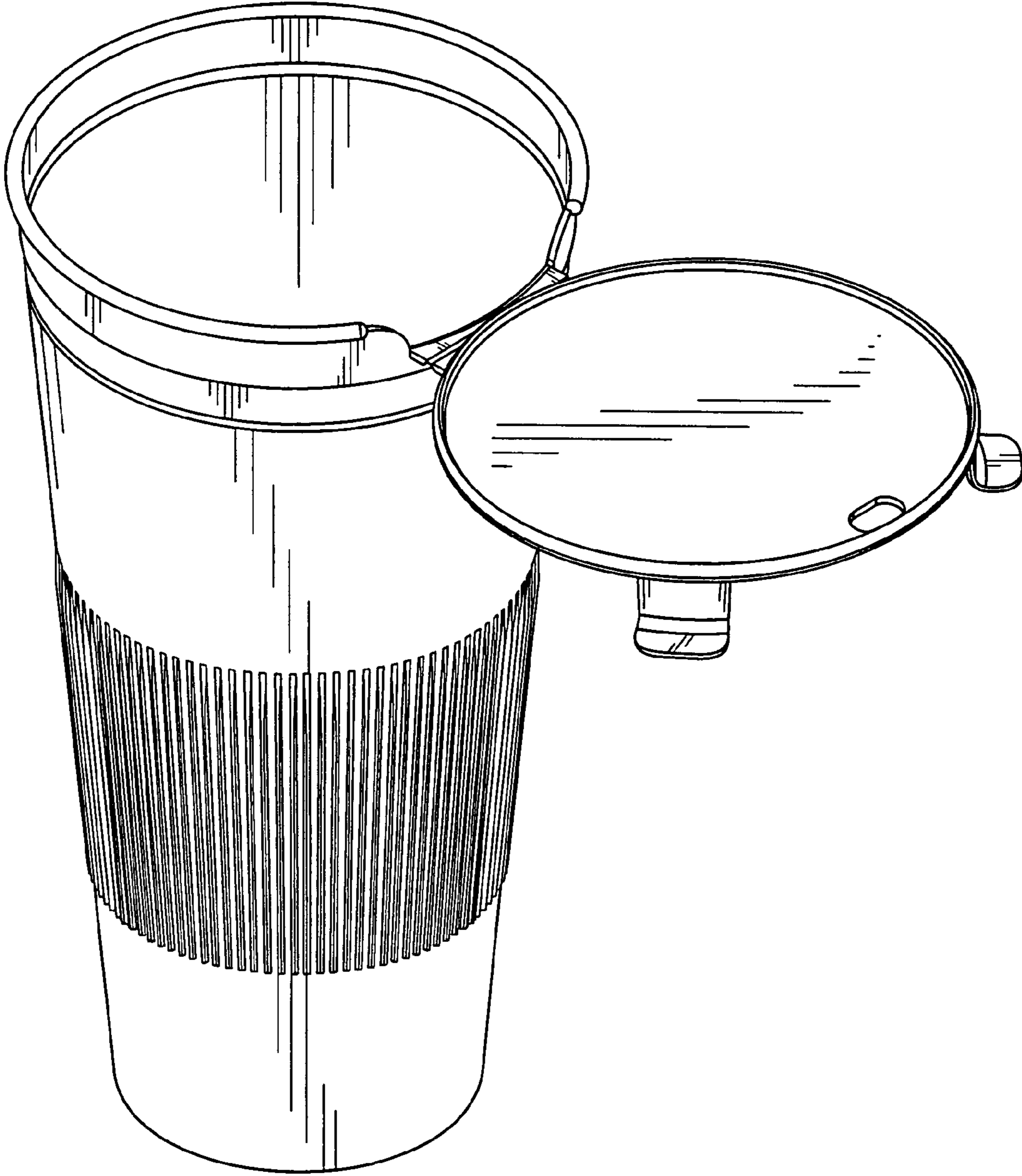


FIG. 7

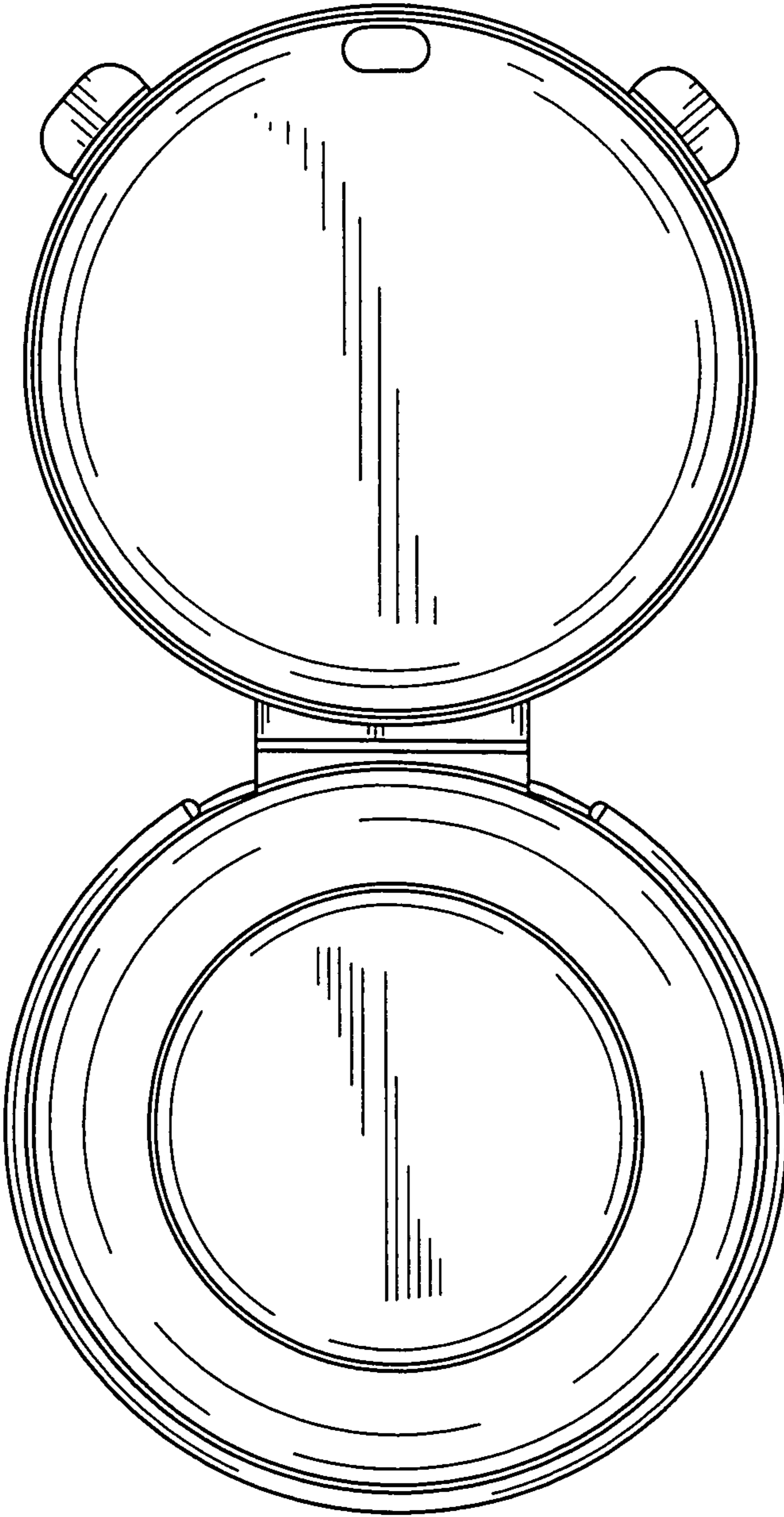


FIG. 8

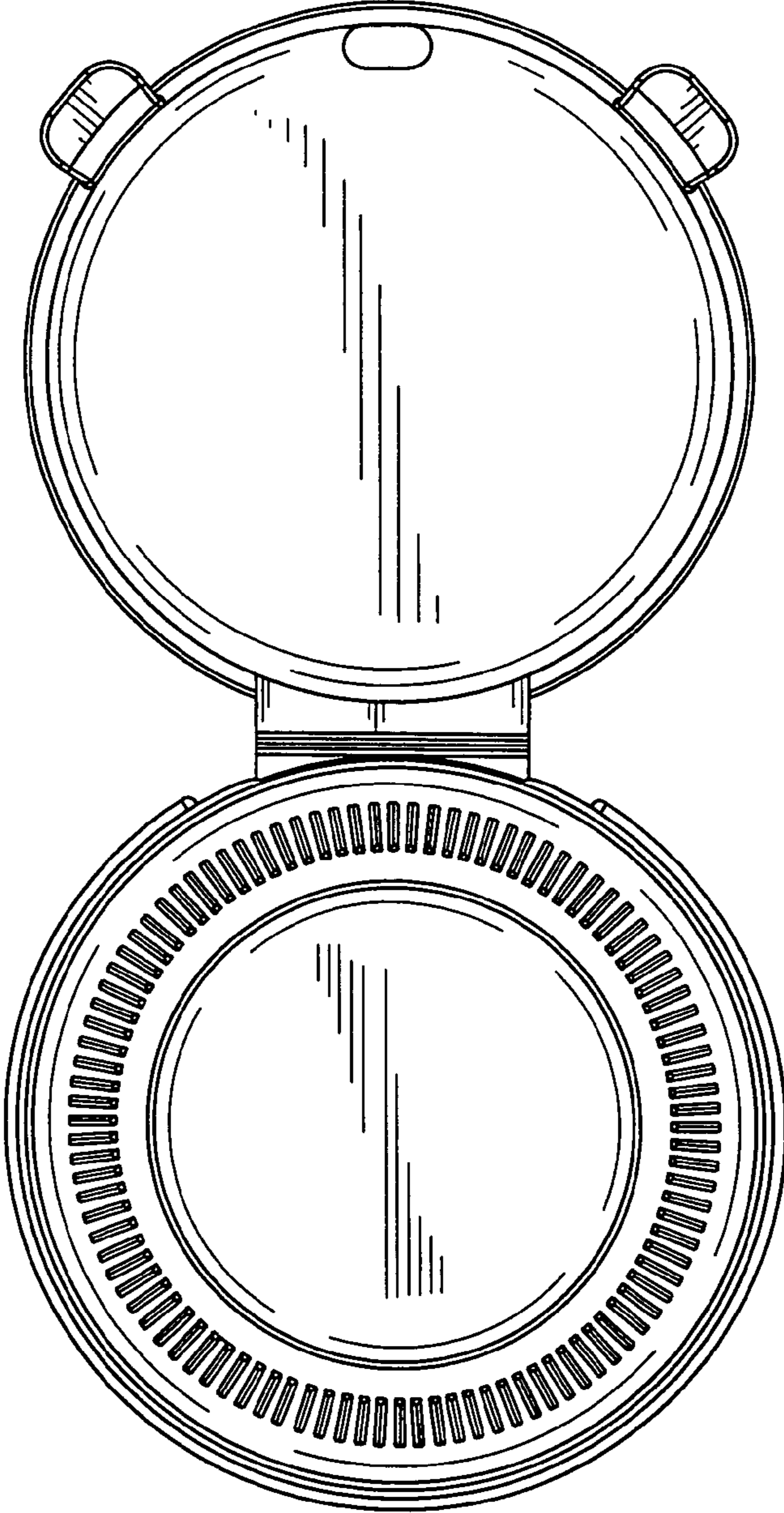


FIG. 9

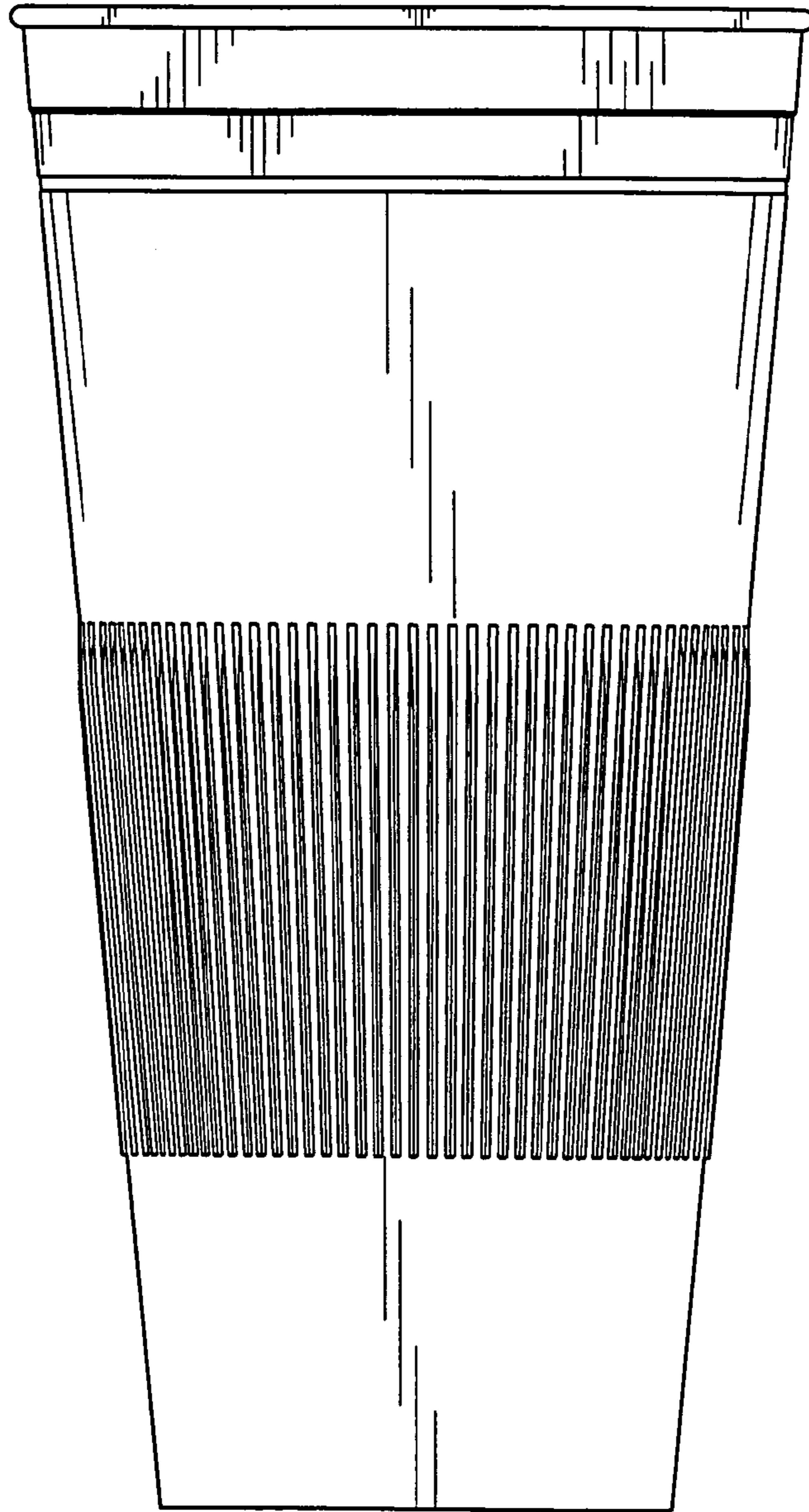


FIG. 10

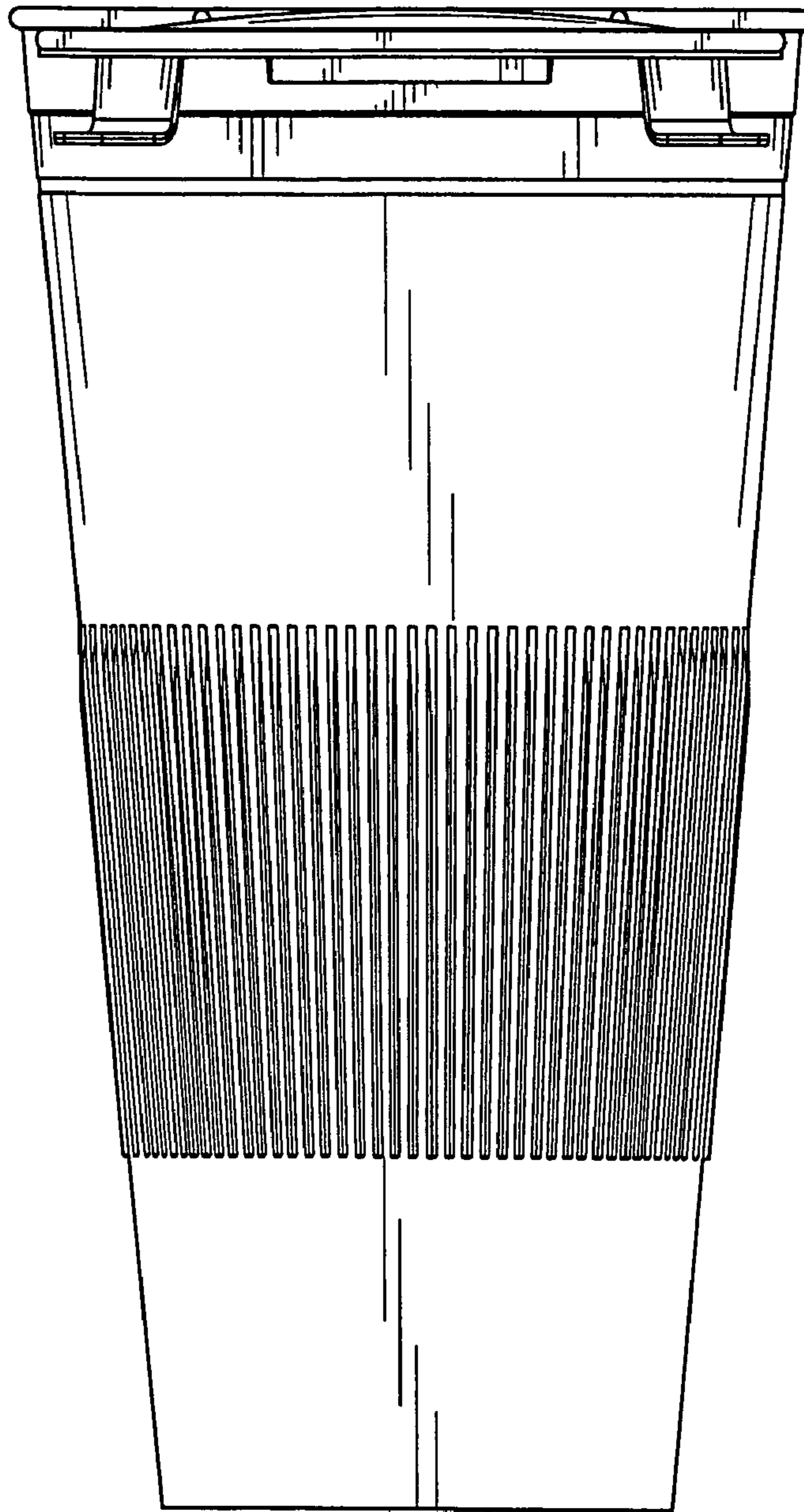


FIG. 11

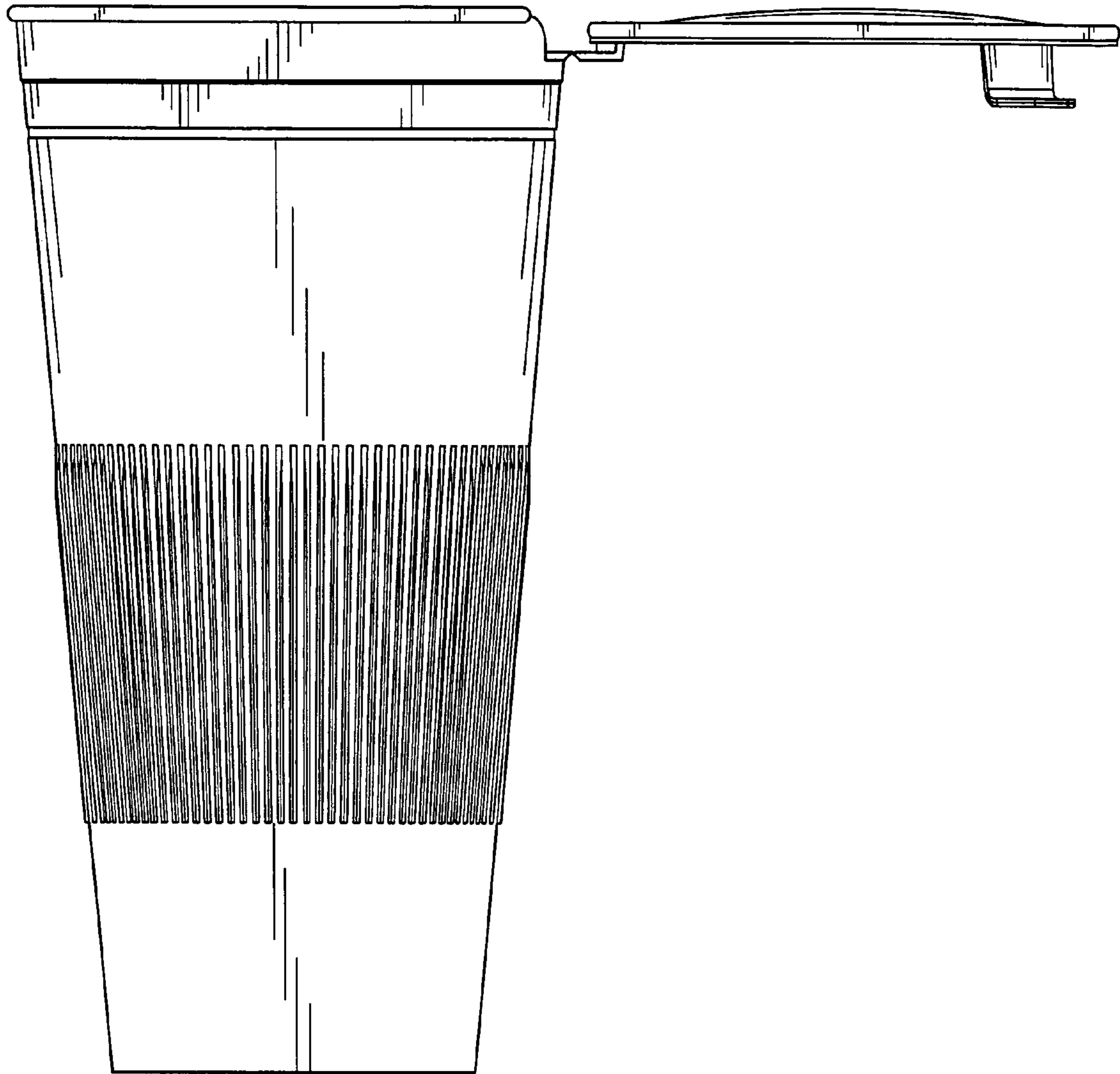


FIG. 12