



US00D642860S

(12) **United States Design Patent**  
**Tse**

(10) **Patent No.:** **US D642,860 S**

(45) **Date of Patent:** **\*\* Aug. 9, 2011**

(54) **FOOD PROCESSOR ASSEMBLY**

(75) Inventor: **Keith Chung Shun Tse**, Hong Kong  
(CN)

(73) Assignee: **Conair Corporation**, Stamford, CT  
(US)

(\*\*) Term: **14 Years**

(21) Appl. No.: **29/386,193**

(22) Filed: **Feb. 25, 2011**

(51) **LOC (9) Cl.** ..... **31-00**

(52) **U.S. Cl.** ..... **D7/384; D7/376; D7/378**

(58) **Field of Classification Search** ..... D7/305-311,  
D7/317-318, 368, 372, 376-386, 391, 412-415,  
D7/665; D15/82; 99/326, 348, 492, 508-511;  
241/30-37.5, 101.01-101.2, 166-169.1,  
241/285.1-285.3, 291, 292.1; 366/64-67,  
366/98, 142, 197-211, 241-254, 279-292,  
366/341-347; 416/75-76, 70 R, 163  
See application file for complete search history.

(56) **References Cited**

**U.S. PATENT DOCUMENTS**

D251,231 S *	3/1979	Hashimoto	.....	D7/384
D363,190 S *	10/1995	Brady	.....	D7/386
D369,512 S *	5/1996	Brady	.....	D7/386
D404,247 S *	1/1999	Spagnolo	.....	D7/378
D445,299 S *	7/2001	Spagnolo et al.	.....	D7/384

D451,336 S *	12/2001	Deros et al.	.....	D7/386
D451,756 S *	12/2001	Deros et al.	.....	D7/378
6,397,735 B1 *	6/2002	Wong	.....	99/492
D611,760 S *	3/2010	Ball	.....	D7/378
D625,141 S *	10/2010	Moore	.....	D7/378
D625,142 S *	10/2010	Moore	.....	D7/384
D625,143 S *	10/2010	Moore et al.	.....	D7/384
D625,144 S *	10/2010	Moore et al.	.....	D7/384

\* cited by examiner

*Primary Examiner* — Ricky Pham

(74) *Attorney, Agent, or Firm* — Lawrence Cruz

(57) **CLAIM**

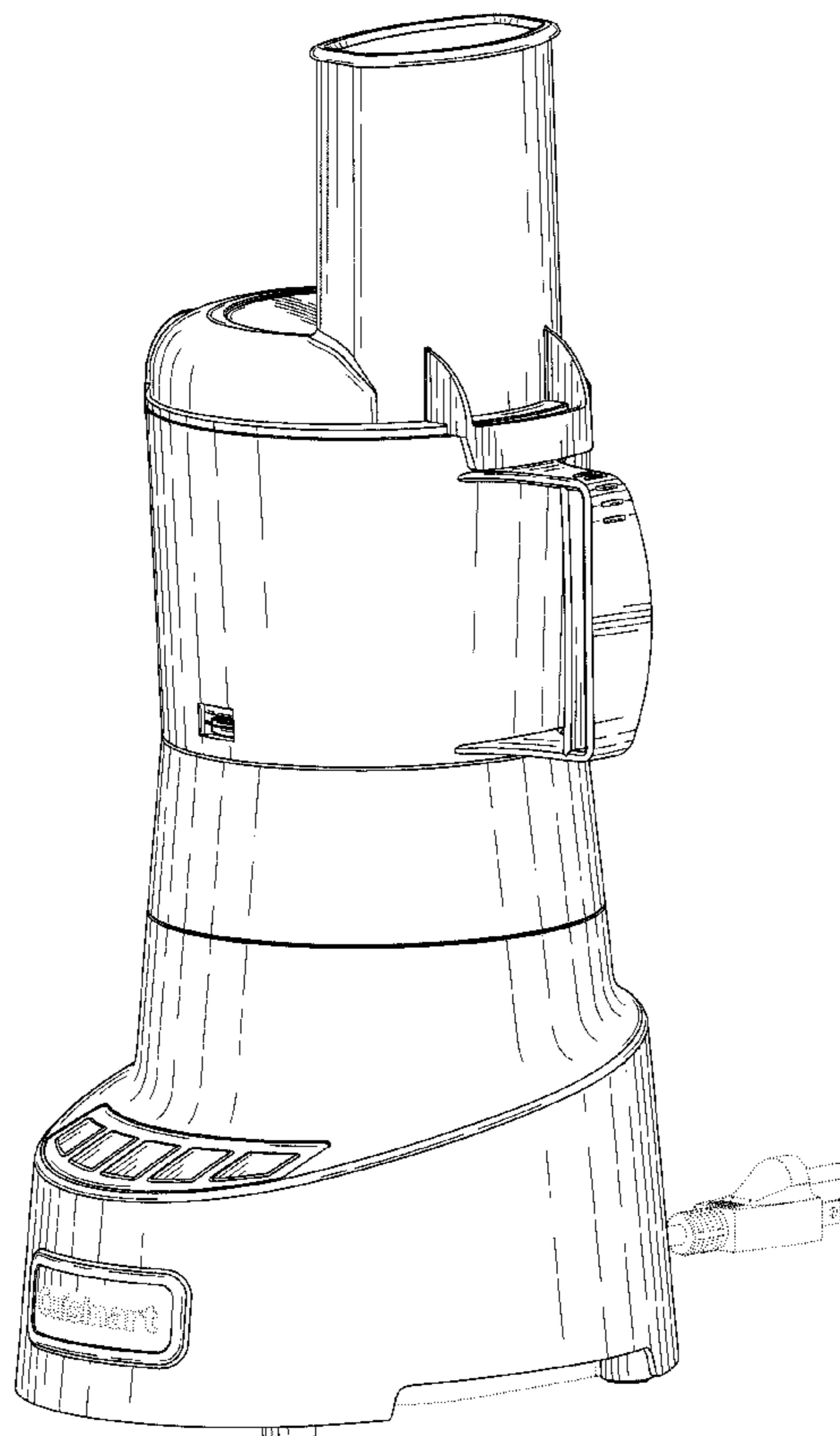
The ornamental design for a food processor assembly, as shown and described.

**DESCRIPTION**

FIG. 1 is a perspective view of a food processor assembly showing a new design;  
FIG. 2 is a front elevational view thereof;  
FIG. 3 is a rear elevational view thereof;  
FIG. 4 is a left side elevational view thereof;  
FIG. 5 is a right side elevation view thereof;  
FIG. 6 is a top plan view thereof; and,  
FIG. 7 is a bottom plan view thereof.

The broken lines are for illustrative purposes only and form no part of the claimed design.

**1 Claim, 6 Drawing Sheets**



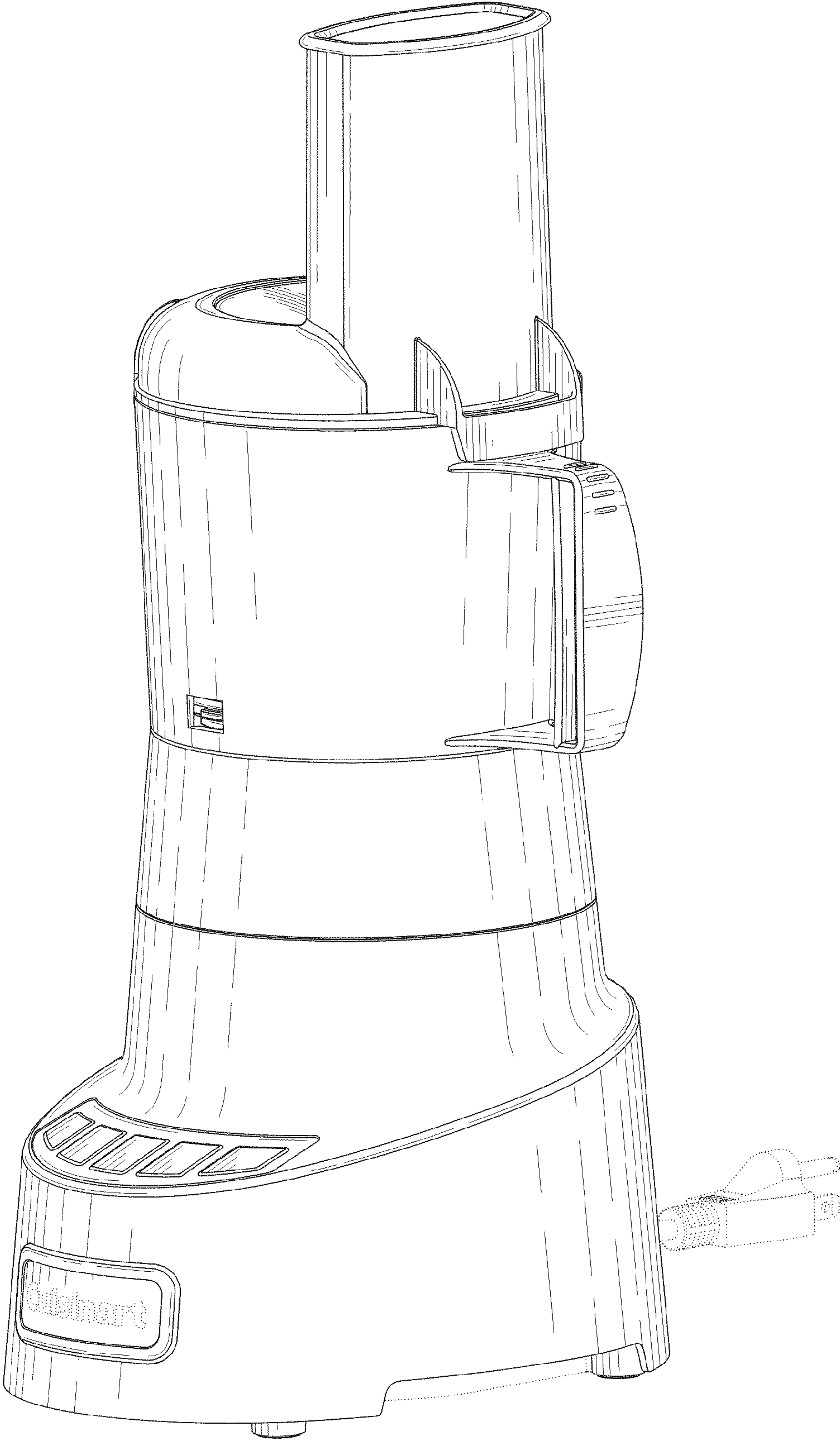


FIG. 1

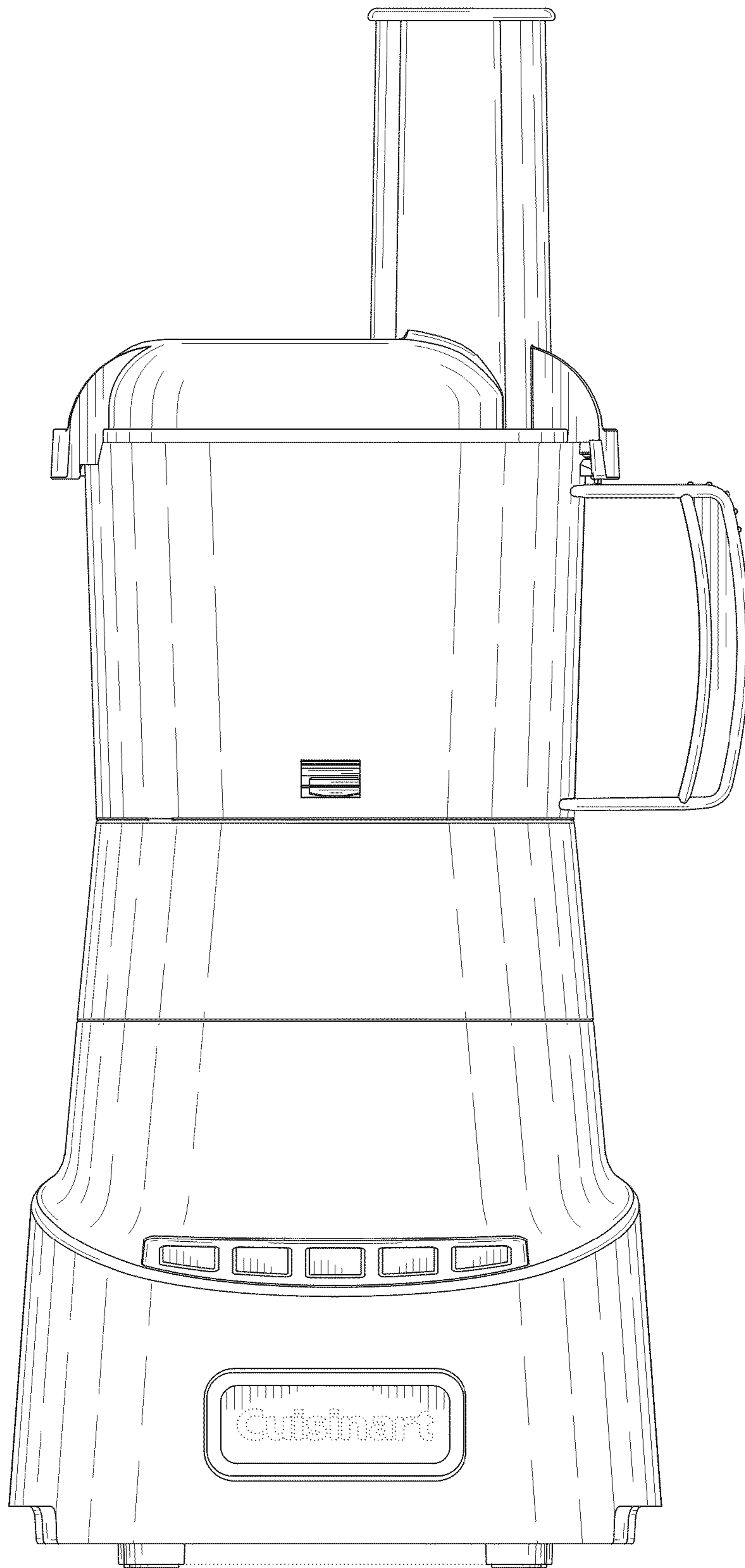
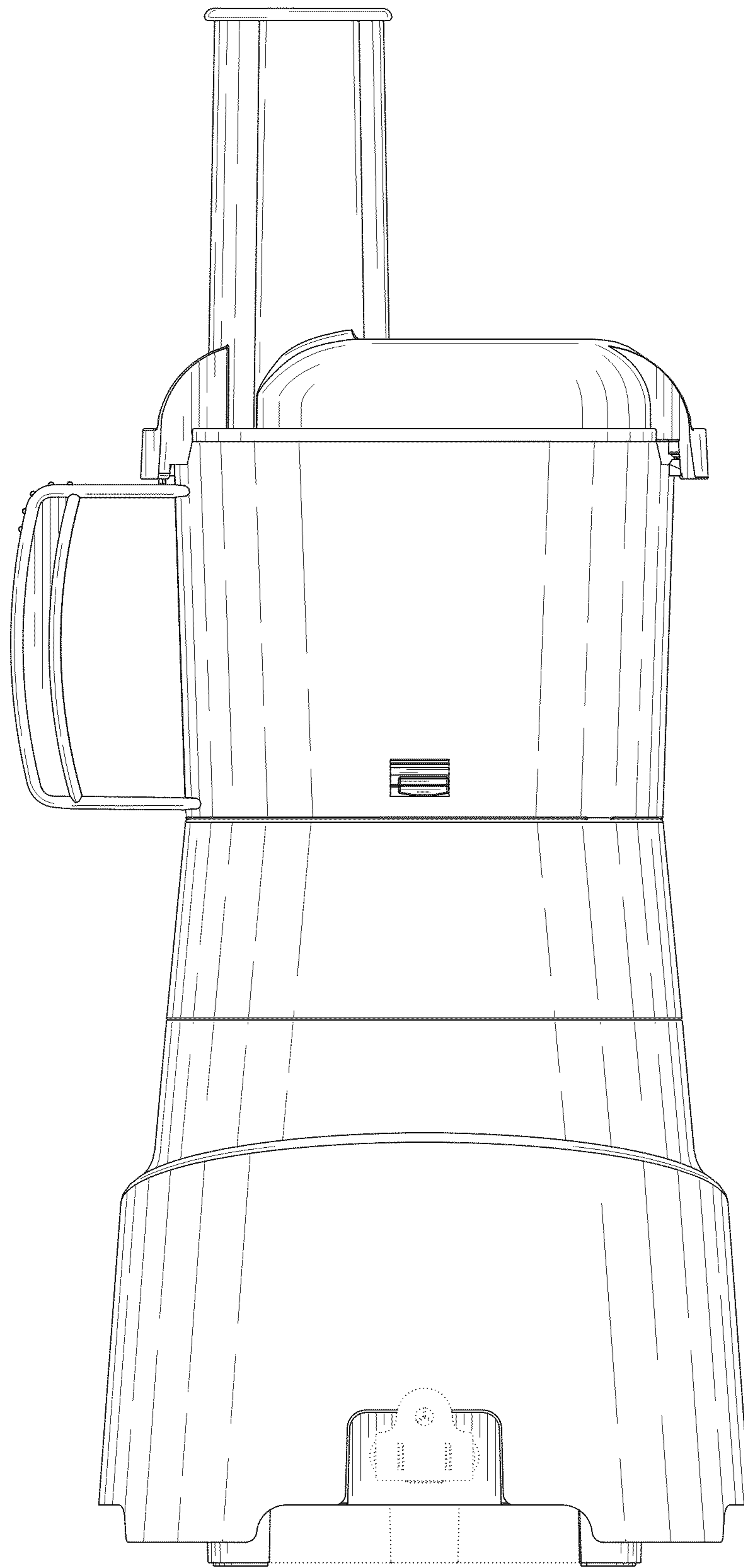


FIG. 2



**FIG. 3**



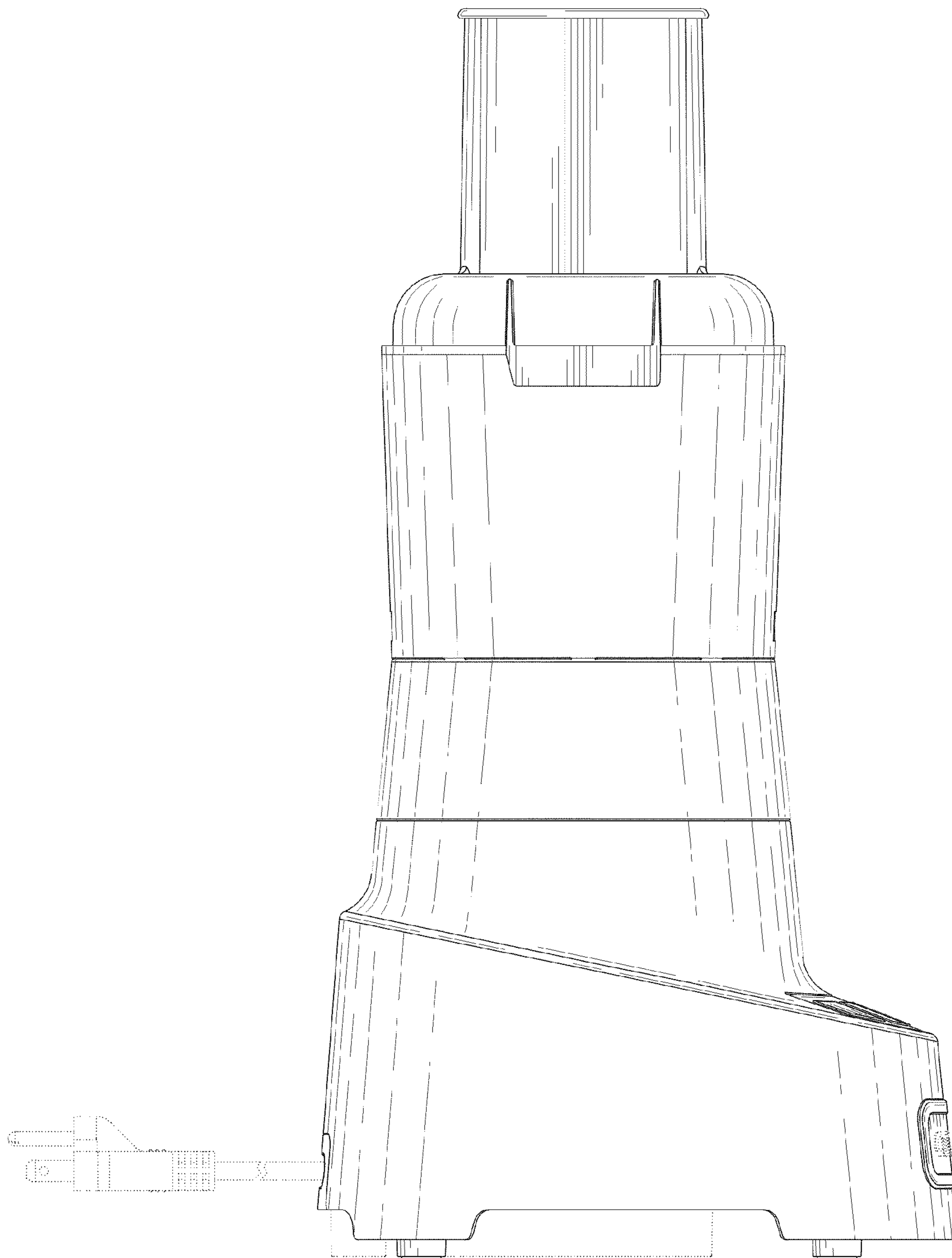


FIG. 4

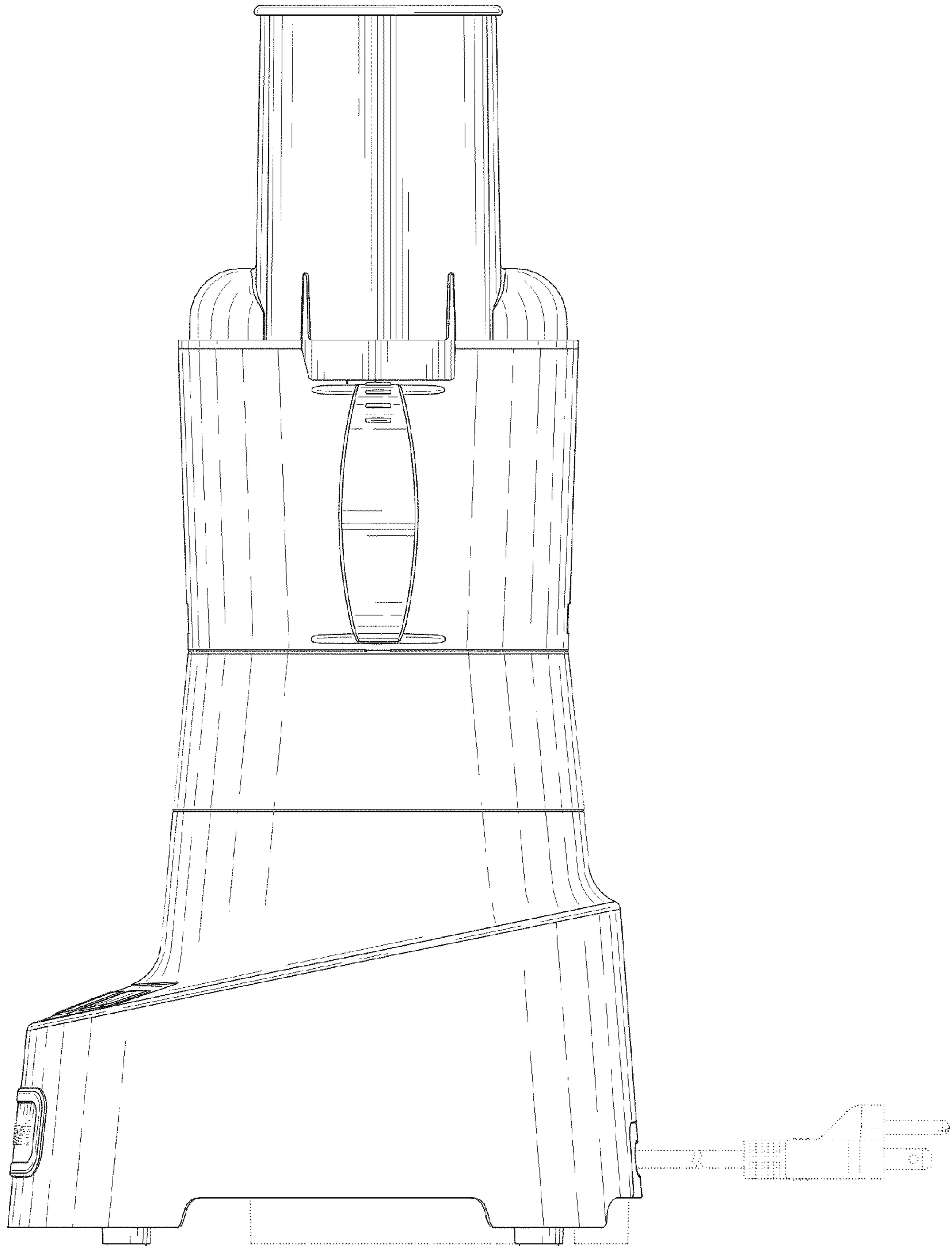


FIG. 5

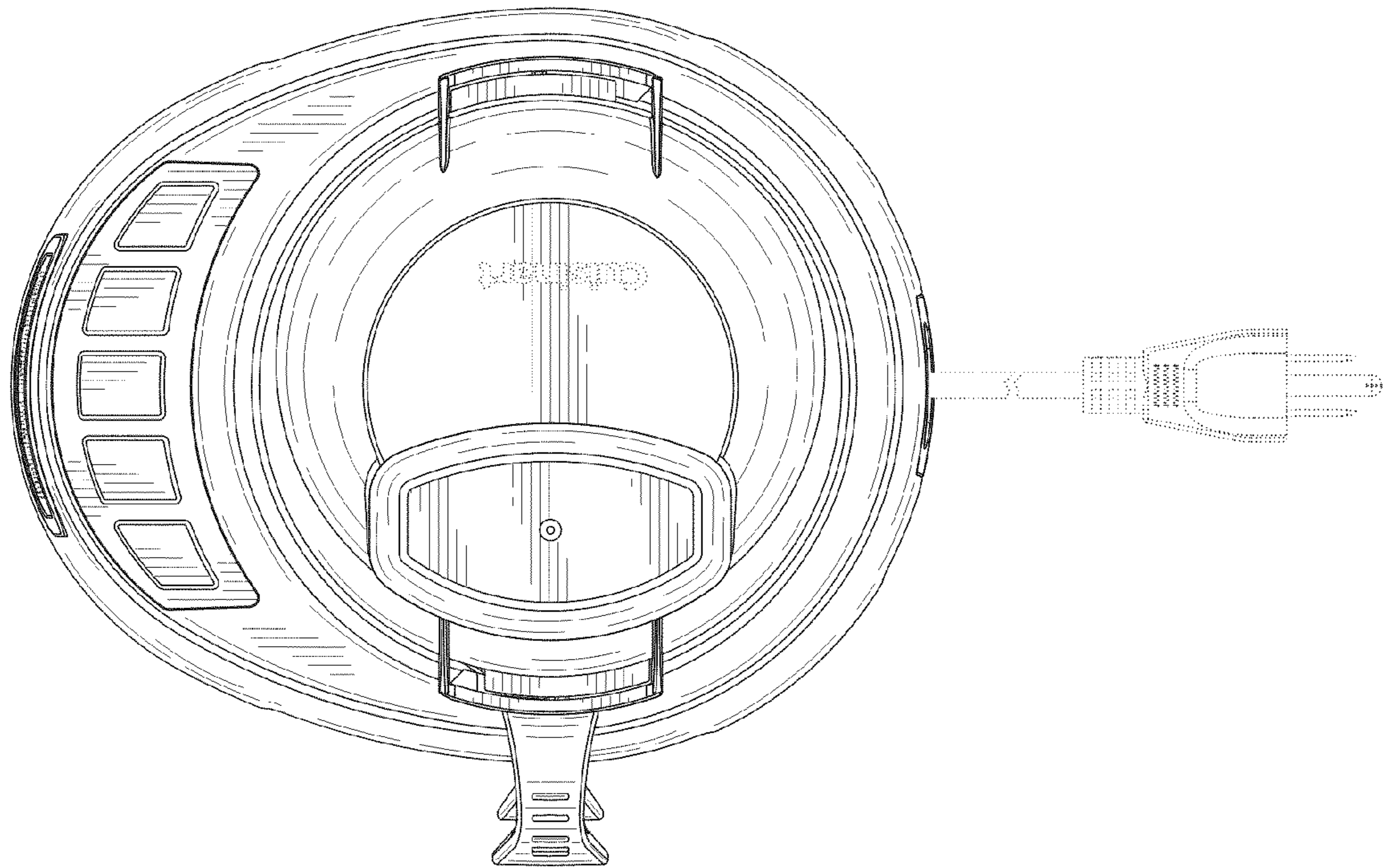


FIG. 6

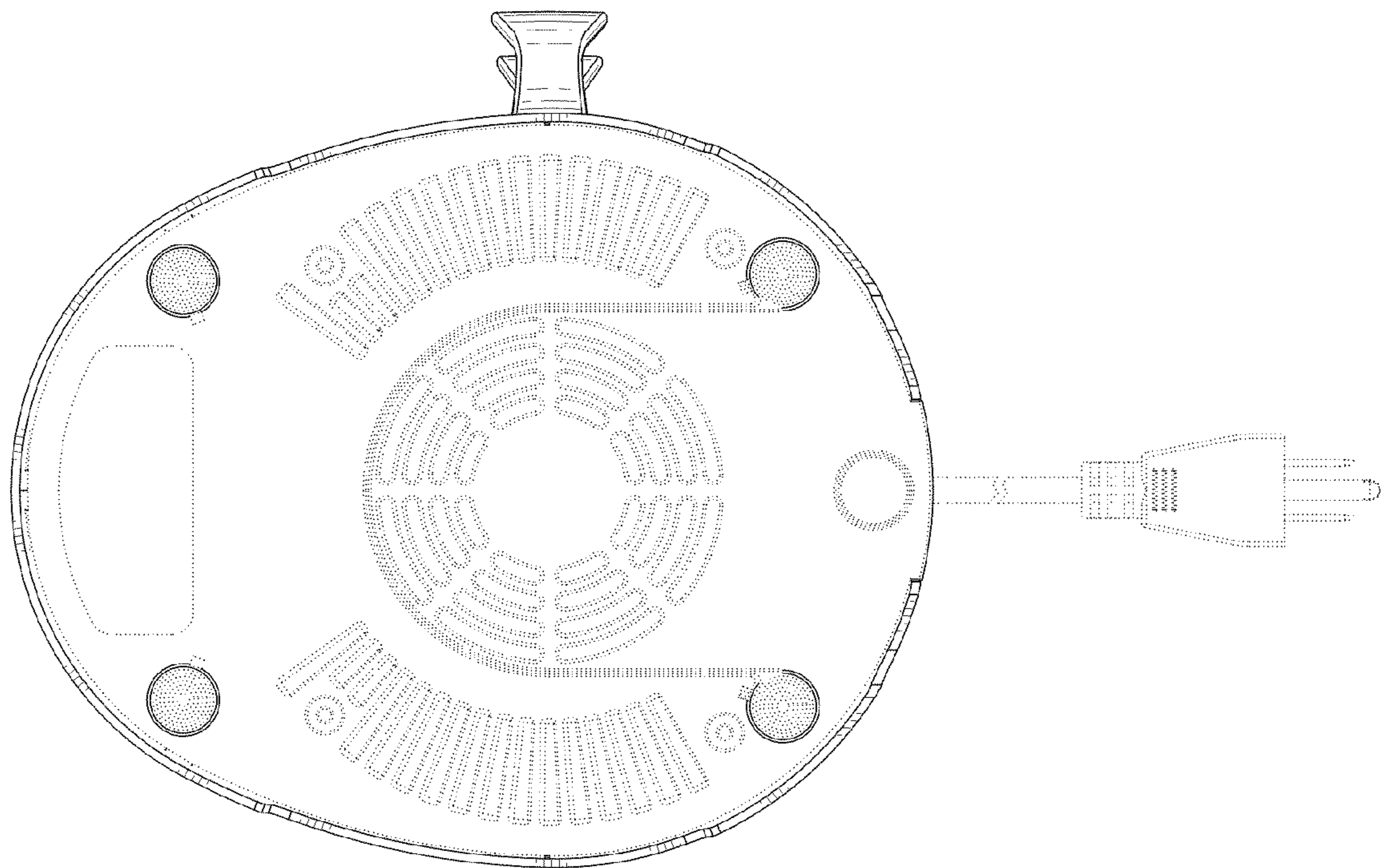


FIG. 7