



US00D642859S

(12) **United States Design Patent**
Cozzolino et al.

(10) **Patent No.:** **US D642,859 S**

(45) **Date of Patent:** **** Aug. 9, 2011**

(54) **FOOD APPLIANCE**

(75) Inventors: **Steven C. Cozzolino**, New York, NY
(US); **James Andrew Sandor**, Trumbull,
CT (US)

(73) Assignee: **Conair Corporation**, Stamford, CT
(US)

(**) Term: **14 Years**

(21) Appl. No.: **29/386,209**

(22) Filed: **Feb. 25, 2011**

(51) **LOC (9) Cl.** **31-00**

(52) **U.S. Cl.** **D7/381; D7/372; D7/376; D7/378**

(58) **Field of Classification Search** D7/305-311,
D7/317-318, 368, 372-386, 391, 412-415,
D7/665, 679, 693; D15/82; 99/326, 348,
99/508-511; 241/30-37.5, 101.01-101.2,
241/166-169.1, 285.1-285.3, 291, 292.1;
366/64-67, 98, 142, 197-211, 241-254,
366/279-292, 341-347; 416/75-76, 70 R,
416/163

See application file for complete search history.

(56) **References Cited**

U.S. PATENT DOCUMENTS

D199,888 S * 12/1964 Dewenter D7/378
D212,260 S * 9/1968 Cabell D7/373
D349,423 S * 8/1994 Burgel D7/378

D395,573 S * 6/1998 Leverrier D7/381
D455,324 S * 4/2002 Wright D7/679
D479,666 S * 9/2003 Barker D7/378
D502,062 S * 2/2005 Kaposi D7/693
D517,859 S * 3/2006 Fung D7/372
D581,750 S * 12/2008 de Groote D7/679
D613,547 S * 4/2010 Day et al. D7/378
D616,262 S * 5/2010 Lundstrom D7/679
D617,603 S * 6/2010 Garman et al. D7/373
2002/0117566 A1 * 8/2002 Cheng 241/169.1

* cited by examiner

Primary Examiner — Ricky Pham

(74) *Attorney, Agent, or Firm* — Lawrence Cruz

(57) **CLAIM**

The ornamental design for a food appliance, as shown and described.

DESCRIPTION

FIG. 1 is a perspective view of a food appliance showing a new design;

FIG. 2 is a front elevational view thereof;

FIG. 3 is a rear elevational view thereof;

FIG. 4 is a right side elevational view thereof;

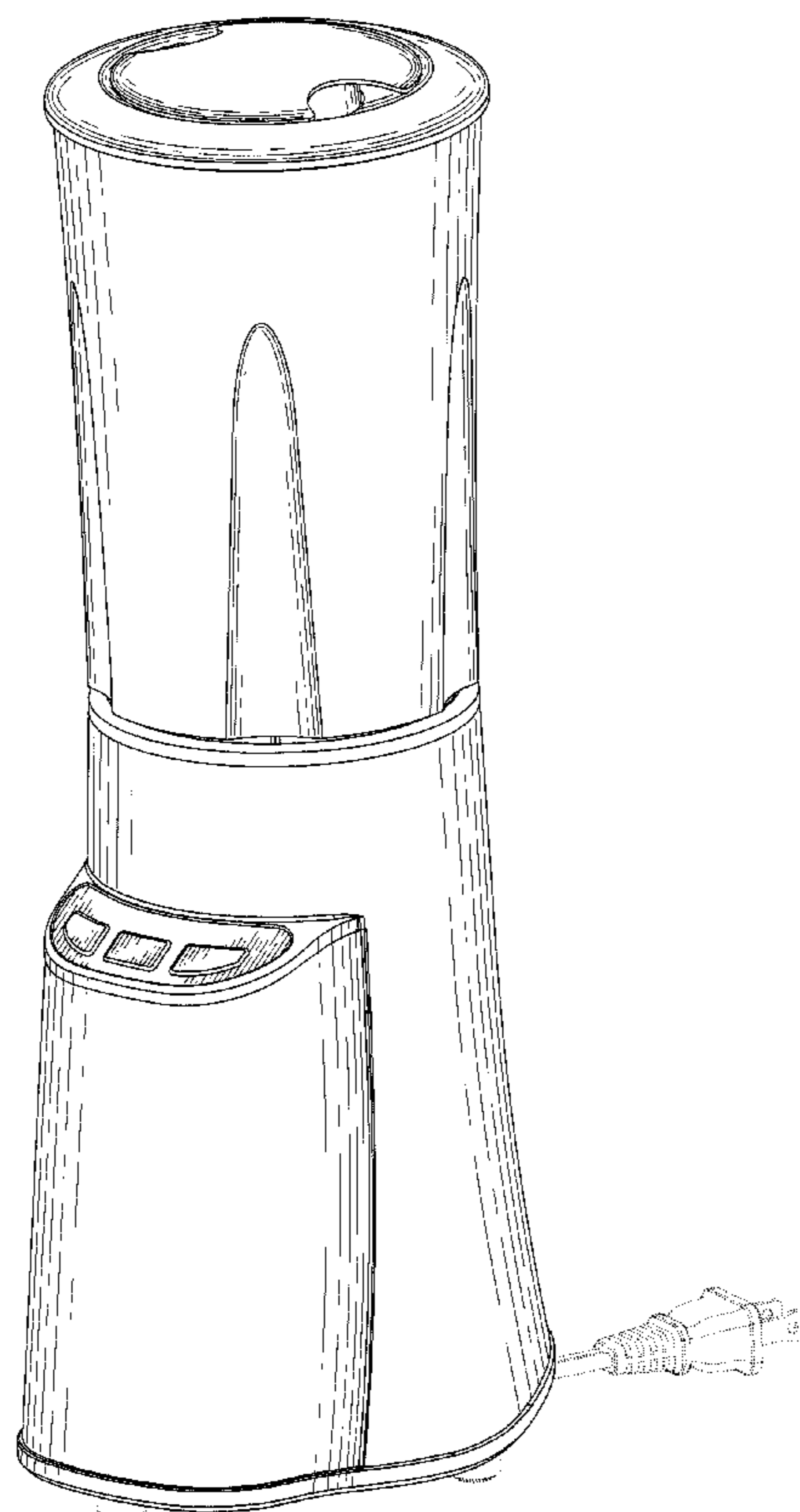
FIG. 5 is a left side elevation view thereof;

FIG. 6 is a top plan view thereof; and,

FIG. 7 is a bottom plan view thereof.

The broken lines are for illustrative purposes only and form no part of the claimed design.

1 Claim, 6 Drawing Sheets



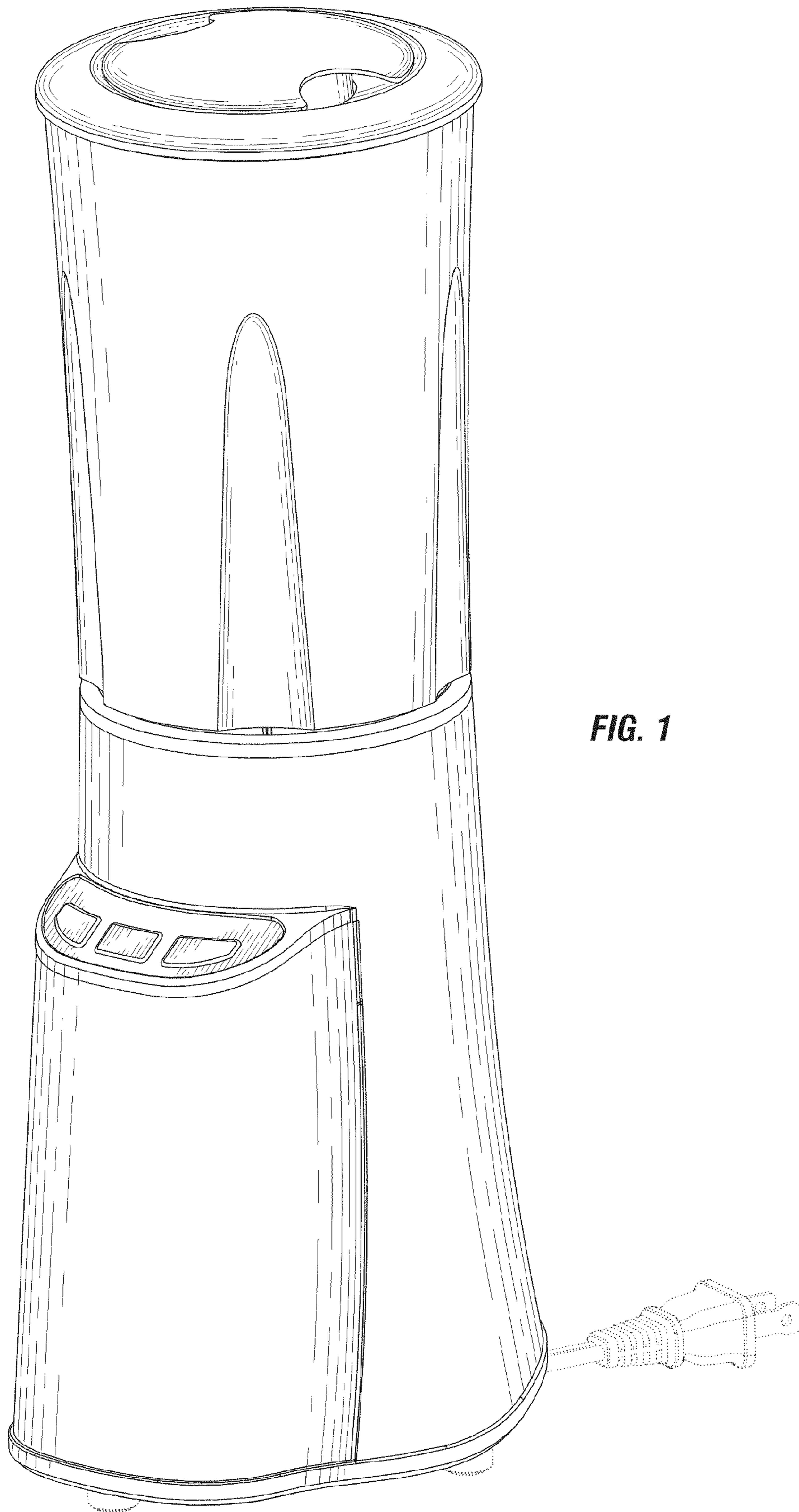


FIG. 1

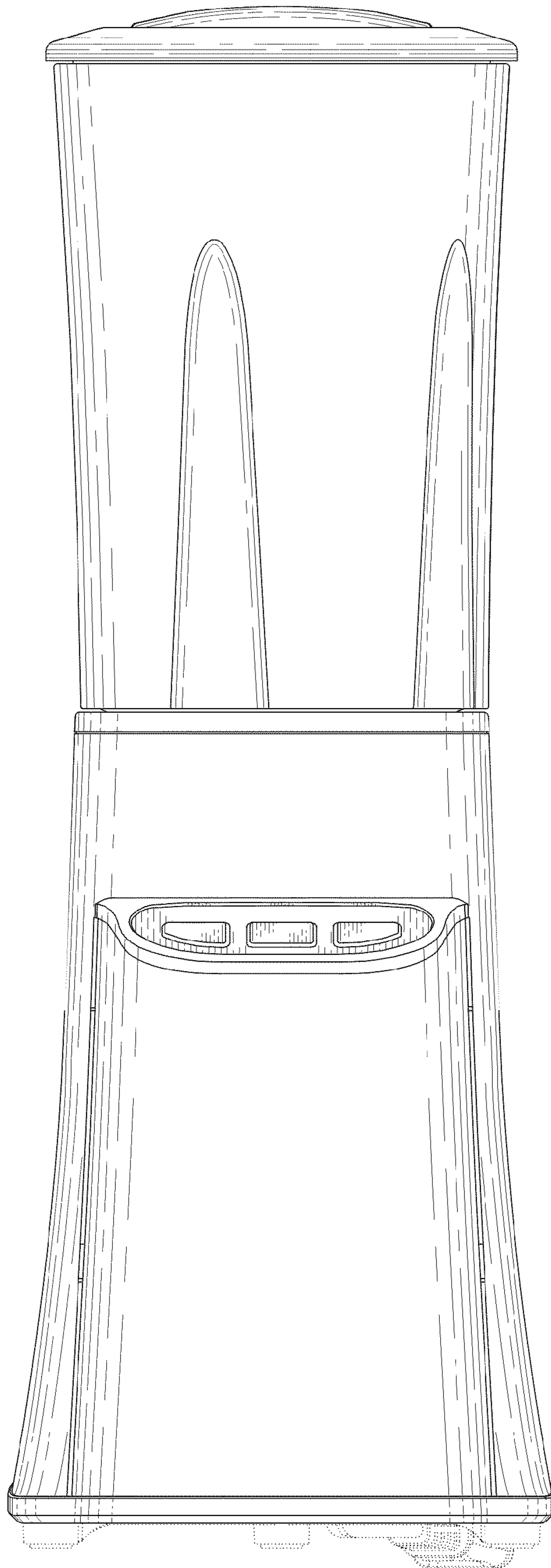


FIG. 2

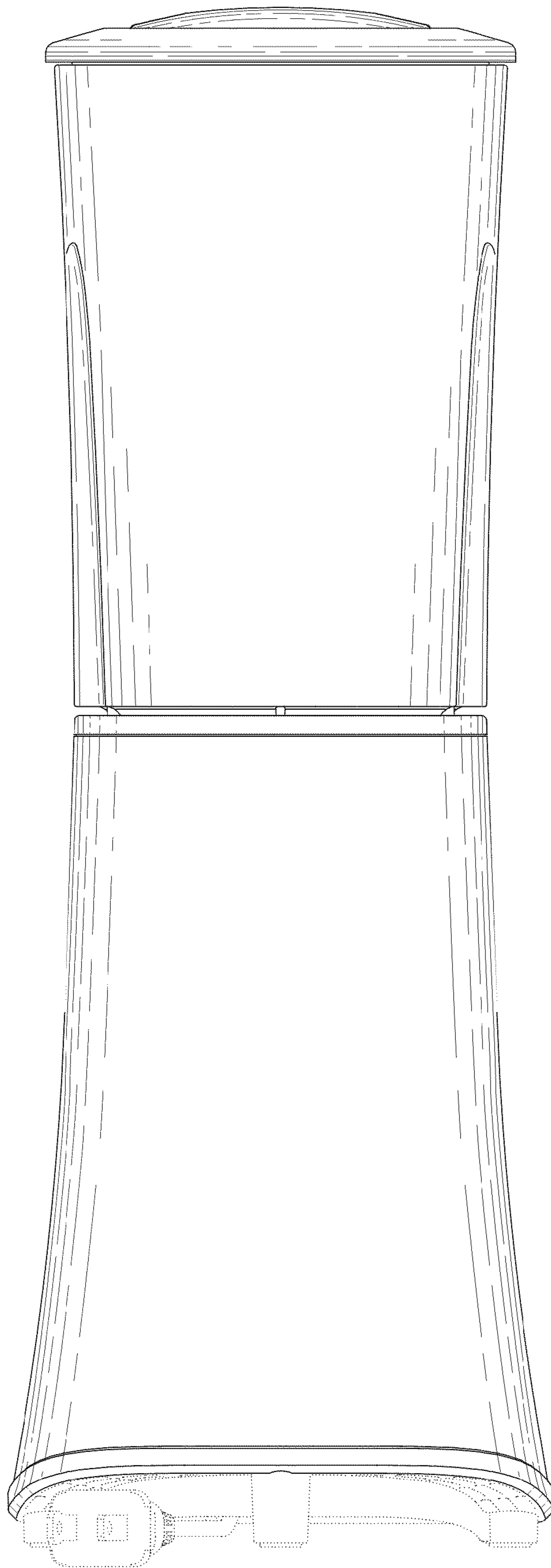


FIG. 3

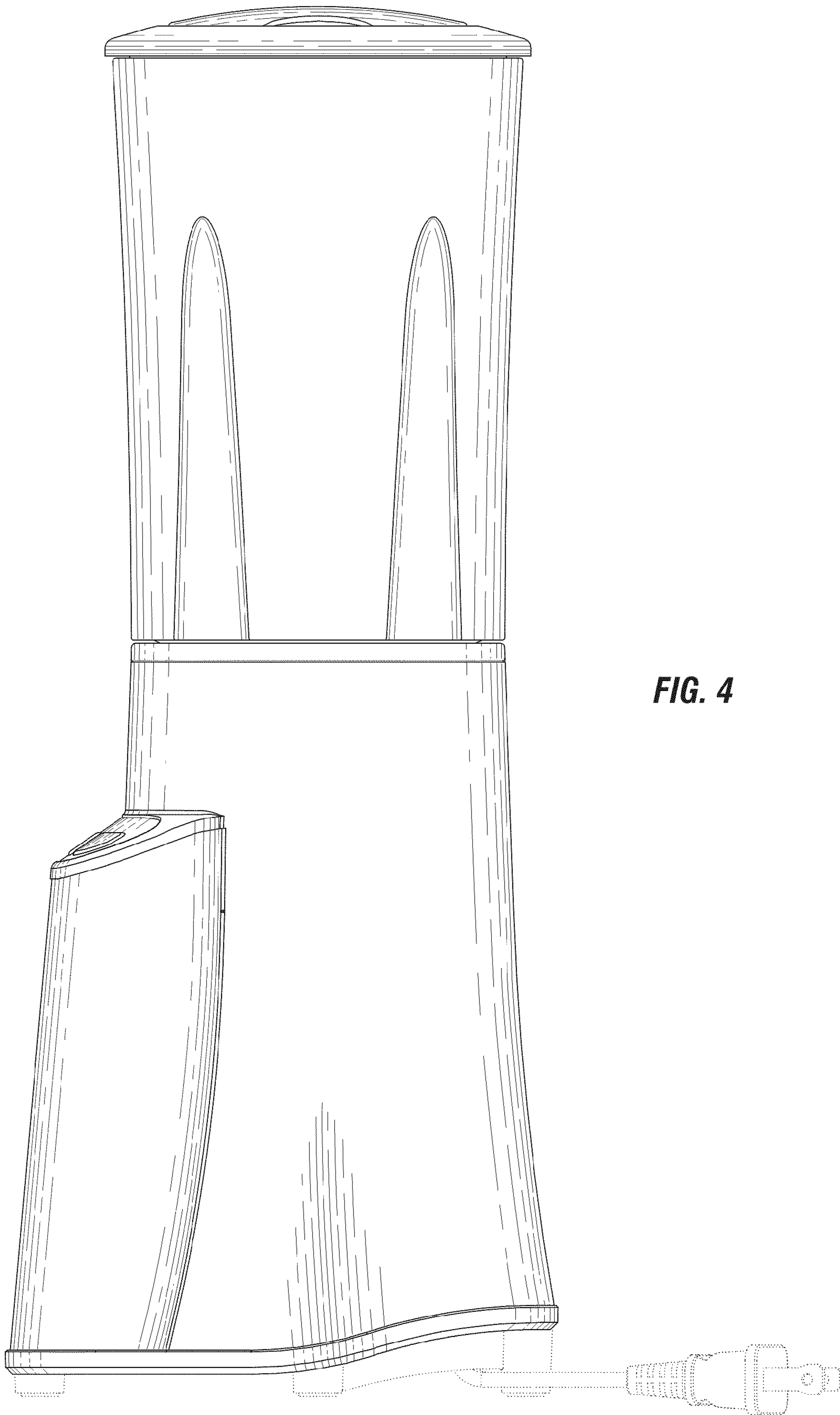


FIG. 4

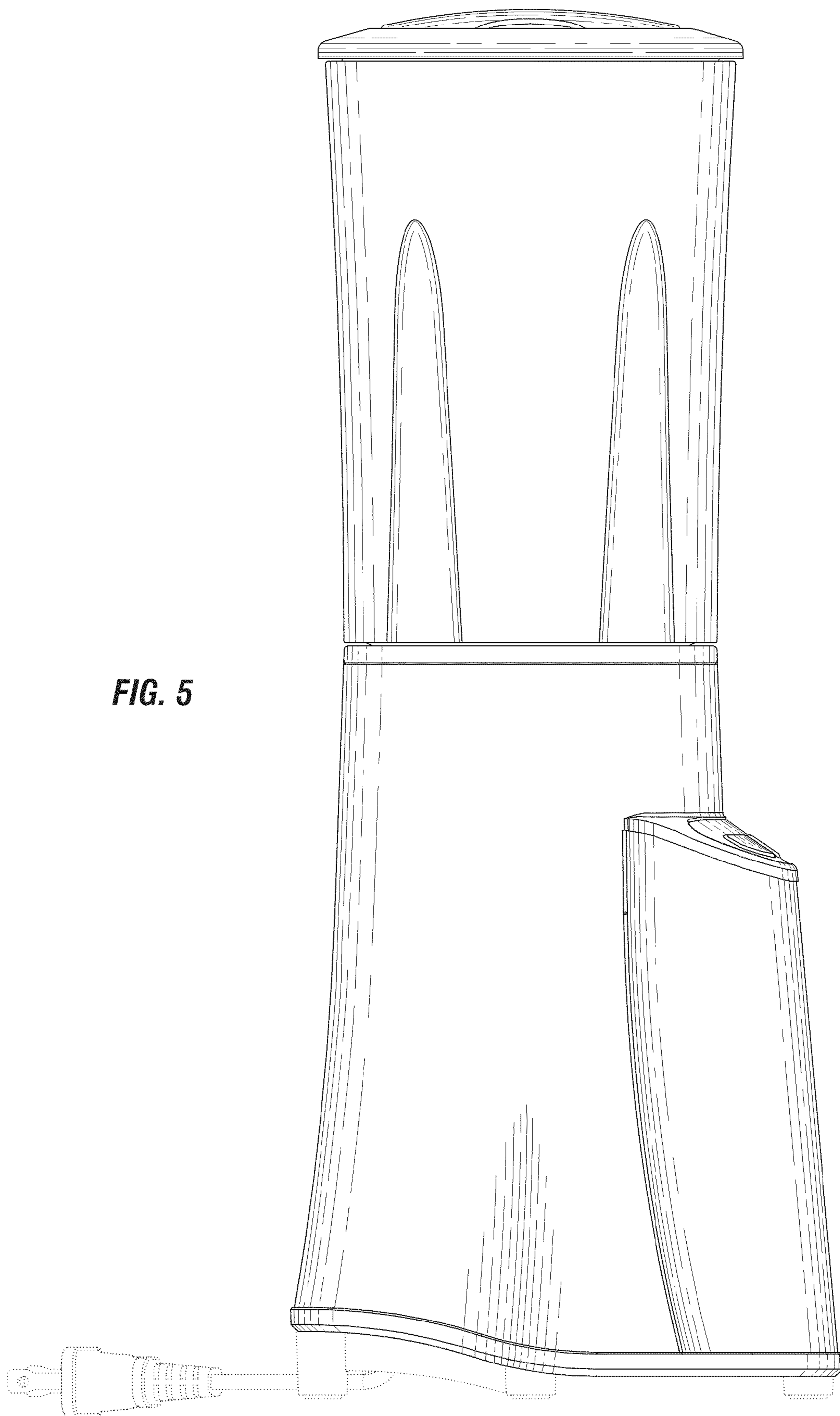


FIG. 5

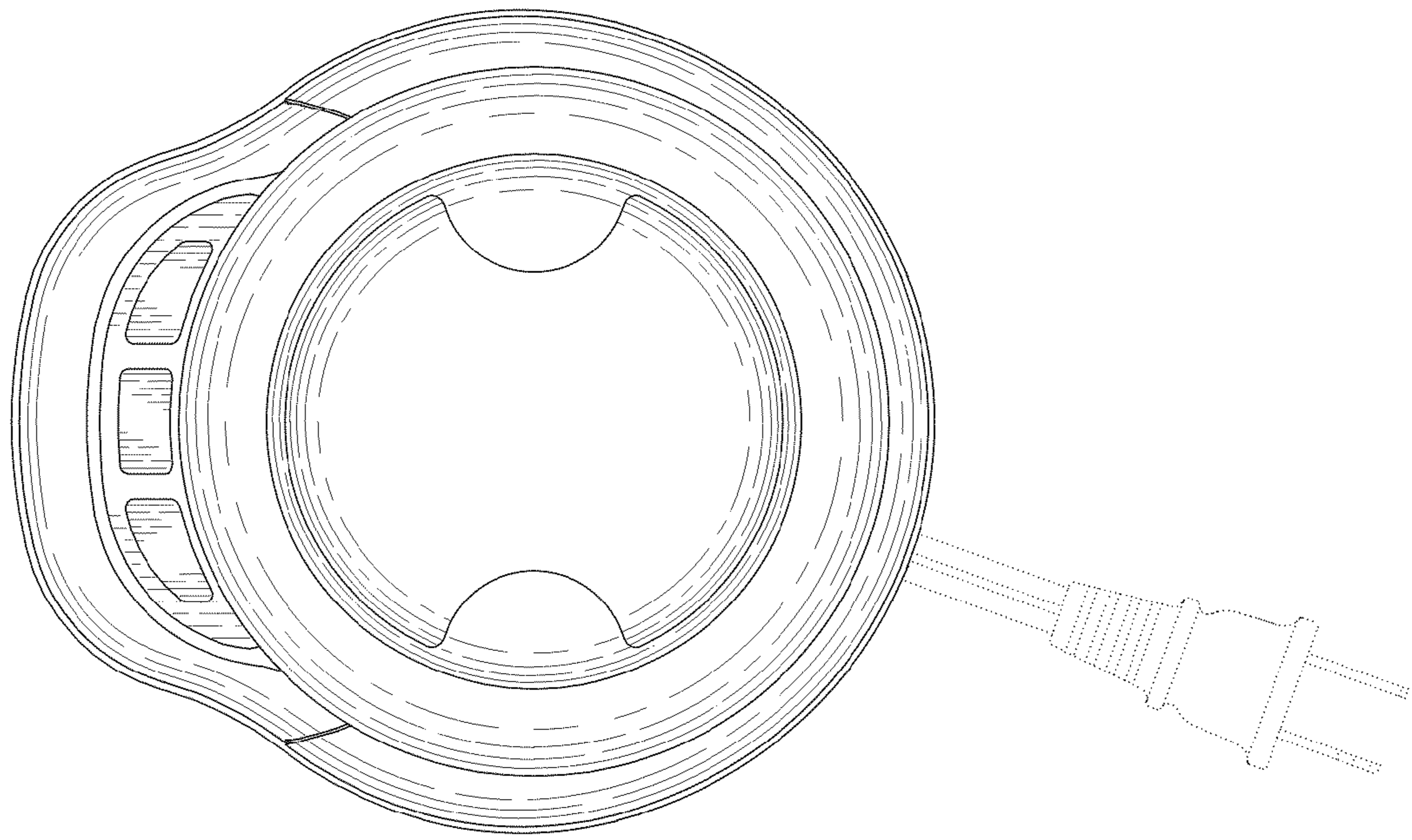


FIG. 6

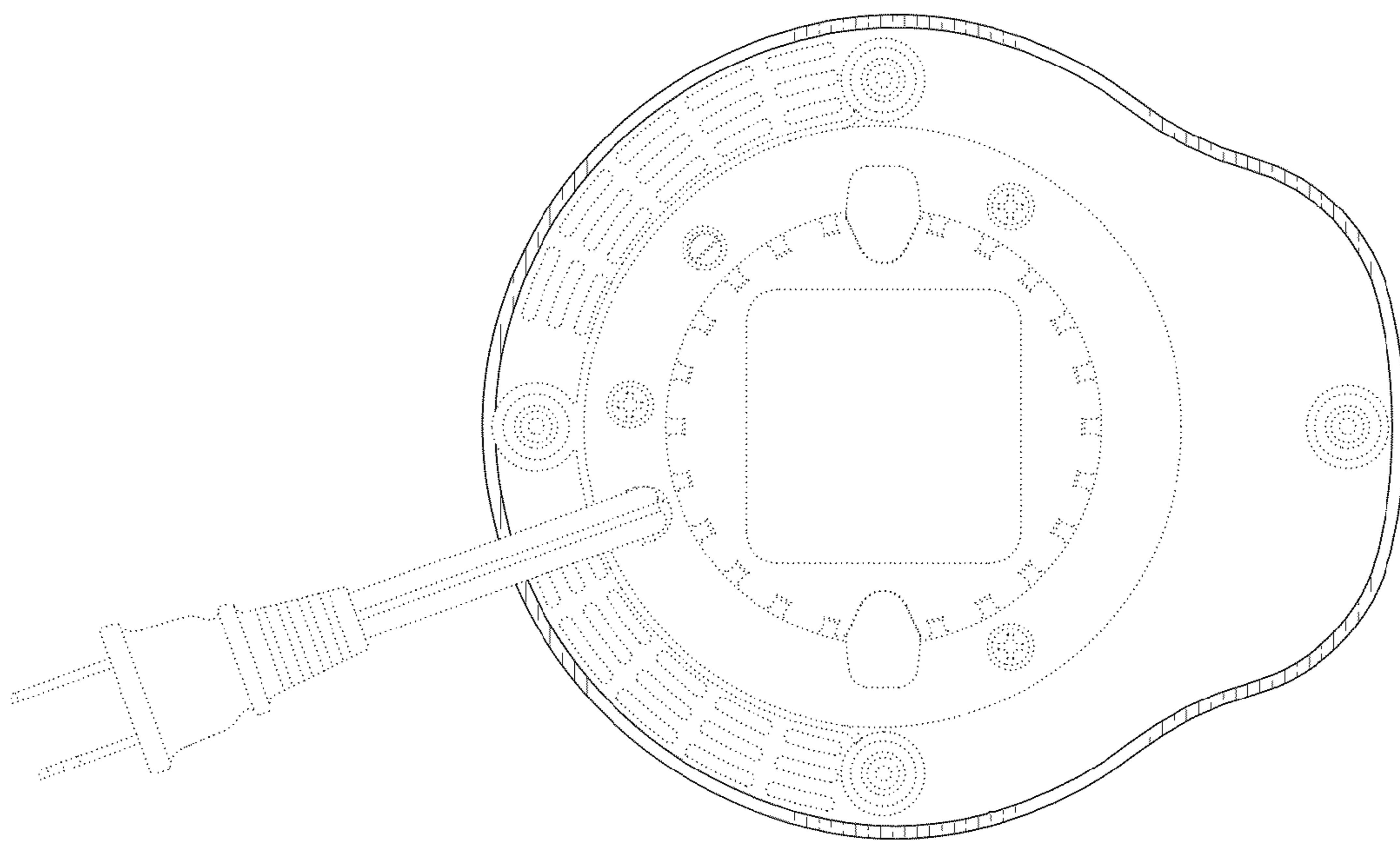


FIG. 7