



US00D642858S

(12) **United States Design Patent**
Lazzer

(10) **Patent No.:** **US D642,858 S**

(45) **Date of Patent:** **** Aug. 9, 2011**

(54) **BLENDER**

(75) Inventor: **Jean-Pierre Lazzer**, Montchanin (FR)

(73) Assignee: **Magimix**, Vincennes (FR)

(**) Term: **14 Years**

(21) Appl. No.: **29/383,664**

(22) Filed: **Jan. 20, 2011**

(30) **Foreign Application Priority Data**

Jul. 22, 2010 (EM) 001734443

(51) **LOC (9) Cl.** **31-00**

(52) **U.S. Cl.** **D7/378; D7/376; D7/384**

(58) **Field of Classification Search** D7/305-311,
D7/317-318, 368, 372, 376-386, 412-415,
D7/665; 99/326, 348, 508-511; 241/30-37.5,
241/101.01-101.2, 166-169.1, 282.2, 285.1-285.3,
241/291, 292.1; 366/64-67, 98, 142, 197-211,
366/241-254, 279-292, 341-347; 416/75-76,
416/70 R, 163

See application file for complete search history.

(56) **References Cited**

U.S. PATENT DOCUMENTS

D176,257 S *	12/1955	Hill et al.	D7/386
2,794,627 A *	6/1957	Rodwick	241/282.2
D181,541 S *	11/1957	Madl et al.	D7/378
D553,425 S *	10/2007	Steiner et al.	D7/378
D578,340 S *	10/2008	Picozza et al.	D7/378
D616,244 S *	5/2010	Thai et al.	D7/378

* cited by examiner

Primary Examiner — Ricky Pham

(74) *Attorney, Agent, or Firm* — RatnerPrestia

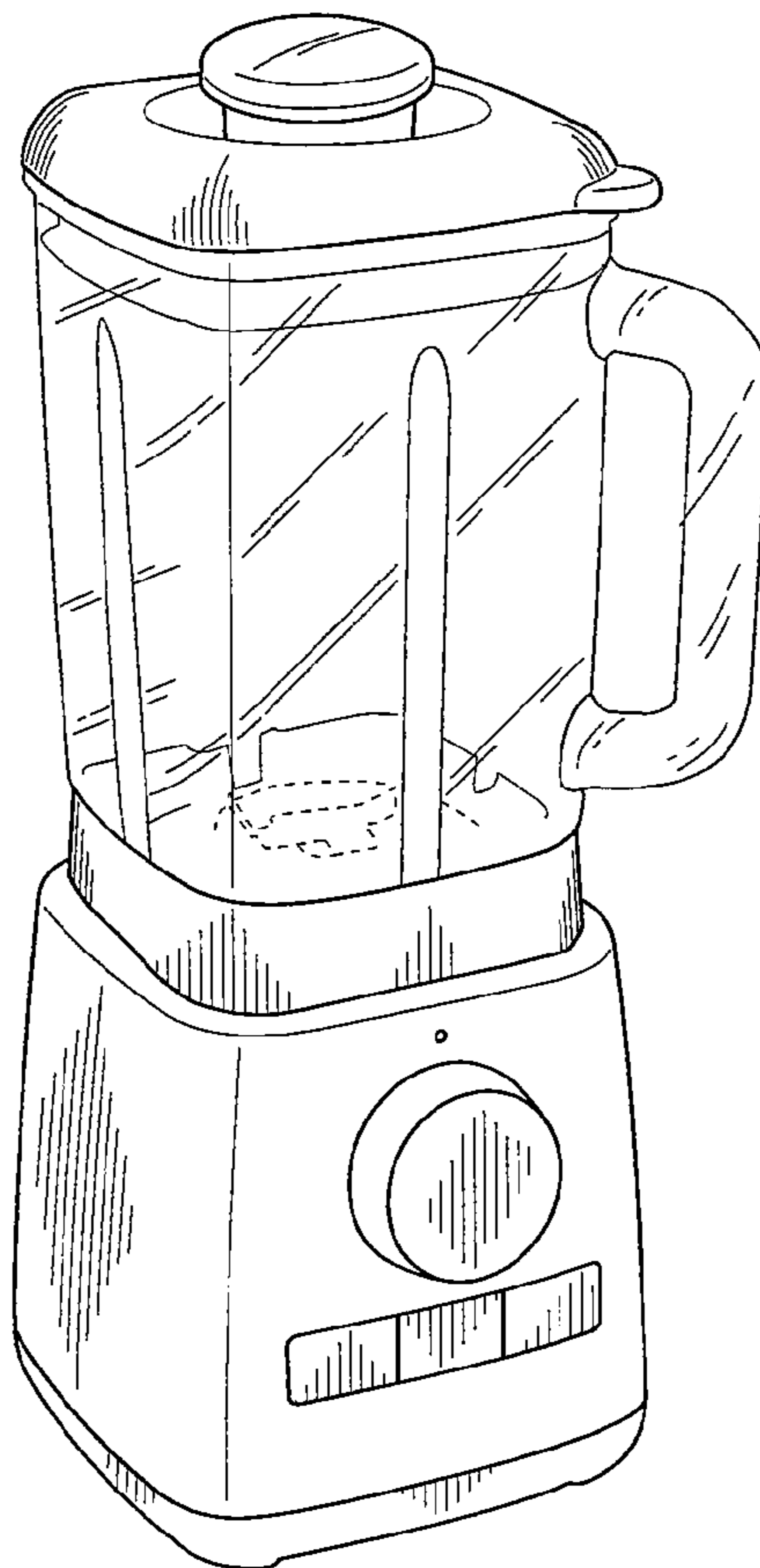
(57) **CLAIM**

The ornamental design for a blender, as shown and described.

DESCRIPTION

FIG. 1 is a front elevation view of the blender;
FIG. 2 is a rear elevation view of the blender;
FIG. 3 is an elevation view from the right side of the blender;
FIG. 4 is an elevation view from the left side of the blender;
FIG. 5 is a bottom plan view of the blender;
FIG. 6 is a top plan view of the blender; and,
FIG. 7 is a perspective view of the blender.
The broken lines are for illustration purposes only and form
no part of the claimed design.

1 Claim, 2 Drawing Sheets



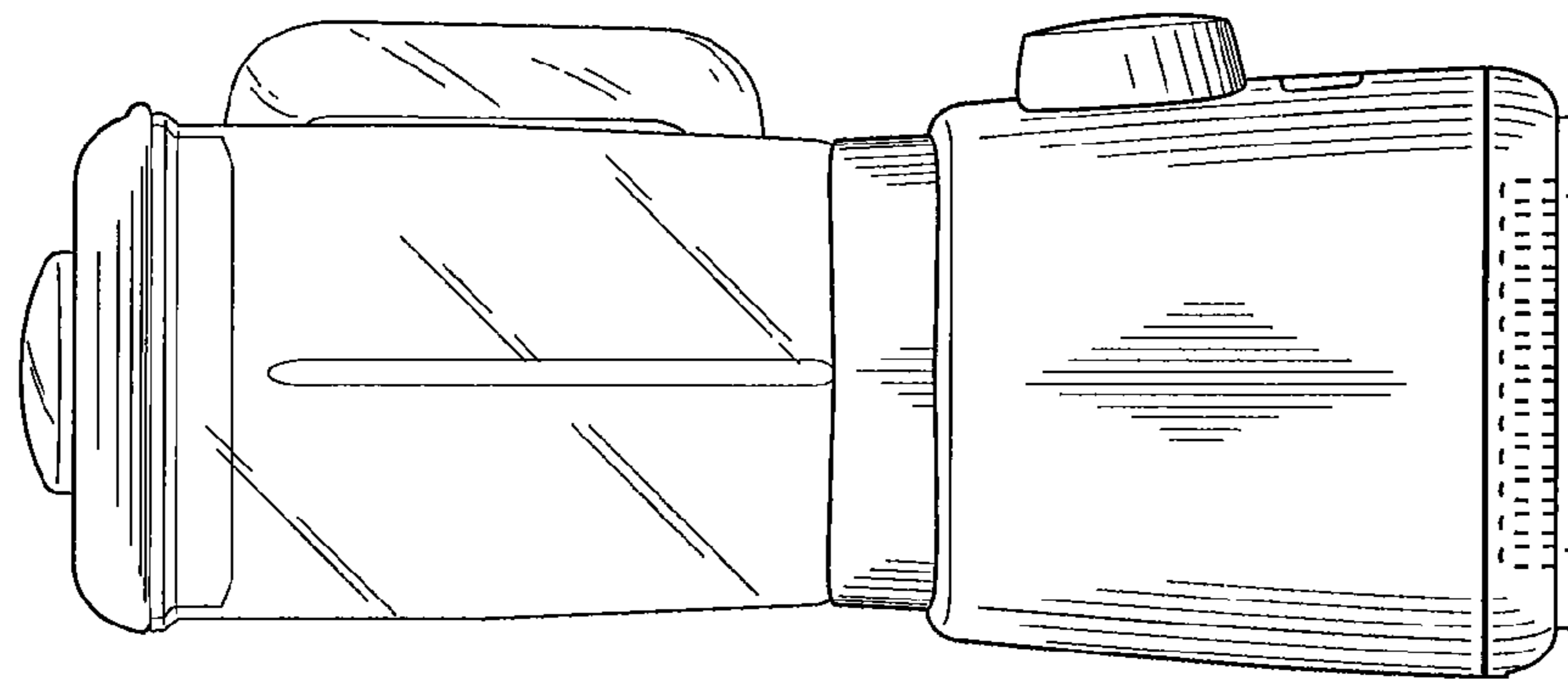


FIG. 4

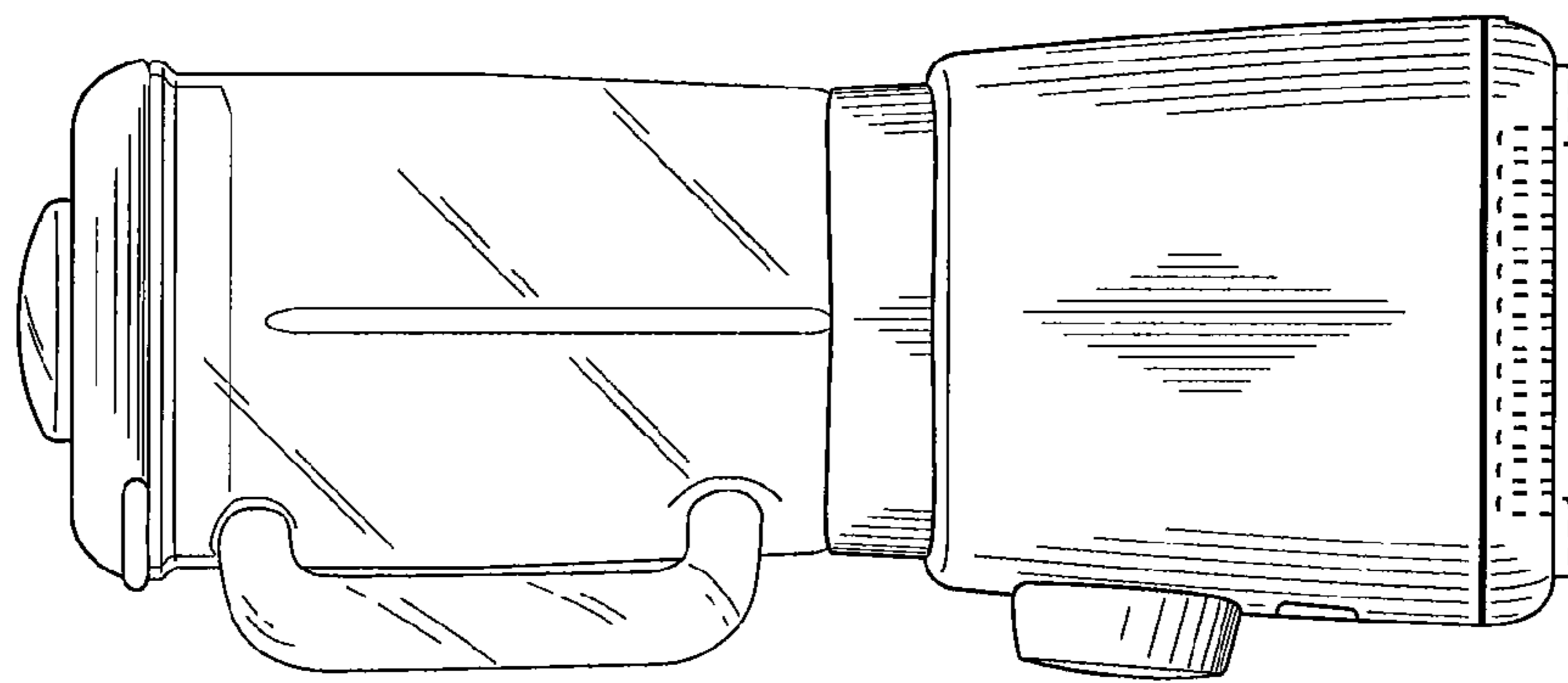


FIG. 3

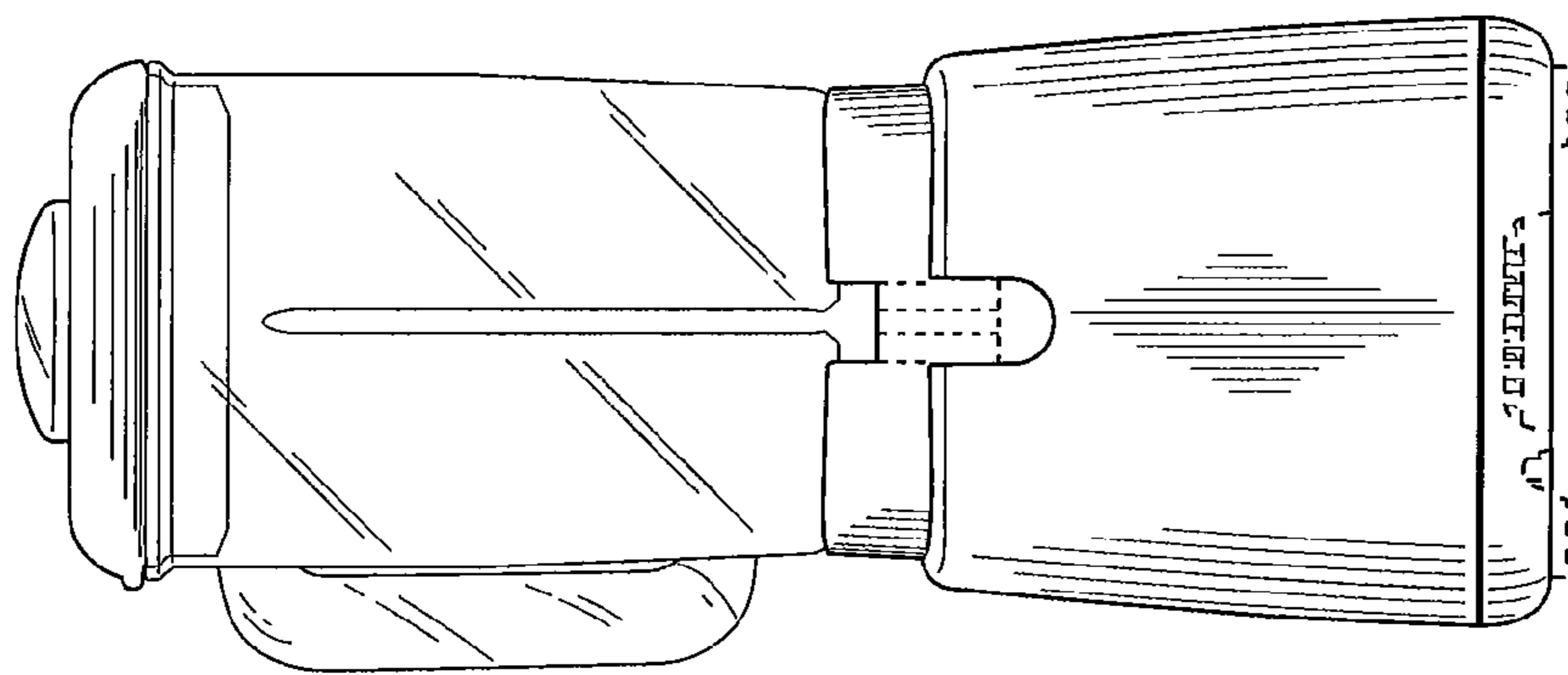


FIG. 2

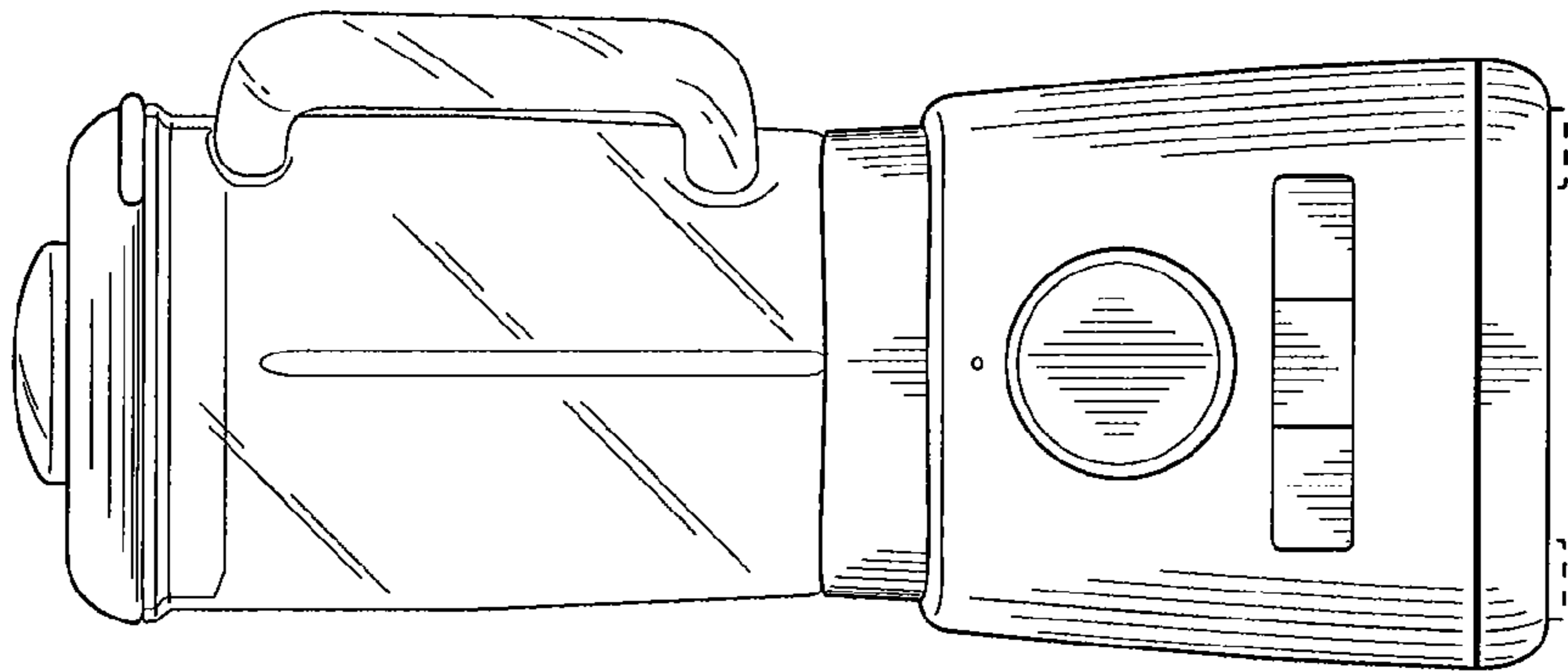


FIG. 1

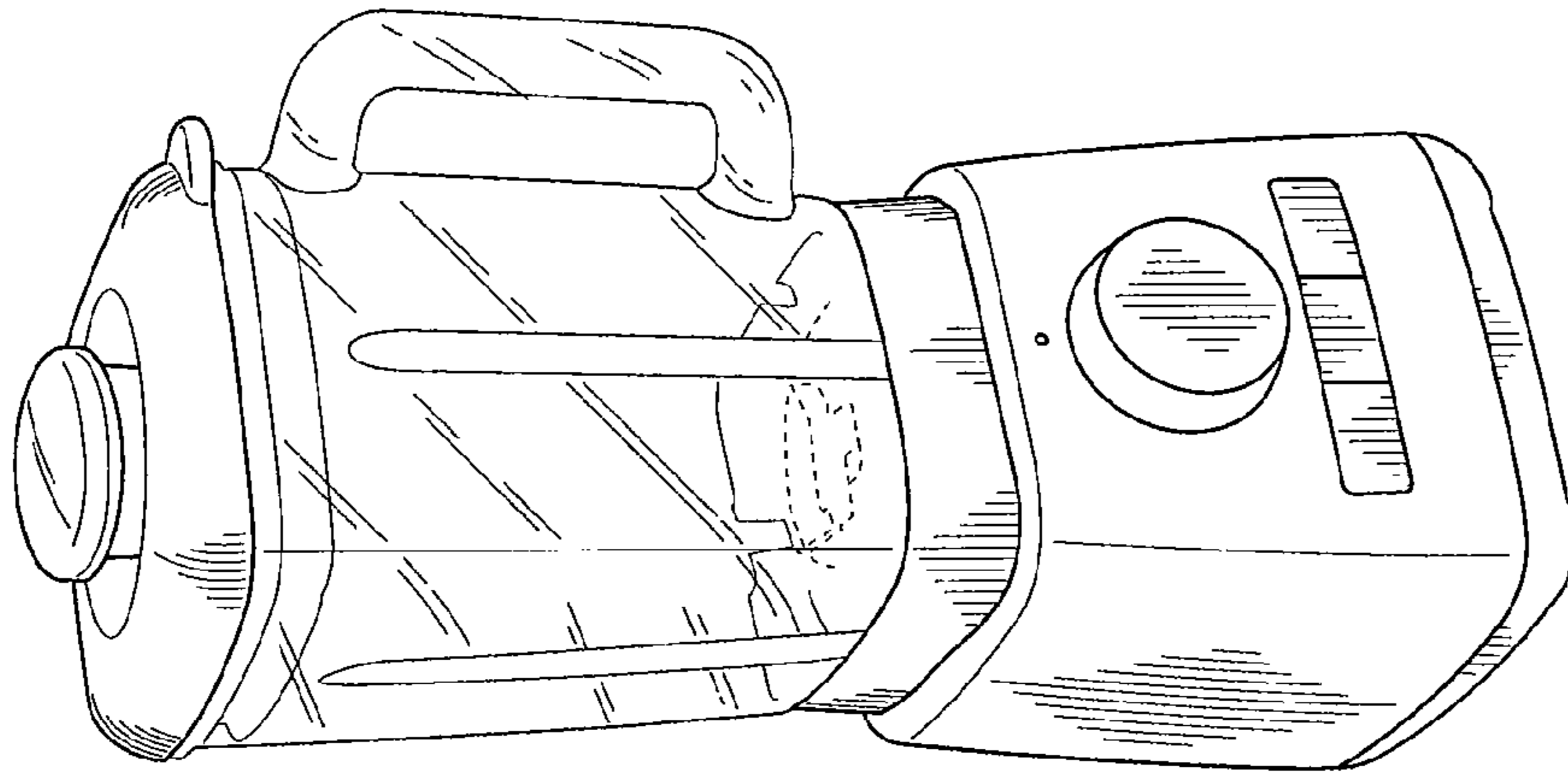


FIG. 7

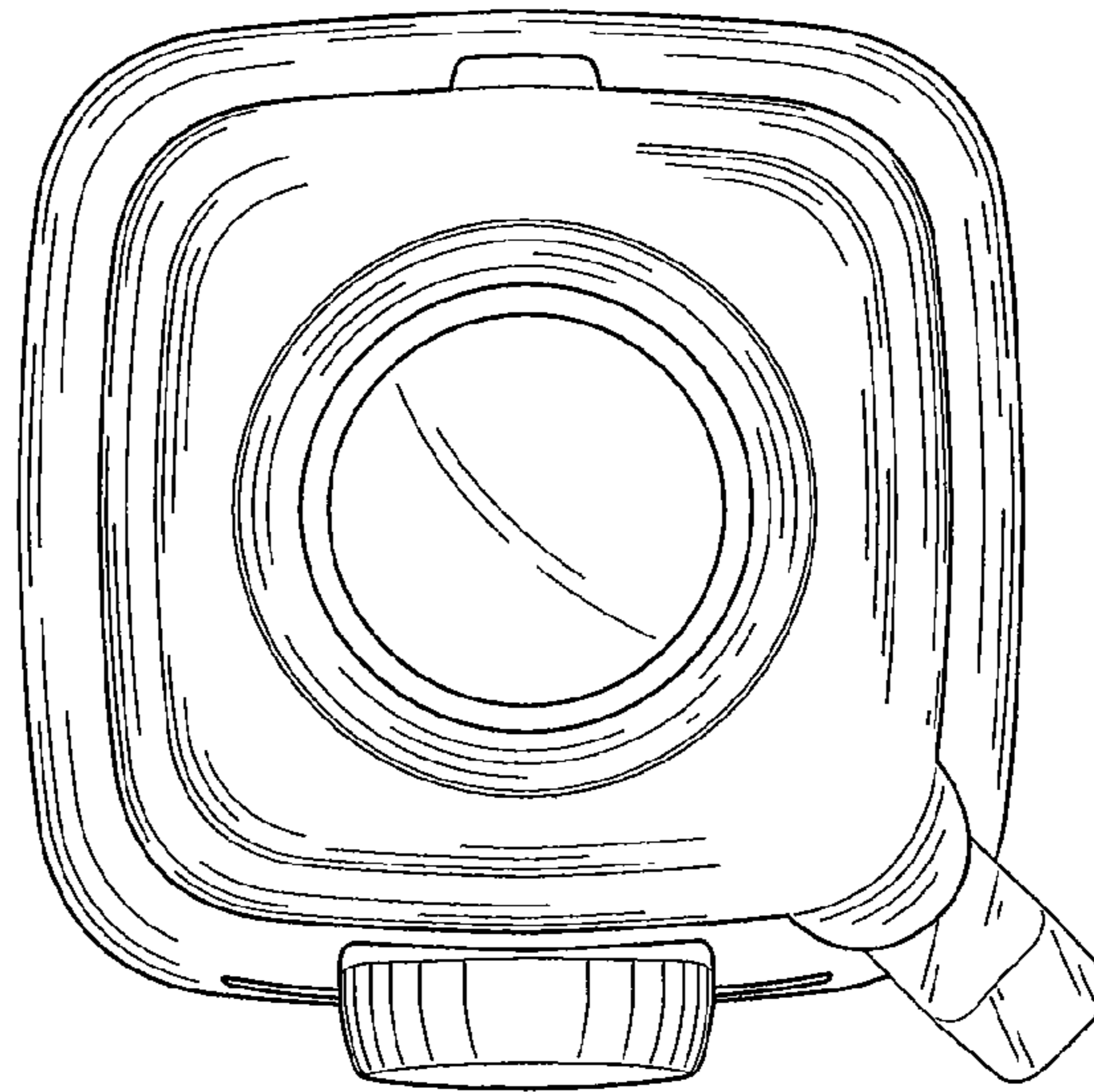


FIG. 6

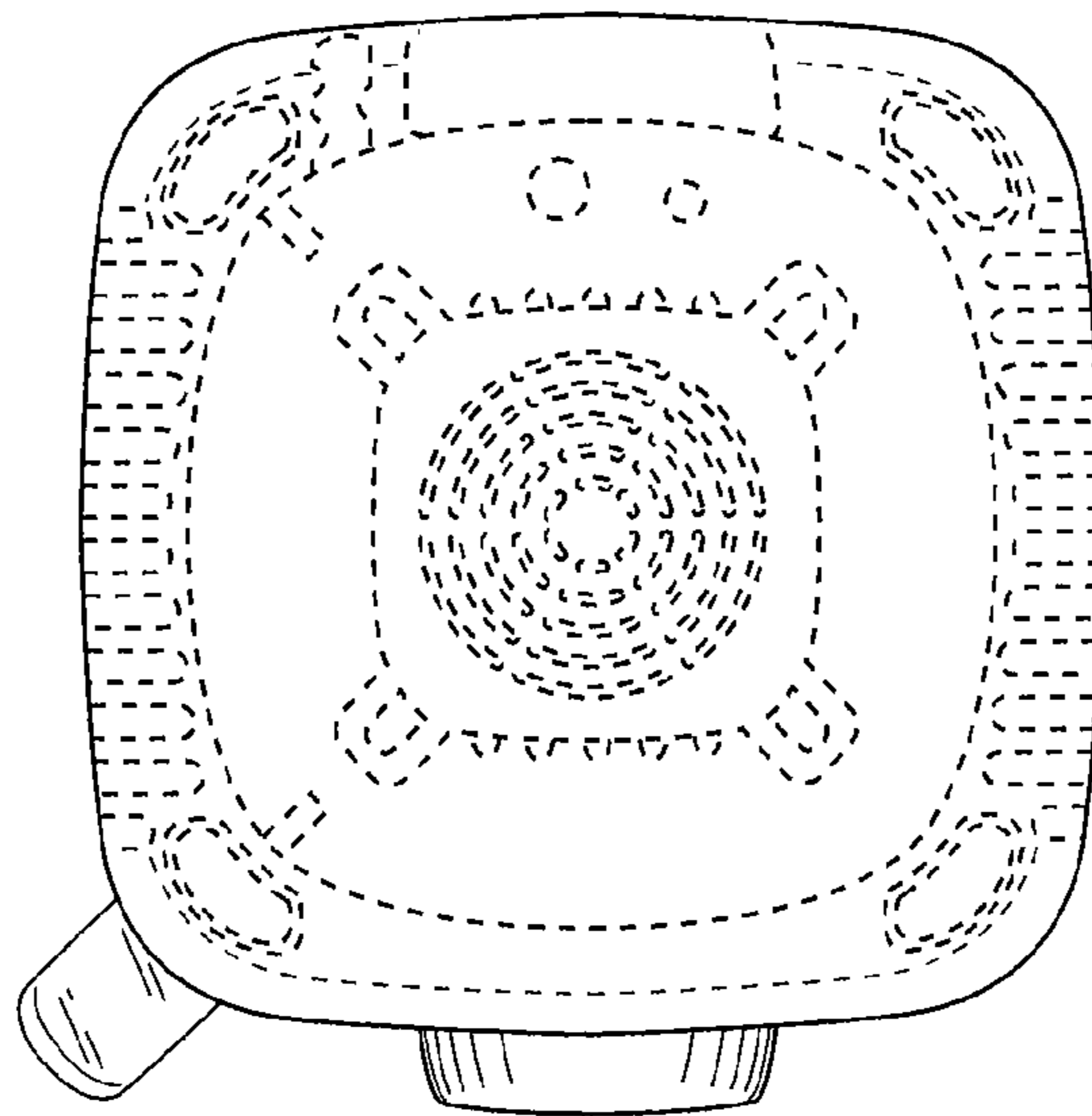


FIG. 5