



US00D642857S

(12) **United States Design Patent**
Bodum

(10) **Patent No.:** **US D642,857 S**

(45) **Date of Patent:** **** Aug. 9, 2011**

(54) **BLENDER**

(75) Inventor: **Jorgen Bodum**, Meggen (CH)

(73) Assignee: **PI-Design AG**, Triengen (CH)

(**) Term: **14 Years**

(21) Appl. No.: **29/382,488**

(22) Filed: **Jan. 4, 2011**

(30) **Foreign Application Priority Data**

Jul. 5, 2010 (WO) DM/073 879

(51) **LOC (9) Cl.** **31-00**

(52) **U.S. Cl.** **D7/378; D7/376; D7/384**

(58) **Field of Classification Search** D7/305-311,
D7/317-318, 368, 372, 376-386, 412-415,
D7/665; 99/326, 348, 508-511; 241/30-37.5,
241/101.01-101.2, 166-169.1, 285.1-285.3,
241/291, 292.1; 366/64-67, 98, 142, 197-211,
366/241-254, 279-292, 341-347; 416/75-76,
416/70 R, 163

See application file for complete search history.

(56) **References Cited**

U.S. PATENT DOCUMENTS

D242,208 S * 11/1976 Madl et al. D7/386
D343,547 S * 1/1994 Levin D7/386
D347,966 S * 6/1994 Doggett D7/378
6,092,922 A 7/2000 Kett et al.

D484,357 S 12/2003 Dalton et al.
D526,531 S 8/2006 Drees et al.
D533,395 S 12/2006 Wolters et al.
D552,419 S * 10/2007 Picozza et al. D7/412
D577,537 S 9/2008 Lee
7,581,688 B2 9/2009 Mally
D605,462 S * 12/2009 Picozza et al. D7/386
D611,760 S * 3/2010 Ball D7/378
D616,244 S * 5/2010 Thai et al. D7/378
D625,141 S * 10/2010 Moore D7/378
2010/0135109 A1 6/2010 Drees

* cited by examiner

Primary Examiner — Ricky Pham

(74) *Attorney, Agent, or Firm* — Sughrue Mion, PLLC

(57) **CLAIM**

The ornamental design for a blender, as shown and described.

DESCRIPTION

FIG. 1 is a perspective view of a blender showing my new design;

FIG. 2 is a right side elevation view thereof;

FIG. 3 is a left side elevation view thereof;

FIG. 4 is a front elevation view thereof;

FIG. 5 is a rear elevation view thereof;

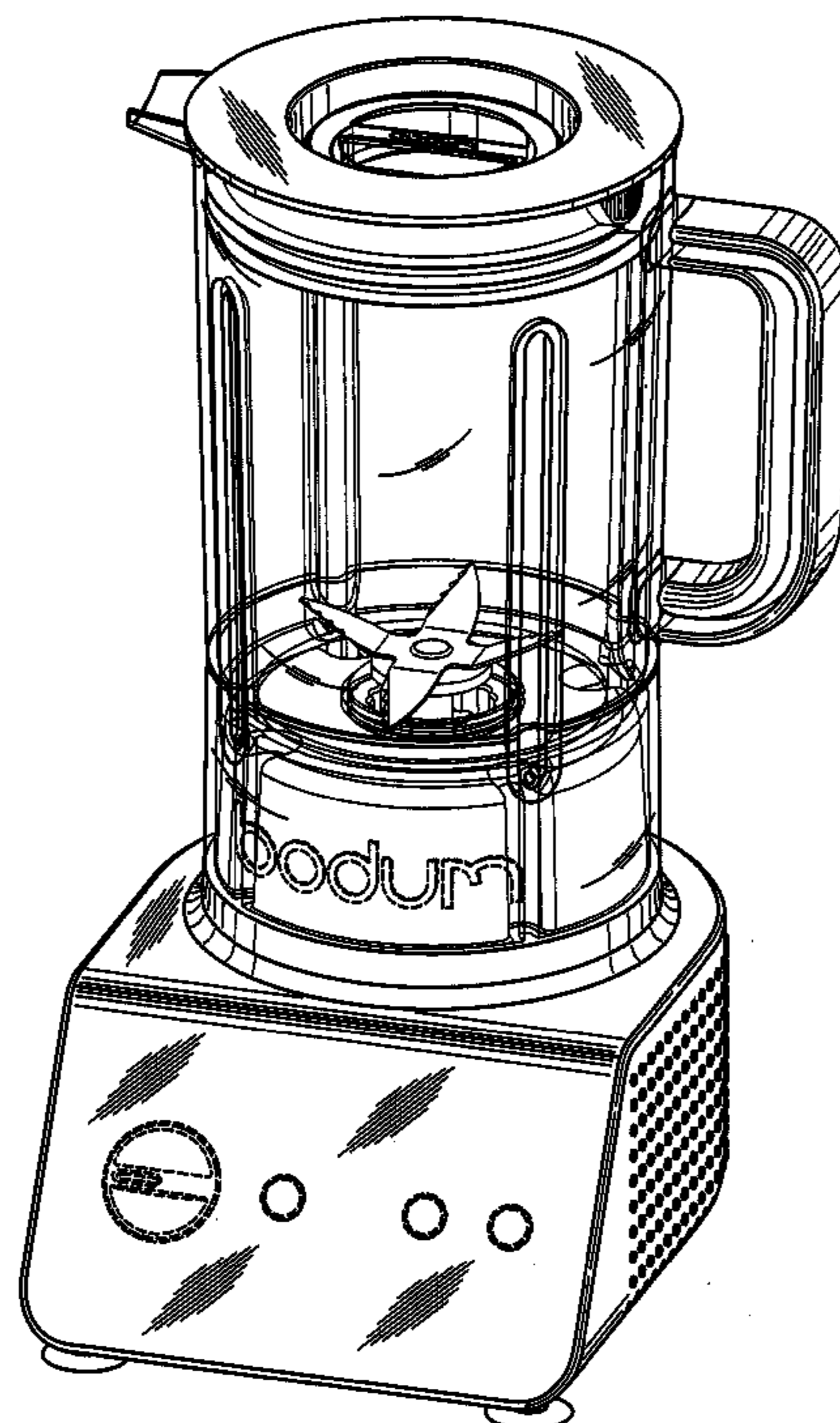
FIG. 6 is a top view thereof;

FIG. 7 is a bottom view thereof; and,

FIG. 8 is an exploded perspective view thereof; shown with the parts separated for completeness of illustration.

The broken lines depict environmental subject matter only and form no part of the claimed design.

1 Claim, 8 Drawing Sheets



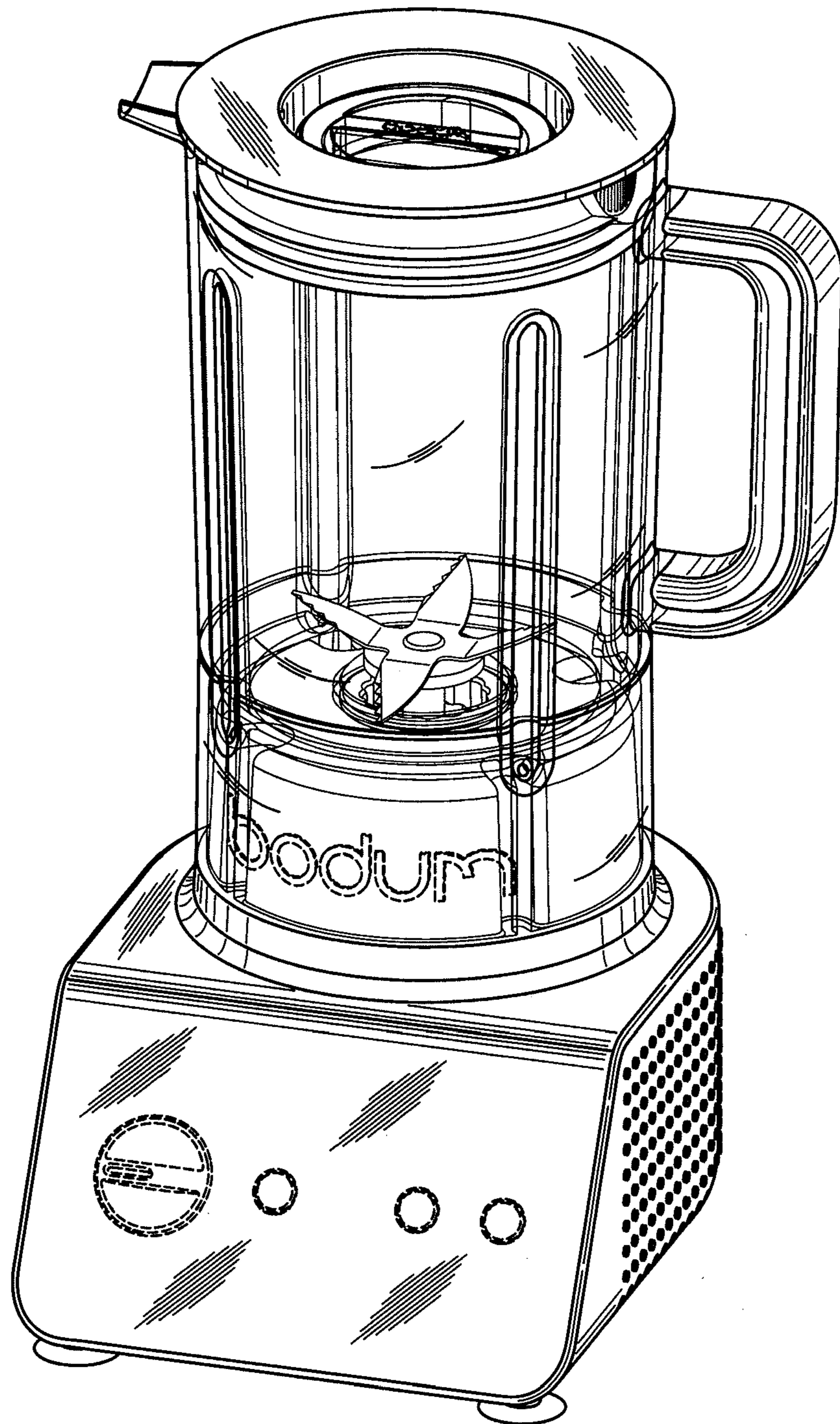


FIGURE 1

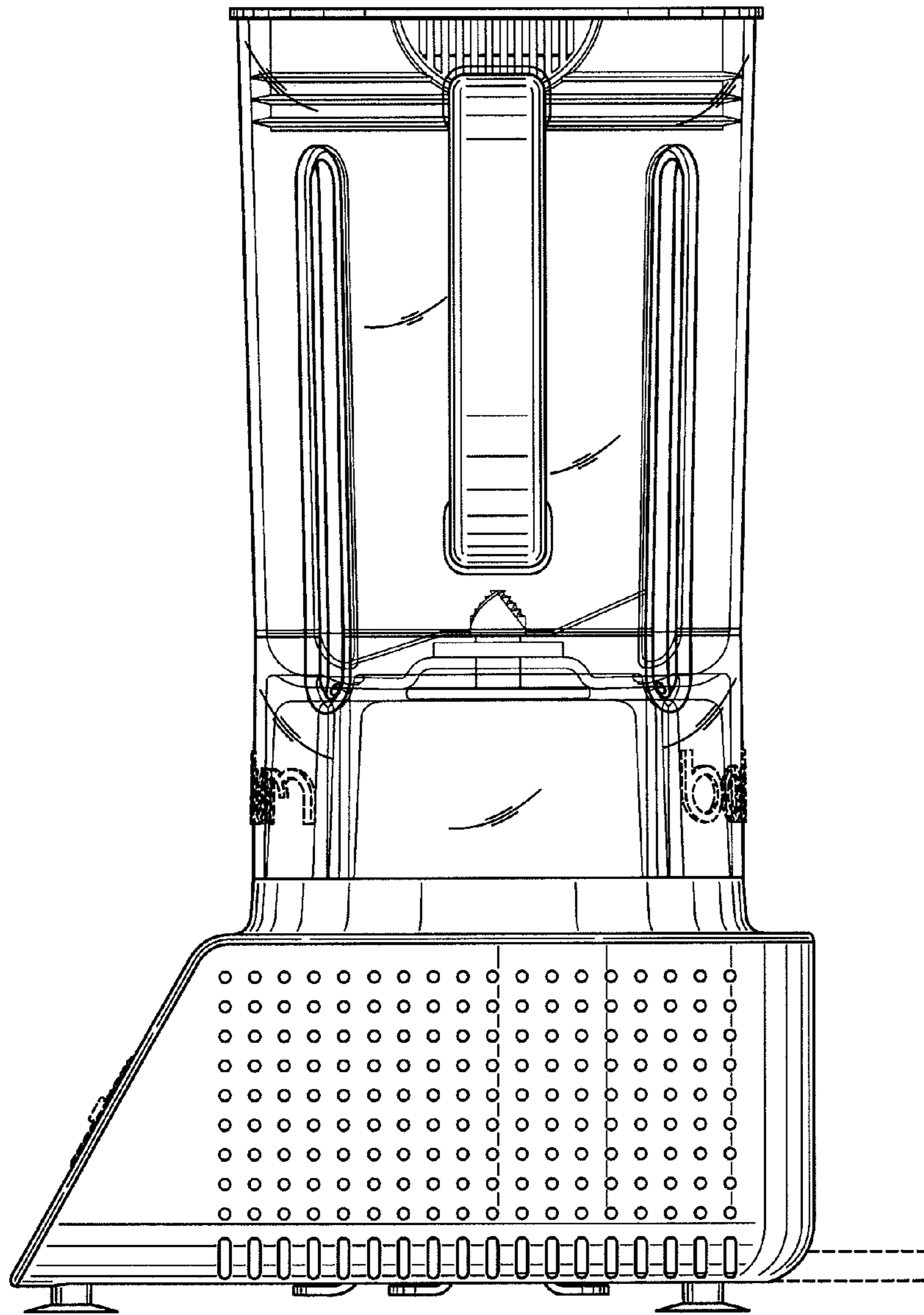


FIGURE 2

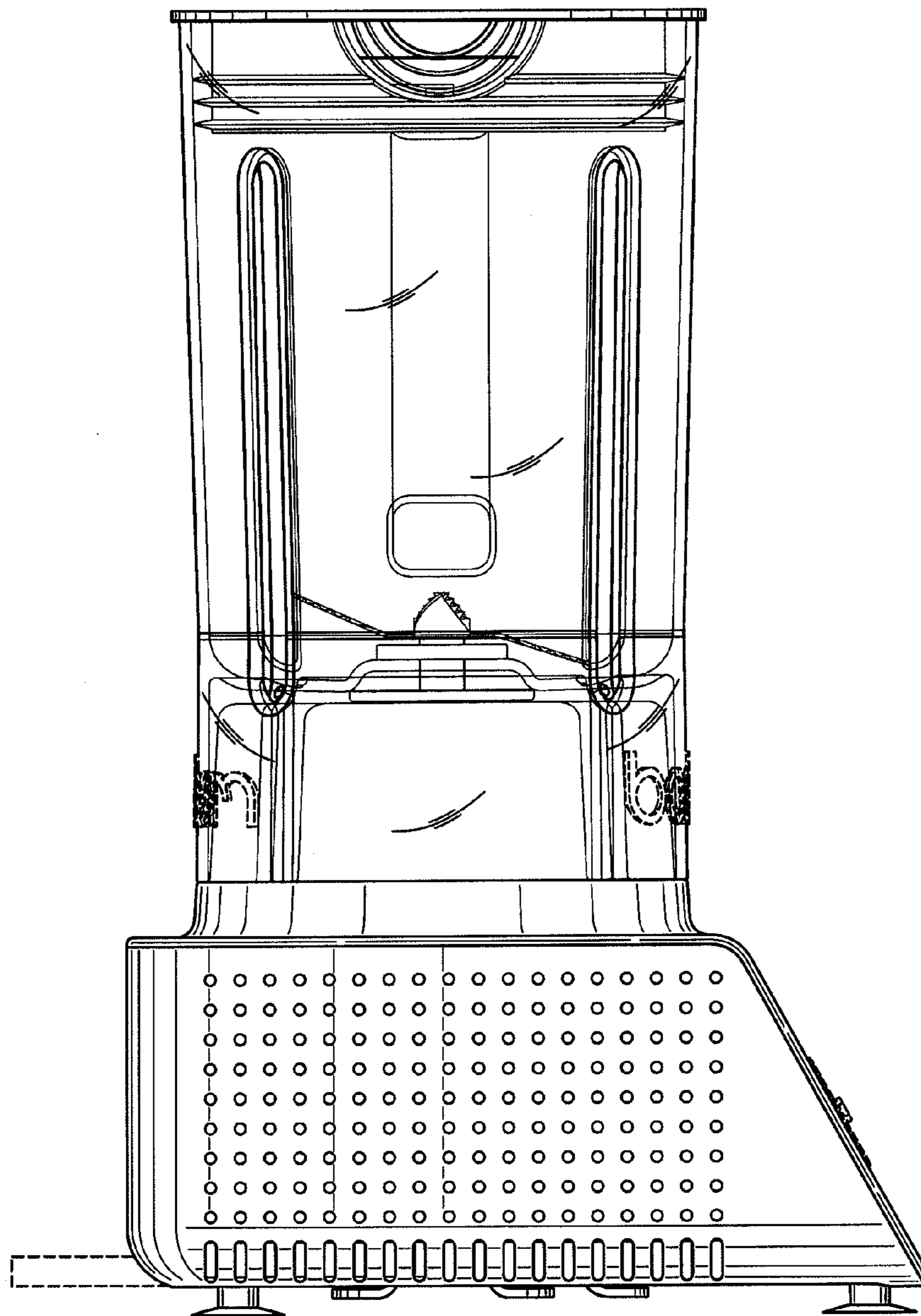


FIGURE 3

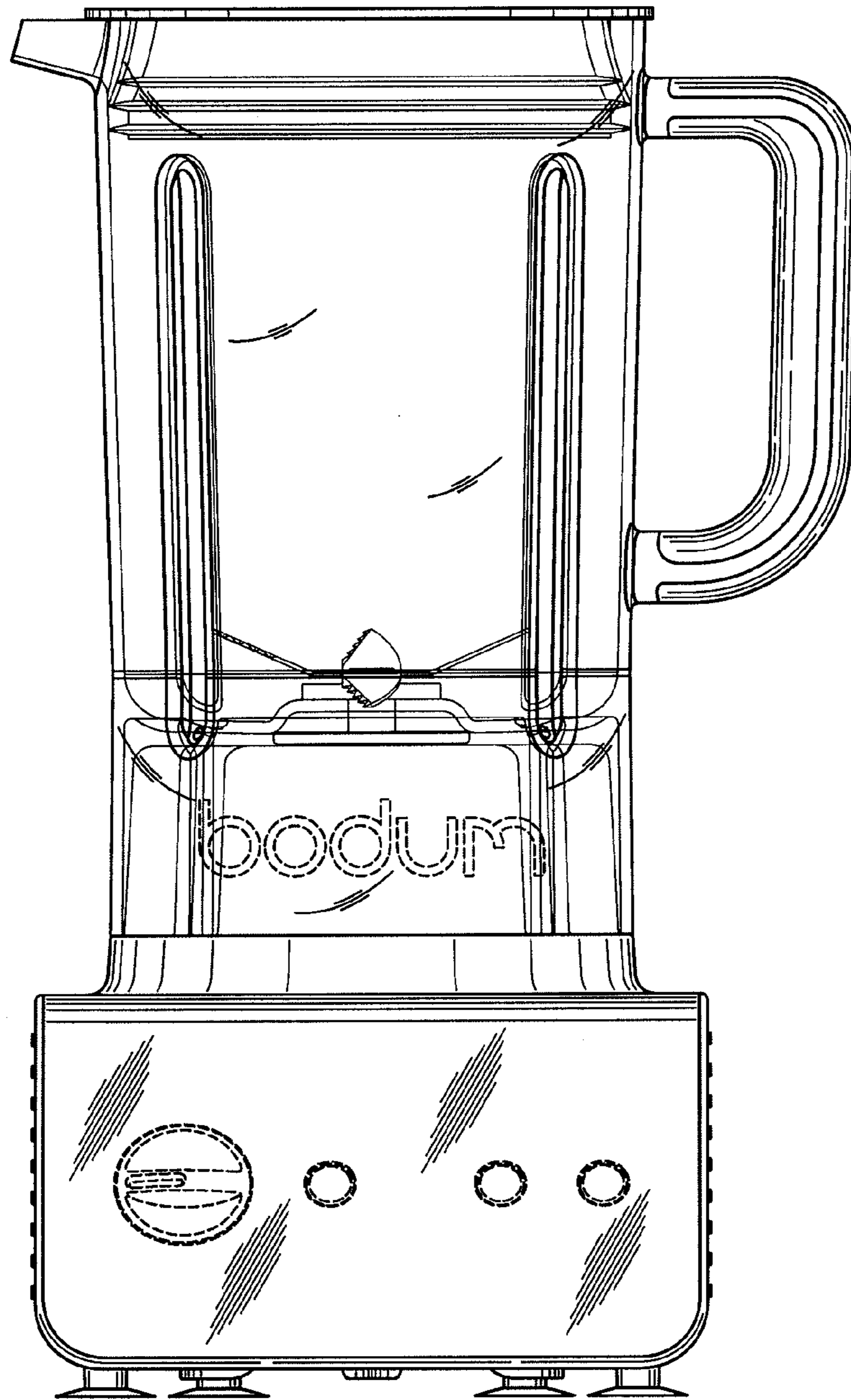


FIGURE 4

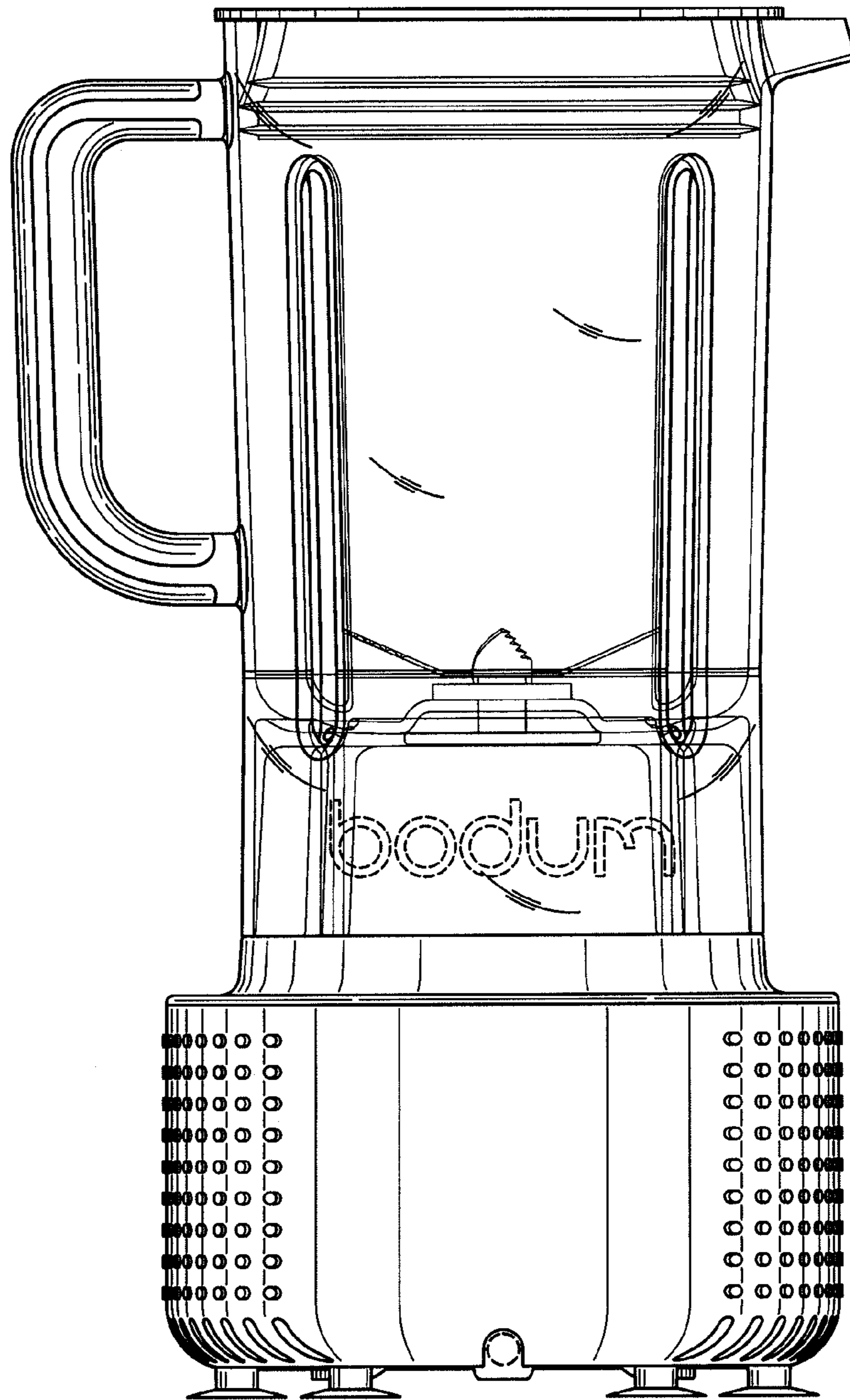


FIGURE 5

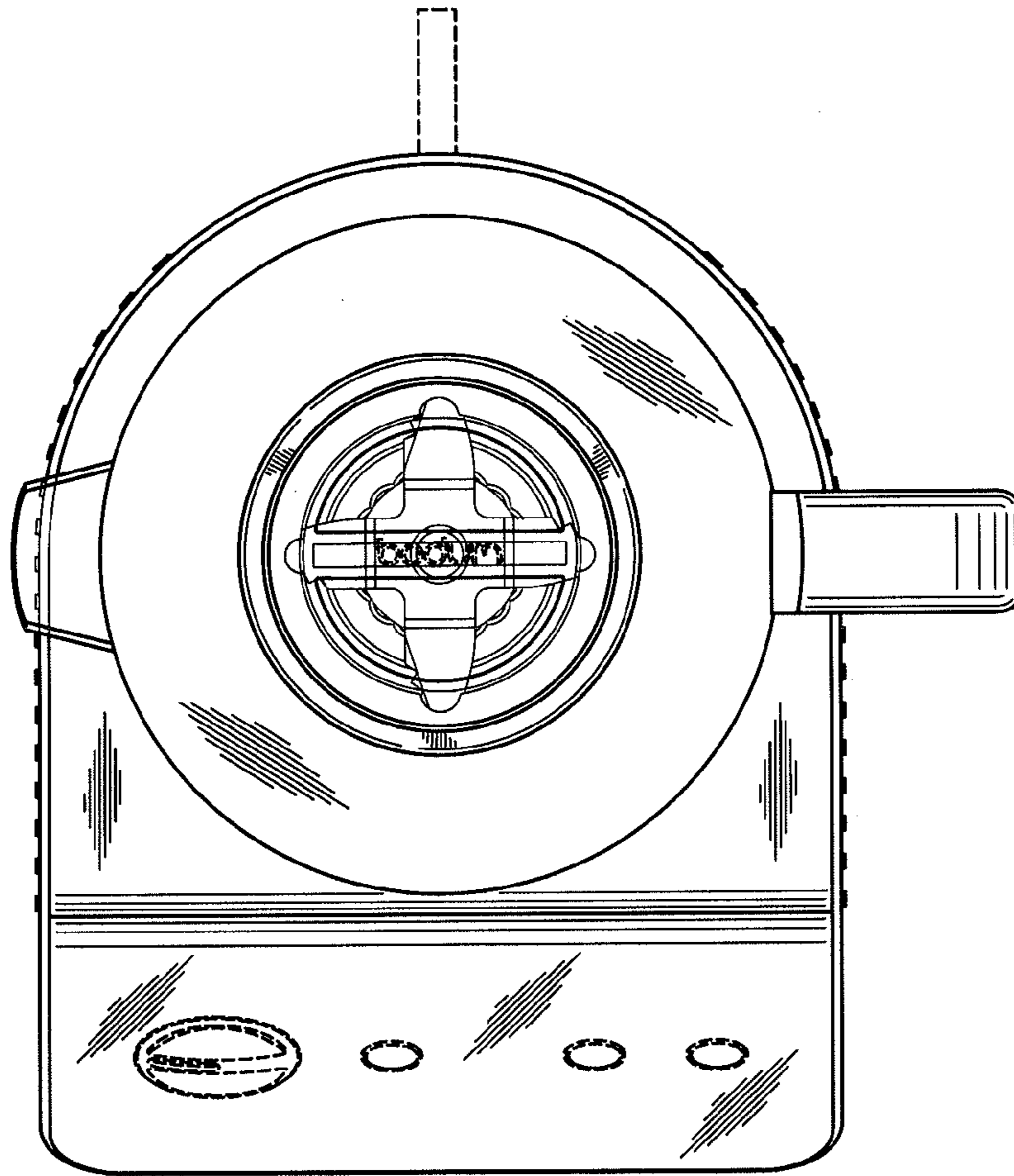


FIGURE 6

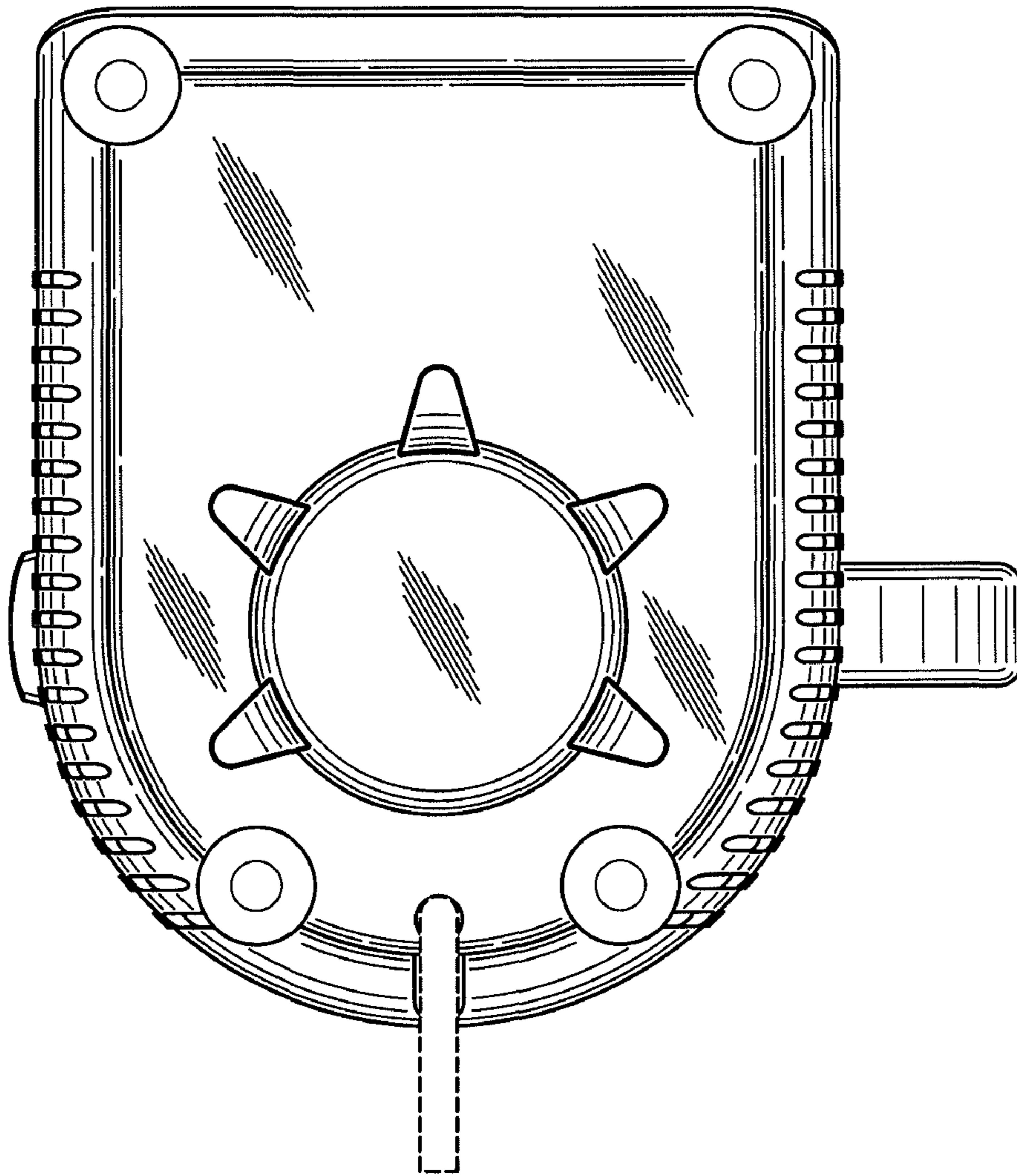


FIGURE 7

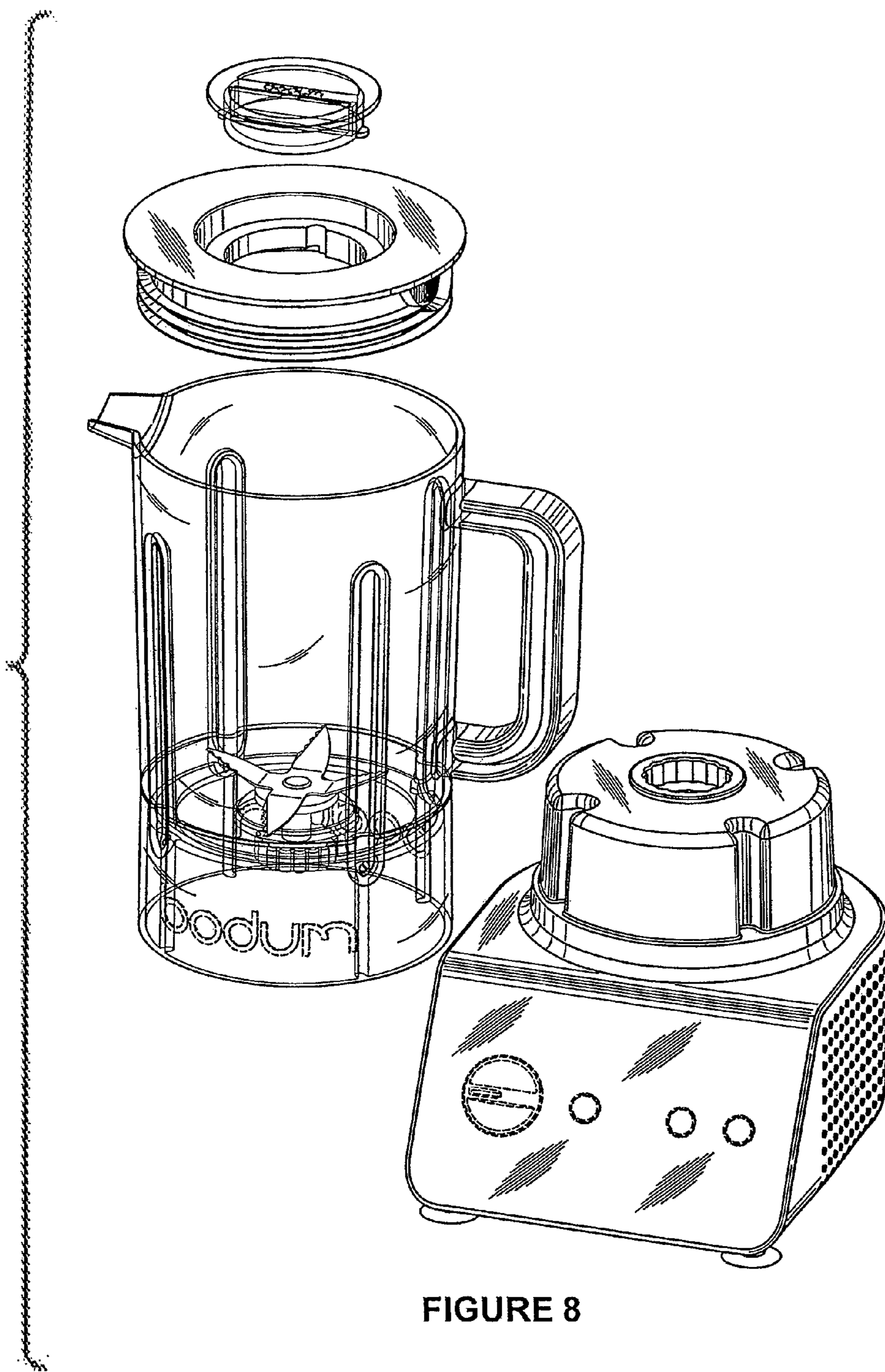


FIGURE 8