

US00D642856S

(12) **United States Design Patent**  
**Bock et al.**

(10) **Patent No.:** **US D642,856 S**  
(45) **Date of Patent:** **\*\* Aug. 9, 2011**

- (54) **SLOW COOKER**
- (75) Inventors: **Brian Bock**, Midlothian, VA (US);  
**Mark C. Steiner**, Midlothian, VA (US)
- (73) Assignee: **Hamilton Beach Brands, Inc.**, Glen  
Allen, VA (US)
- (\*\*) Term: **14 Years**
- (21) Appl. No.: **29/386,807**
- (22) Filed: **Mar. 4, 2011**
- (51) **LOC (9) Cl.** ..... **07-02**
- (52) **U.S. Cl.** ..... **D7/357; D7/354**
- (58) **Field of Classification Search** ..... D7/323,  
D7/329-331, 339, 346-347, 350.1-350.4,  
D7/354-366, 391, 393, 395, 402, 406, 538,  
D7/542, 587; 99/324-325, 331-332, 337-340,  
99/369, 403-418, 422, 444, 483; 126/37 R,  
126/261, 378.1; 206/501-505, 507-508;  
219/400, 405, 429-442, 620-624, 725, 730-735;  
220/315, 573.1-573.5, 912; 426/438, 441  
See application file for complete search history.

- D420,246 S \* 2/2000 Alonge et al. .... D7/360
- D425,360 S \* 5/2000 Dobson et al. .... D7/360
- 6,129,234 A 10/2000 Culig
- D433,869 S \* 11/2000 Wong et al. .... D7/360
- D434,940 S \* 12/2000 Hlava et al. .... D7/354
- 6,509,550 B1 1/2003 Li
- D476,191 S \* 6/2003 Josancy ..... D7/358
- 6,624,392 B2 9/2003 Li
- D486,352 S \* 2/2004 Park ..... D7/358
- 6,686,569 B2 2/2004 Li
- D492,882 S \* 7/2004 Liu ..... D7/360
- 6,802,429 B1 10/2004 Wildman
- 6,851,351 B2 2/2005 Payen
- 6,884,971 B2 4/2005 Li
- 6,998,581 B2 2/2006 Currie
- 7,012,221 B2 3/2006 Li
- D534,759 S 1/2007 Wang
- D537,670 S \* 3/2007 Genslak et al. .... D7/354
- D549,517 S \* 8/2007 Moran ..... D7/358
- 7,284,733 B2 10/2007 Parenteau
- D556,504 S \* 12/2007 Averty ..... D7/360
- D568,101 S \* 5/2008 Kaney et al. .... D7/406

(Continued)

Primary Examiner — Ricky Pham  
(74) Attorney, Agent, or Firm — Alexander D. Raring

(57) **CLAIM**  
The ornamental design for a slow cooker, as shown and described.

(56) **References Cited**

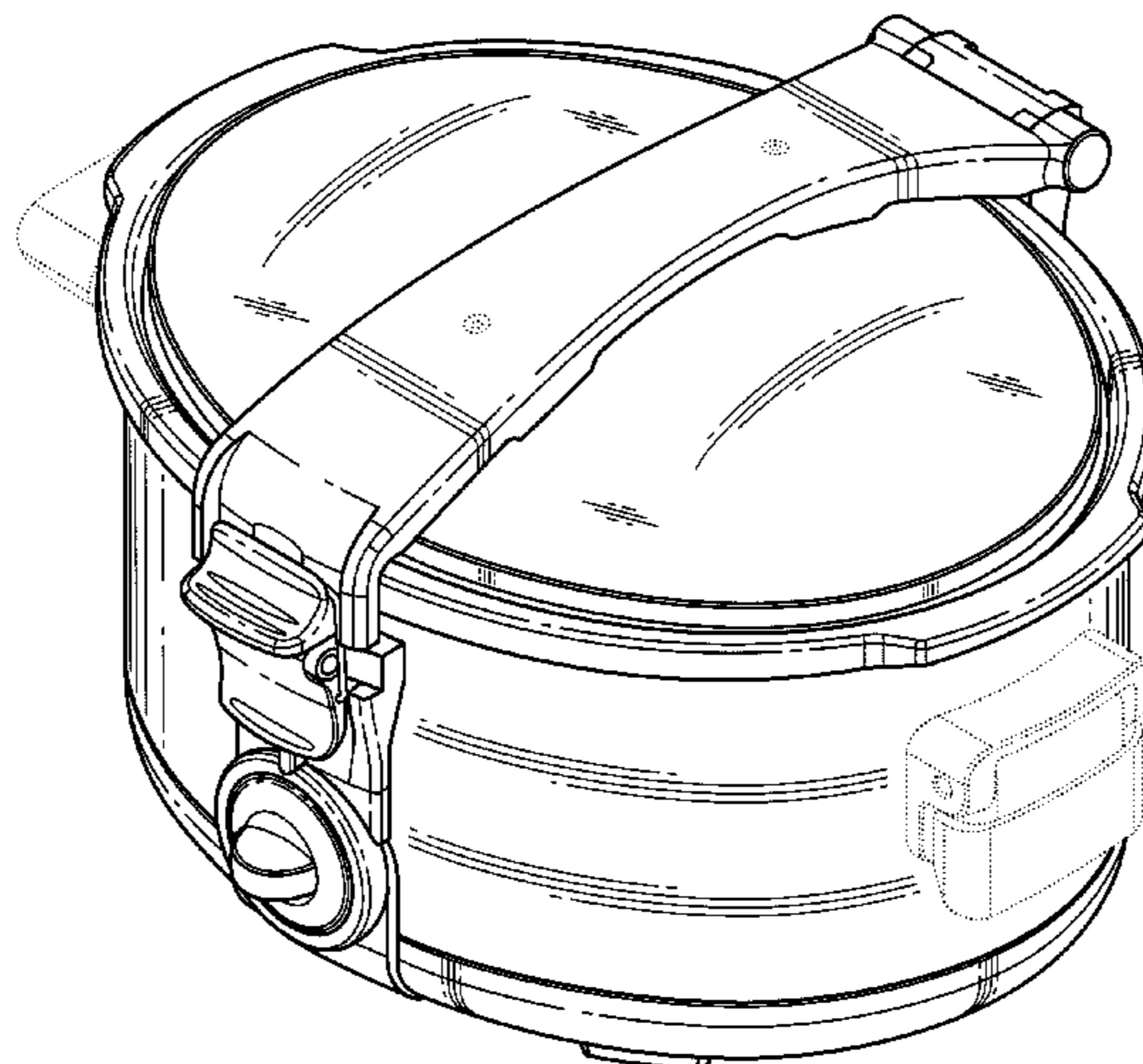
U.S. PATENT DOCUMENTS

- 3,801,331 A 4/1974 Sano
- 3,842,725 A 10/1974 Sano
- 4,148,250 A 4/1979 Miki et al.
- 4,847,949 A 7/1989 Goad
- D332,549 S 1/1993 Gerlach
- D341,058 S \* 11/1993 Slany et al. .... D7/360
- D345,485 S 3/1994 Leung
- D345,886 S 4/1994 Gingele
- D347,963 S \* 6/1994 Pretzsch ..... D7/360
- 5,429,039 A 7/1995 Chang
- D370,381 S \* 6/1996 Roussard ..... D7/358
- D370,827 S \* 6/1996 Combe ..... D7/360
- D380,504 S 7/1997 Yang
- D395,980 S 7/1998 Buissilier
- D418,360 S 1/2000 Kei

**DESCRIPTION**

FIG. 1 is a perspective view as seen from the top, front and right side of a slow cooker showing the new design; FIG. 2 is a front view thereof; FIG. 3 is a rear view thereof; FIG. 4 is a left side view thereof; FIG. 5 is a right side view thereof; FIG. 6 is a top view thereof; and, FIG. 7 is a bottom view thereof. The broken lines in the drawings are included for illustrative purposes only and form no part of the claimed design.

**1 Claim, 7 Drawing Sheets**



# US D642,856 S

Page 2

---

## U.S. PATENT DOCUMENTS

D590,204 S	4/2009	Tetreault		D635,818 S *	4/2011	Tse .....	D7/357
D590,654 S *	4/2009	Perkins et al. ....	D7/354	2004/0079747 A1 *	4/2004	Wang .....	219/438
D594,694 S *	6/2009	Pino et al. ....	D7/354	2005/0167435 A1	8/2005	Whitmer	
D611,758 S	3/2010	Seymour		2008/0083730 A1	4/2008	Dolgov	
7,717,028 B2	5/2010	Serra		2009/0218355 A1	9/2009	Chameroy et al.	
7,789,015 B2	9/2010	Crow					

\* cited by examiner

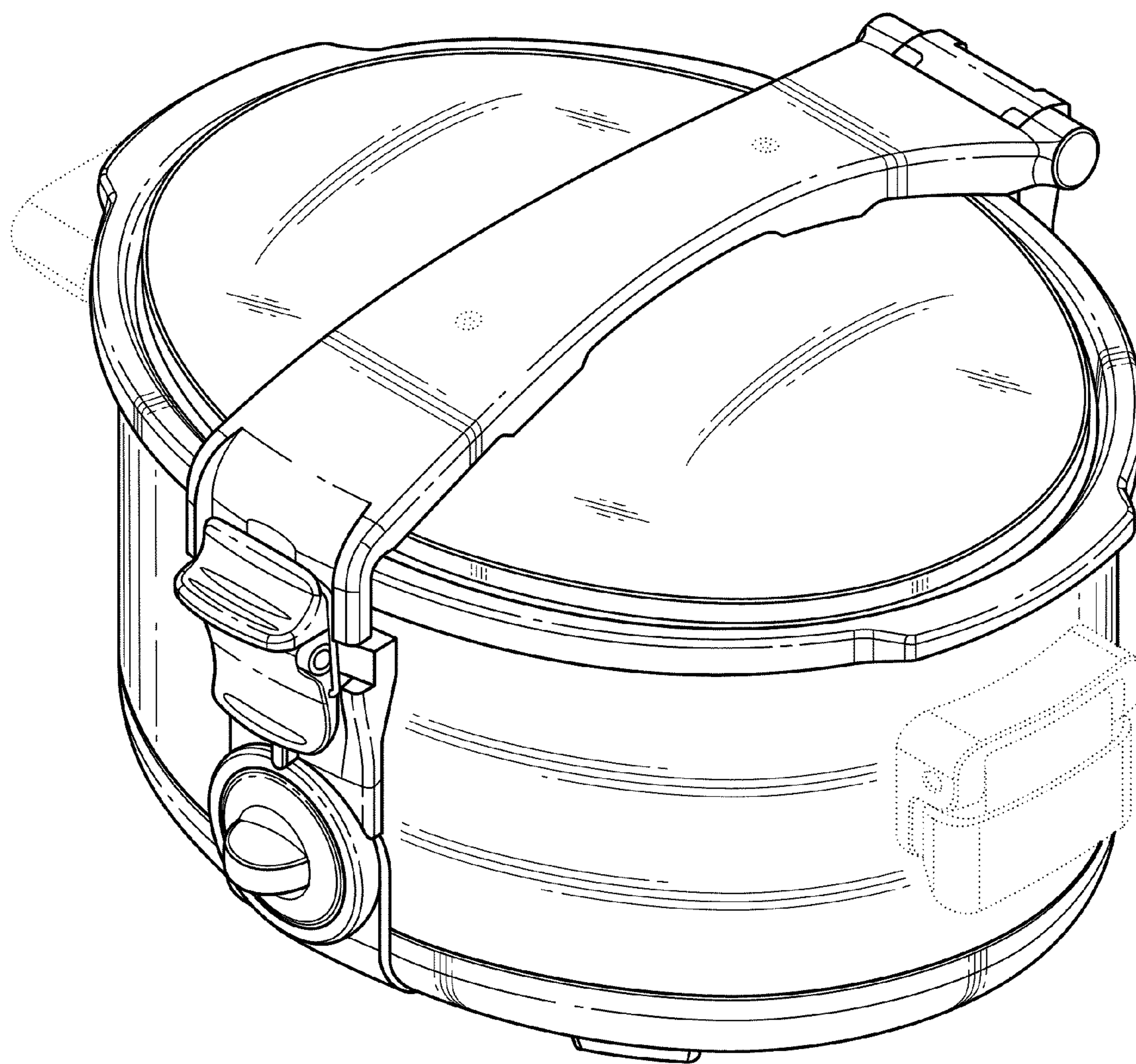


FIG. 1

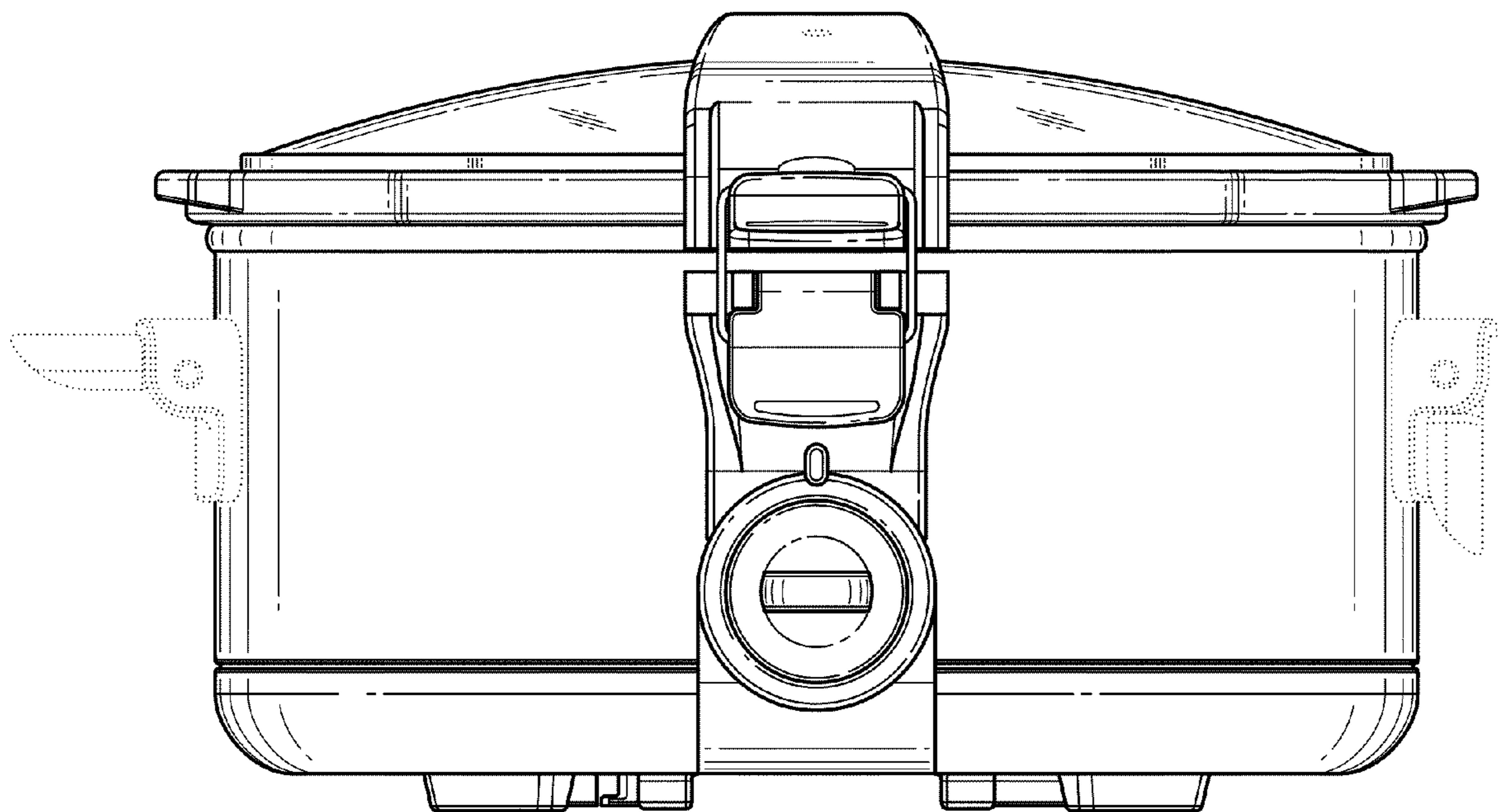


FIG. 2

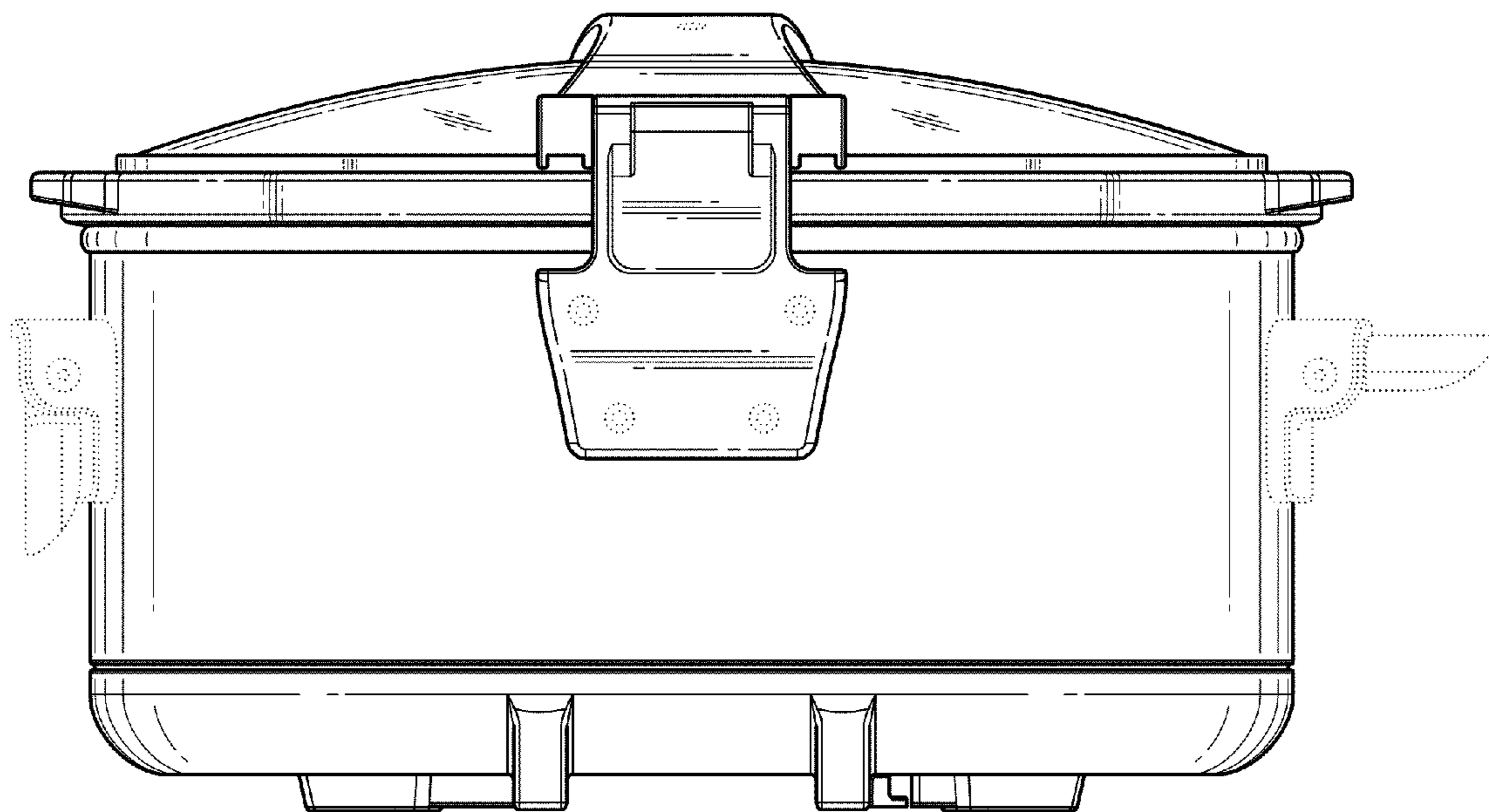


FIG. 3

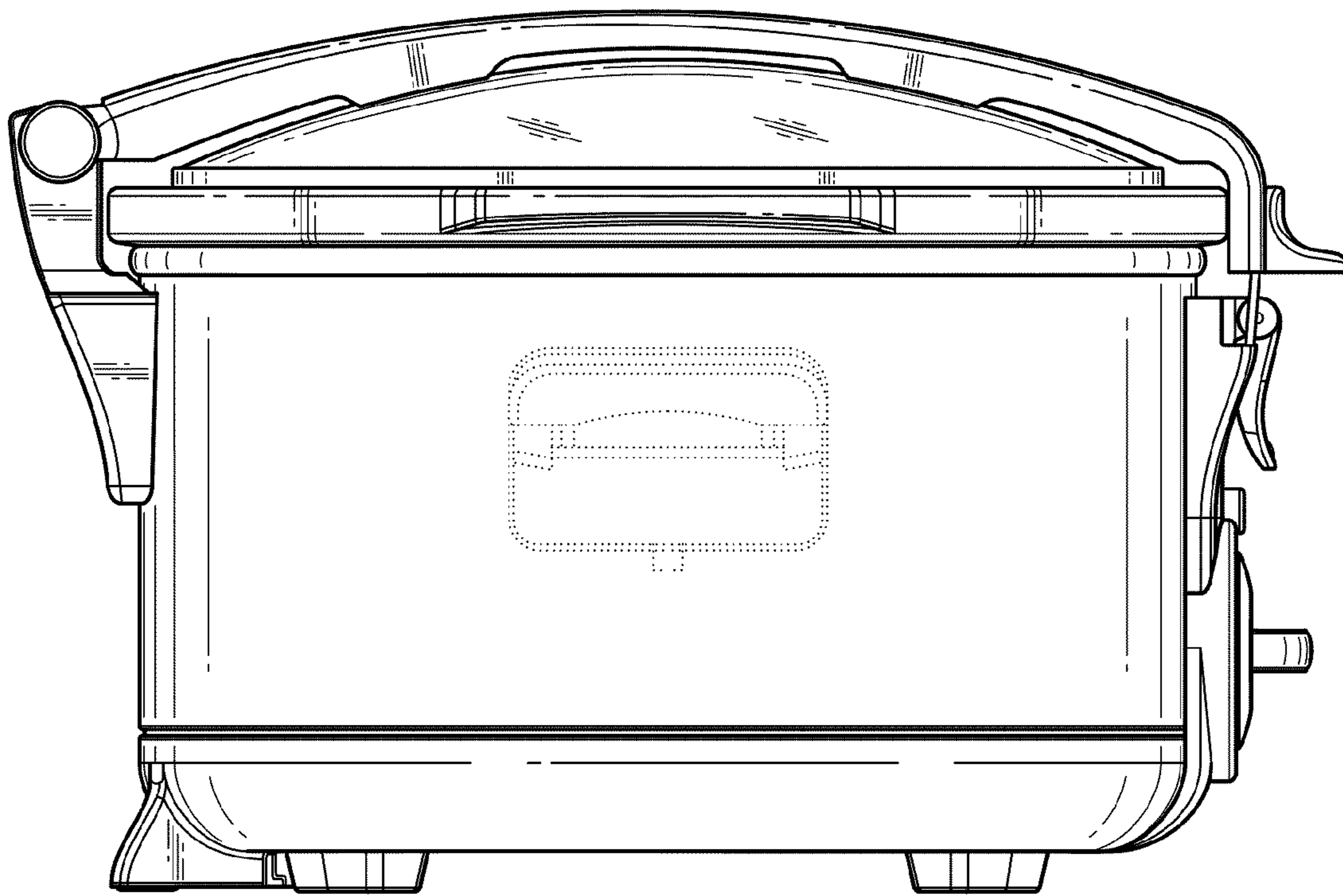


FIG. 4

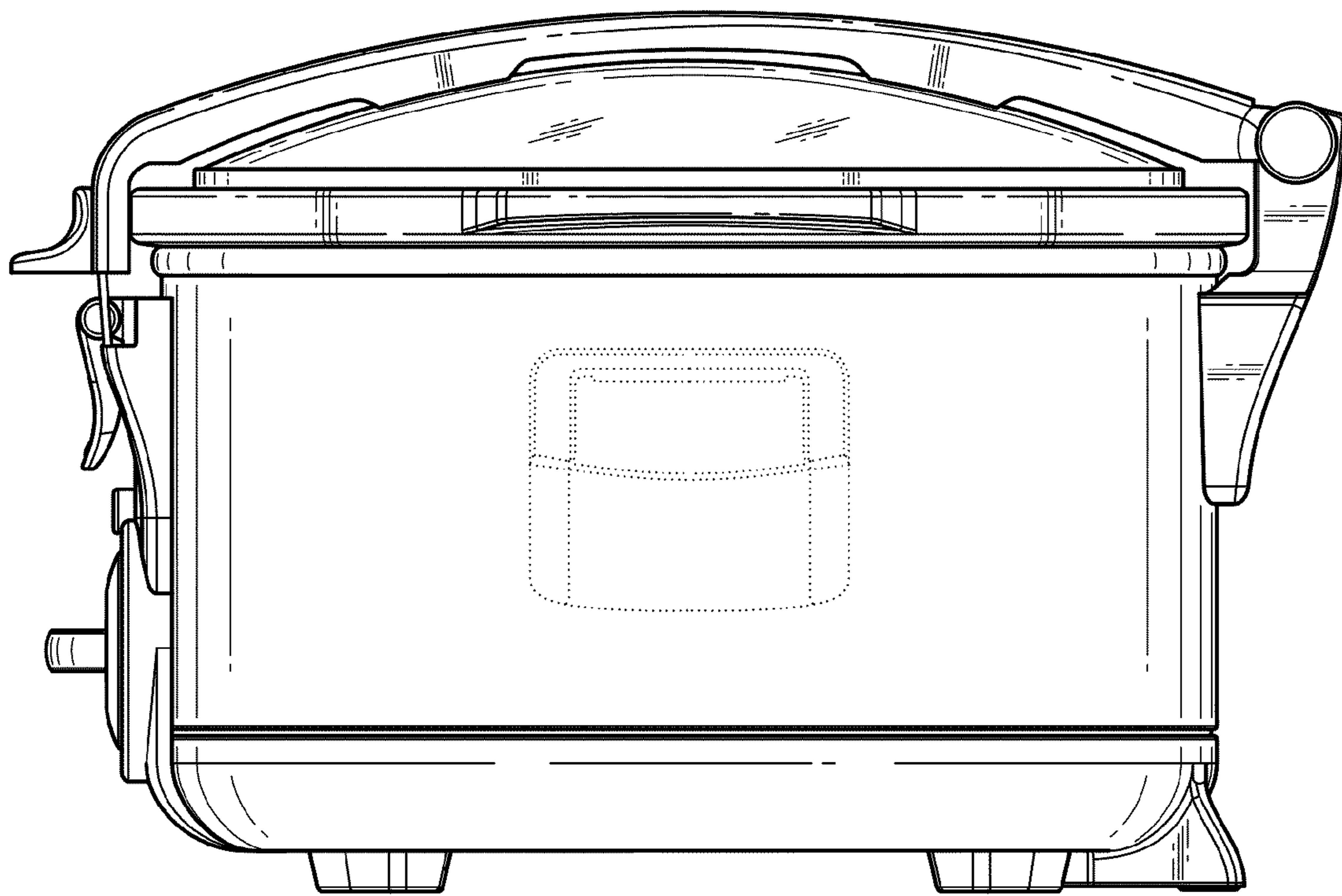


FIG. 5

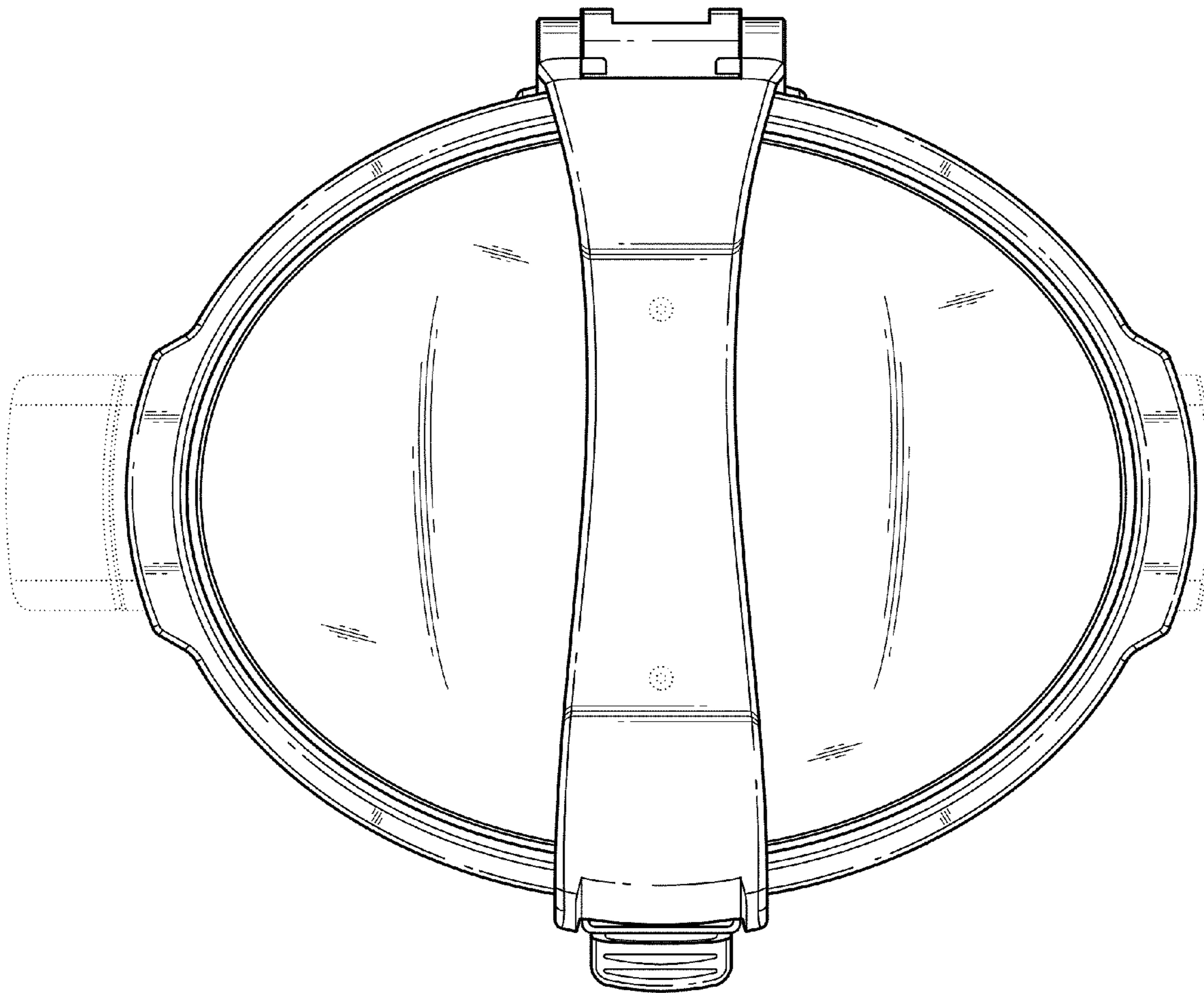


FIG. 6



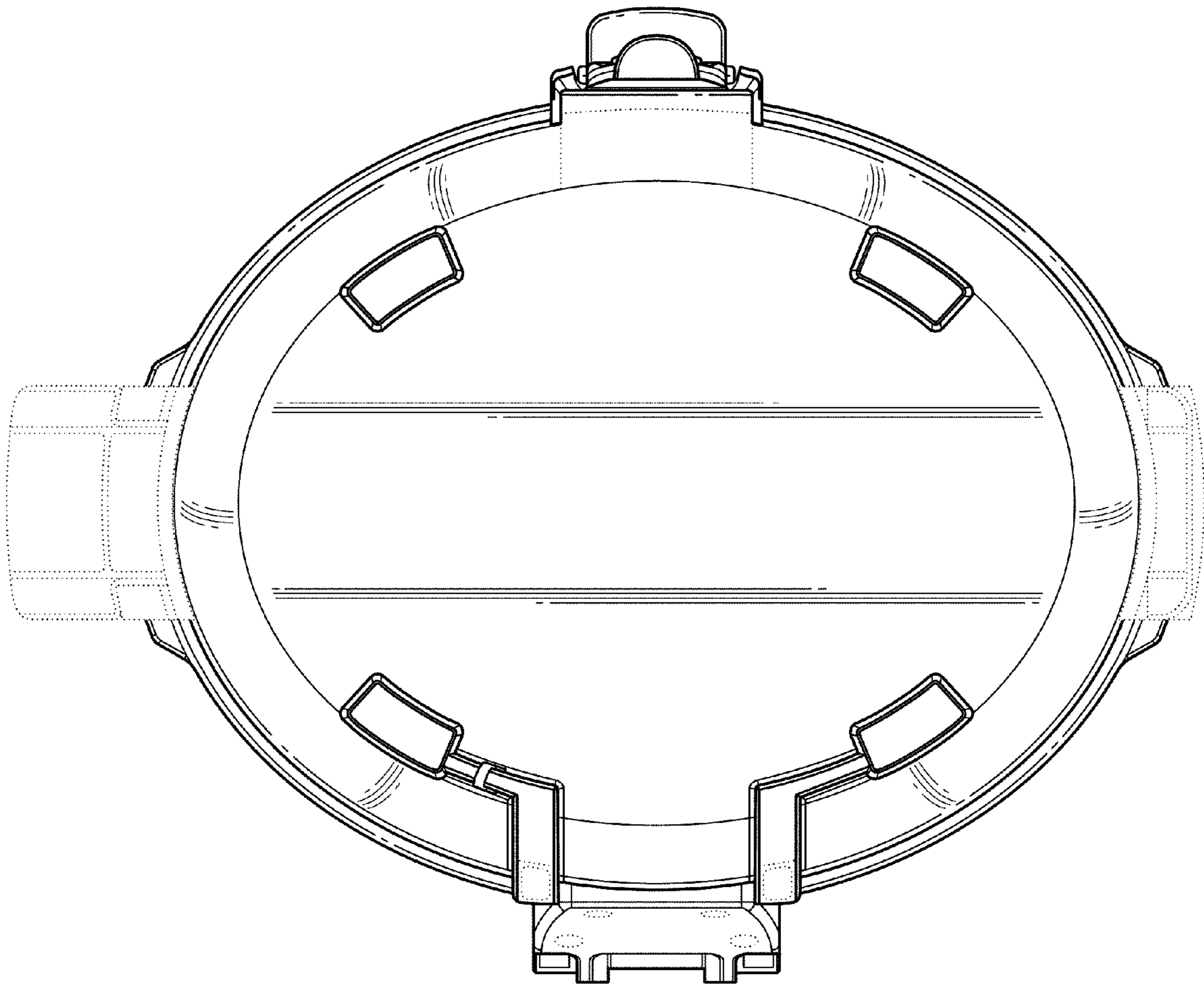


FIG. 7