



US00D642854S

(12) **United States Design Patent**
Kauer

(10) **Patent No.:** **US D642,854 S**

(45) **Date of Patent:** **** Aug. 9, 2011**

(54) **GRILL AND TOASTER**

(76) Inventor: **Frank Kauer**, Kwun Tong (HK)

(**) Term: **14 Years**

(21) Appl. No.: **29/381,693**

(22) Filed: **Dec. 22, 2010**

(30) **Foreign Application Priority Data**

Nov. 8, 2010 (EM) 1778374

(51) **LOC (9) Cl.** **07-02**

(52) **U.S. Cl.** **D7/330**

(58) **Field of Classification Search** D7/323,
D7/328-334, 340-341, 346, 350.4, 354-365,
D7/367, 390, 402, 405-411; 99/326-327,
99/329 R, 331-332, 341, 349, 357, 375, 385-389,
99/392, 423; 219/385-392, 405, 443.1, 450.1,
219/489, 492, 532; 426/233, 523
See application file for complete search history.

(56) **References Cited**

U.S. PATENT DOCUMENTS

D145,410 S	8/1946	Nierenberg et al.	
D158,210 S	4/1950	Madl	
D186,419 S	10/1959	Keefe	
3,517,605 A *	6/1970	Weiss et al.	99/423
4,261,257 A *	4/1981	Henderson et al.	99/386
D300,710 S	4/1989	Williams	
D314,686 S	2/1991	Hantz et al.	
5,673,608 A *	10/1997	DeMars	99/329 R
D393,395 S *	4/1998	Tanaka et al.	D7/350.4
6,019,030 A *	2/2000	Kettman	99/386
D442,817 S	5/2001	Demore	
D475,234 S *	6/2003	Takase et al.	D7/328
D509,703 S	9/2005	Barker	
D514,869 S	2/2006	Currie	
7,189,945 B2 *	3/2007	Starr et al.	219/392
D549,034 S	8/2007	Garman et al.	
D583,184 S *	12/2008	DeLong	D7/329

(Continued)

Primary Examiner — Ricky Pham

(74) *Attorney, Agent, or Firm* — Henry B. Ward, III; Moore & Van Allen

(57) **CLAIM**

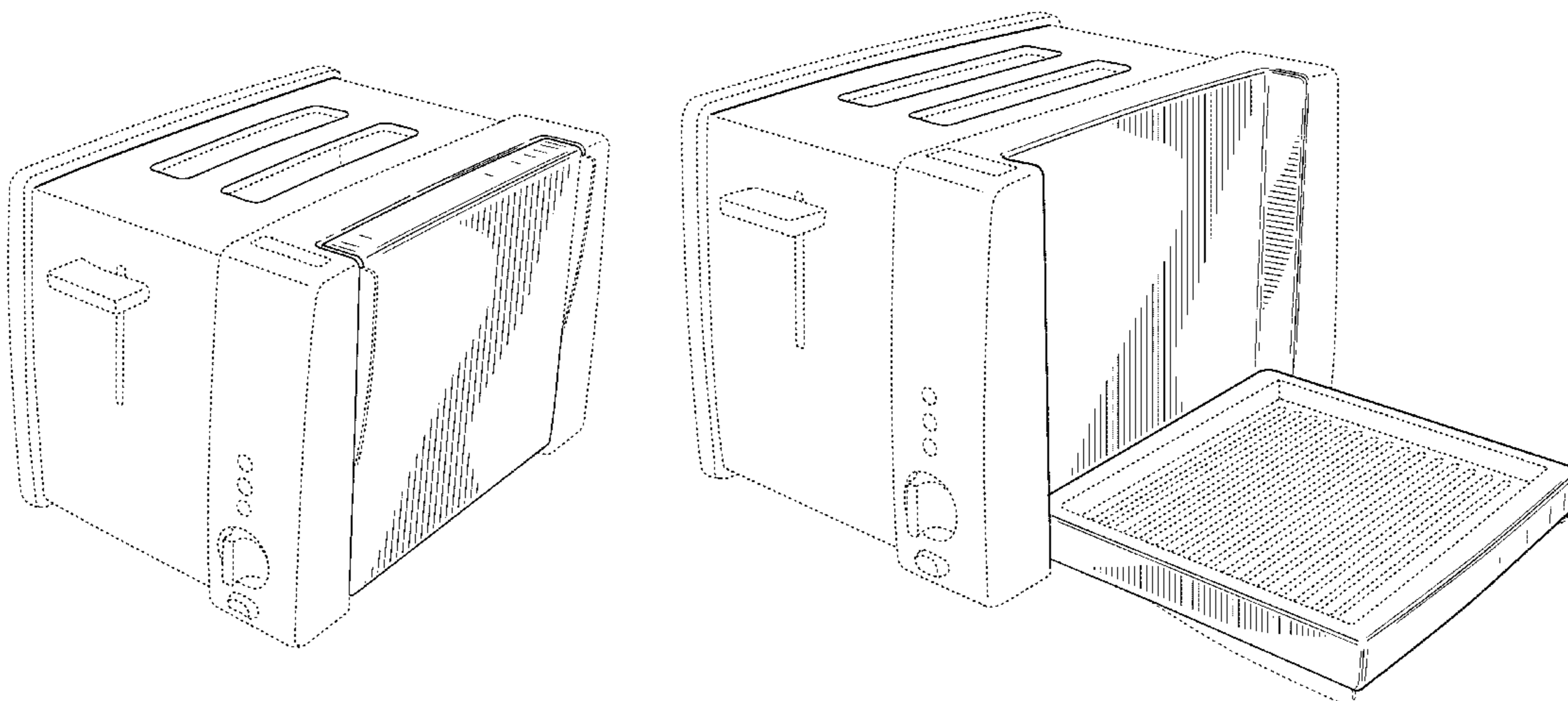
The ornamental design for a grill and toaster, as shown and described.

DESCRIPTION

FIG. 1 is a front, top and right-side-perspective view of a grill and toaster of the present invention;
 FIG. 2 is a right side-elevational view of the grill and toaster of FIG. 1;
 FIG. 3 is a left-side-elevational view of the grill and toaster of FIG. 1;
 FIG. 4 is a rear-elevational view of the grill and toaster of FIG. 1;
 FIG. 5 is a front-elevational view of the grill and toaster of FIG. 1;
 FIG. 6 is a top-plan view of the grill and toaster of FIG. 1;
 FIG. 7 is a bottom-plan view of the grill and toaster of FIG. 1;
 FIG. 8 is a front, top and right-side-perspective view of the grill and toaster of FIG. 1, shown with the grill door in the open position for completeness of illustration;
 FIG. 9 is a right side-elevational view of the grill and toaster of FIG. 8;
 FIG. 10 is a left-side-elevational view of the grill and toaster of FIG. 8;
 FIG. 11 is a rear-elevational view of the grill and toaster of FIG. 8;
 FIG. 12 is a front-elevational view of the grill and toaster of FIG. 8;
 FIG. 13 is a top-plan view of the grill and toaster of FIG. 8;
 and,
 FIG. 14 is a bottom-plan view of the grill and toaster of FIG. 8.

The broken lines shown in the drawings are shown for illustrative purposes only and form no part of the claimed design. In addition, the surface shading, if any, illustrated in the drawings is provided merely to highlight the contour of the design; it is not intended to be illustrative of texture or gloss.

1 Claim, 10 Drawing Sheets



US D642,854 S

Page 2

U.S. PATENT DOCUMENTS			
D598,236 S *	8/2009	Dyson et al.	D7/328
D622,091 S *	8/2010	Knox et al.	D7/330
		2003/0051605 A1 *	3/2003 Frantz et al. 99/349
		2009/0139409 A1 *	6/2009 Hall et al. 99/326
		* cited by examiner	

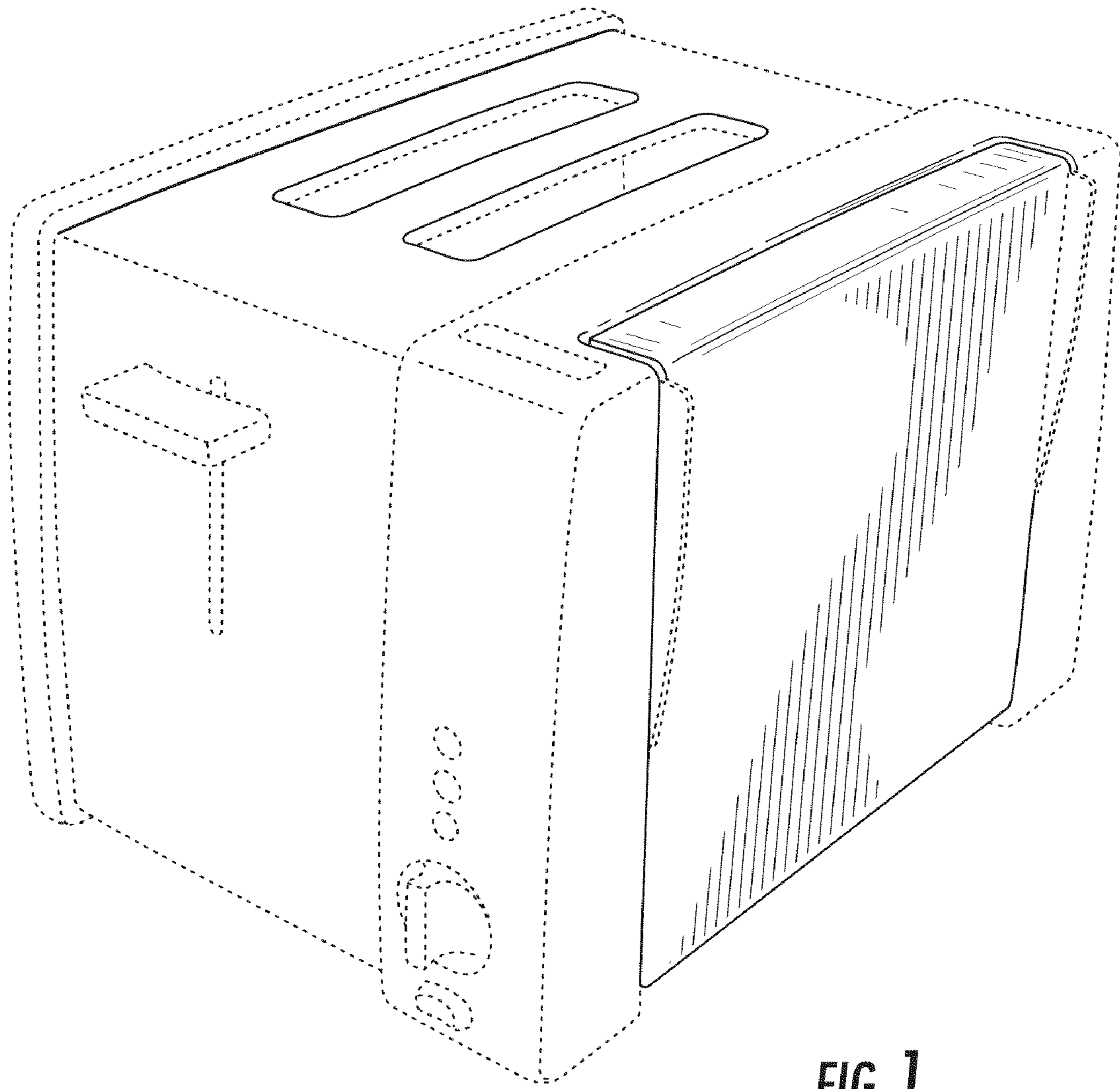


FIG. 1

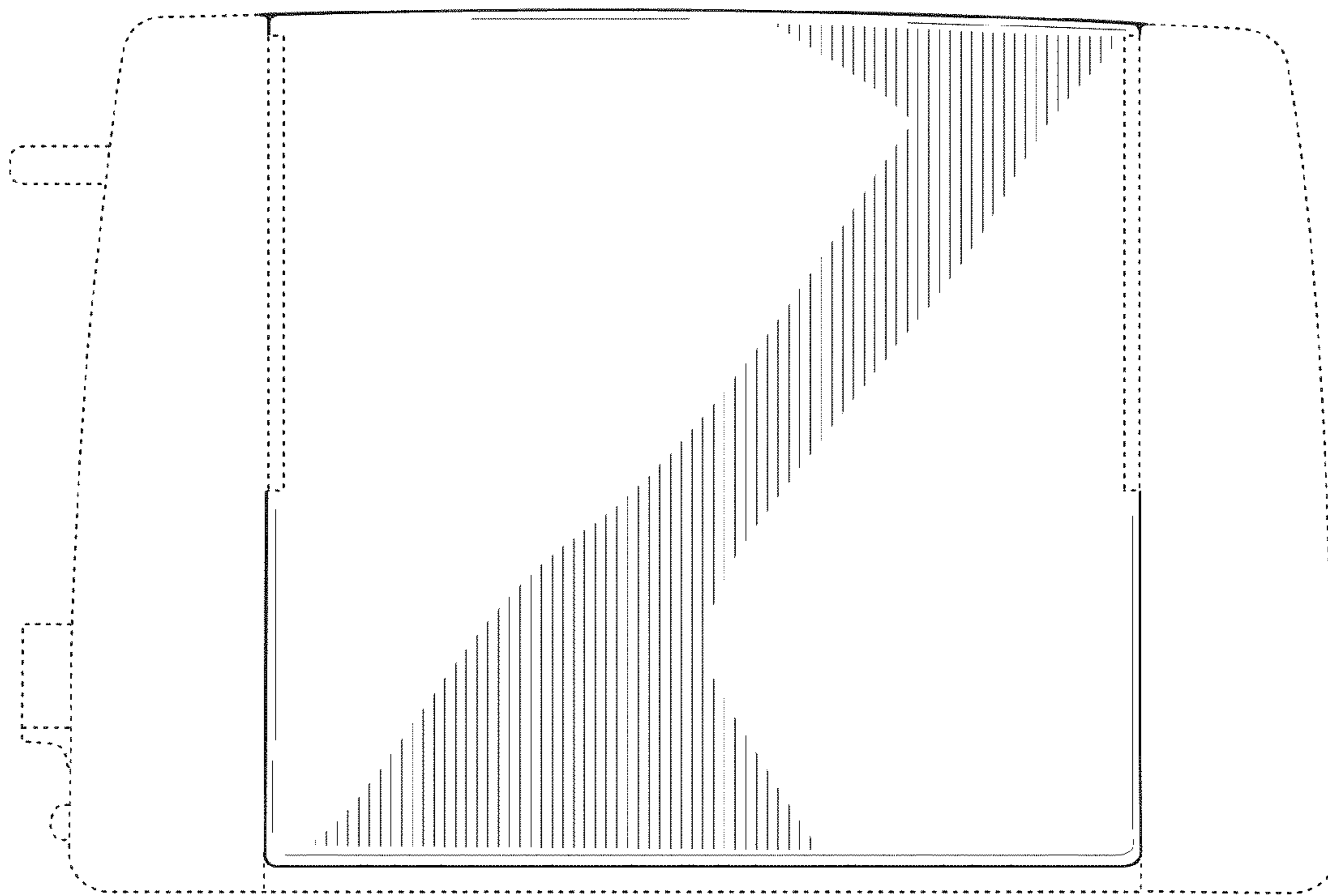


FIG. 2

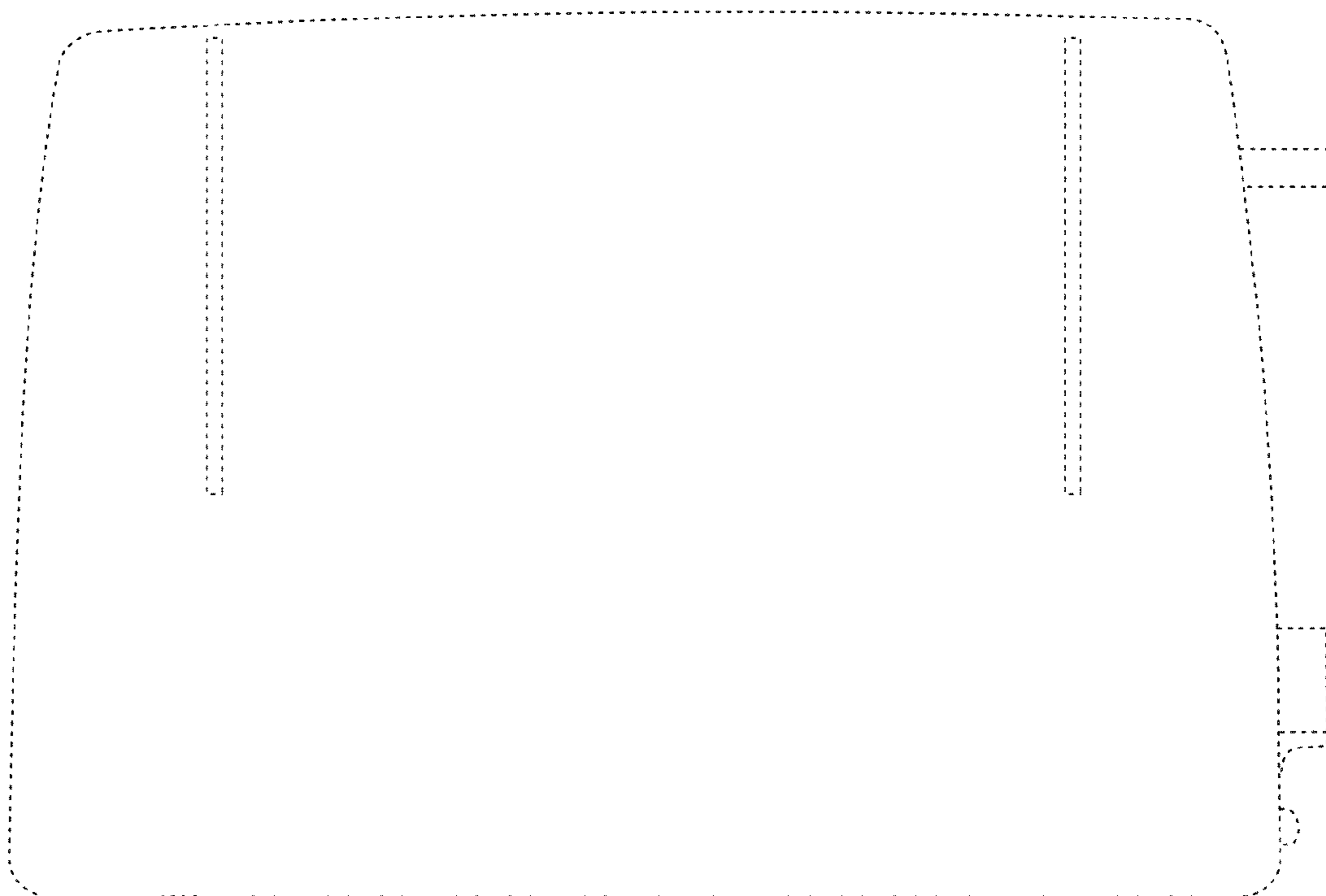


FIG. 3

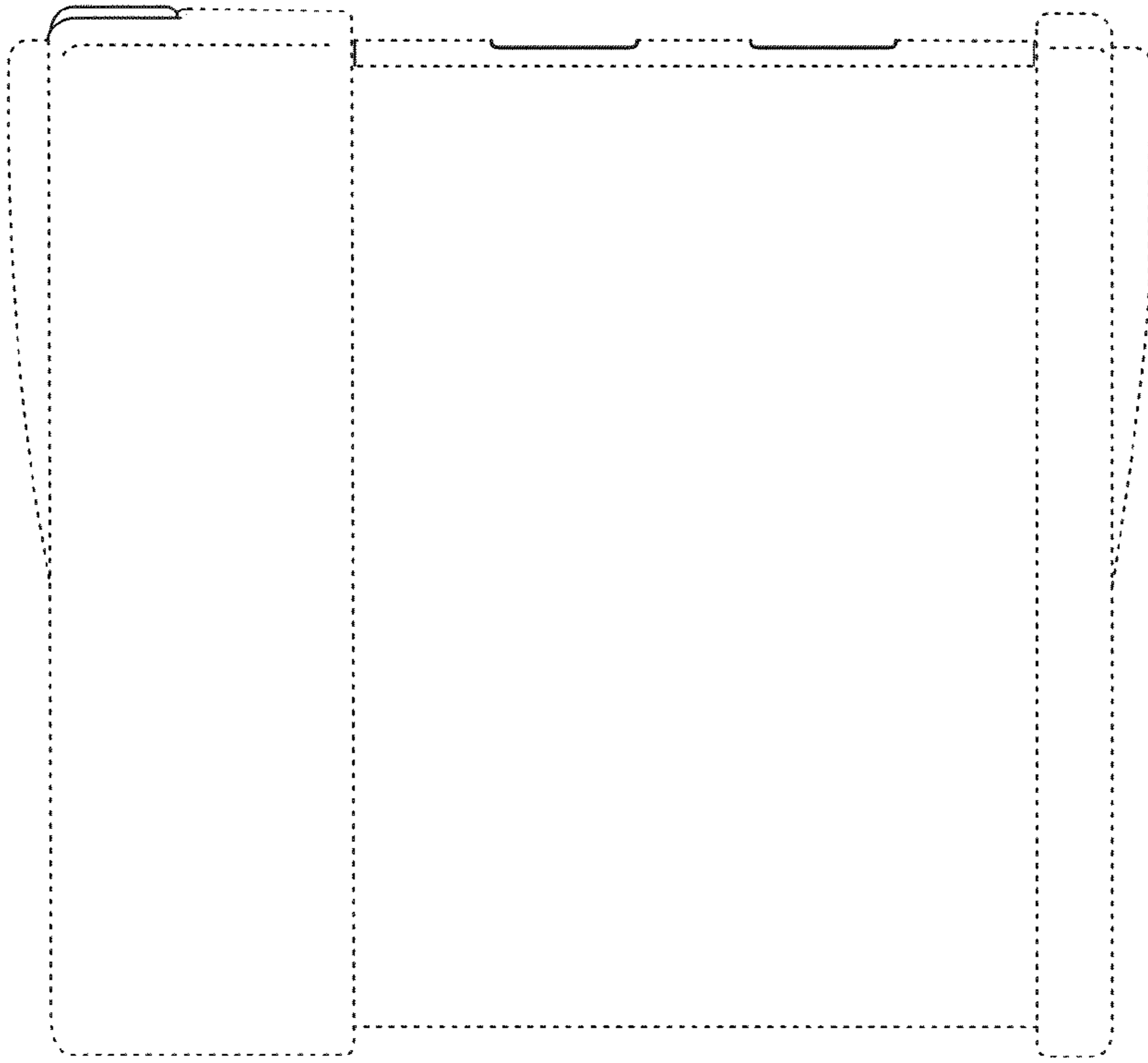


FIG. 4

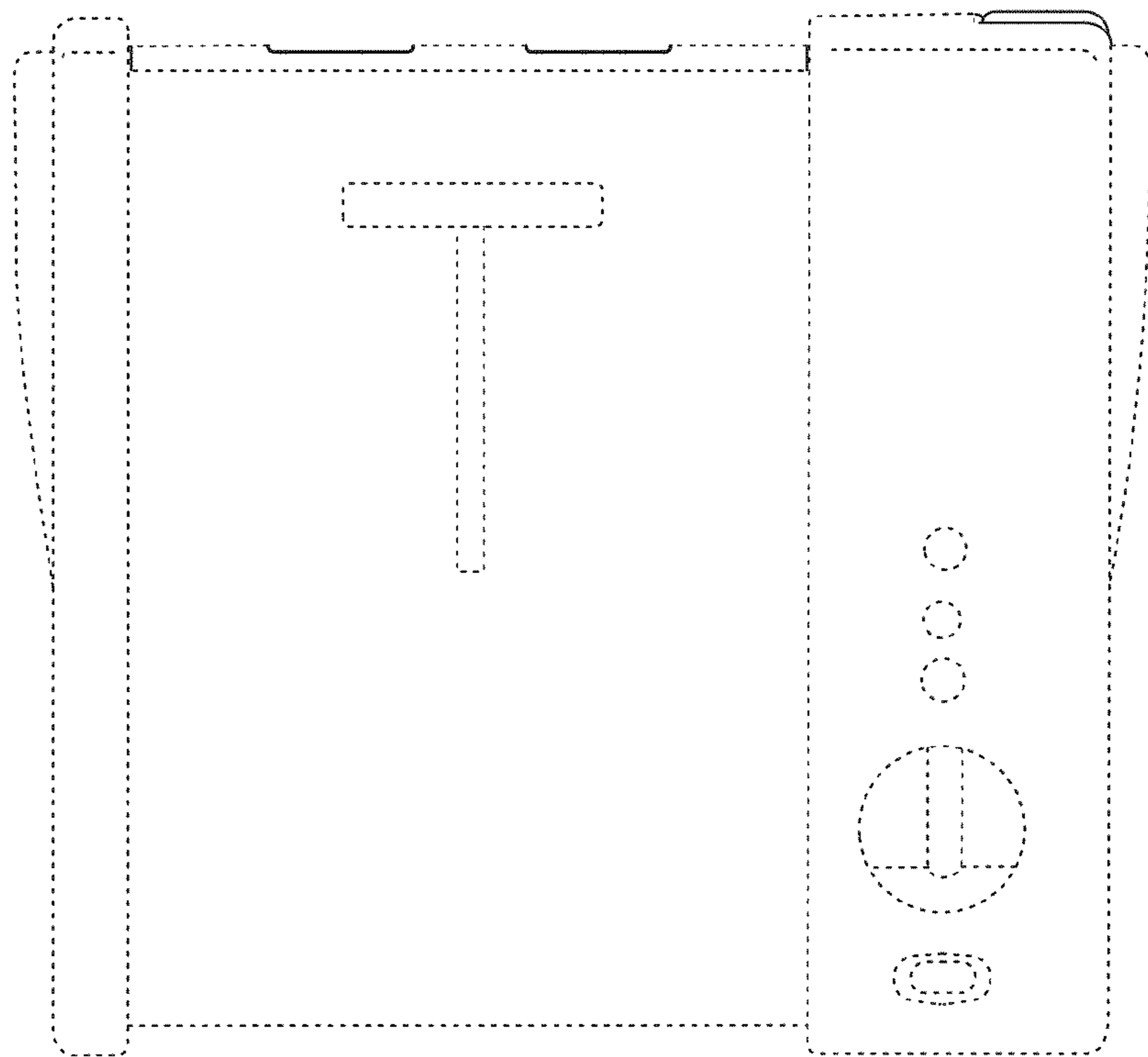


FIG. 5

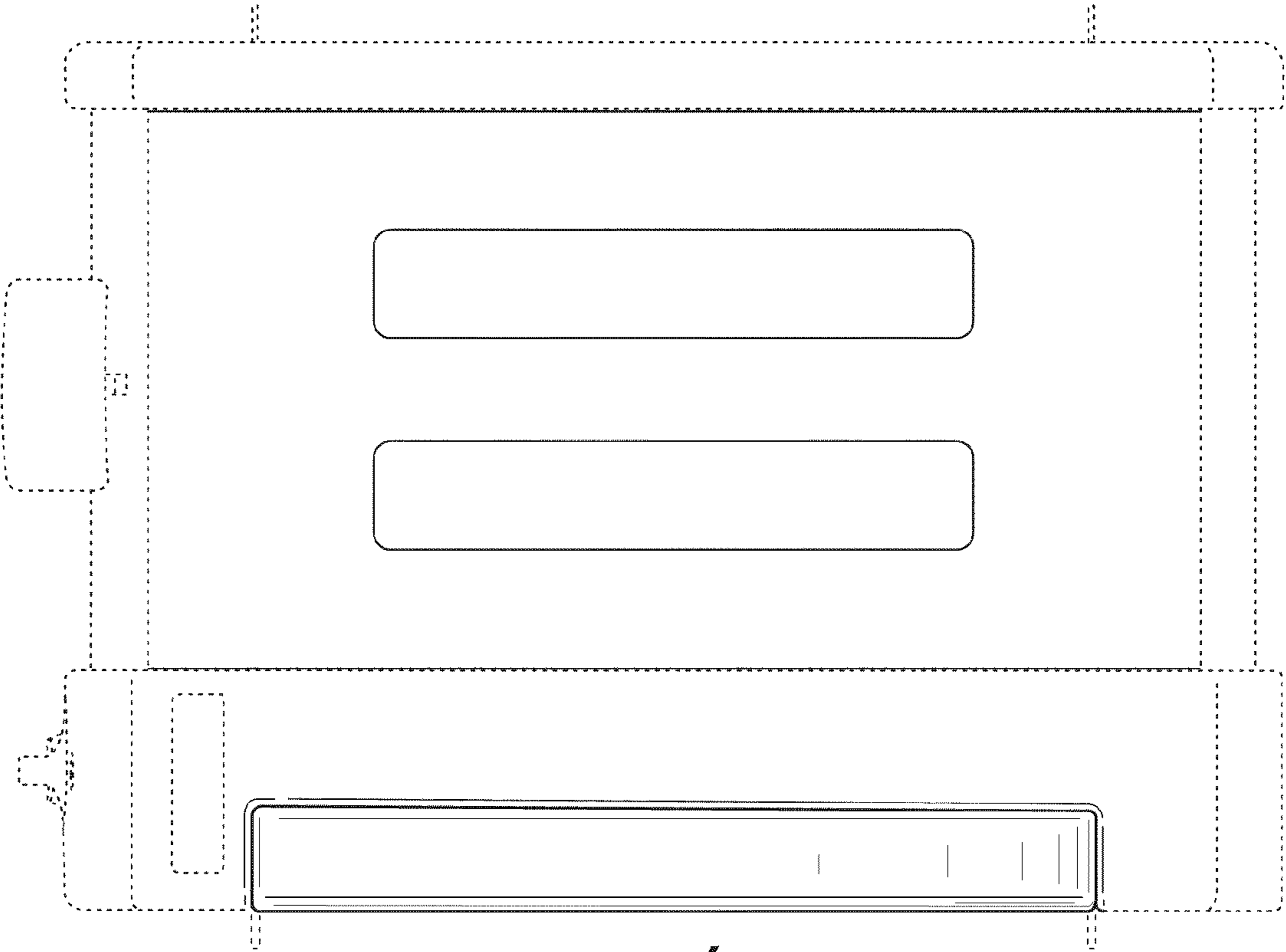


FIG. 6

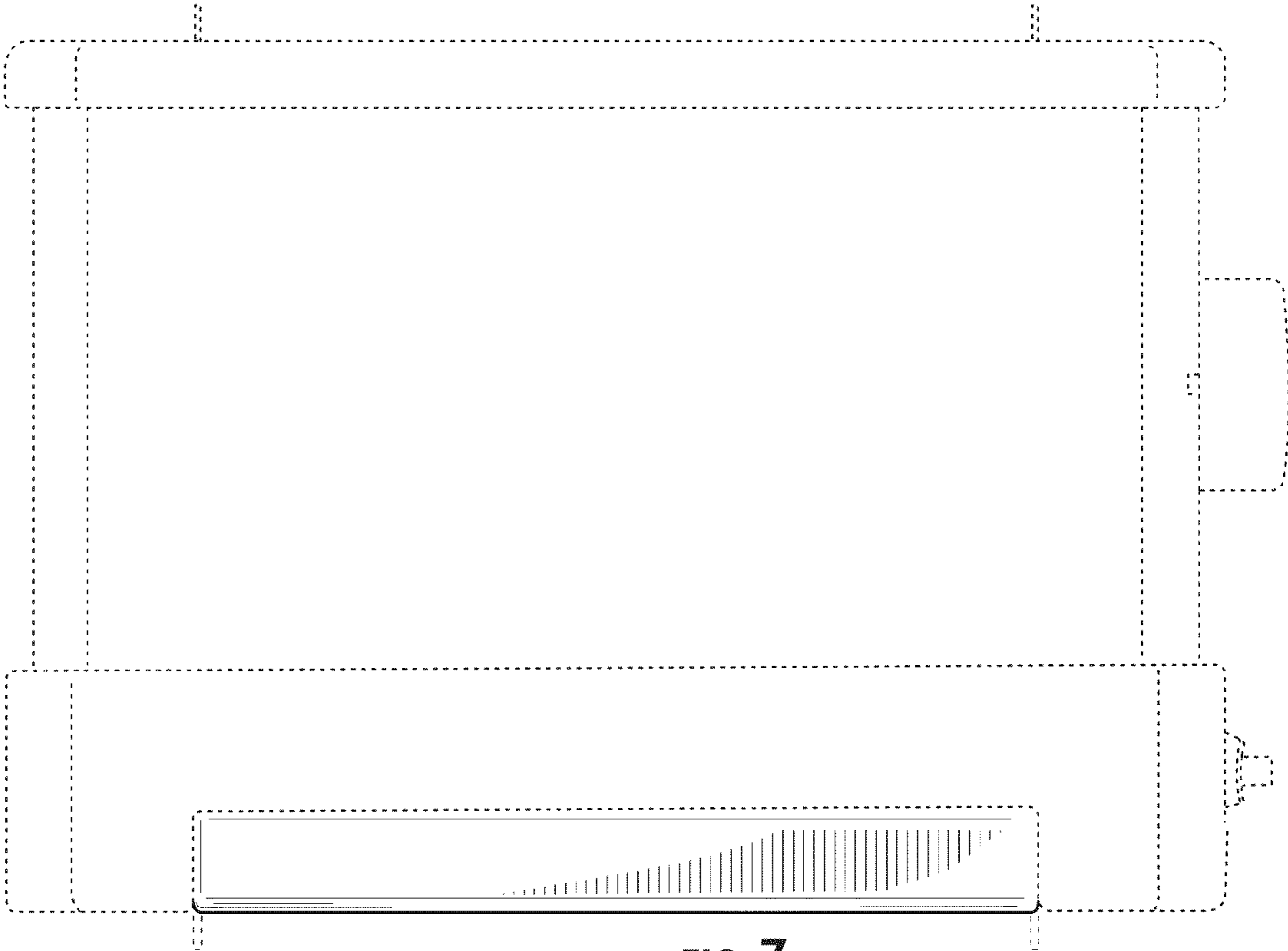


FIG. 7

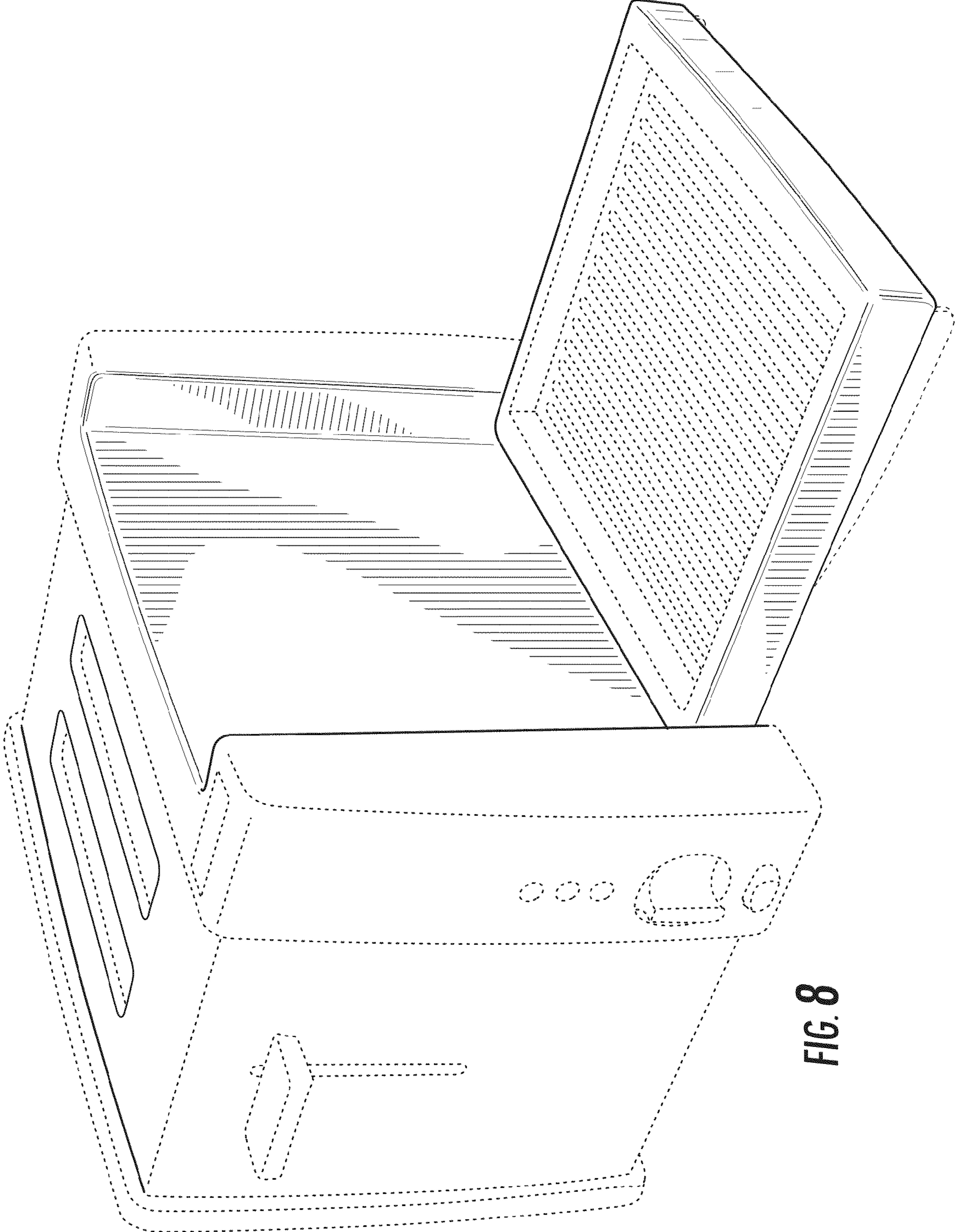


FIG. 8

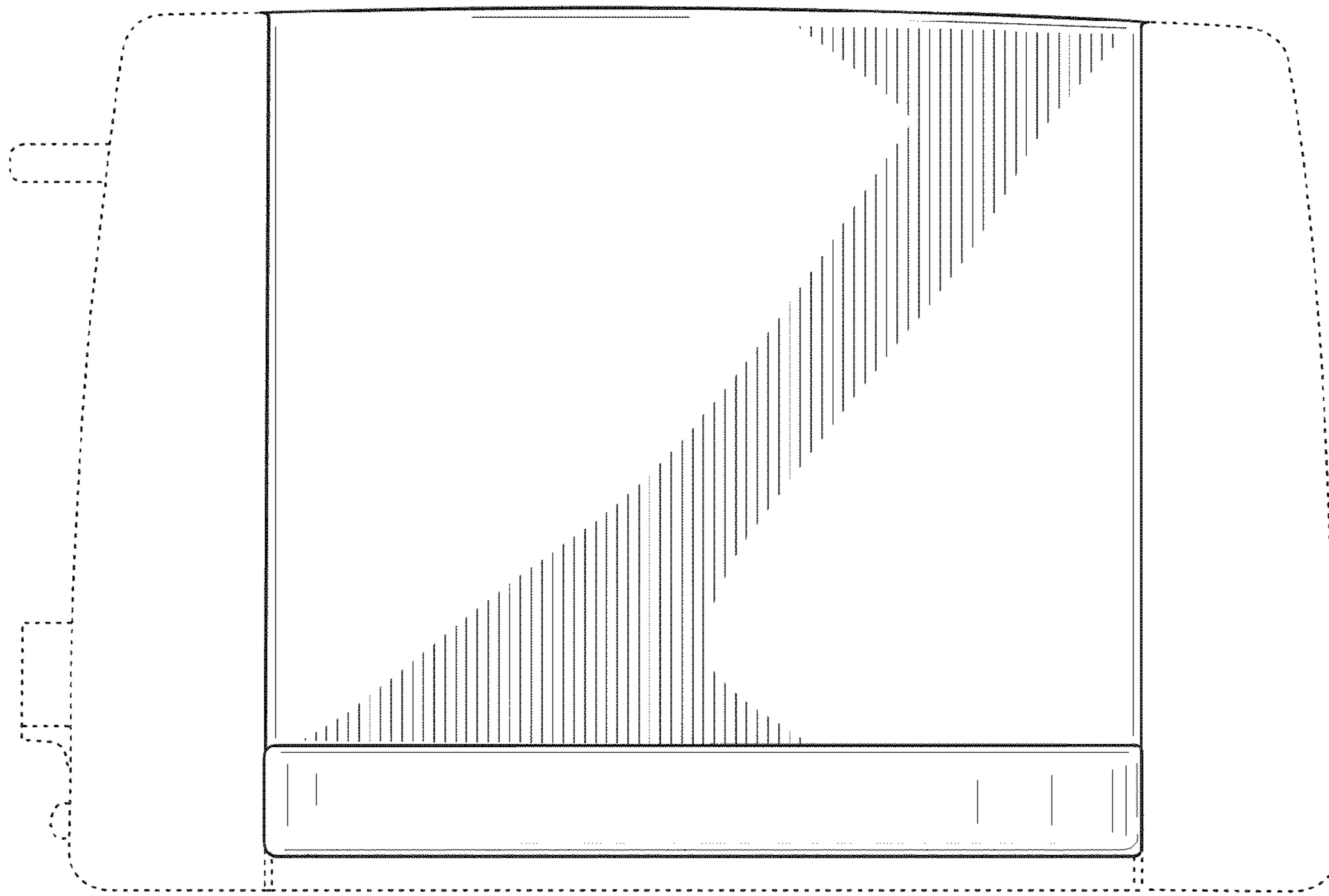


FIG. 9

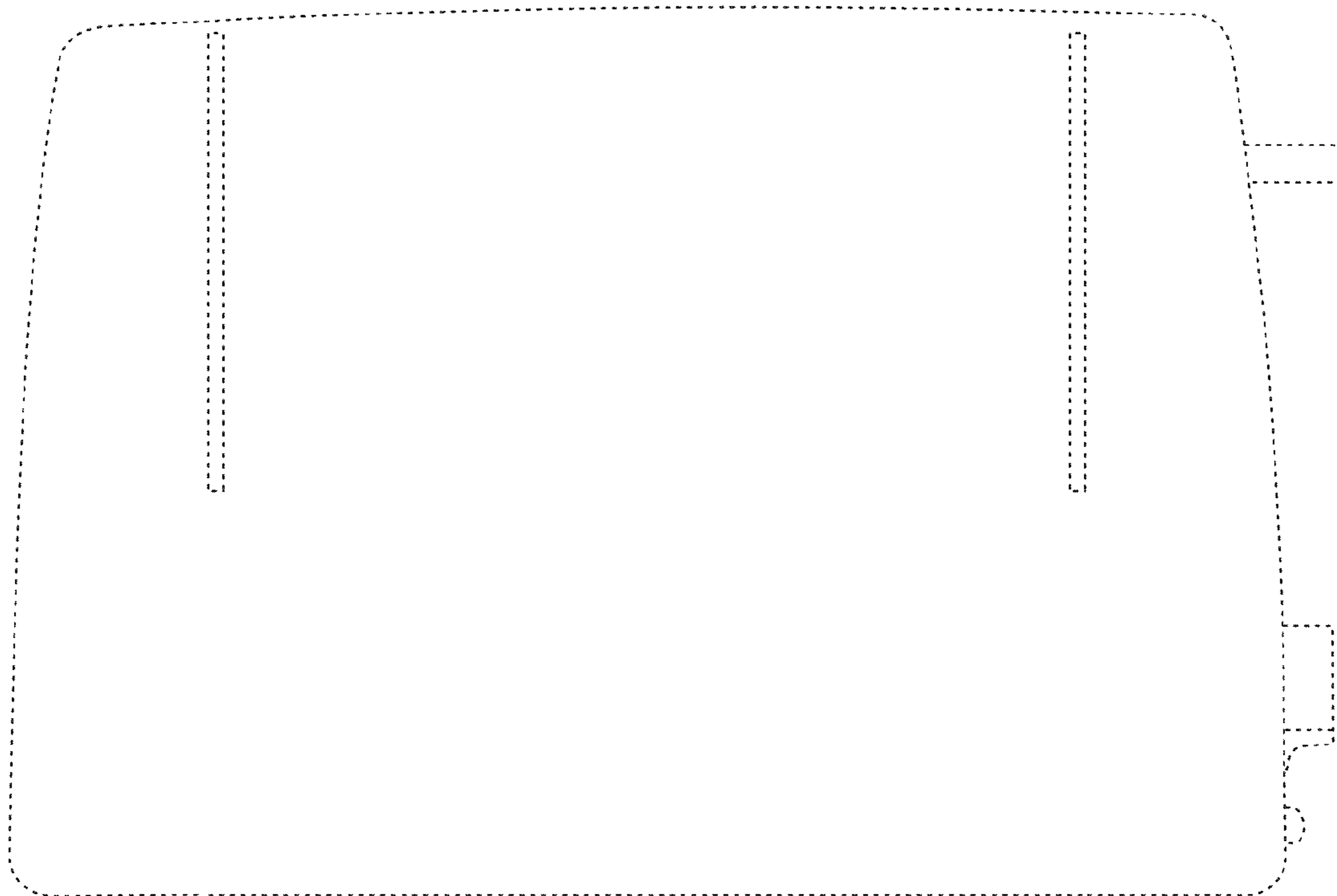


FIG. 10

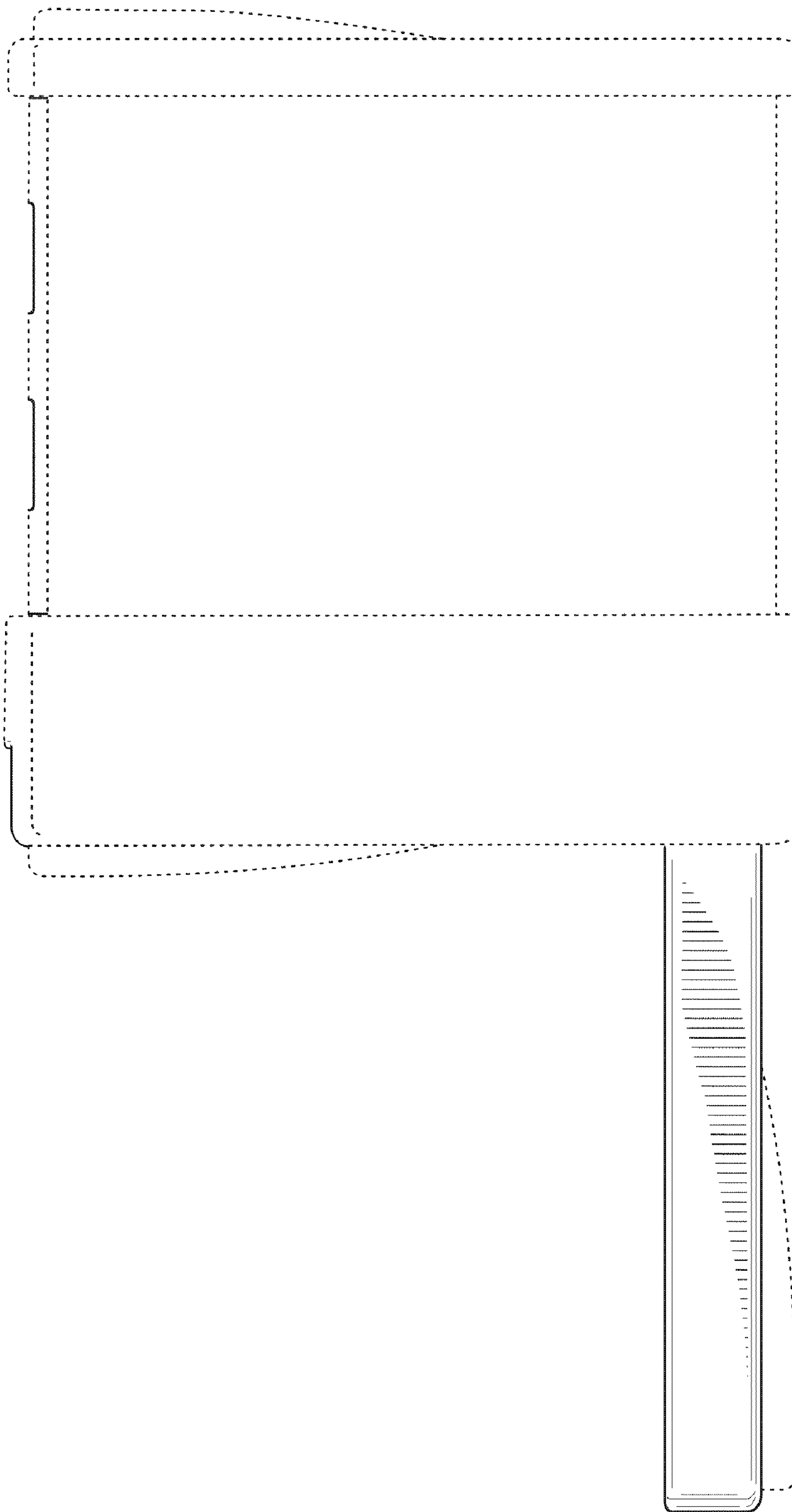


FIG. 17

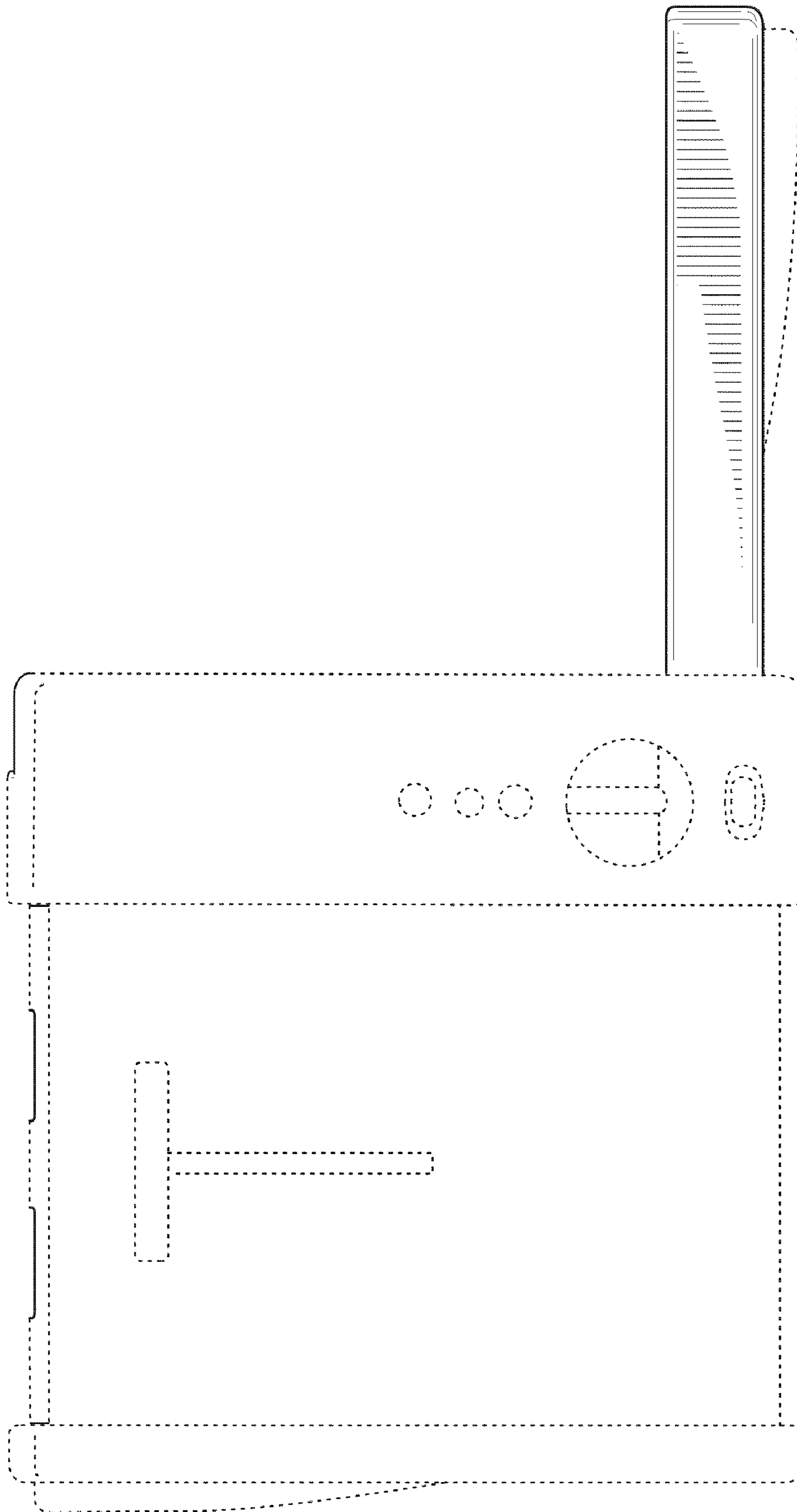


FIG. 12

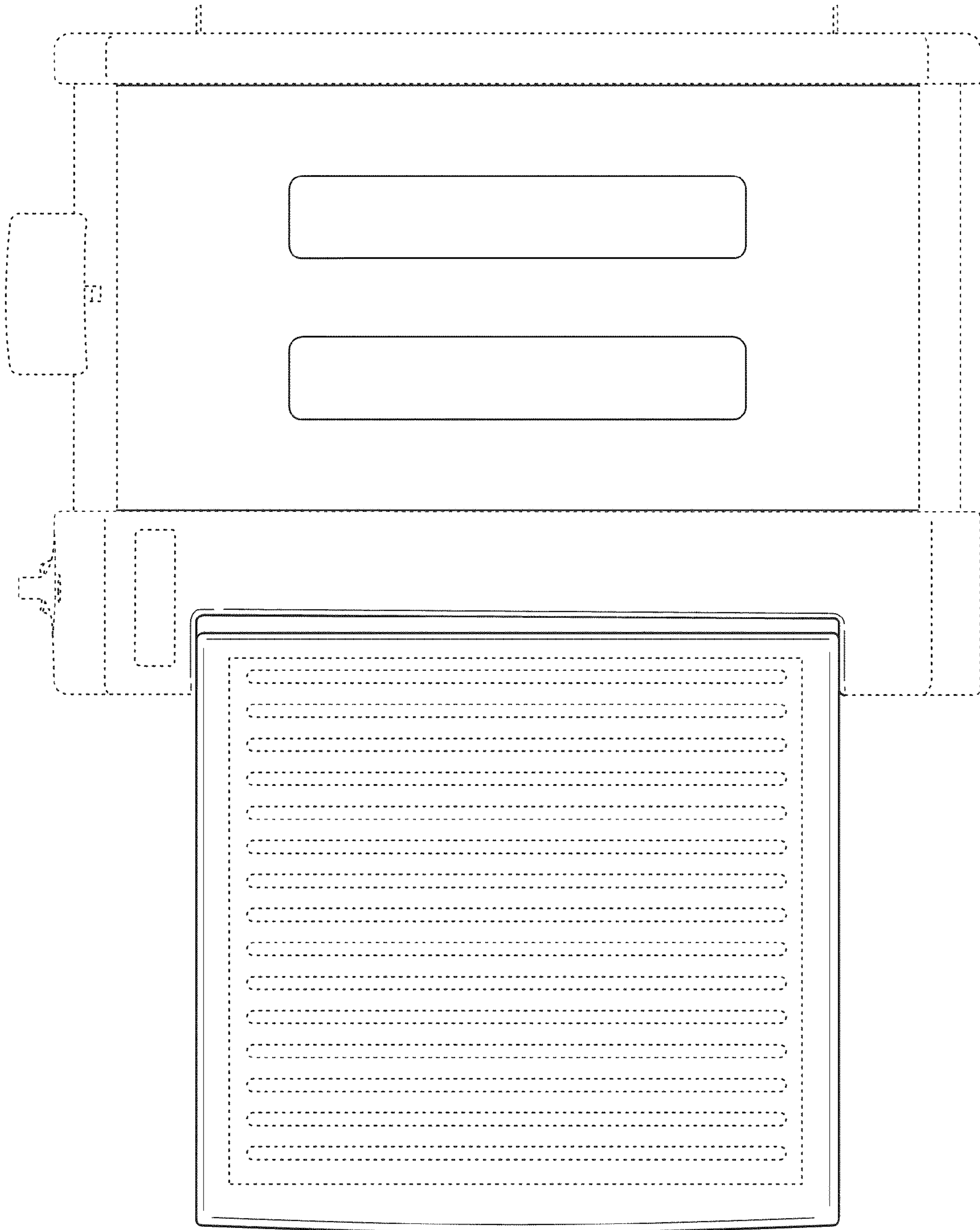


FIG. 13

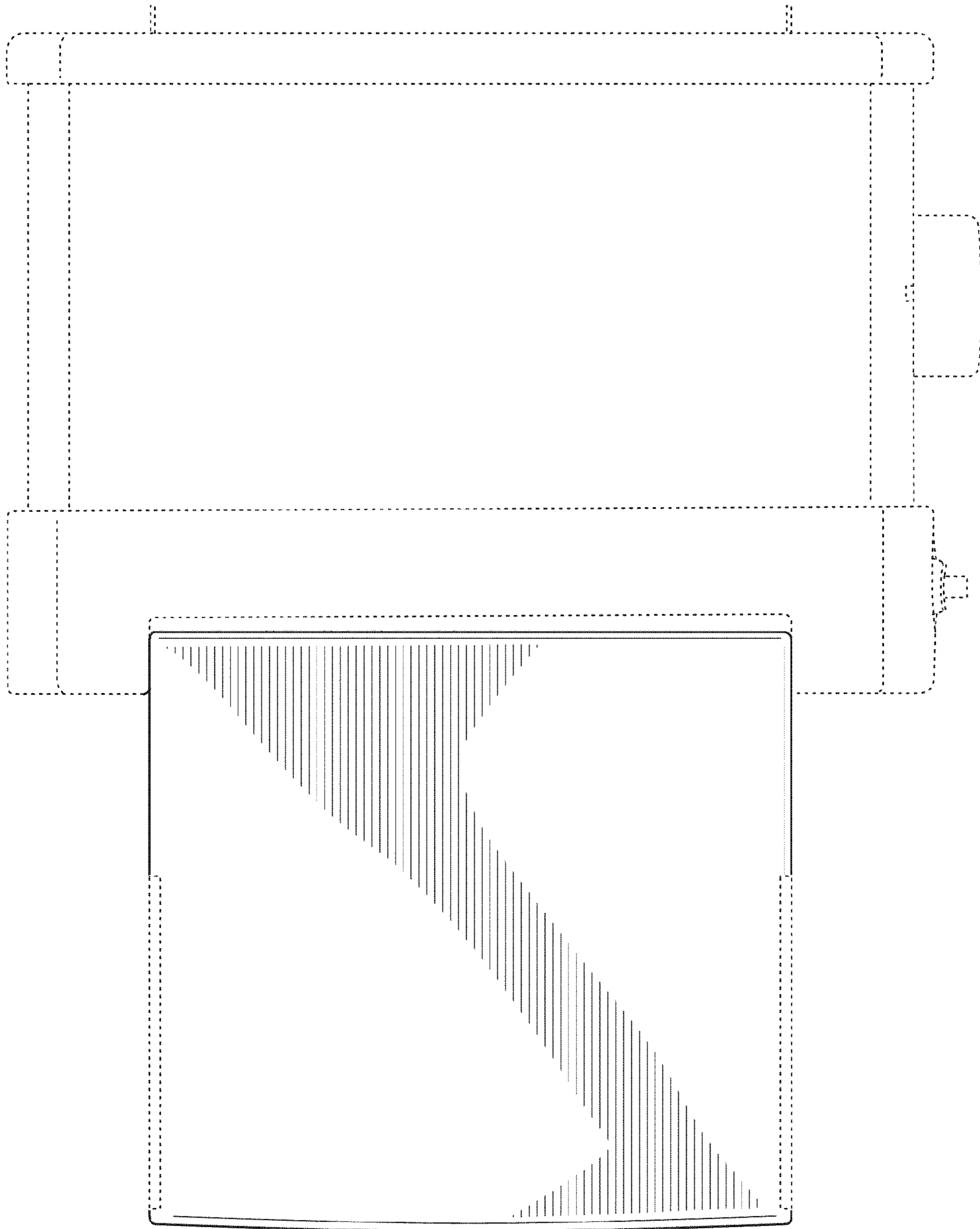


FIG. 14