



US00D642849S

(12) **United States Design Patent**
Wang

(10) **Patent No.:** **US D642,849 S**

(45) **Date of Patent:** **** Aug. 9, 2011**

- (54) **WATER COOLER**
- (75) Inventor: **Chun Yen Wang**, El Paso, TX (US)
- (73) Assignee: **MTN Products, Inc**, La Verne, CA (US)
- (**) Term: **14 Years**
- (21) Appl. No.: **29/360,571**
- (22) Filed: **Apr. 28, 2010**
- (51) **LOC (9) Cl.** **07-01**
- (52) **U.S. Cl.** **D7/306; D7/313**
- (58) **Field of Classification Search** D7/306-308,
D7/313; 222/185.1, 146.6; 62/338
See application file for complete search history.

- 3,920,149 A 11/1975 Fortino et al.
- 3,966,093 A 6/1976 Frahm et al.
- 3,973,602 A 8/1976 Kruse
- 3,974,863 A 8/1976 Frahm et al.
- 3,993,218 A 11/1976 Reichenberger
- 4,124,146 A 11/1978 Sealfon
- 4,137,930 A 2/1979 Scholle
- 4,239,130 A 12/1980 Altadonna
- 4,244,467 A 1/1981 Cavazza
- 4,267,945 A 5/1981 Maynard
- 4,356,848 A 11/1982 Spies
- 4,421,146 A 12/1983 Bond et al.
- 4,444,340 A 4/1984 Bond et al.
- 4,445,551 A 5/1984 Bond et al.

(Continued)

OTHER PUBLICATIONS

Ebac Eddy Water Cooler for the Home: Discount Store UK; Ebac Eddy is a Refreshing New Way to Enjoy a Healthy Lifestyle; http://www.freenet.ltd.uk/ebac_eddy.asp.

(Continued)

(56) **References Cited**

U.S. PATENT DOCUMENTS

- 1,241,352 A 1/1917 Doering et al.
- 1,248,705 A 12/1917 Pogue
- 1,319,376 A 10/1919 Cooper
- 1,337,206 A 4/1920 Doering et al.
- 1,960,604 A 5/1933 Van Fleet
- 1,933,192 A 10/1933 Taylor
- 1,948,644 A 2/1934 Blood et al.
- 1,976,007 A 10/1934 Cullen et al.
- 2,057,238 A 10/1936 Krug
- 2,072,629 A 3/1937 Fernholz
- 2,689,669 A 9/1954 Ericson
- 2,811,272 A 10/1957 Lawlor
- 3,033,247 A 5/1962 Beall, Jr.
- 3,193,143 A 7/1965 Maieli
- 3,207,190 A 9/1965 Silbereis et al.
- 3,341,073 A 9/1967 Arps et al.
- 3,540,402 A 11/1970 Kocher
- 3,606,096 A 9/1971 Campbell
- 3,768,501 A 10/1973 Elson et al.
- 3,774,658 A 11/1973 Abramoska, Jr.
- 3,802,606 A 4/1974 Gust
- 3,843,021 A 10/1974 Schieser
- 3,892,235 A 7/1975 Van Amerongen et al.
- 3,893,599 A 7/1975 Birell

Primary Examiner — Marianne Pandozzi

(74) *Attorney, Agent, or Firm* — Michael P. Mazza, LLC

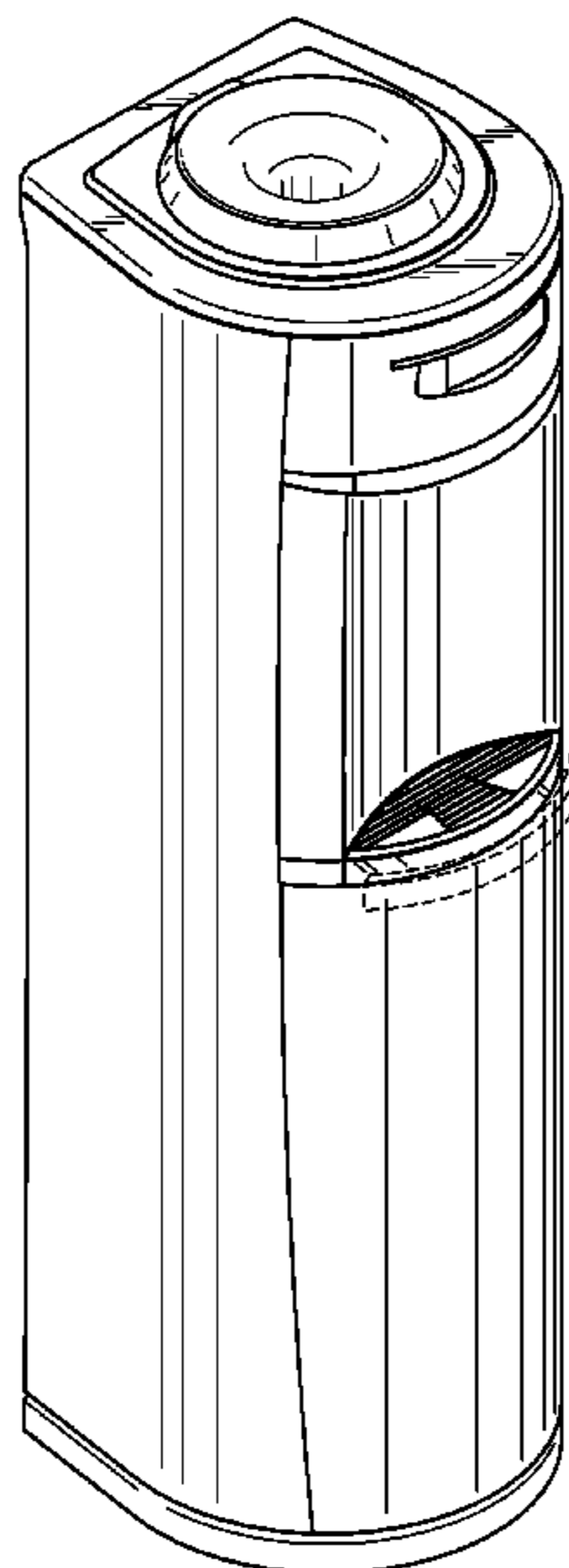
(57) **CLAIM**

The ornamental design for a water cooler, as shown and described.

DESCRIPTION

FIG. 1 is a top perspective view of a water cooler showing my new design;
FIG. 2 is a front elevational view thereof;
FIG. 3 is a side elevational view thereof;
FIG. 4 is a top plan thereof;
FIG. 5 is a bottom view thereof; and,
FIG. 6 is a rear view thereof.
The broken lines in the drawings are included for the purpose of illustration and form no part of the claimed design.

1 Claim, 5 Drawing Sheets



US D642,849 S

Page 2

U.S. PATENT DOCUMENTS

4,597,423	A	7/1986	Chenot	
4,699,188	A	10/1987	Baker et al.	
4,711,380	A	12/1987	Ulm	
4,717,051	A	1/1988	Leclerc	
4,722,463	A	2/1988	Anderson	
4,779,426	A *	10/1988	Desrosiers	62/390
4,793,514	A	12/1988	Sheets	
4,834,267	A	5/1989	Schroer et al.	
4,846,236	A	7/1989	Deruntz	
4,874,023	A	10/1989	Ulm	
4,898,308	A	2/1990	Rudick	
4,902,320	A	2/1990	Schroer	
4,972,976	A	11/1990	Romero	
4,991,635	A	2/1991	Ulm	
5,031,676	A	7/1991	Ulm	
5,121,778	A	6/1992	Baker et al.	
5,133,482	A	7/1992	Burrows et al.	
5,213,309	A	5/1993	Makishima	
5,222,530	A	6/1993	Baker et al.	
5,222,531	A	6/1993	Baker et al.	
5,232,125	A	8/1993	Adams	
5,259,534	A	11/1993	Lynd	
5,273,083	A	12/1993	Burrows	
5,289,854	A	3/1994	Baker et al.	
5,289,855	A	3/1994	Baker et al.	
5,295,518	A	3/1994	Baker et al.	
5,295,519	A	3/1994	Baker et al.	
5,337,922	A	8/1994	Salkeld et al.	
D350,453	S *	9/1994	Chaney	D7/306
5,379,814	A	1/1995	Posly	
5,395,590	A	3/1995	Swaniger	
5,413,152	A	5/1995	Burrows	
5,431,205	A	7/1995	Gebhard	
5,454,409	A	10/1995	McAffer et al.	
5,464,127	A	11/1995	Burrows	
5,526,961	A	6/1996	Burrows	

5,533,651	A	7/1996	Eddy et al.	
5,573,142	A	11/1996	Morellato et al.	
5,647,416	A	7/1997	Desrosiers et al.	
5,653,270	A	8/1997	Burrows	
5,676,278	A	10/1997	Beyer et al.	
5,711,380	A	1/1998	Chen	
D394,185	S *	5/1998	Eddy et al.	D7/392
D399,088	S *	10/1998	Chaney	D7/307
5,927,557	A *	7/1999	Busick et al.	222/185.1
5,957,316	A	9/1999	Hidding et al.	
6,029,860	A	2/2000	Donselman	
6,167,921	B1	1/2001	Busick et al.	
6,352,183	B1	3/2002	Kristiansen et al.	
D456,663	S *	5/2002	Chew	D7/306
6,648,180	B2 *	11/2003	Moon et al.	222/185.1
D498,969	S *	11/2004	Nicol	D7/306
6,834,691	B2	12/2004	Goldin	
6,843,634	B2	1/2005	Goldin	
7,210,891	B2	5/2007	Goldin	
D571,141	S *	6/2008	Roosmalen et al.	D7/307
D580,207	S *	11/2008	Moon et al.	D7/307
D582,194	S *	12/2008	Wang	D7/313
D600,060	S *	9/2009	Fletcher et al.	D7/306
D623,885	S *	9/2010	Wang	D7/306

OTHER PUBLICATIONS

Watercoolers—Ebac Limited—Group Website. Manufacturer of dehumidifiers and water . . .; Ebac Group; Watercoolers; <http://www.ebacgroup.com/?p.=21>.

Latest News—Ebac Limited—Group Website. Manufacturer of dehumidifiers and water . . .; Ebac Group; Latest News; Ebac enters point of use market; <http://www.ebacgroup.com/?page=36&art=22>. http://henry-design.com/temp/mtn0503/060406_home_spring_photos/index.html.

* cited by examiner

Fig. 1

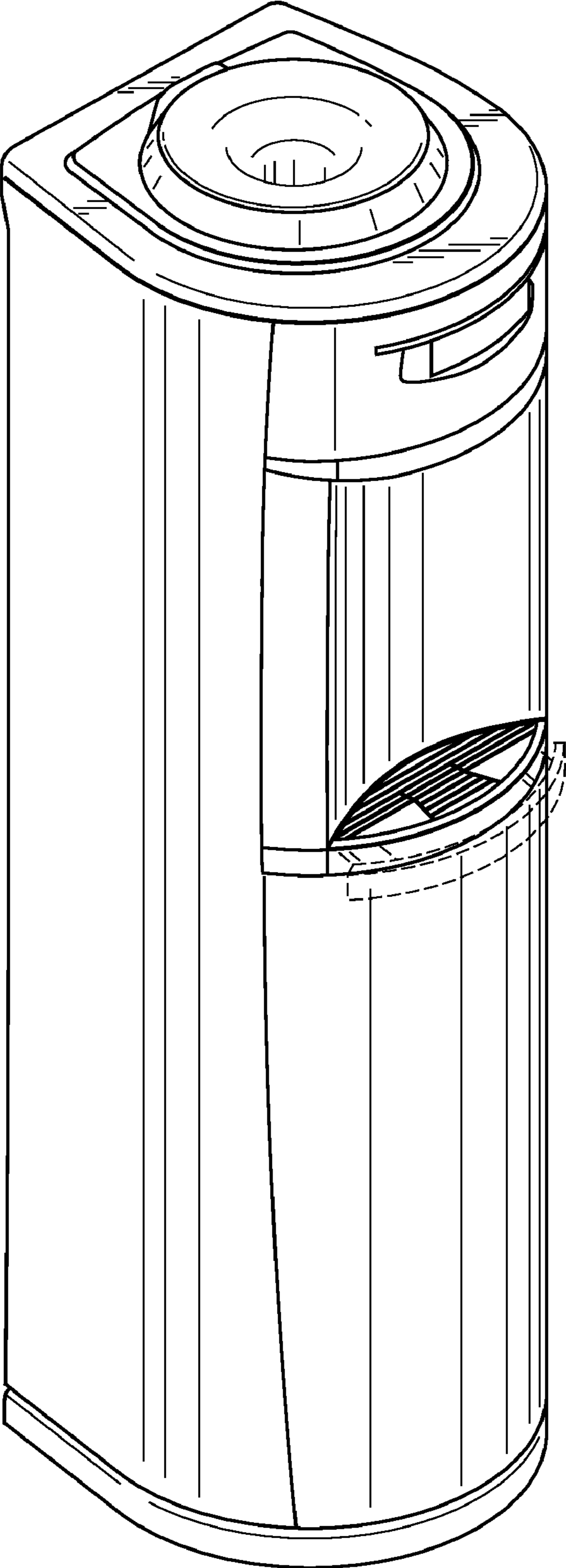


Fig. 2

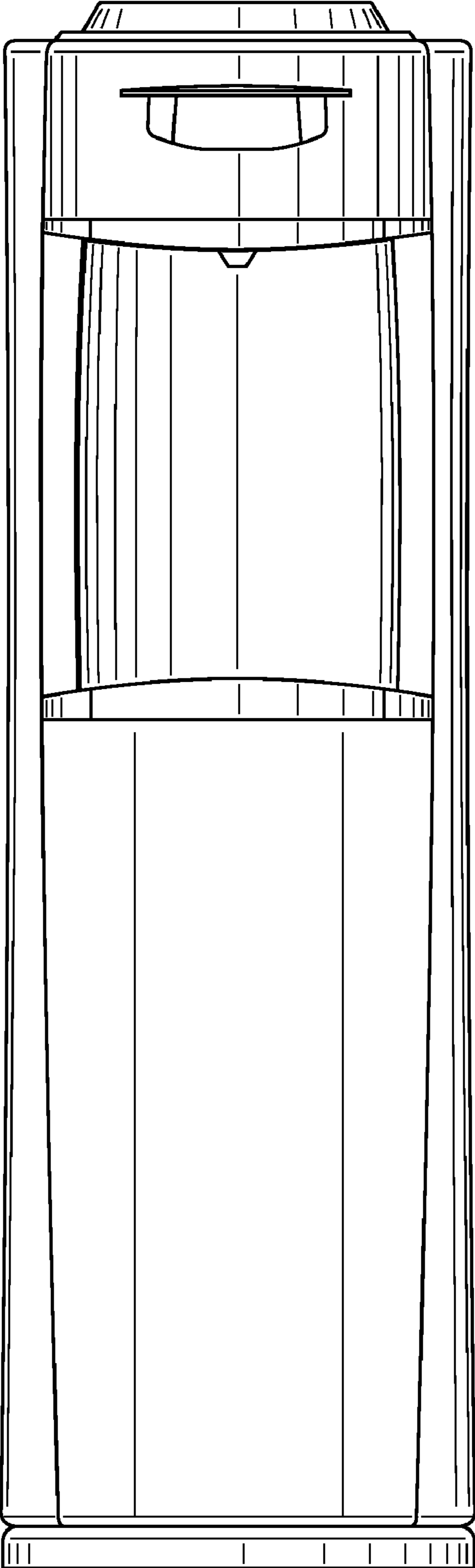


Fig. 3

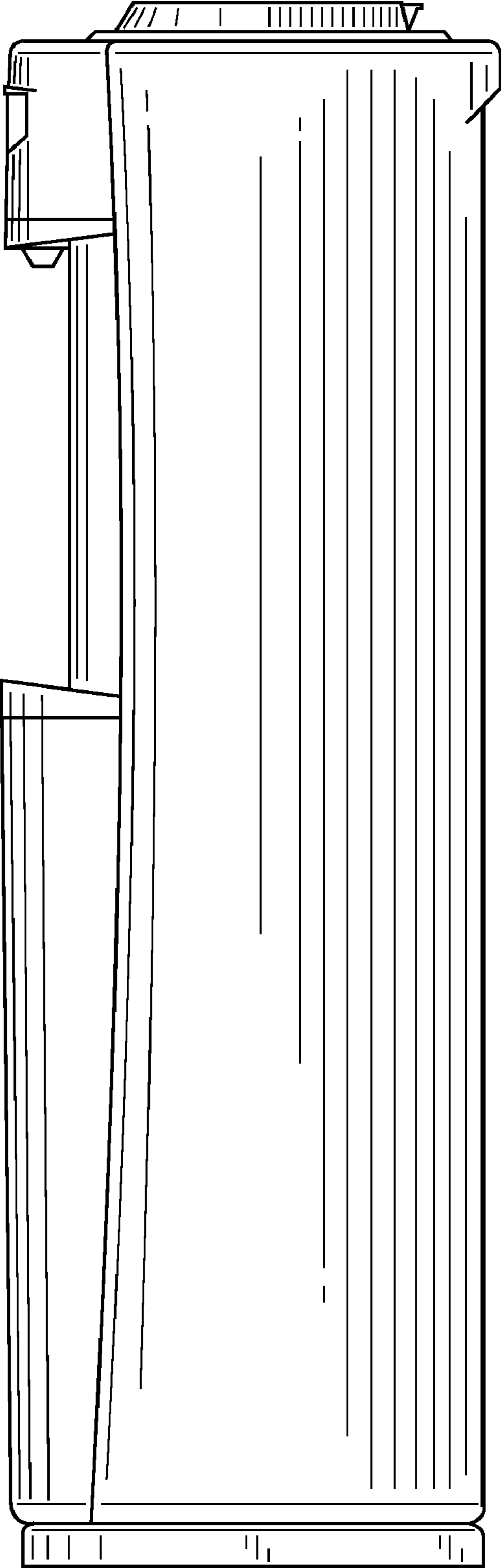


Fig. 4

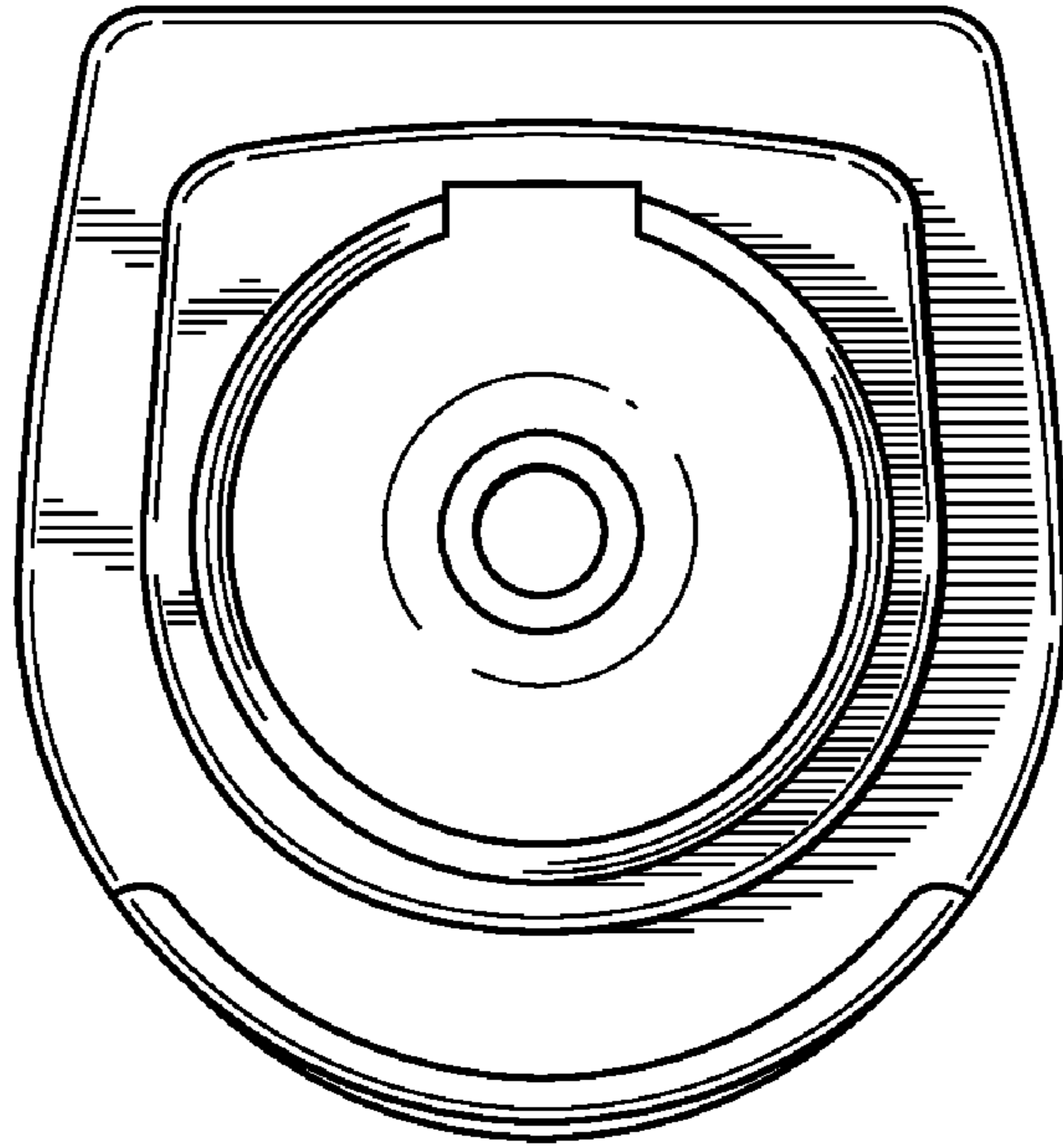


Fig. 5

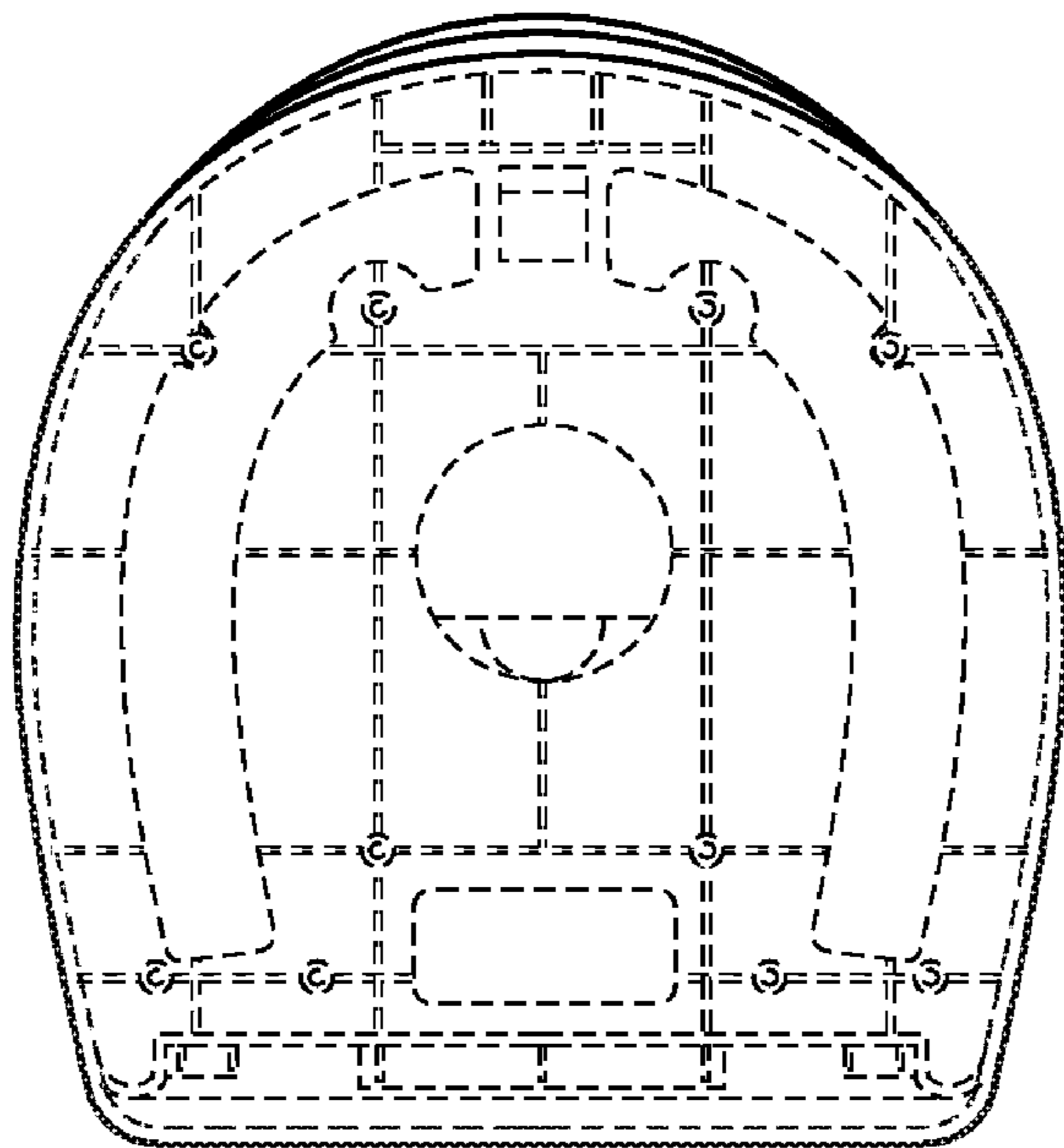


Fig. 6

