



US00D642845S

(12) **United States Design Patent**  
**Farley**

(10) **Patent No.:** **US D642,845 S**

(45) **Date of Patent:** **\*\* Aug. 9, 2011**

(54) **SLEEP SURFACE**

(75) Inventor: **David Farley**, Corona, CA (US)

(73) Assignee: **FXI, Inc.**, Media, PA (US)

(\*\*) Term: **14 Years**

(21) Appl. No.: **29/365,041**

(22) Filed: **Jul. 1, 2010**

(51) **LOC (9) Cl.** ..... **06-09**

(52) **U.S. Cl.** ..... **D6/596**

(58) **Field of Classification Search** ..... D6/595-606,  
D6/382, 392, 582; 5/420, 652, 655.9, 690,  
5/691, 696, 703, 704, 706, 707, 709, 716,  
5/717, 736, 737, 738, 739, 740, 722, 901,  
5/922

See application file for complete search history.

D275,624 S *	9/1984	Falk et al.	.....	D3/274
4,504,990 A	3/1985	Scales et al.		
4,601,076 A *	7/1986	Knobloch	.....	5/413 R
4,905,990 A	3/1990	DeSantis		
4,980,936 A	1/1991	Frickland et al.		
5,022,111 A	6/1991	Fenner, Sr.		
5,099,530 A	3/1992	Scott		
5,110,219 A	5/1992	Lopes		
5,203,041 A *	4/1993	Alonso	.....	5/420
5,210,891 A	5/1993	Avital et al.		
5,291,625 A *	3/1994	Leslie	.....	5/420
D376,287 S	12/1996	Bennett		
5,720,057 A *	2/1998	Duncan	.....	5/420
D436,281 S *	1/2001	Thompson	.....	D6/596
6,286,167 B1 *	9/2001	Stolpmann	.....	5/737
6,430,766 B1 *	8/2002	Henley et al.	.....	5/722
6,578,220 B1 *	6/2003	Smith	.....	5/740
6,651,277 B1 *	11/2003	Marson	.....	5/420
6,684,434 B2 *	2/2004	Ellis et al.	.....	5/713
6,694,556 B2 *	2/2004	Stolpmann	.....	5/710
6,751,816 B1 *	6/2004	Wechsler	.....	5/417
7,007,322 B2 *	3/2006	Alane	.....	5/417

(Continued)

(56) **References Cited**

**U.S. PATENT DOCUMENTS**

65,262 A	5/1867	Ouroussoff		
2,223,568 A *	12/1940	Krasnov	.....	5/499
2,343,260 A *	3/1944	Leader et al.	.....	5/499
2,527,107 A	10/1950	Strauss		
2,543,552 A *	2/1951	Leader et al.	.....	5/499
2,639,444 A	5/1953	De Monsabert		
2,788,533 A	4/1957	Bornstein		
3,066,646 A *	12/1962	Bramley	.....	119/526
3,268,922 A	8/1966	Moxley		
3,477,552 A	11/1969	Goldman		
3,721,434 A *	3/1973	Spies	.....	5/655
3,877,092 A *	4/1975	Gaiser	.....	5/413 R
4,295,235 A	10/1981	Deitz		
4,316,298 A	2/1982	Russo et al.		
D264,165 S *	5/1982	McVeigh	.....	D6/596
4,329,747 A	5/1982	Russell		
4,336,621 A	6/1982	Schwartz et al.		
4,450,193 A	5/1984	Staebler		
4,468,810 A	8/1984	Longo		

*Primary Examiner* — Lucy Lieberman

(74) *Attorney, Agent, or Firm* — Connolly Bove Lodge & Hutz LLP

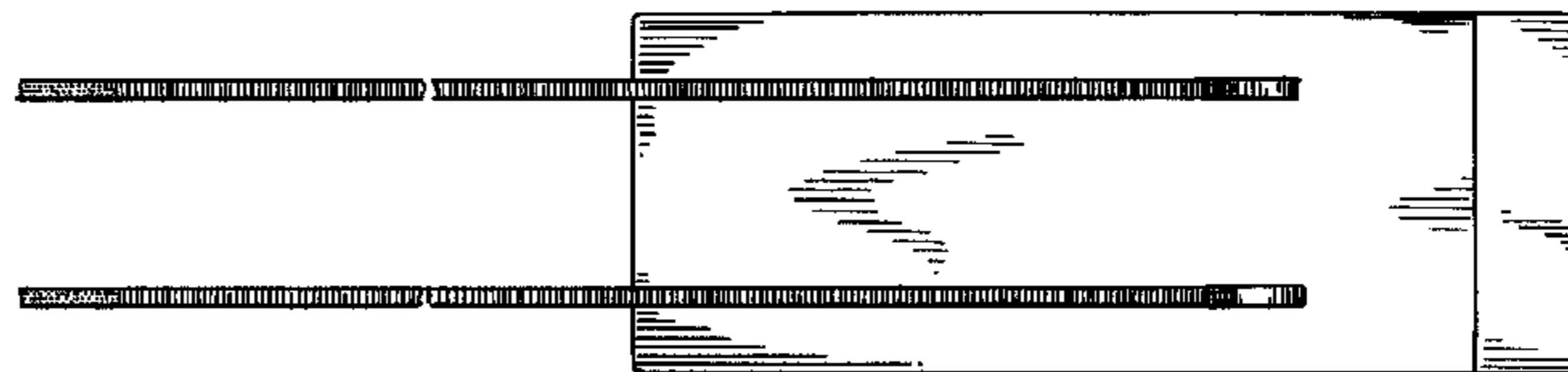
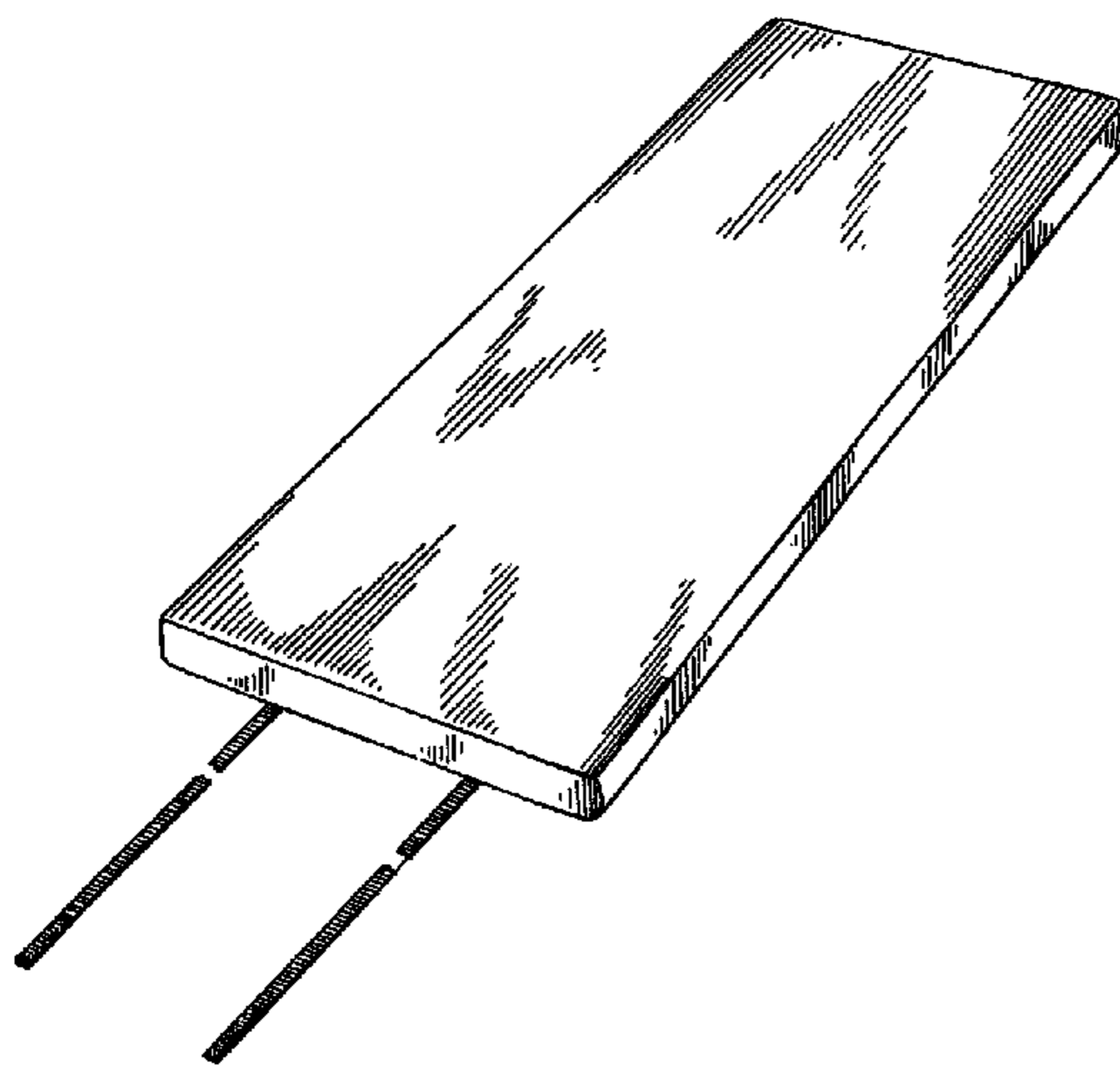
(57) **CLAIM**

The ornamental design for a sleep surface, as shown and described.

**DESCRIPTION**

FIG. 1 is a perspective view of a sleep surface showing my new design;  
FIG. 2 is an end view of FIG. 1;  
FIG. 3 is a top plan view of FIG. 1;  
FIG. 4 is a side view of the sleep surface, the opposite side is a mirror image thereto; and,  
FIG. 5 is a bottom plan view of FIG. 1.

**1 Claim, 2 Drawing Sheets**



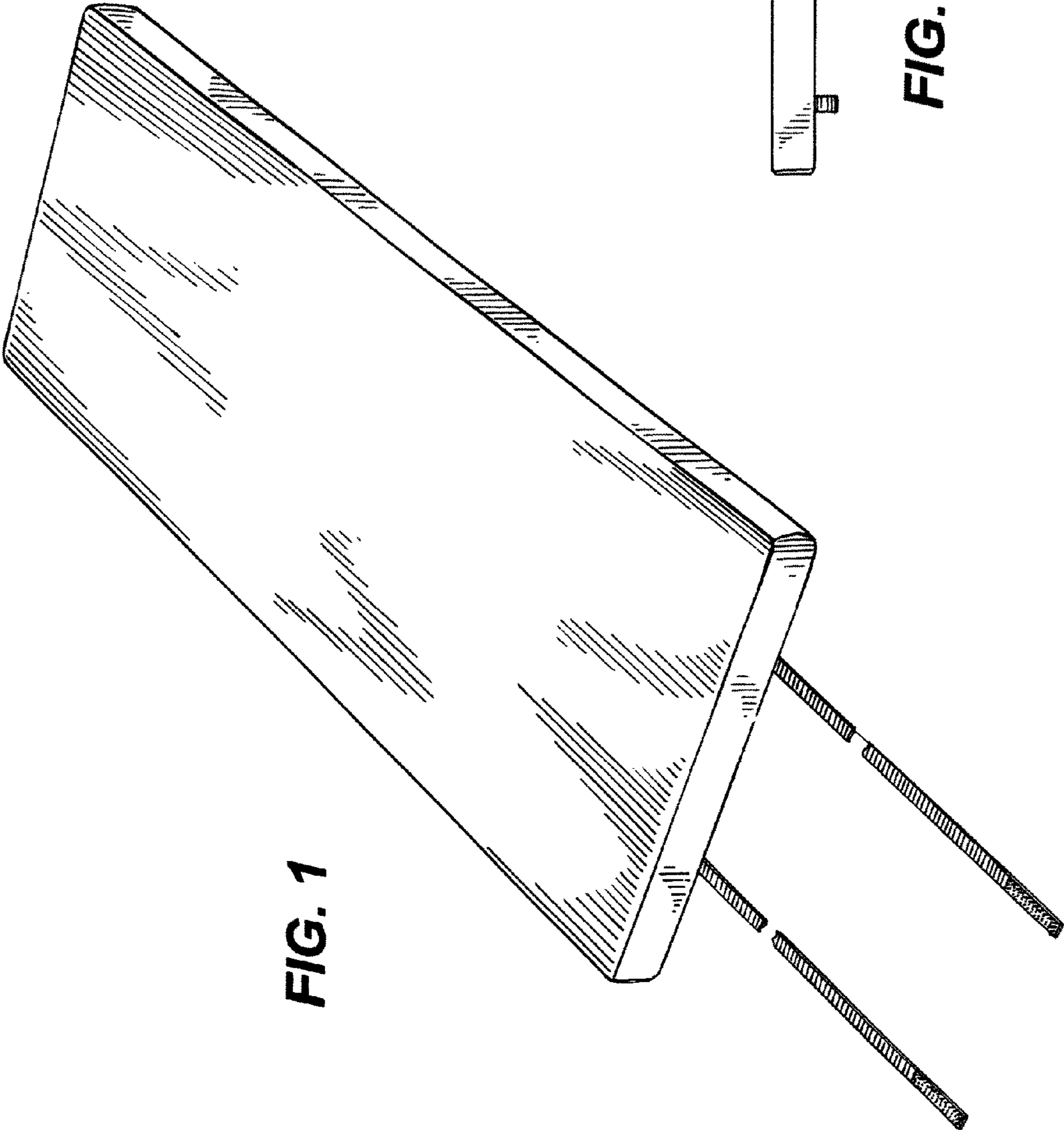
# US D642,845 S

Page 2

---

## U.S. PATENT DOCUMENTS

7,437,784 B1 *	10/2008	Turnipseed .....	5/510	D615,795 S *	5/2010	Timmany .....	D6/606
7,480,953 B2 *	1/2009	Romano et al. ....	5/714	7,789,461 B2 *	9/2010	Leeds .....	297/229
D612,187 S *	3/2010	Visco .....	D6/604	* cited by examiner			

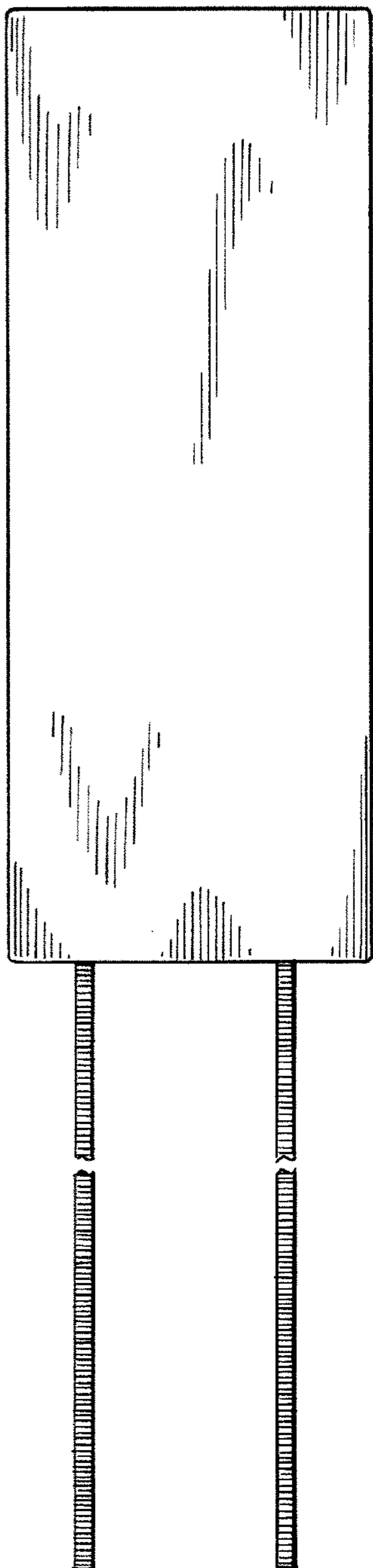


**FIG. 1**

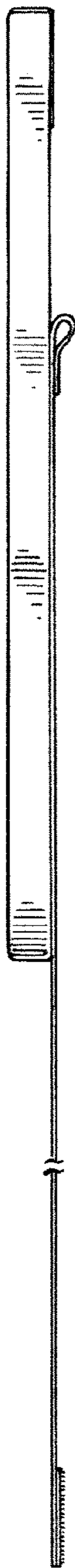


**FIG. 2**

**FIG. 3**



**FIG. 4**



**FIG. 5**

