



US00D642843S

(12) **United States Design Patent**  
**Gibbons**

(10) **Patent No.:** **US D642,843 S**

(45) **Date of Patent:** **\*\* Aug. 9, 2011**

(54) **CURTAIN**

(75) **Inventor:** **Robert W. Gibbons**, Dorval (CA)

(73) **Assignee:** **Versailles Home Fashions Inc.**, Ville D'Anjou, Quebec (CA)

(\*\*) **Term:** **14 Years**

(21) **Appl. No.:** **29/384,974**

(22) **Filed:** **Feb. 7, 2011**

(30) **Foreign Application Priority Data**

Sep. 9, 2010 (CA) ..... 137012

(51) **LOC (9) Cl.** ..... **06-10**

(52) **U.S. Cl.** ..... **D6/578**

(58) **Field of Classification Search** ..... D6/575,  
D6/578, 580, 595, 596, 597, 303, 601, 602,  
D6/608; D2/742; 5/482, 485, 493, 494,  
5/496, 497, 499, 658, 663; D19/77

See application file for complete search history.

(56) **References Cited**

**U.S. PATENT DOCUMENTS**

661,608	A	11/1900	Holtzclaw	
D50,757	S	5/1917	McMahon	
2,244,300	A	6/1941	Kwon	
2,686,564	A	8/1954	Thorp	
D289,842	S	* 5/1987	Schomaker	D6/575
D362,147	S	9/1995	Voccia	
D370,583	S	* 6/1996	Fiddler	D6/578

D373,041	S	8/1996	Michaelson	
5,738,159	A	4/1998	O'Brien	
D397,899	S	* 9/1998	Velazquez-Crespo	D6/578
D441,244	S	* 5/2001	Jerrell et al.	D6/575
D442,815	S	5/2001	Rine et al.	
D479,935	S	9/2003	Mazzarone	
D506,920	S	7/2005	Taylor	
D509,090	S	* 9/2005	Smith et al.	D6/575
D583,602	S	* 12/2008	Pannell	D6/575
D588,389	S	* 3/2009	Brown	D6/578

\* cited by examiner

*Primary Examiner* — Susan Bennett Hattan

*Assistant Examiner* — Barbara Lohr

(74) *Attorney, Agent, or Firm* — IPAXIO S.E.N.C.

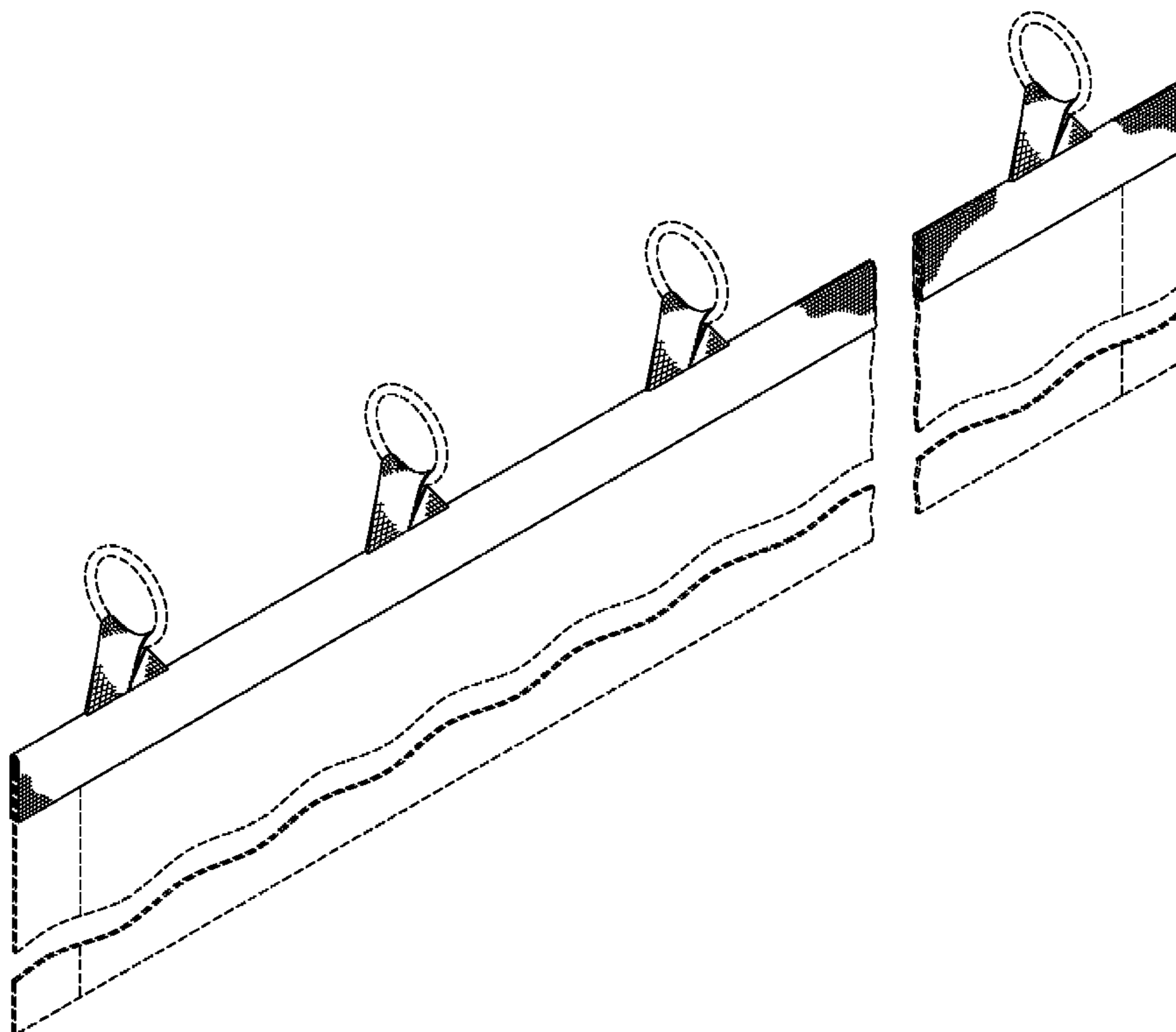
(57) **CLAIM**

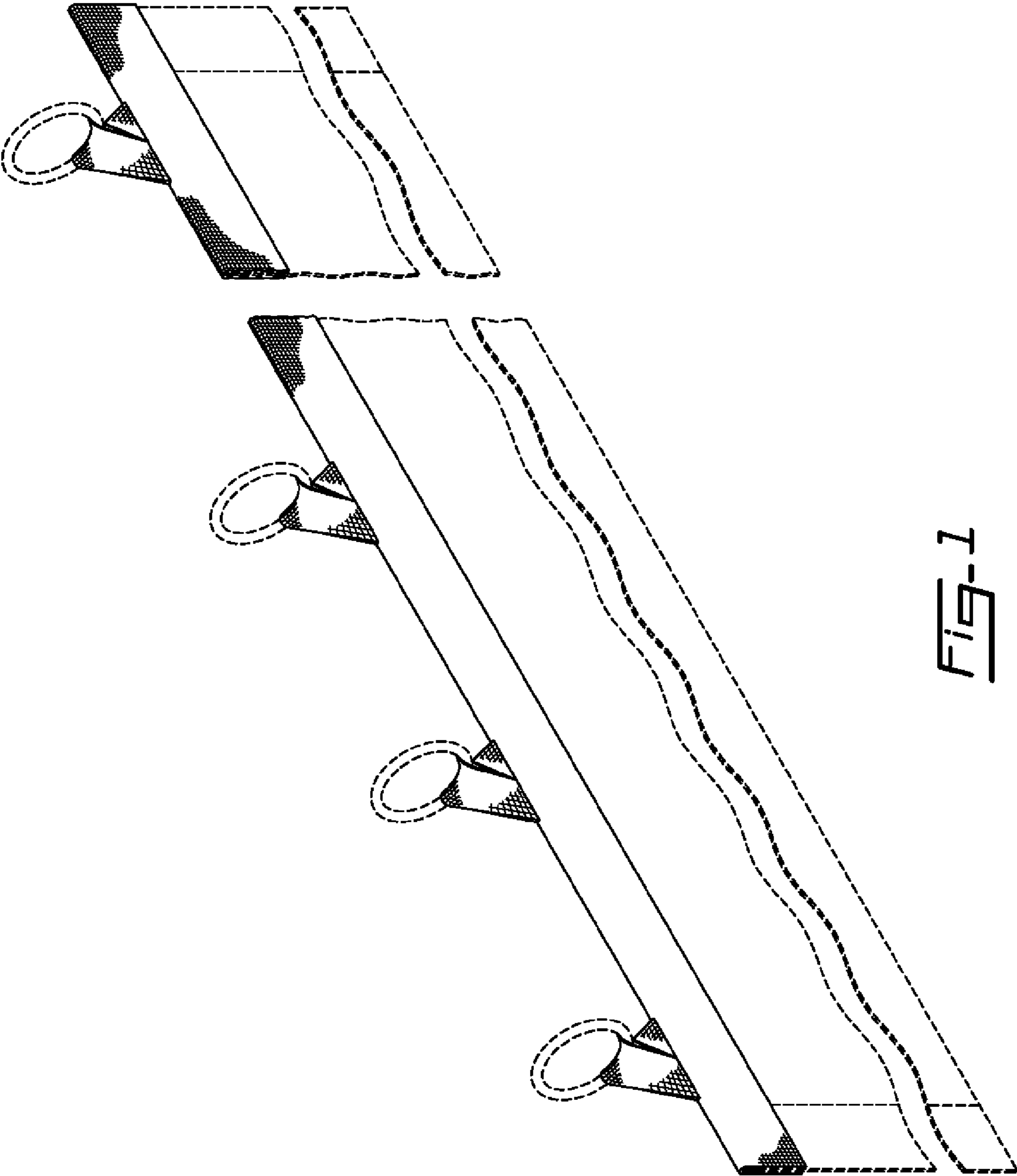
The ornamental design for a curtain, as shown and described.

**DESCRIPTION**

FIG. 1 is a front isometric view of a curtain showing my new design, the curtain being shown in an extended position;  
 FIG. 2 is a front elevational view thereof;  
 FIG. 3 is a rear elevational view thereof;  
 FIG. 4 is a top view thereof;  
 FIG. 5 is a bottom view thereof;  
 FIG. 6 is a left side view thereof, the right side view being a mirror image of FIG. 6; and,  
 FIG. 7 is a front isometric view of the curtain depicted in FIG. 1, shown in a partially folded position.  
 The rings and the pole are shown in broken lines for illustration purposes only and form no part of the claimed design.

**1 Claim, 4 Drawing Sheets**





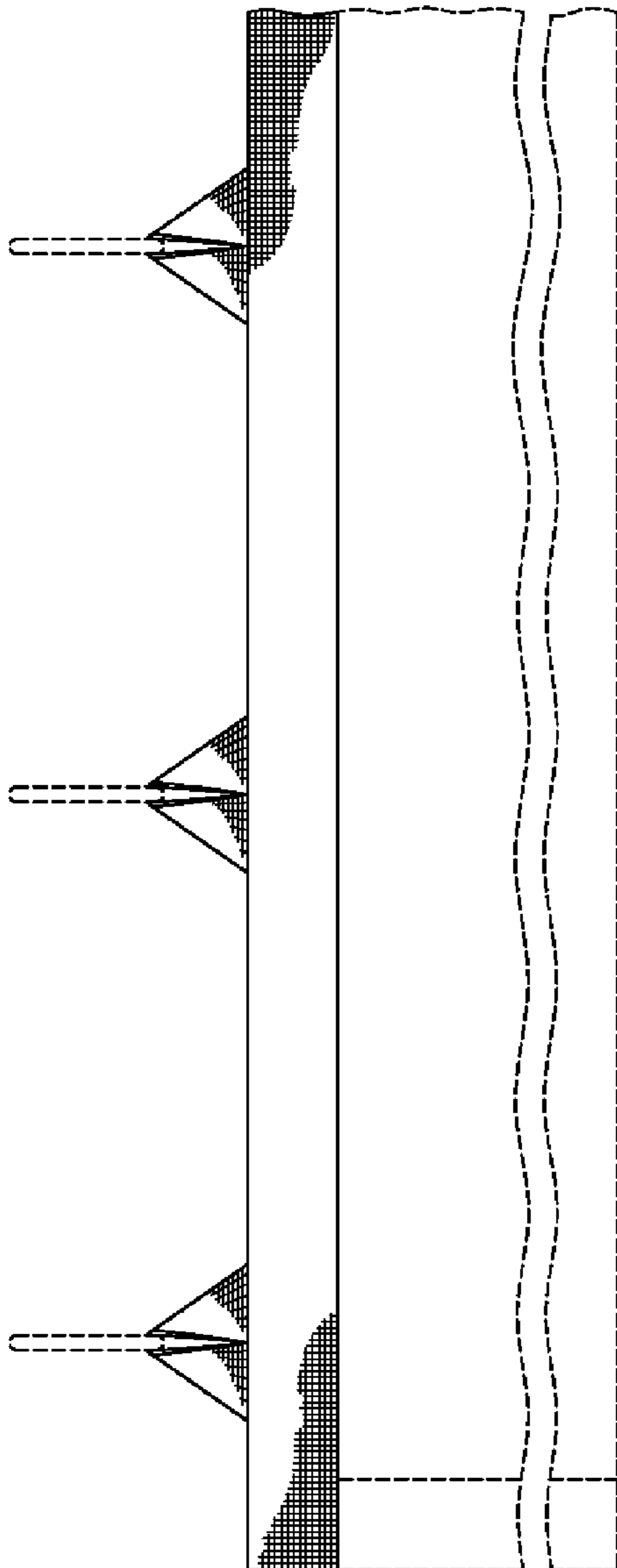
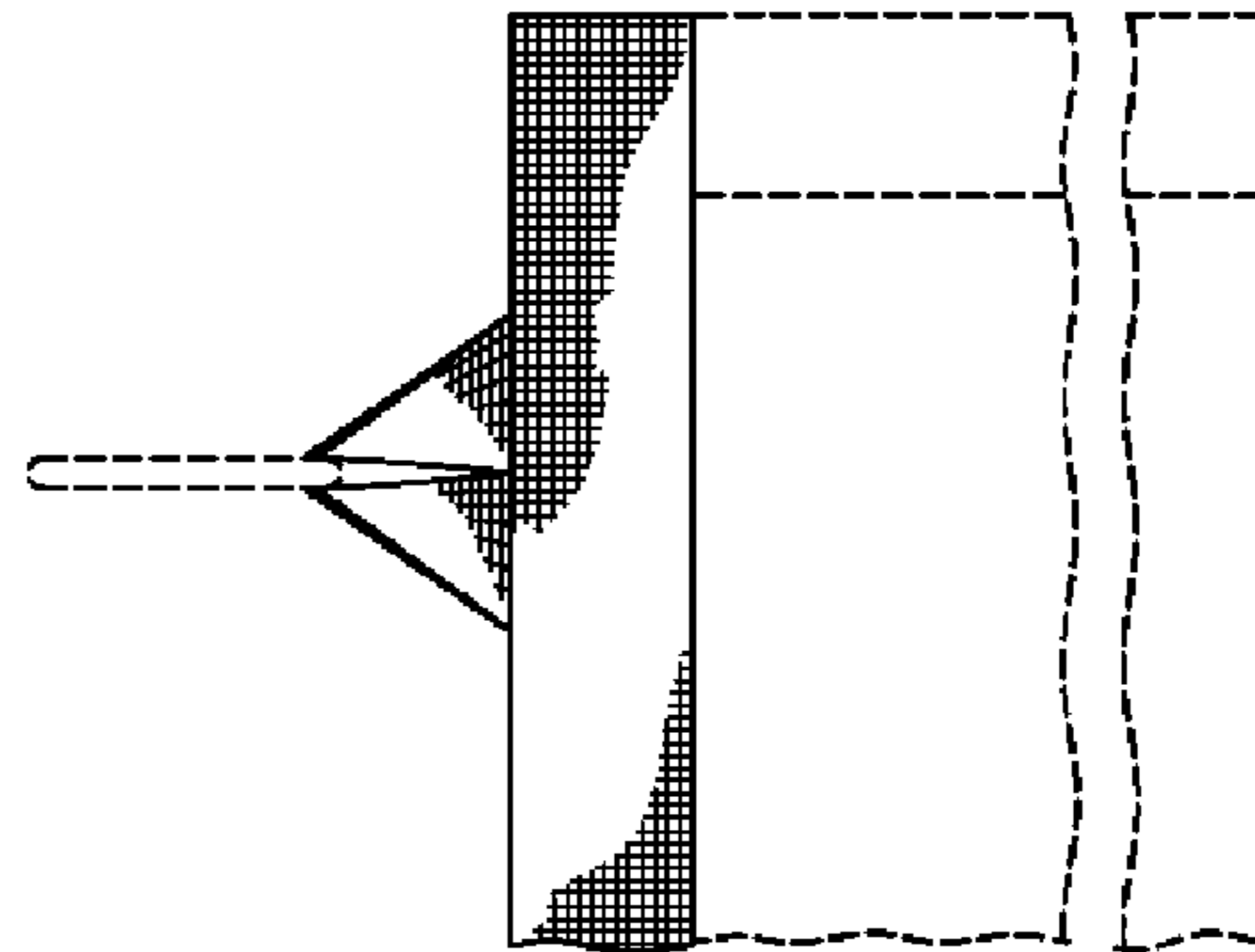
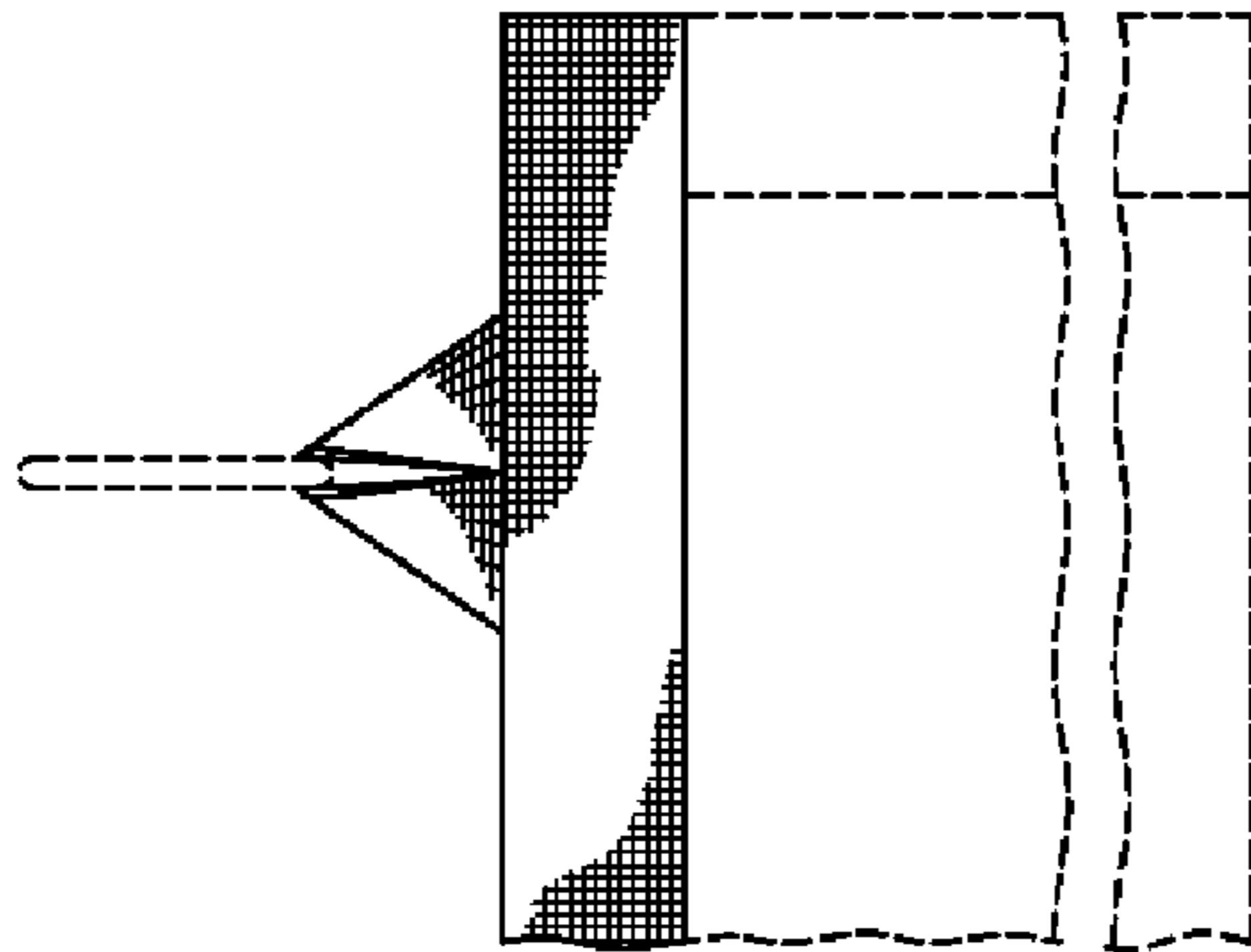


FIG. 2

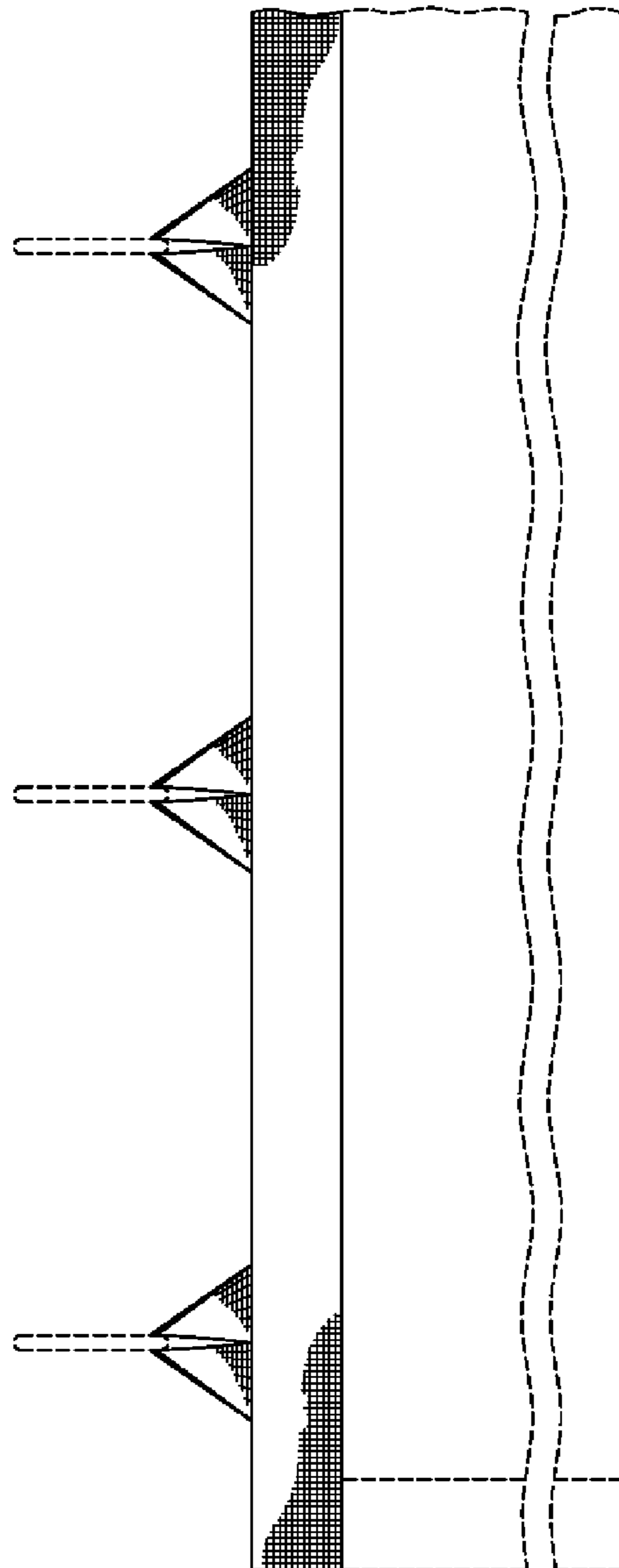


FIG. 3

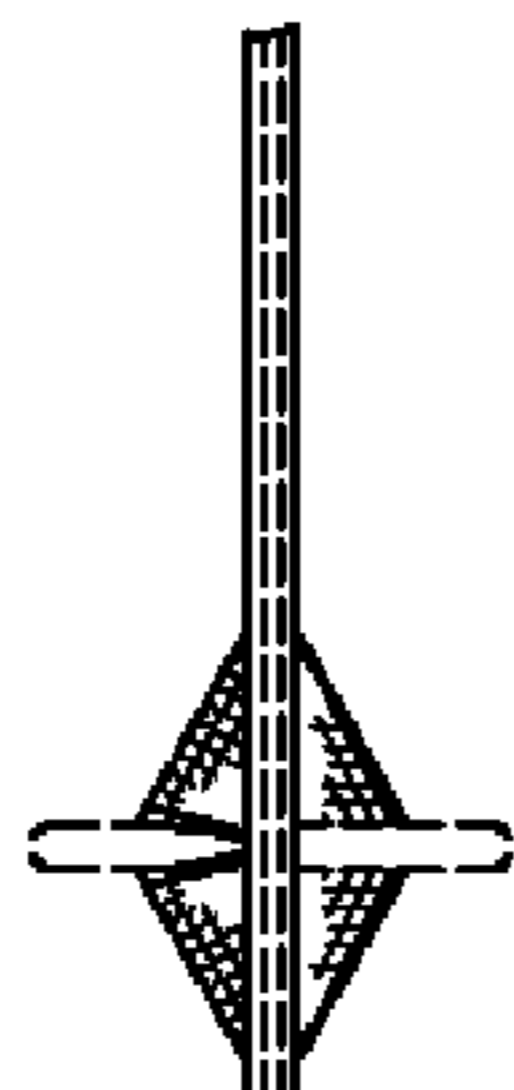
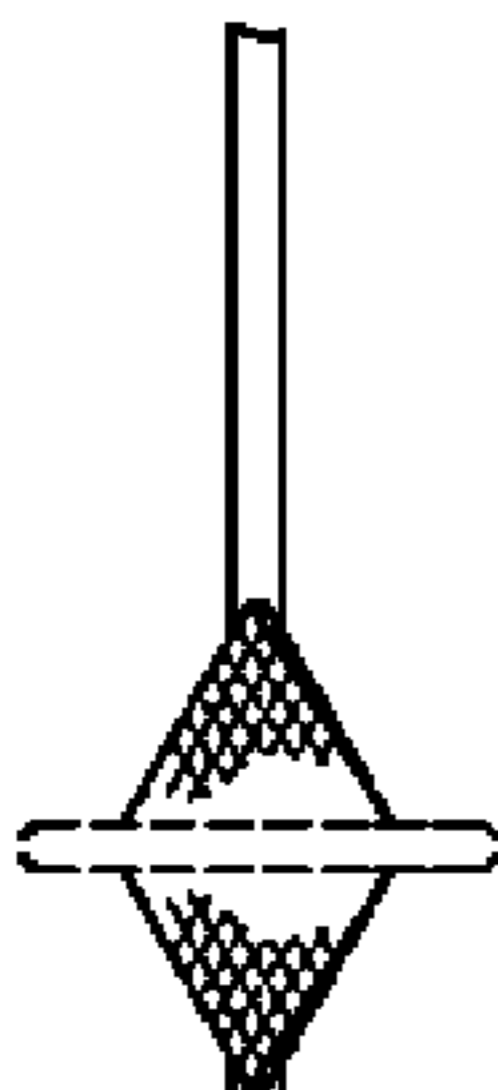
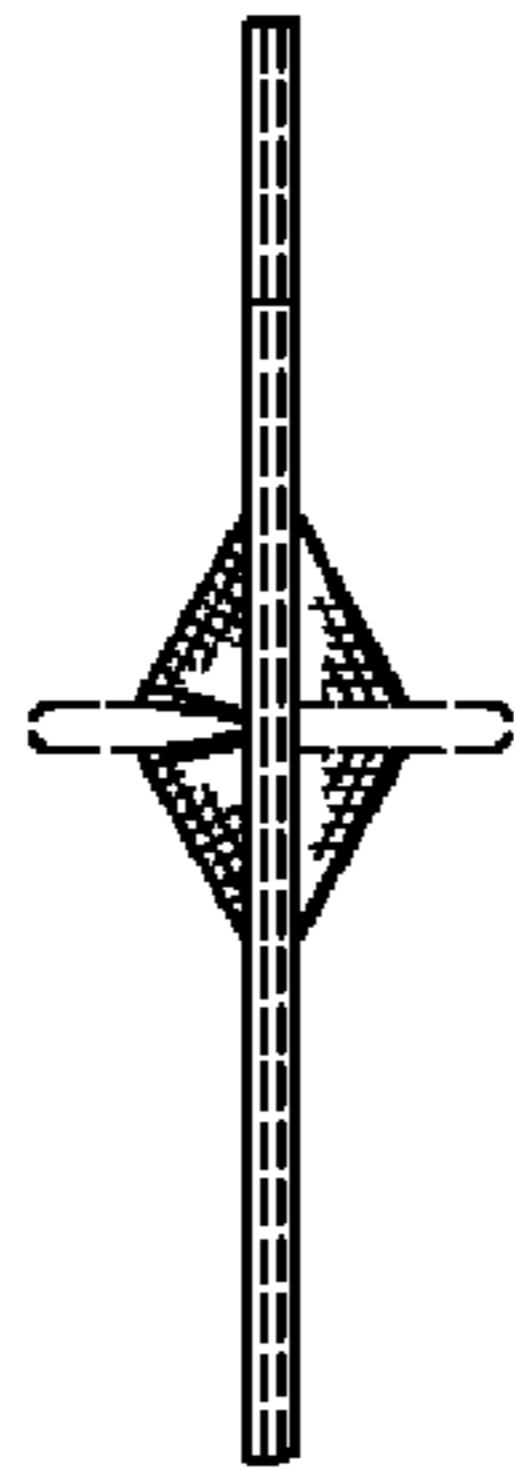
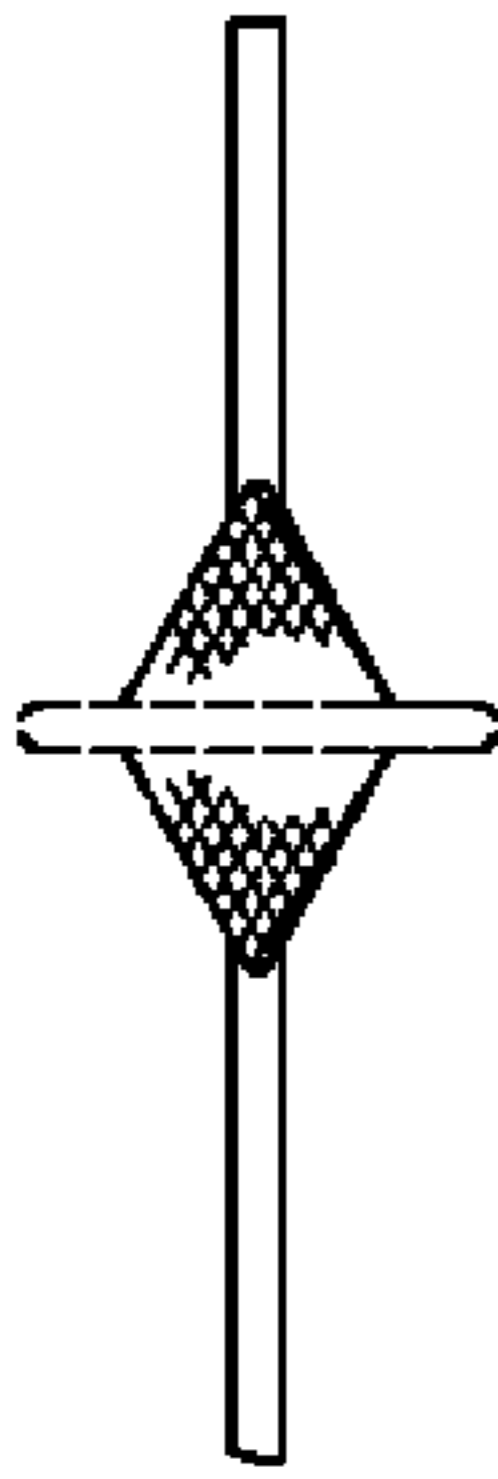


FIG-4

FIG-5

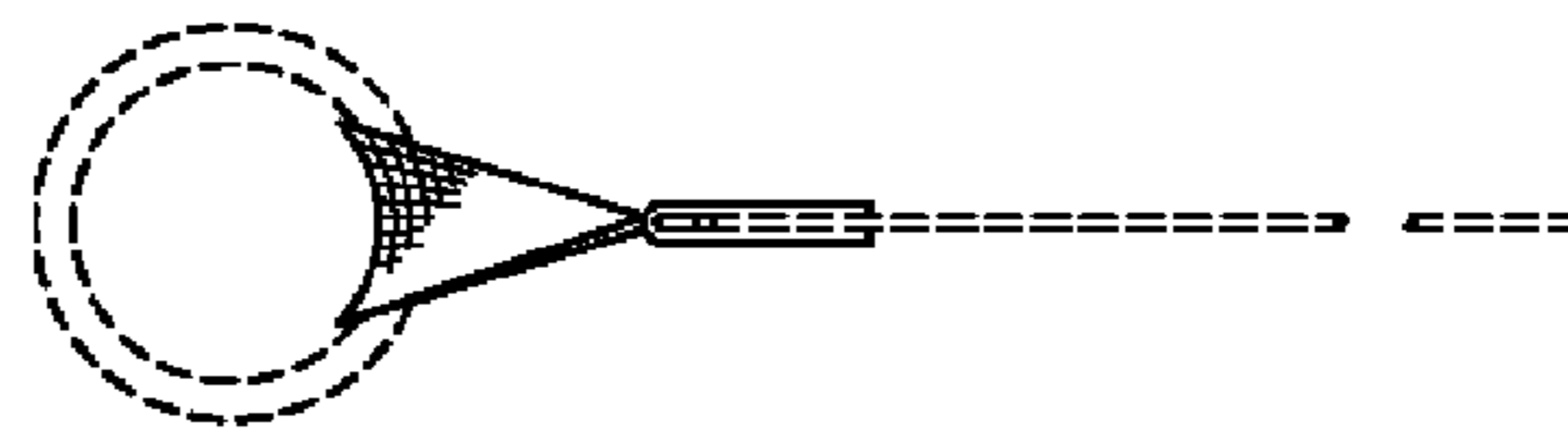
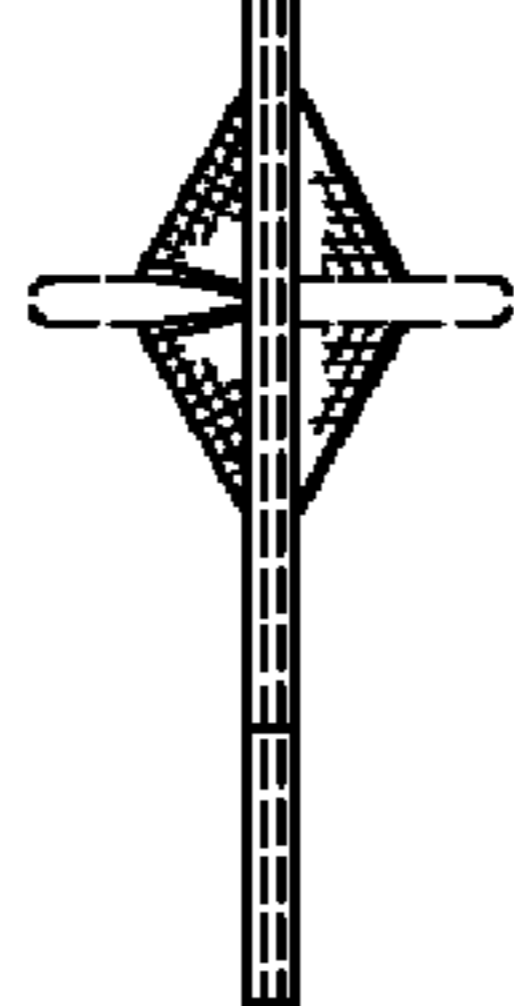
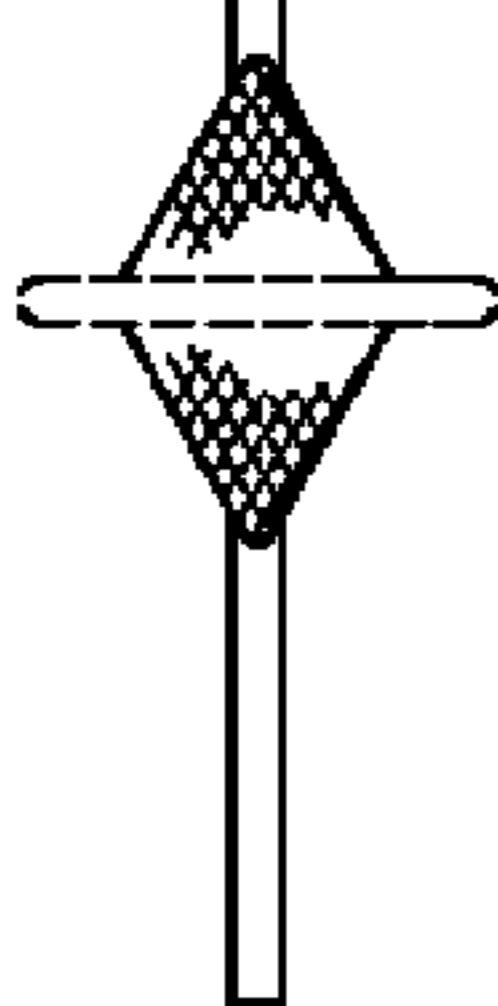
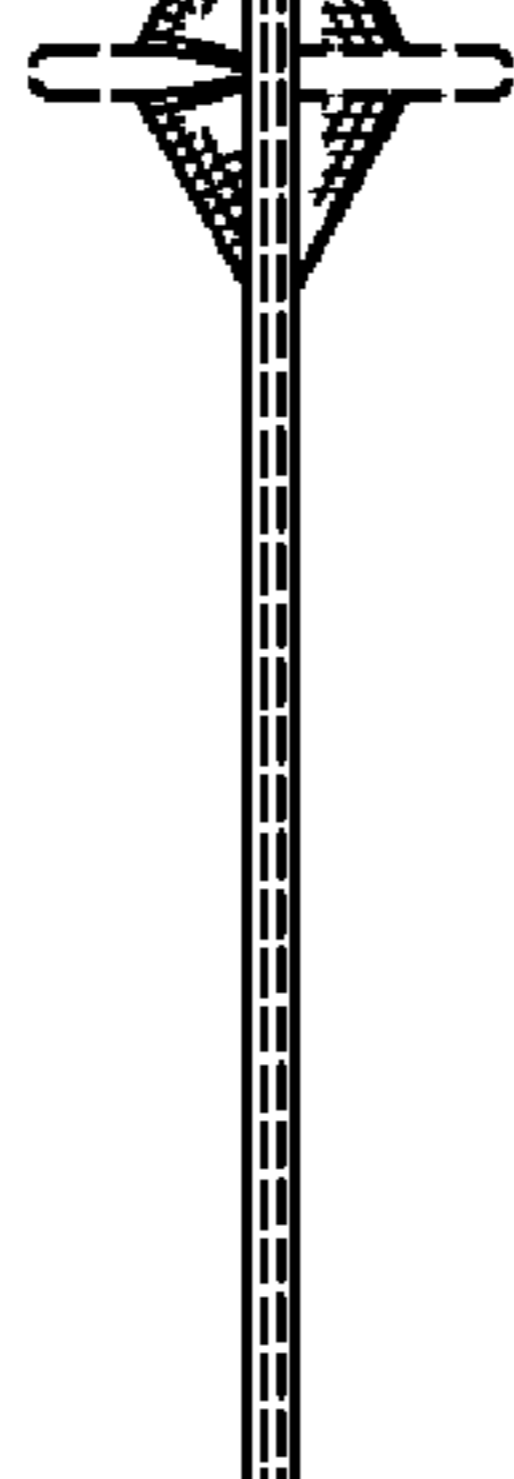
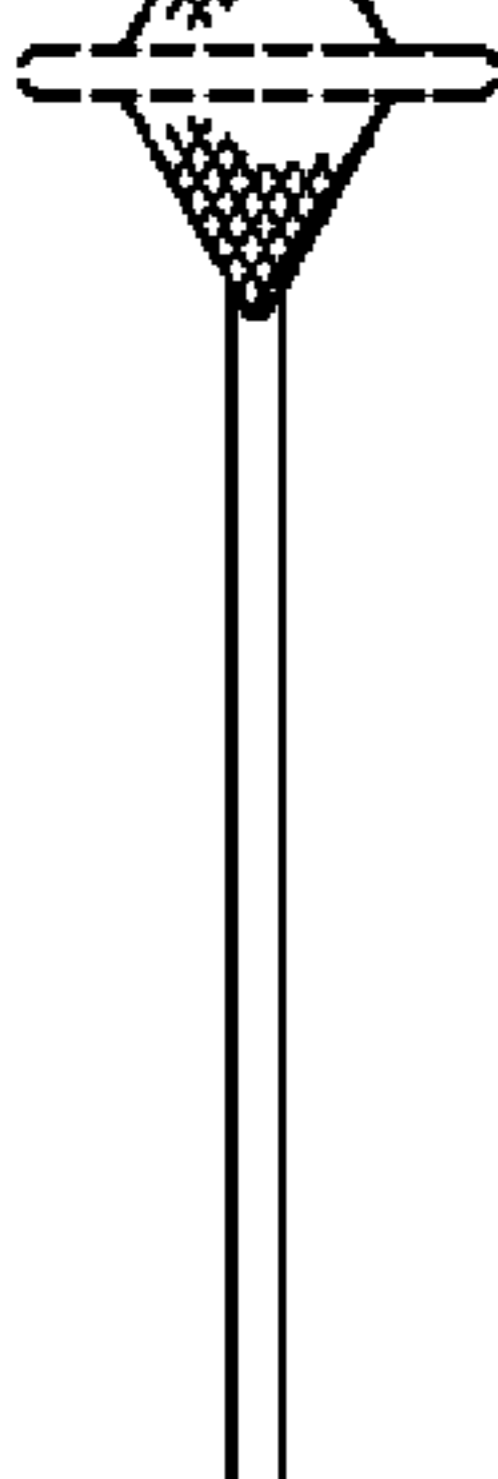
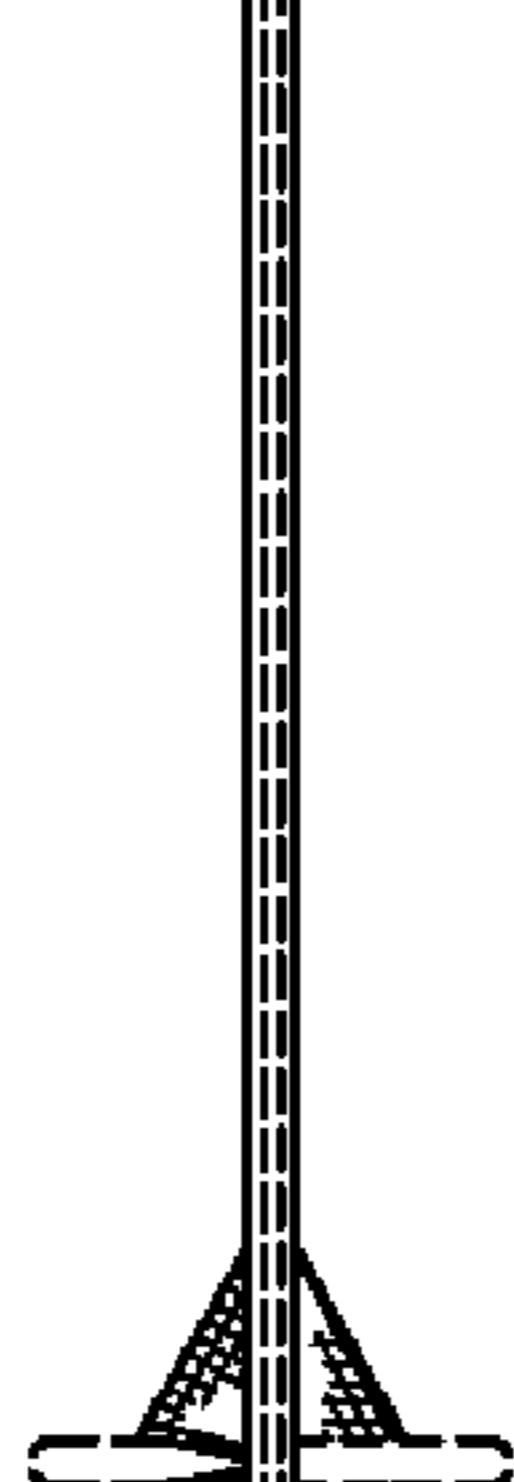
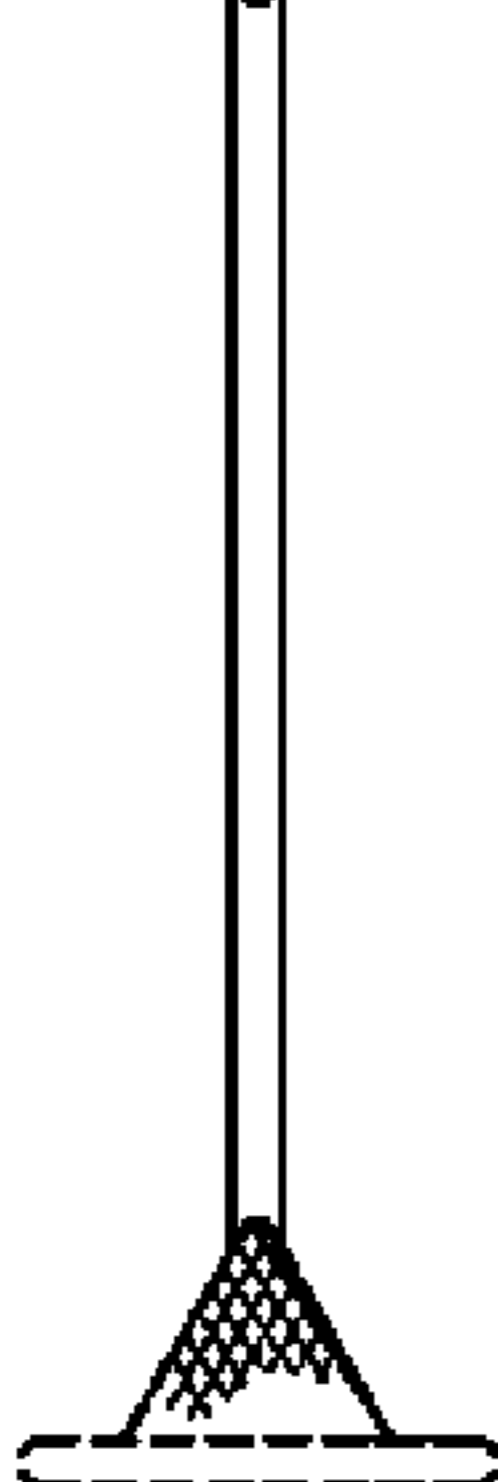


FIG-6

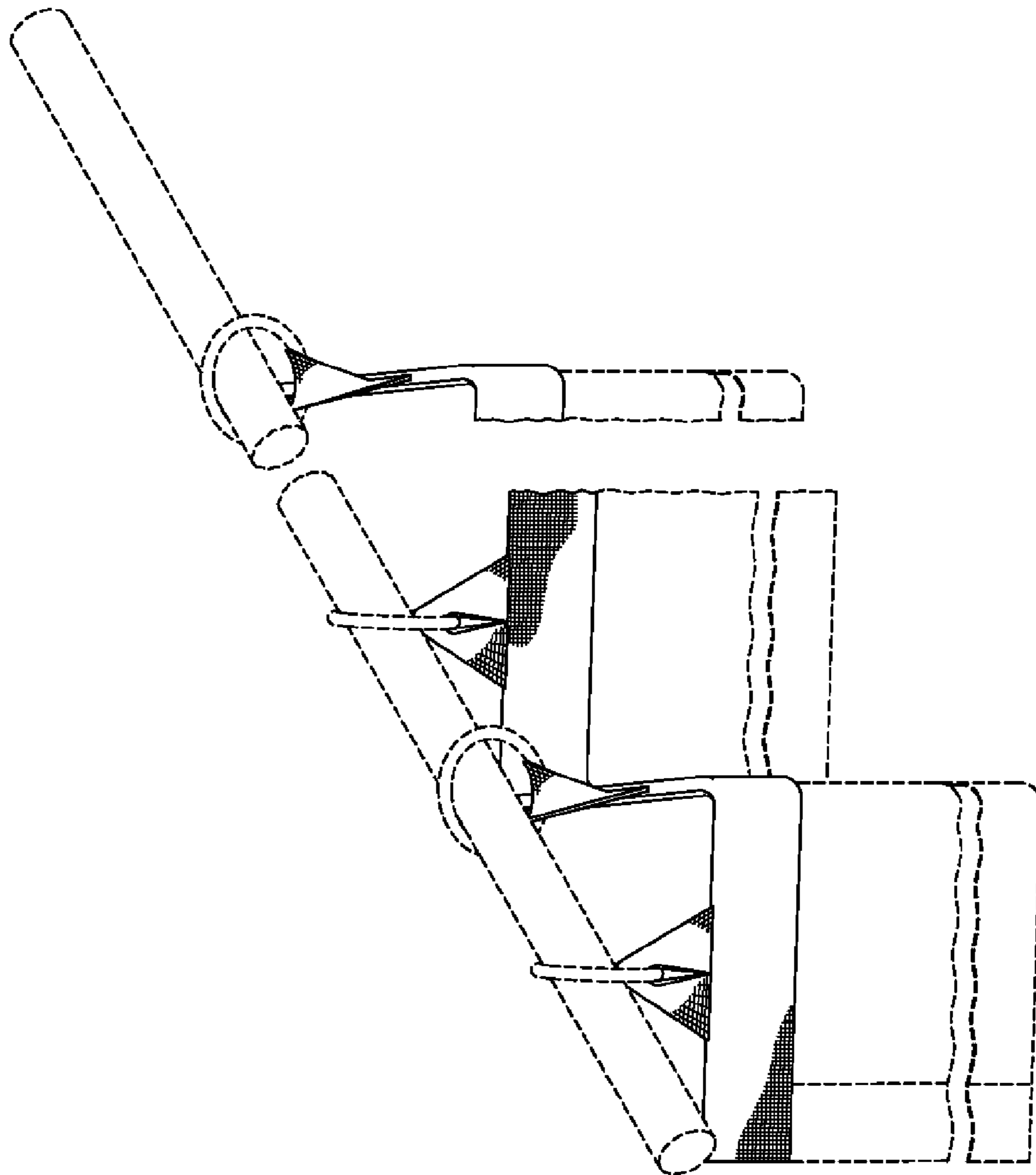


FIG. 7