



US00D642841S

(12) **United States Design Patent**
Dretzka

(10) **Patent No.:** **US D642,841 S**

(45) **Date of Patent:** **** Aug. 9, 2011**

- (54) **SUCTION SPONGE HOLDER**
 - (75) Inventor: **Philip C. Dretzka**, Mariemont, OH (US)
 - (73) Assignee: **InterDesign, Inc.**, Solon, OH (US)
 - (**) Term: **14 Years**
 - (21) Appl. No.: **29/372,279**
 - (22) Filed: **Nov. 3, 2010**
 - (51) **LOC (9) Cl.** **06-04**
 - (52) **U.S. Cl.** **D6/553**
 - (58) **Field of Classification Search** D6/553,
D6/540, 567, 574; D3/201, 304, 315, 901;
211/13.1, 85.1, 82.12, 70.6, 86.01, 87.01,
211/119.009, 126.1; 206/77.1, 5, 207, 349,
206/361, 363, 812
- See application file for complete search history.

- 2005 InterDesign, Inc. product brochure, p. 18, 26, 27, 37 with front cover.
- 2006 InterDesign, Inc. product brochure, p. 19, 26, 27, 33, 35, 37, 39 with front cover.
- 2007 InterDesign, Inc. product brochure, p. 27, 28, 49, 52, 53 with front cover.
- 2008 InterDesign, Inc. product brochure, p. 10, 11, 53, 56 with front cover.
- 2009 InterDesign, Inc. product brochure, p. 24, 26, 29 with front cover.

* cited by examiner

Primary Examiner — Brian N Vinson

(74) *Attorney, Agent, or Firm* — D. Peter Hochberg; Sean F. Mellino; Daniel J. Smola

(57) **CLAIM**

The ornamental design for a suction sponge holder, as shown and described.

(56) **References Cited**

U.S. PATENT DOCUMENTS

D362,780 S	*	10/1995	Hampshire	D6/567
D409,426 S		5/1999	Hampshire		
D419,808 S		2/2000	Hampshire		
D481,894 S		11/2003	Hunt		
D483,587 S	*	12/2003	Snell	D6/525
D486,185 S		2/2004	Sheldon et al.		
D512,255 S	*	12/2005	Snell	D6/567
D532,235 S	*	11/2006	Snell	D6/567
D532,236 S		11/2006	Dretzka		
D534,024 S	*	12/2006	Dretzka	D6/567
D535,842 S	*	1/2007	Wood	D6/567
D563,136 S	*	3/2008	Kramer	D6/553
D566,361 S		4/2008	Snell		
D566,919 S		4/2008	Snell		

OTHER PUBLICATIONS

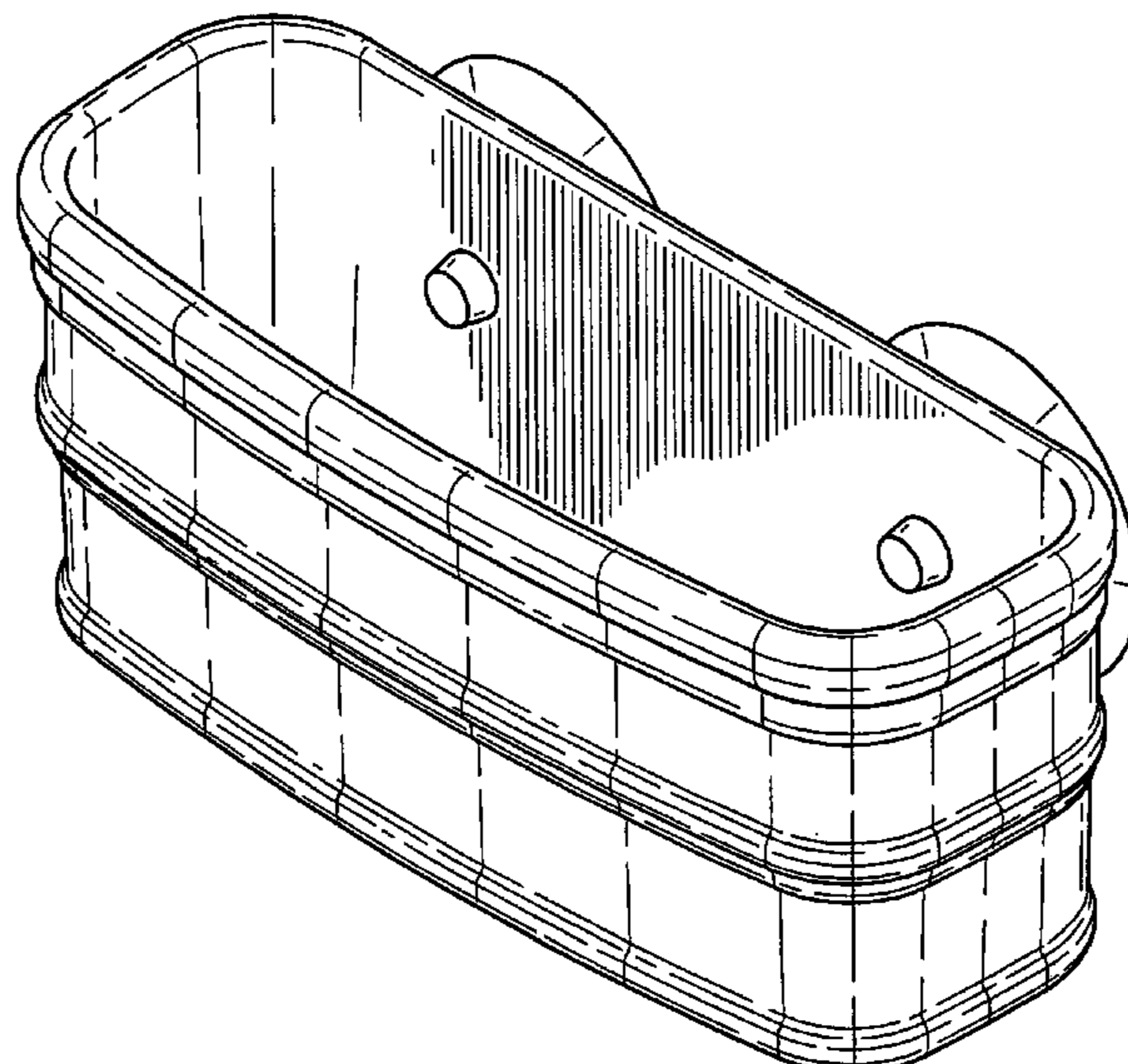
- 2000 InterDesign, Inc. product brochure, p. 10, 13 with front cover.
- 2003 InterDesign, Inc. product brochure, p. 55 with front cover.
- 2004 InterDesign, Inc. product brochure, p. 41, 42, 43 with front cover.

DESCRIPTION

FIG. 1 is a perspective view of the suction sponge holder according to the invention;
 FIG. 2 is a top view of the suction sponge holder as shown in FIG. 1;
 FIG. 3 is a front view of the suction sponge holder as shown in FIG. 1;
 FIG. 4 is a side view of the suction sponge holder as shown in FIG. 1;
 FIG. 5 is a rear view of the suction sponge holder as shown in FIG. 1;
 FIG. 6 is a side view of the suction sponge holder as shown in FIG. 1, shown from the opposite side as that shown in FIG. 4; and,
 FIG. 7 is a bottom view of the suction sponge holder as shown in FIG. 1.

The broken lines represent an unclaimed portion of the article in which the claimed design is embodied.

1 Claim, 3 Drawing Sheets



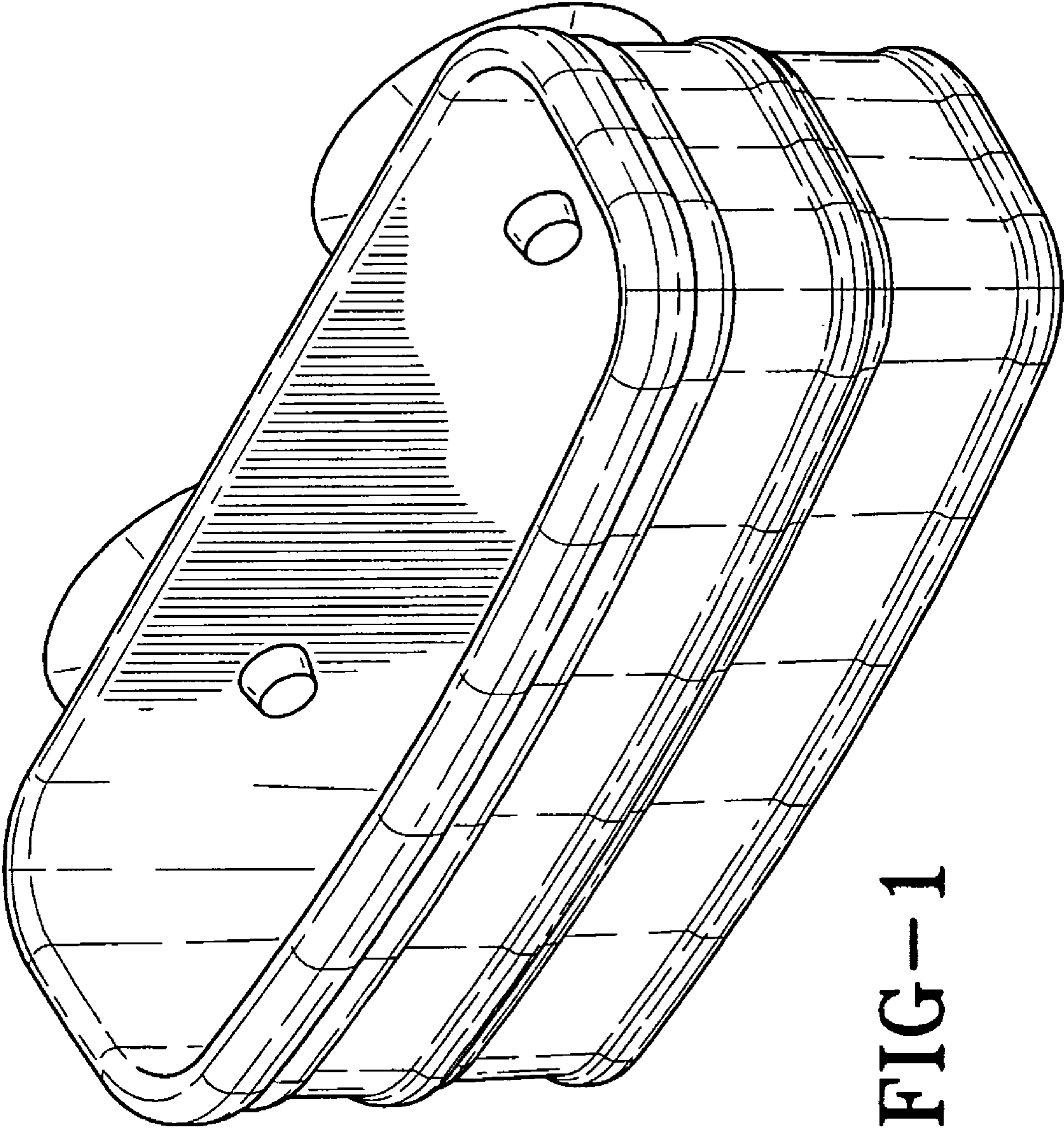


FIG-1

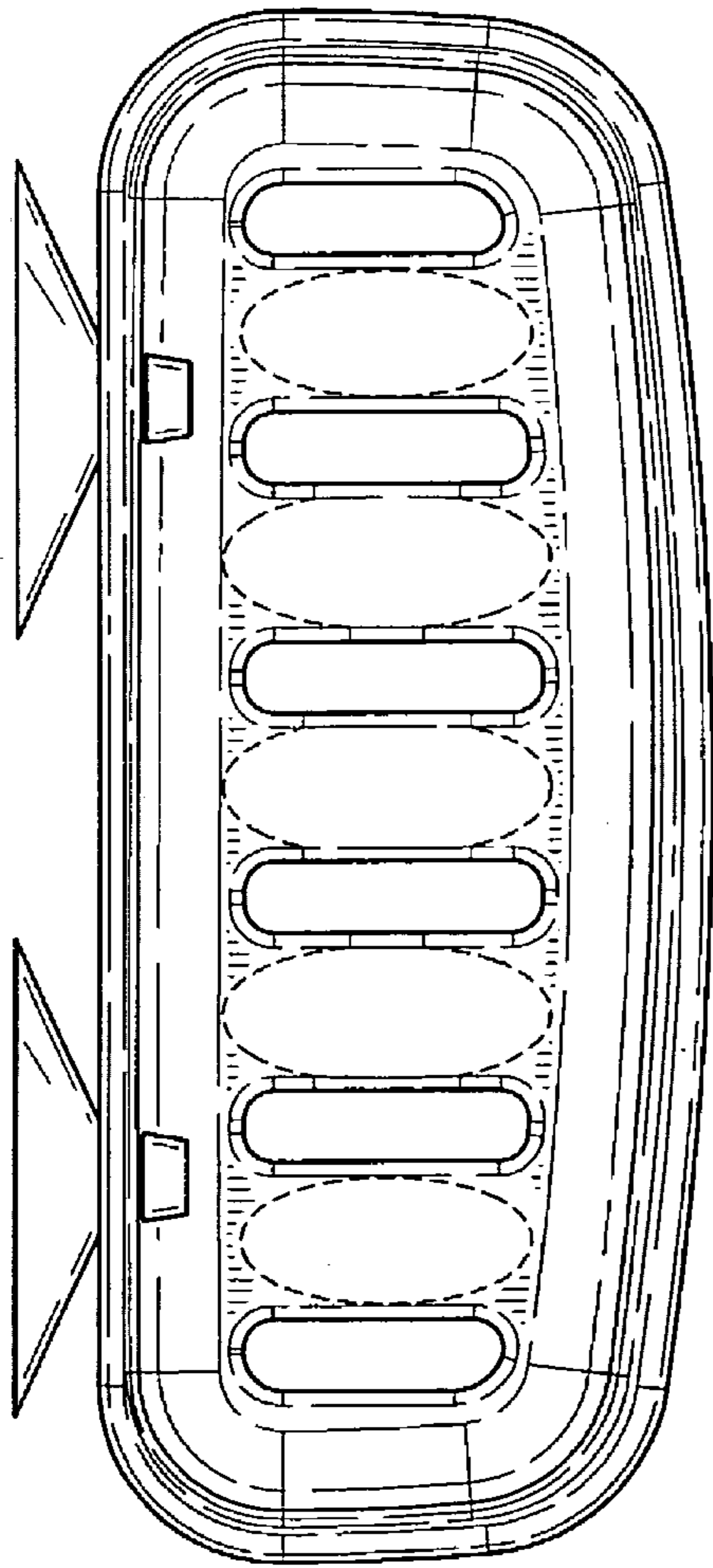


FIG-2

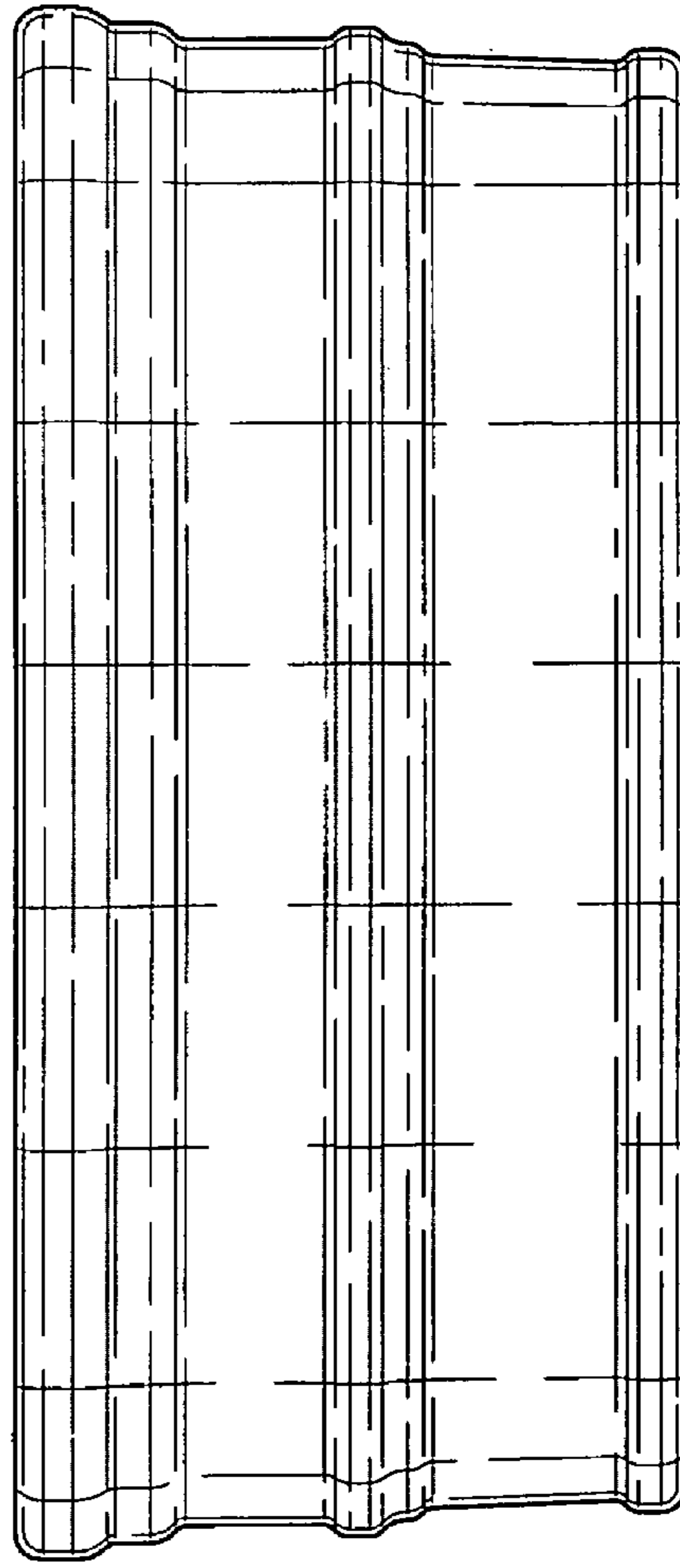


FIG-3

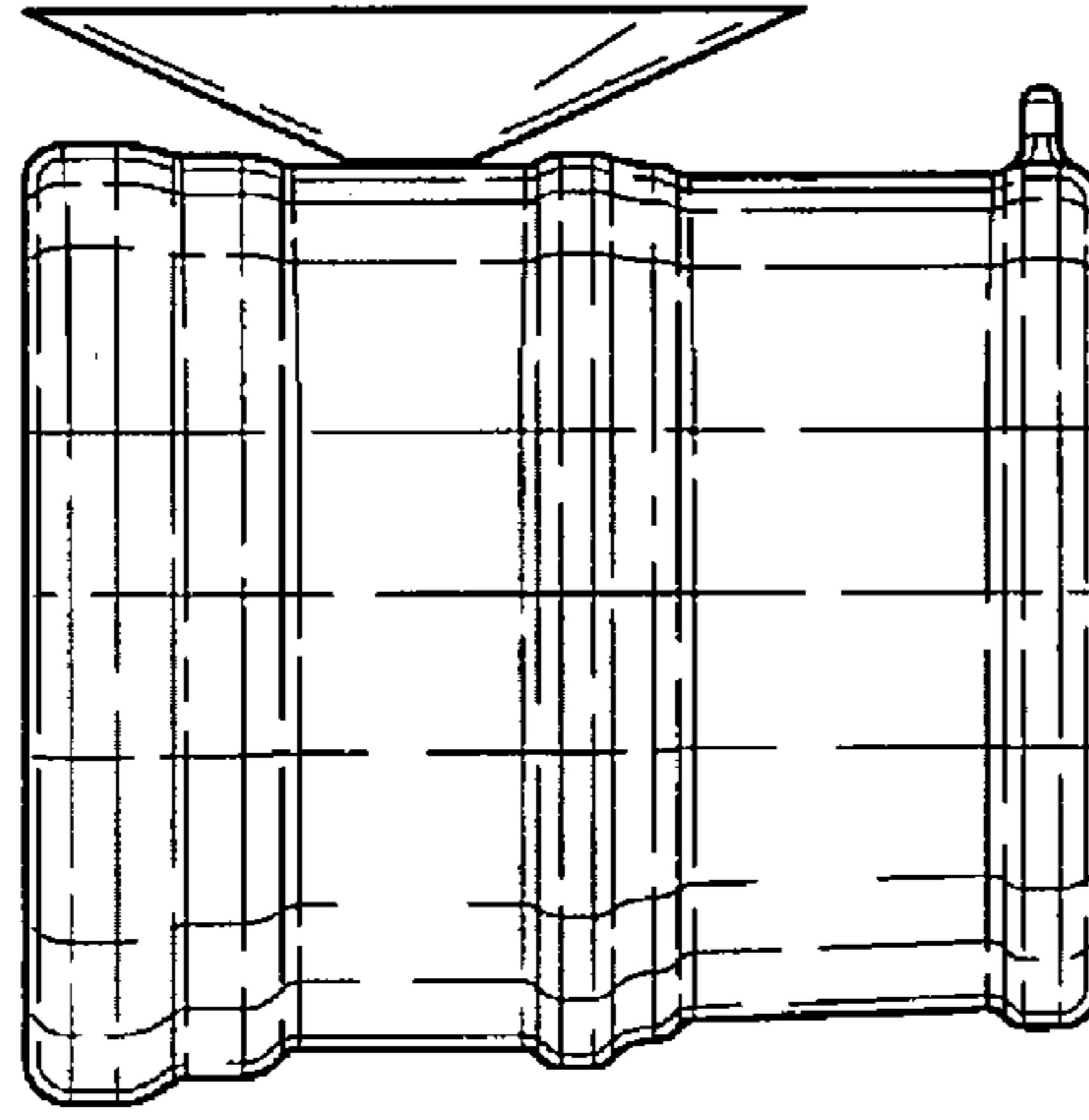


FIG-4

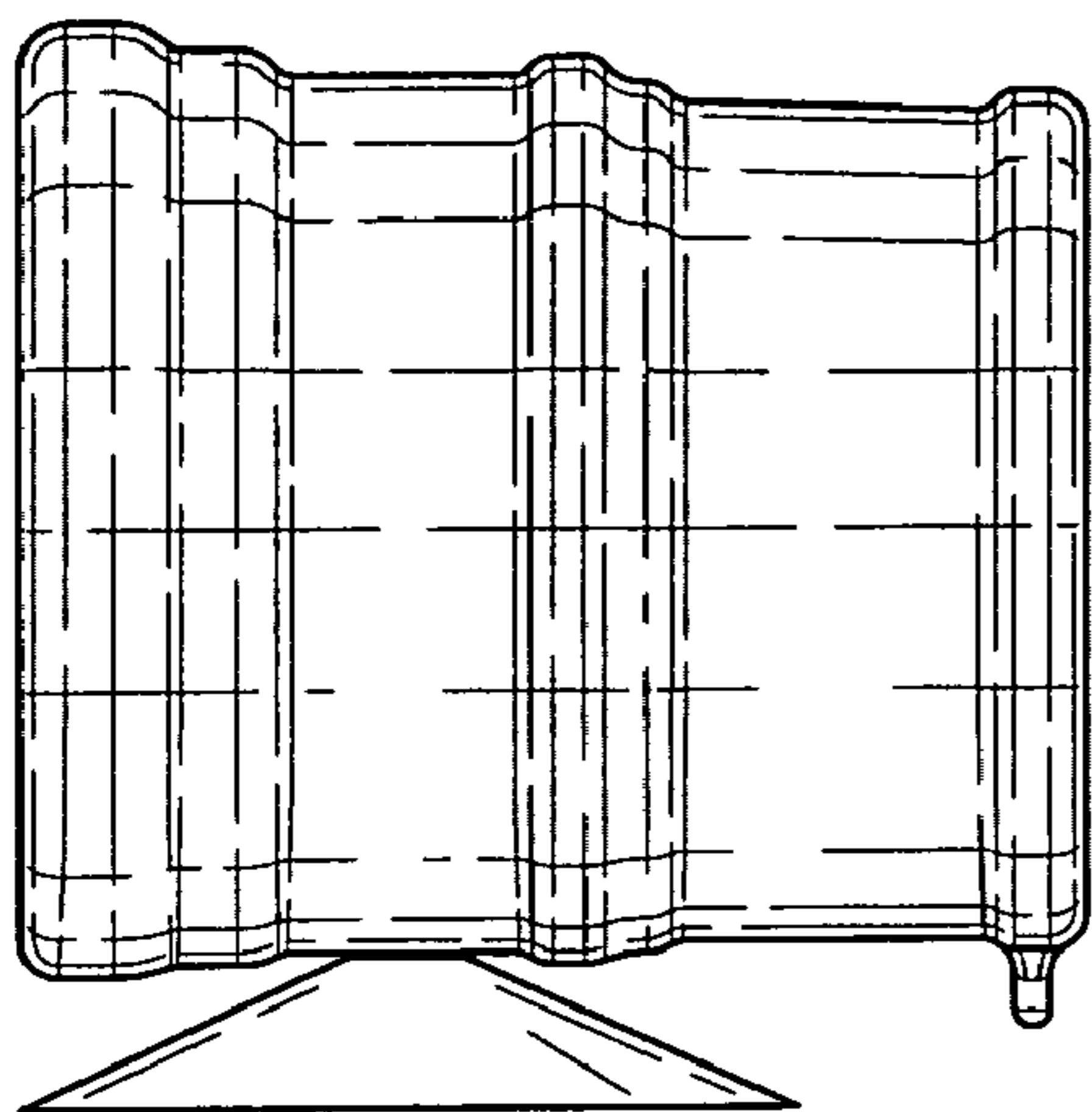


FIG-6

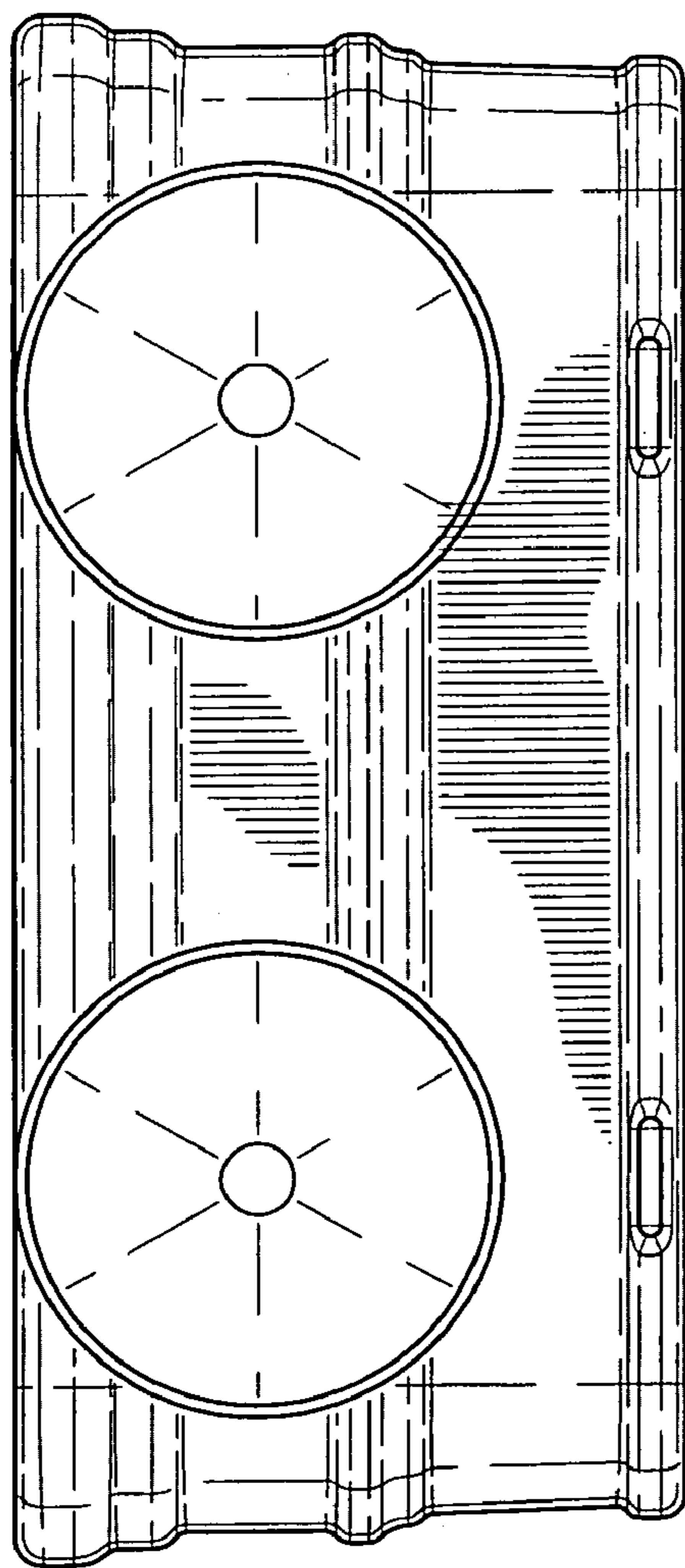


FIG-5

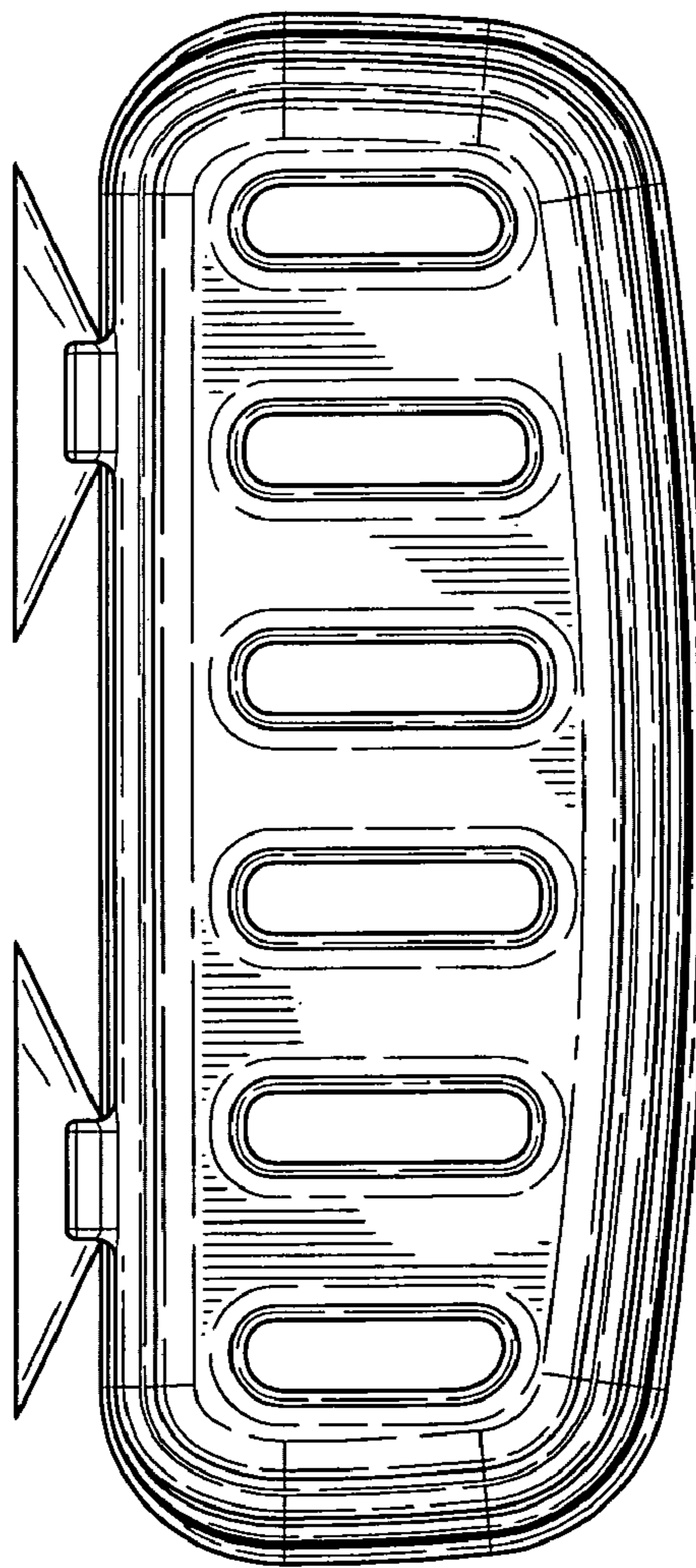


FIG-7