



US00D642840S

(12) **United States Design Patent**
Dretzka

(10) **Patent No.:** **US D642,840 S**

(45) **Date of Patent:** **** Aug. 9, 2011**

(54) **SOAP PUMP AND CADDY**

(75) Inventor: **Philip C. Dretzka**, Mariemont, OH (US)

(73) Assignee: **InterDesign, Inc.**, Solon, OH (US)

(**) Term: **14 Years**

(21) Appl. No.: **29/372,280**

(22) Filed: **Nov. 3, 2010**

(51) **LOC (9) Cl.** **23-02**

(52) **U.S. Cl.** **D6/542**

(58) **Field of Classification Search** D6/542-545,
D6/524, 527-528, 530-531; 221/282; 222/14,
222/173, 146.3, 628, 251, 181.1, 181.3; D9/682,
D9/688, 690, 691, 448, 449

See application file for complete search history.

(56) **References Cited**

U.S. PATENT DOCUMENTS

D341,973 S	*	12/1993	Gerstmar	D6/542
D486,336 S	*	2/2004	Snell	D6/542
D531,843 S	*	11/2006	Snell	D6/542
D531,844 S	*	11/2006	Snell	D6/542
D559,600 S	*	1/2008	Snell	D6/542
D563,704 S	*	3/2008	Snell	D6/542

OTHER PUBLICATIONS

InterDesign, Inc. Product Brochure—2005, pp. 32, 33, 43 with front cover.

InterDesign, Inc. Product Brochure—2006, pp. 32, 35, 38, 41 with front cover.

InterDesign, Inc. Product Brochure—2007, pp. 46, 49, 53, 54, 55 with front cover.

InterDesign, Inc. Product Brochure—2008, pp. 12, 13 with front cover.

InterDesign, Inc. Product Brochure—2009, pp. 67, 69, 72, 73 with front cover.

* cited by examiner

Primary Examiner — Brian N Vinson

(74) *Attorney, Agent, or Firm* — D. Peter Hochberg; Sean F. Mellino; Daniel J. Smola

(57) **CLAIM**

The ornamental design for a soap pump and caddy, as shown and described.

DESCRIPTION

FIG. 1 is a perspective view of the soap pump and caddy according to the invention;

FIG. 2 is a side view of the soap pump and caddy as shown in FIG. 1;

FIG. 3 is a front view of the soap pump and caddy as shown in FIG. 1;

FIG. 4 is a side view of the soap pump and caddy as shown in FIG. 1, shown from the opposite side as that shown in FIG. 2;

FIG. 5 is a rear view of the soap pump and caddy as shown in FIG. 1;

FIG. 6 is a top view of the soap pump and caddy as shown in FIG. 1;

FIG. 7 is a bottom view of the soap pump and caddy as shown in FIG. 1; and,

FIG. 8 is a fragmentary cross-sectional side view of the soap pump and caddy of FIG. 2 as shown in FIG. 1.

1 Claim, 5 Drawing Sheets

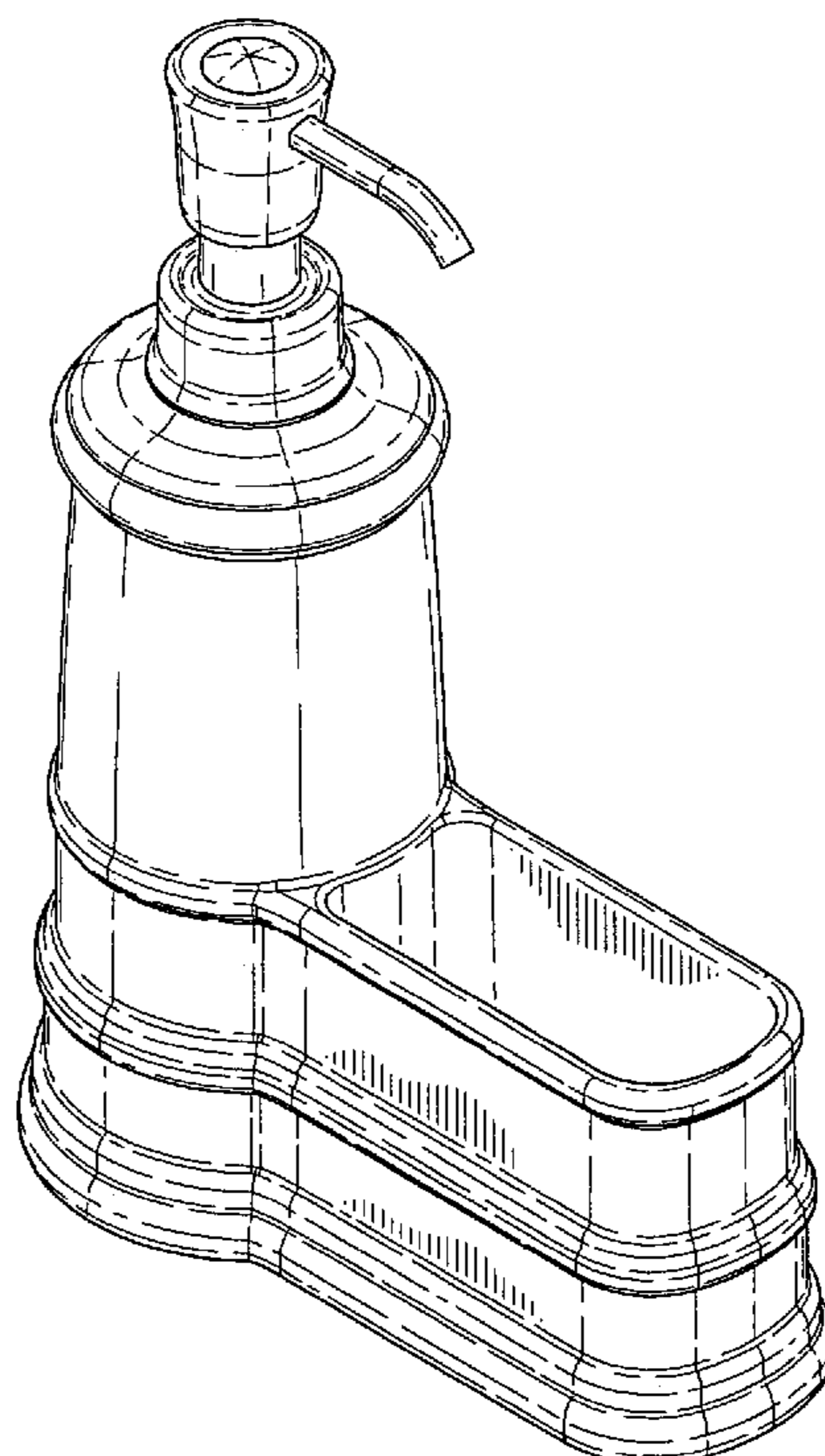
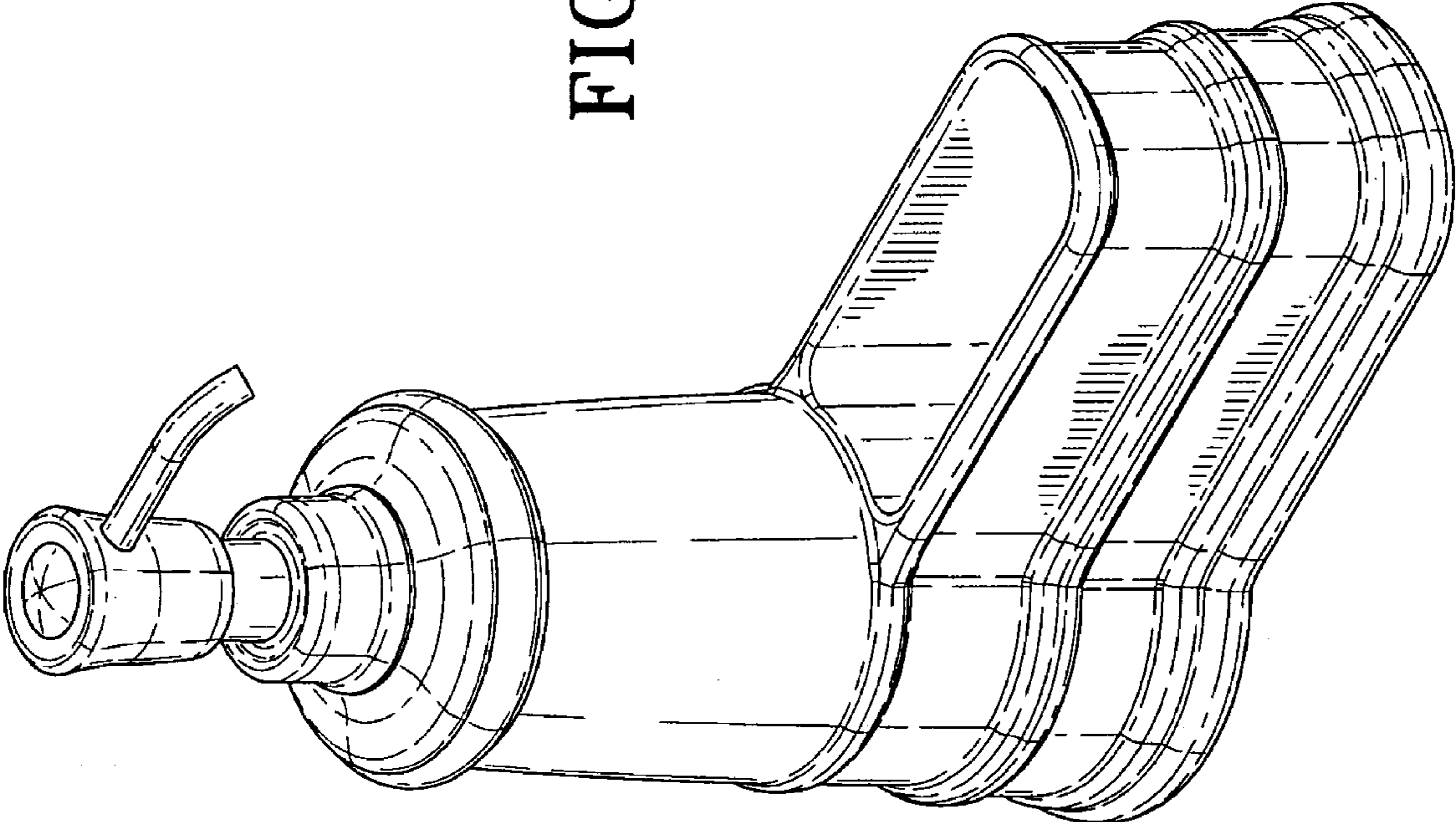


FIG-1



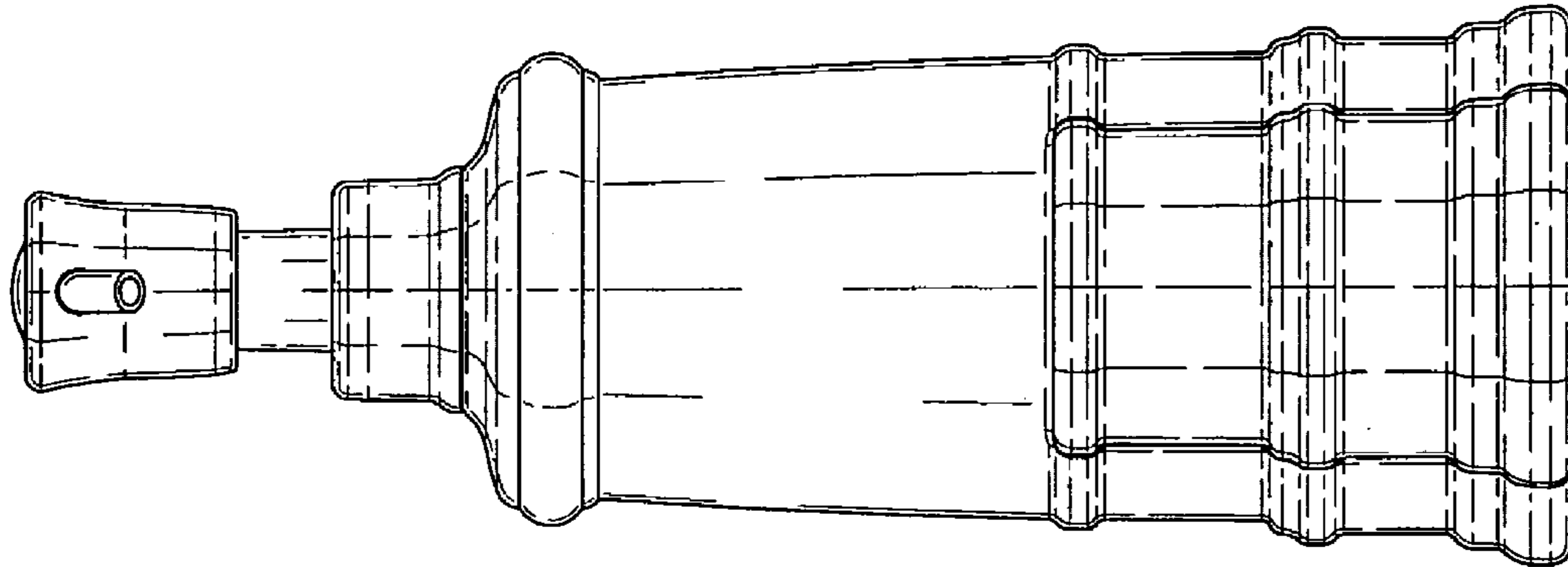


FIG-3

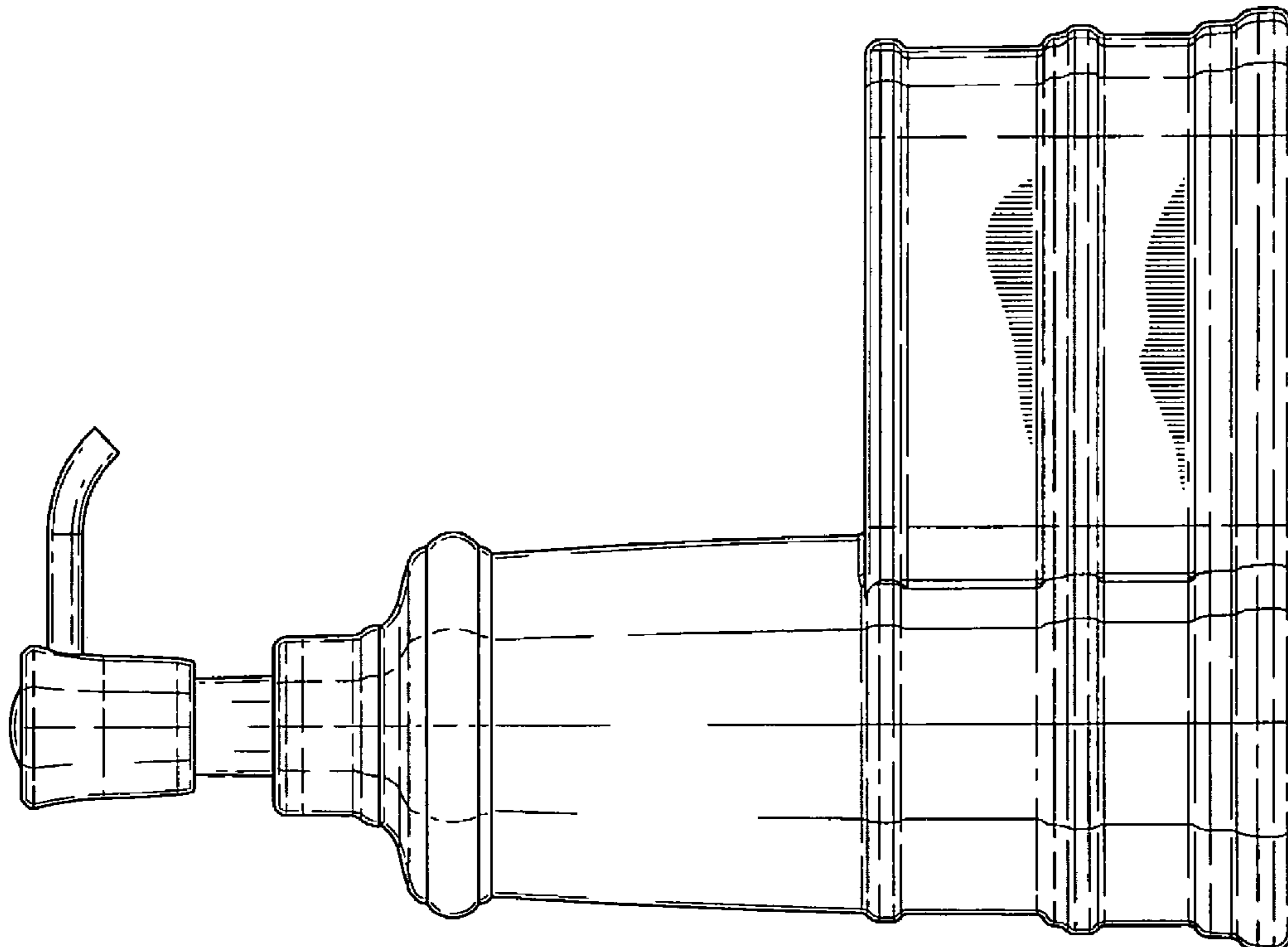


FIG-2

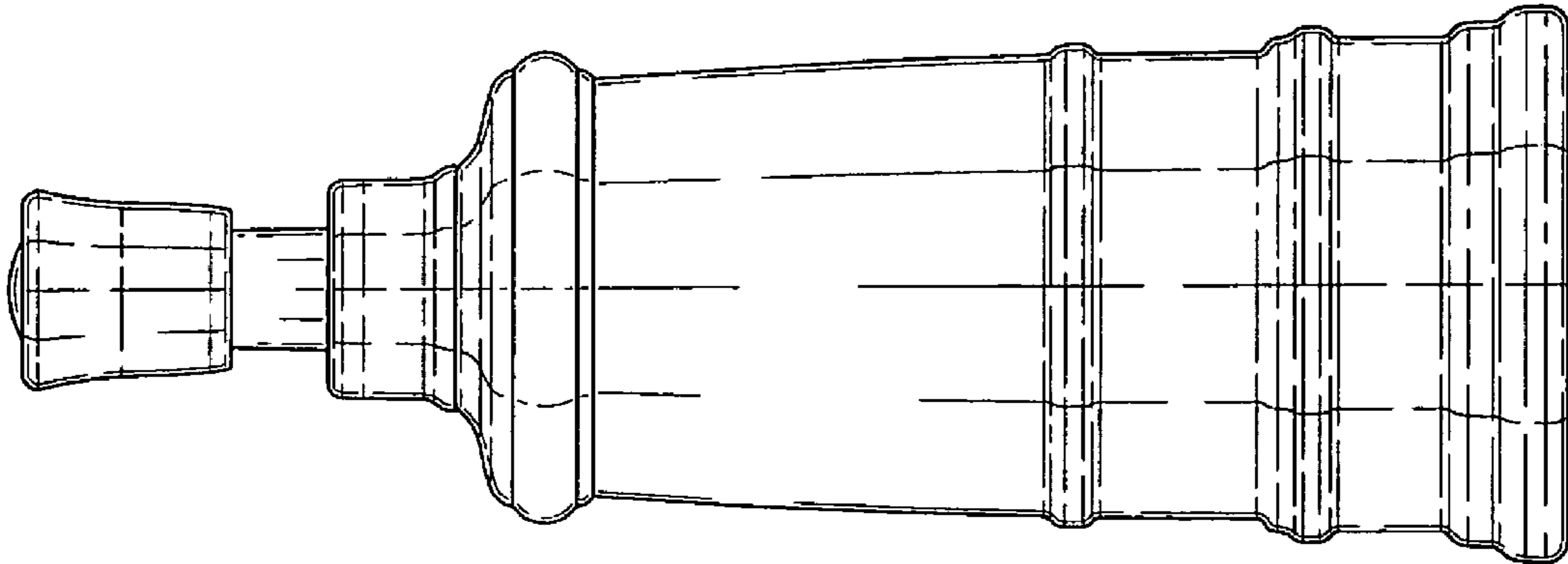


FIG-5

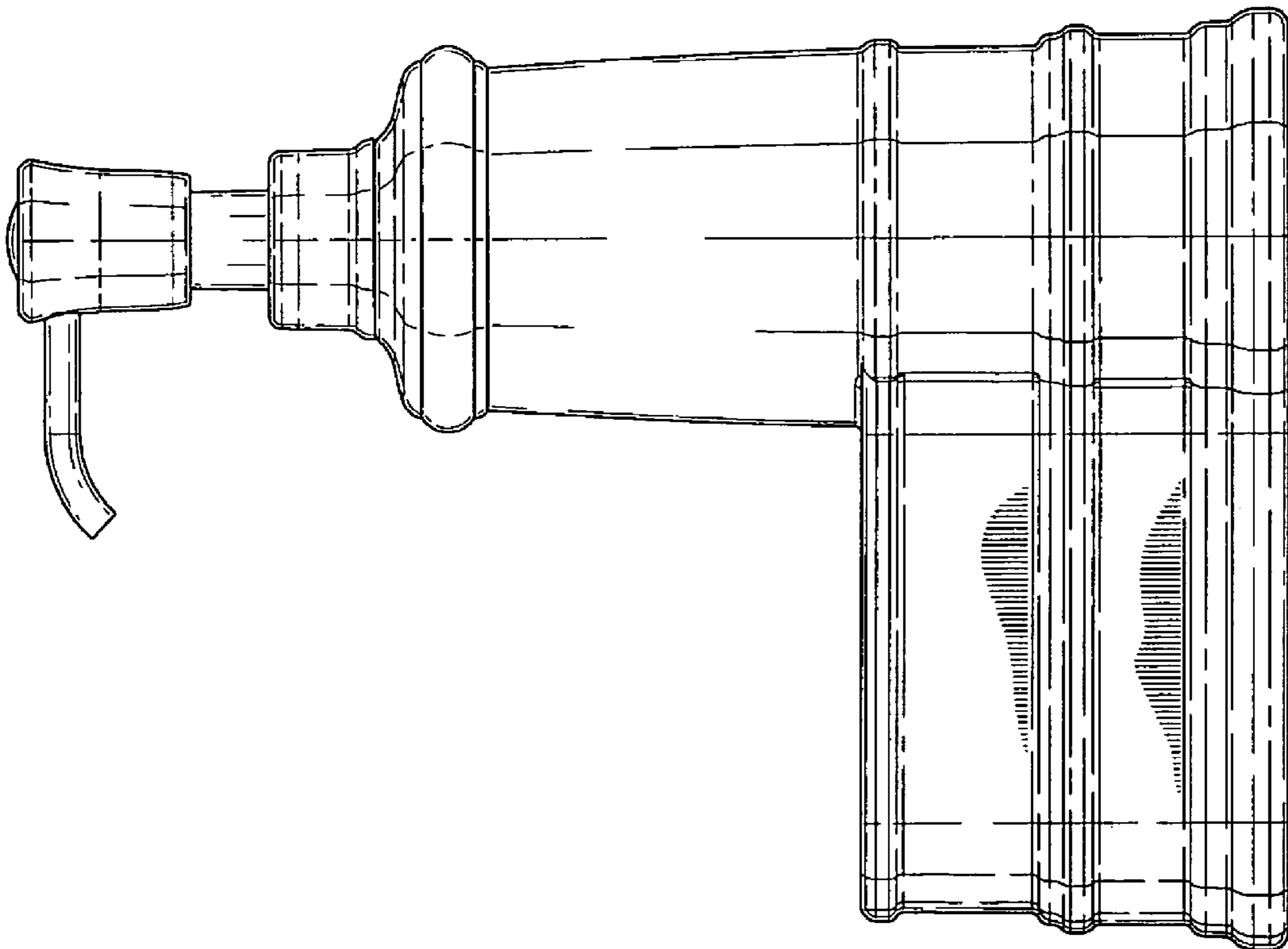


FIG-4

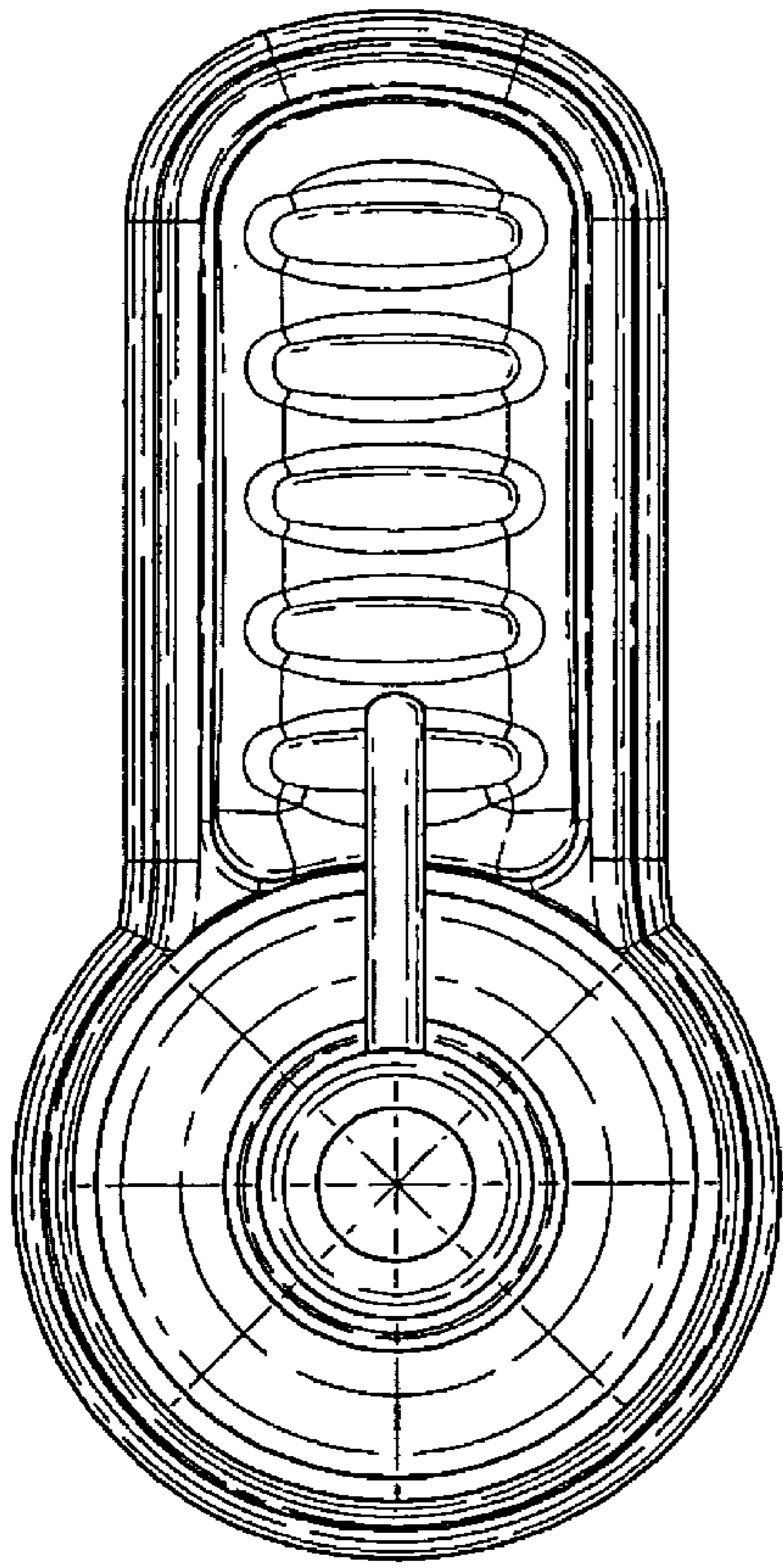


FIG-6

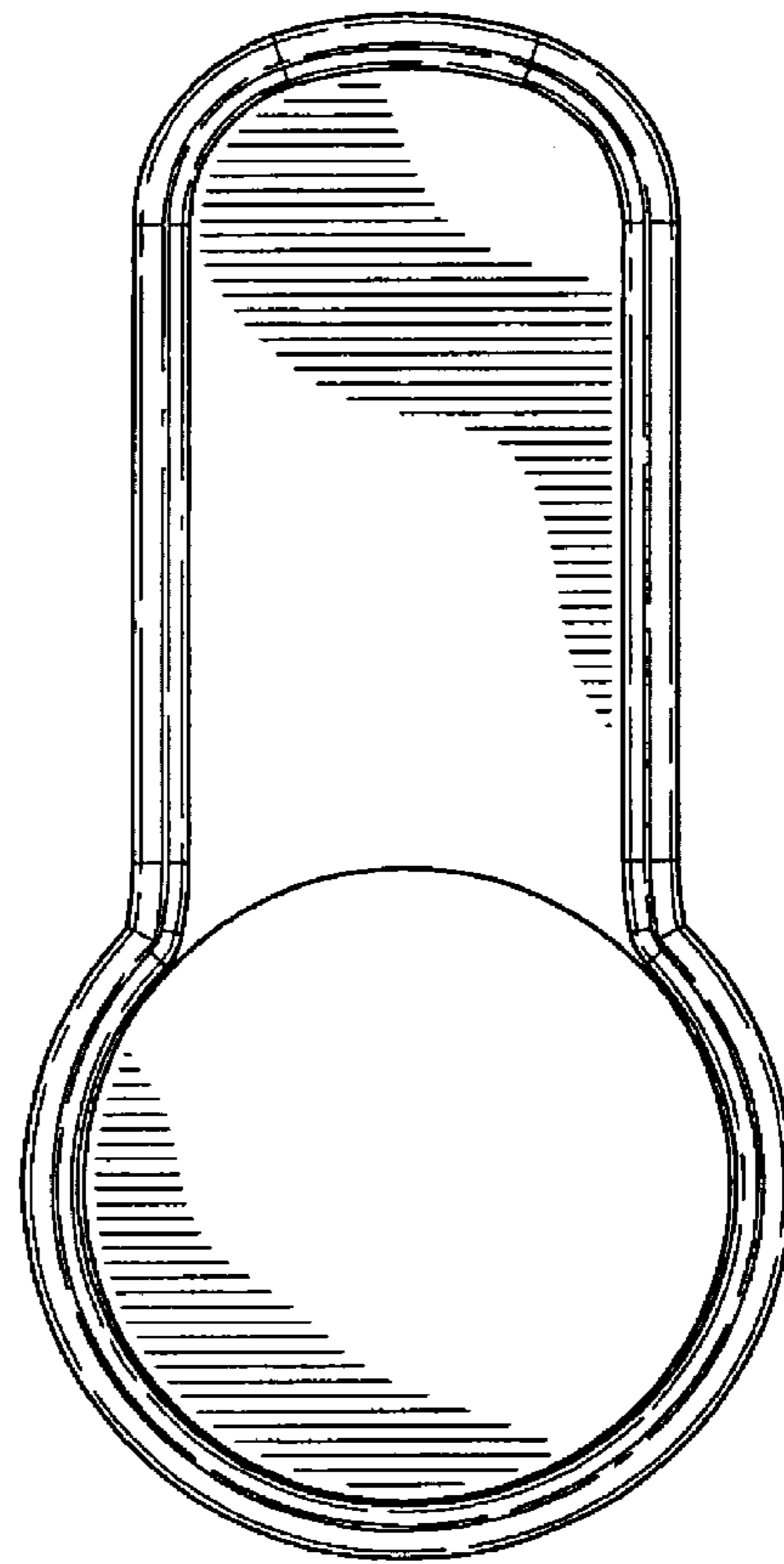


FIG-7

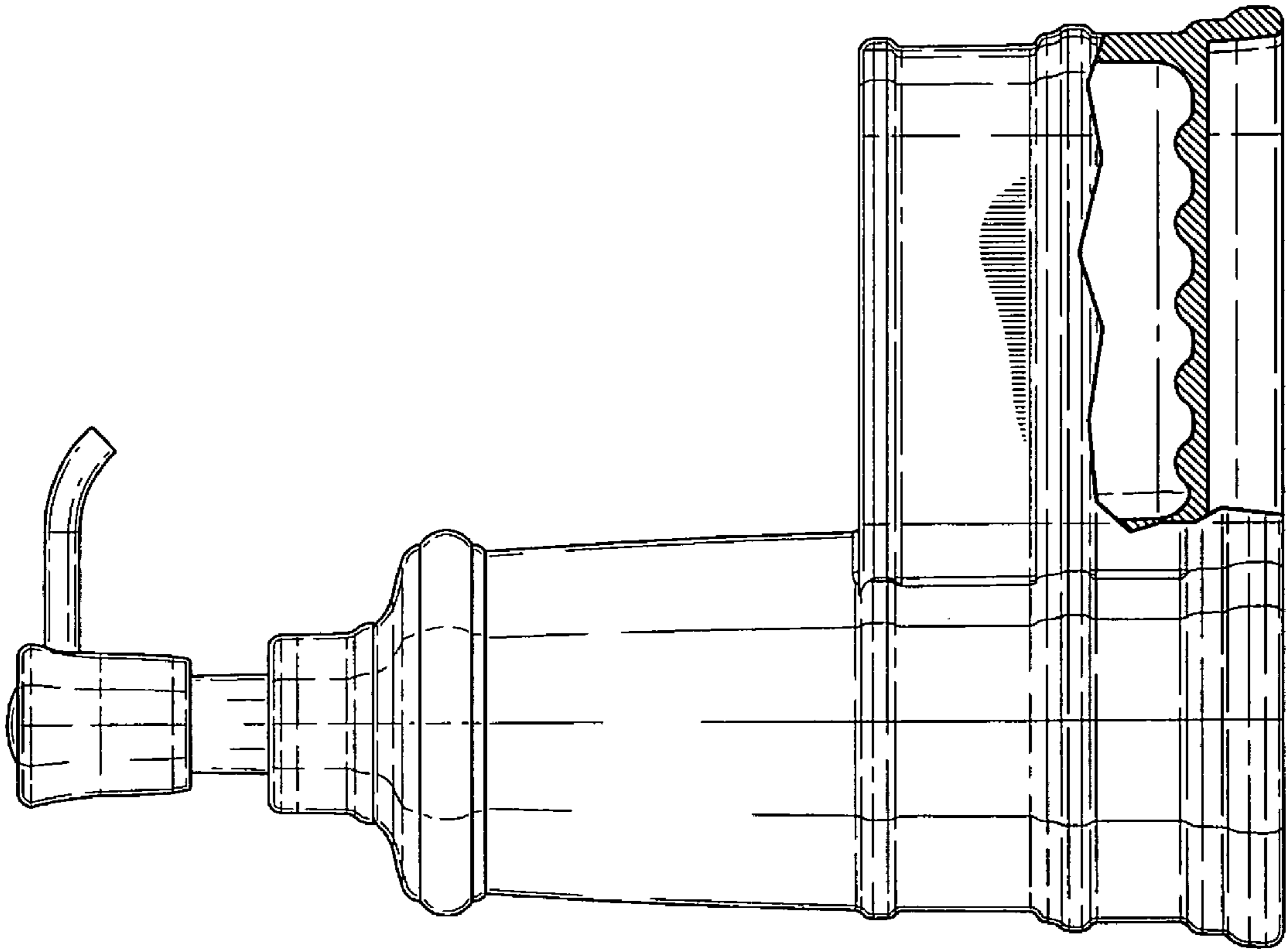


FIG-8