



US00D642837S

(12) **United States Design Patent**  
**Gray**

(10) **Patent No.:** **US D642,837 S**

(45) **Date of Patent:** **\*\* Aug. 9, 2011**

(54) **STEMWARE RACK**

(76) Inventor: **James Gray**, Gaston, SC (US)

(\*\*) Term: **14 Years**

(21) Appl. No.: **29/377,672**

(22) Filed: **Oct. 25, 2010**

**Related U.S. Application Data**

(62) Division of application No. 11/865,958, filed on Oct. 2, 2007, now abandoned.

(51) **LOC (9) Cl.** ..... **06-06**

(52) **U.S. Cl.** ..... **D6/513**

(58) **Field of Classification Search** ..... D6/512-514;  
D7/701-708; 211/13.1, 60.1, 41.2, 70.1,  
211/70.6, 71.01, 85.29, 181.1

See application file for complete search history.

3,001,678 A	9/1961	Maxwell
3,022,899 A	2/1962	Unsworth
3,171,544 A	3/1965	Unsworth
3,184,071 A	5/1965	Delaire
3,214,031 A	10/1965	Mccauley
3,224,594 A	12/1965	Schweitzer
3,243,220 A	3/1966	Karas
3,365,068 A	1/1968	Crosby
3,527,345 A	9/1970	Iorio
4,008,810 A	2/1977	Merz
4,228,905 A	10/1980	Cammarota
D259,452 S	6/1981	Hoffman
4,374,580 A	2/1983	Minor
D269,926 S	8/1983	White
4,700,849 A	10/1987	Wagner
4,905,949 A	3/1990	Cosgrove
D307,990 S	5/1990	Funk
D339,678 S	9/1993	Seamans
5,244,272 A	9/1993	Thompson
5,358,128 A	10/1994	Belokin et al.
5,586,665 A	12/1996	Brousseau

(Continued)

**FOREIGN PATENT DOCUMENTS**

GB 2035783 6/1980

*Primary Examiner* — Brian N Vinson

(74) *Attorney, Agent, or Firm* — Norris McLaughlin & Marcus, P.A.

(57) **CLAIM**

The ornamental design for a stemware rack, as shown and described.

**DESCRIPTION**

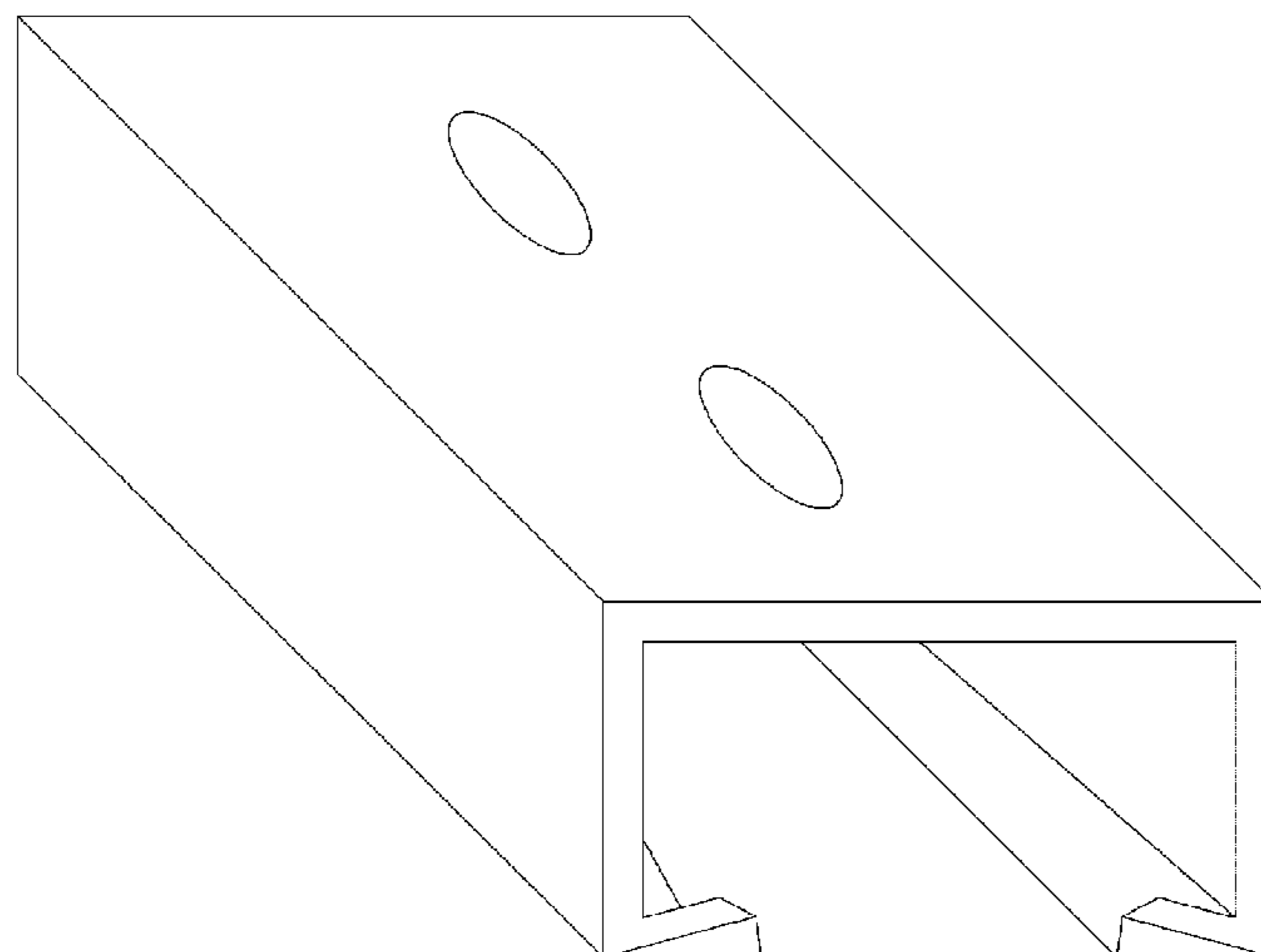
FIG. 1 is a perspective frontal view of a stemware rack;  
FIG. 2 is a side elevation view thereof;  
FIG. 3 is a top plan view thereof;  
FIG. 4 is a front elevation view thereof;  
FIG. 5 is a rear elevation view thereof; and,  
FIG. 6 is a bottom plan view thereof.

**1 Claim, 2 Drawing Sheets**

(56) **References Cited**

**U.S. PATENT DOCUMENTS**

278,161 A	5/1883	McKee
945,170 A	1/1910	Jones
1,134,277 A	4/1915	Lane
1,216,110 A	2/1917	Goodrow
1,226,192 A	5/1917	Davis
1,456,728 A	5/1923	Frank
1,462,370 A	7/1923	Lykins
1,761,218 A	6/1930	Lundy et al.
1,925,540 A	9/1933	Neuschotz
2,057,946 A	10/1936	Harris
2,138,418 A	11/1938	Fahrne
2,557,801 A	6/1951	Shapiro
2,620,691 A	12/1952	Gould
2,647,786 A	8/1953	Locke
2,693,385 A	11/1954	Cavalli
2,703,253 A	3/1955	Biederman
2,754,009 A	7/1956	Kennedy
2,757,804 A	8/1956	Sadwin
2,852,327 A	9/1958	Mason



# US D642,837 S

Page 2

---

## U.S. PATENT DOCUMENTS

5,706,958 A	1/1998	Spamer	5,964,359 A	10/1999	Marino, Jr.
5,706,978 A	1/1998	Spamer et al.	6,059,125 A	5/2000	Parham
5,718,341 A	2/1998	Robertson	6,212,793 B1	4/2001	Goad
5,878,894 A	3/1999	Robertson	6,360,901 B1	3/2002	Parham
5,957,327 A	9/1999	Whiten	6,631,812 B2	10/2003	Ruiz
			6,840,592 B2	1/2005	Kalieta et al.
			2007/0228242 A1	10/2007	Martin

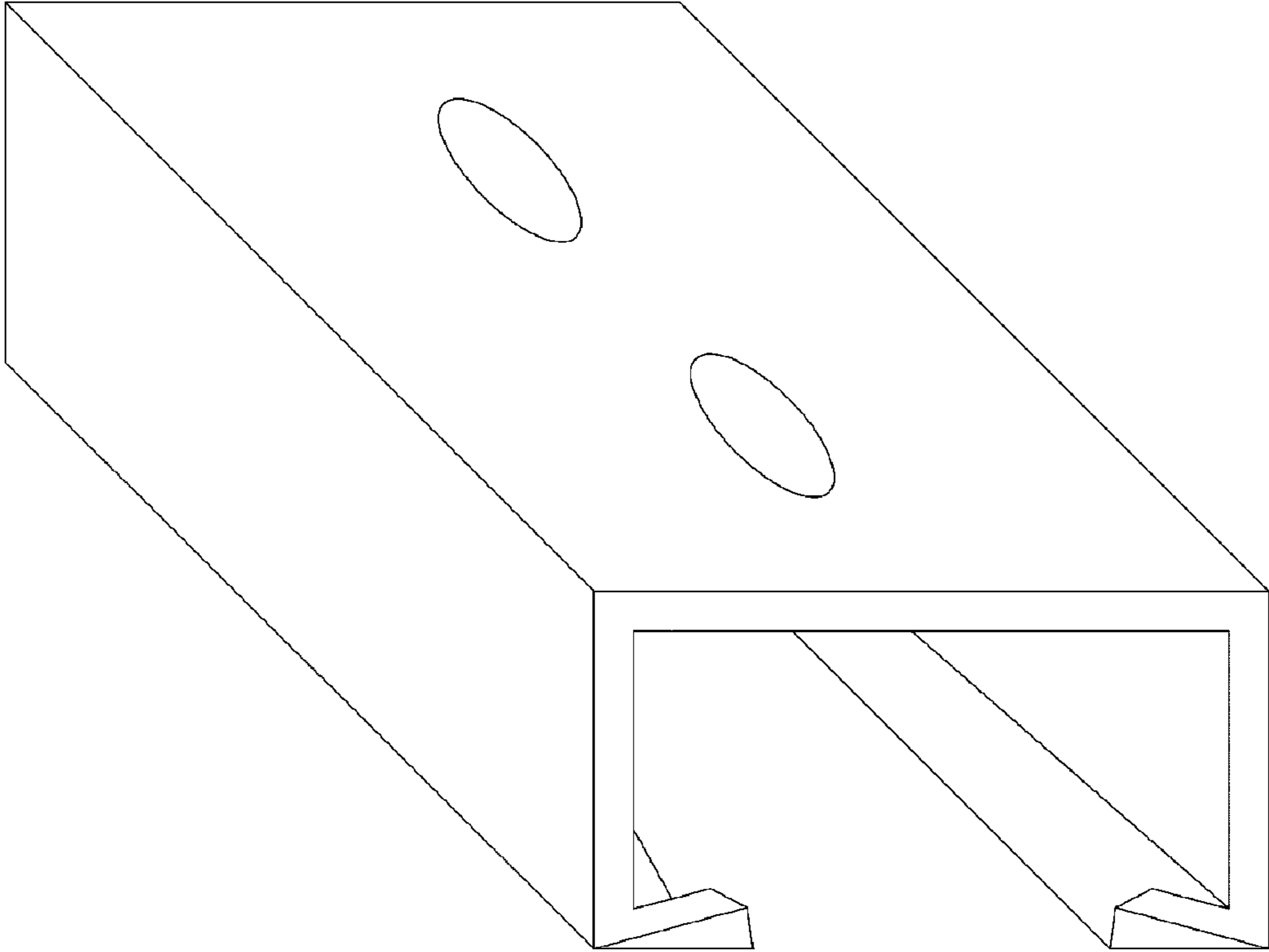


Figure 1

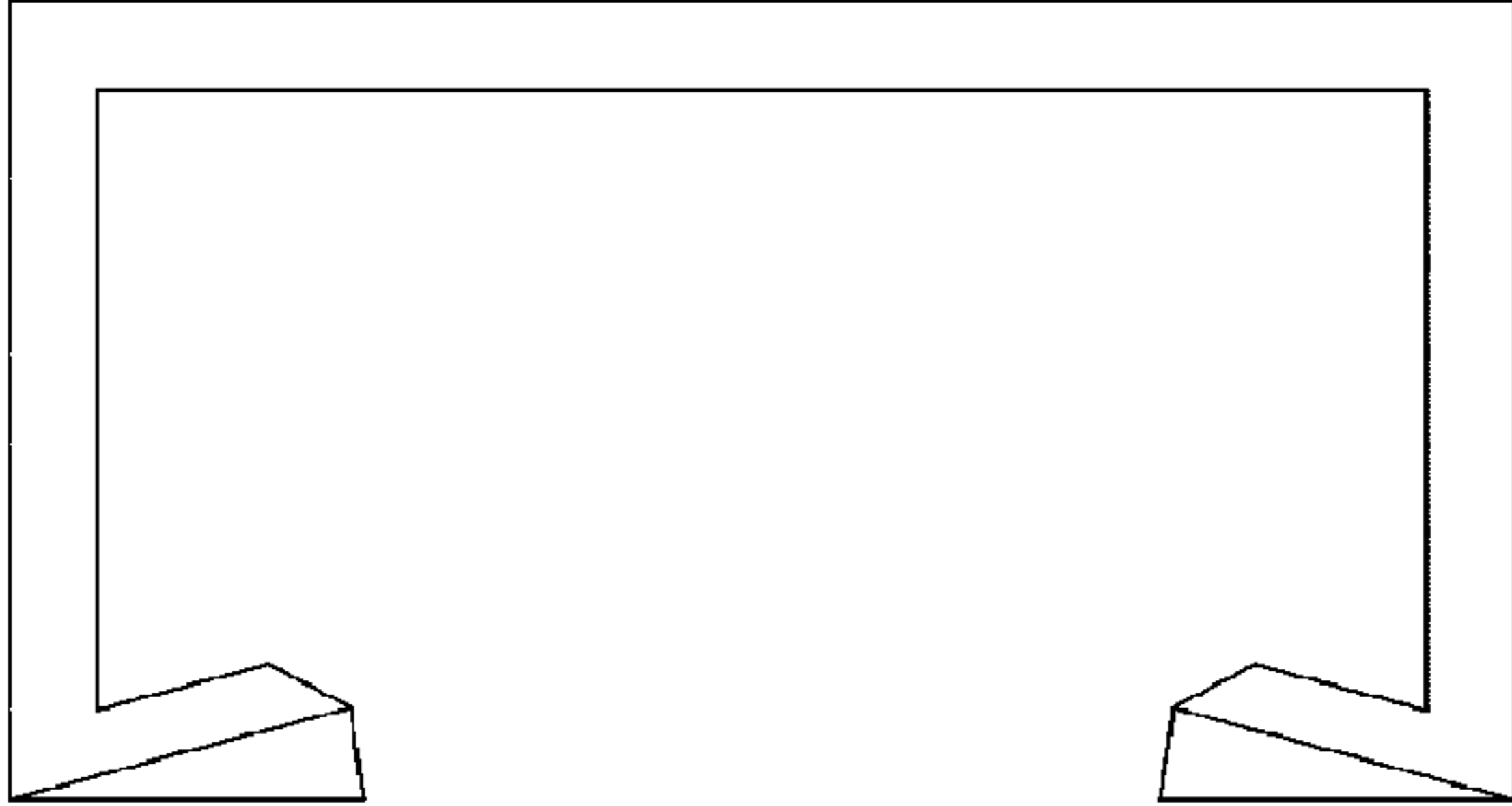


Figure 2

FIG. 4



FIG. 3

FIG. 5



FIG. 6

