



US00D642832S

(12) **United States Design Patent**
Saito

(10) **Patent No.:** **US D642,832 S**

(45) **Date of Patent:** **** Aug. 9, 2011**

(54) **OFF-CENTER TABLE LEG**

(75) Inventor: **Takayuki Saito**, Kasugai (JP)

(73) Assignee: **Aichi Co., Ltd.**, Nagoya-shi (JP)

(**) Term: **14 Years**

(21) Appl. No.: **29/357,679**

(22) Filed: **Mar. 16, 2010**

(30) **Foreign Application Priority Data**

Sep. 16, 2009 (JP) 2009-021434

(51) **LOC (9) Cl.** **06-06**

(52) **U.S. Cl.** **D6/495**

(58) **Field of Classification Search** D6/480-489,
D6/495-499, 429-431, 451; 108/153.1,
108/156, 157.1, 161; 248/188, 188.1, 188.7,
248/188.8

See application file for complete search history.

(56) **References Cited**

U.S. PATENT DOCUMENTS

D325,833 S * 5/1992 Saotome D6/484
D332,887 S * 2/1993 Fjello-Jensen D6/496
D512,589 S * 12/2005 Montague, III D6/499
D552,883 S * 10/2007 Saotome D6/480

FOREIGN PATENT DOCUMENTS

JP 920294 2/1995
JP 1358131 5/2009

* cited by examiner

Primary Examiner — Janice Seeger

(74) *Attorney, Agent, or Firm* — Edwards Angell Palmer & Dodge LLP

(57) **CLAIM**

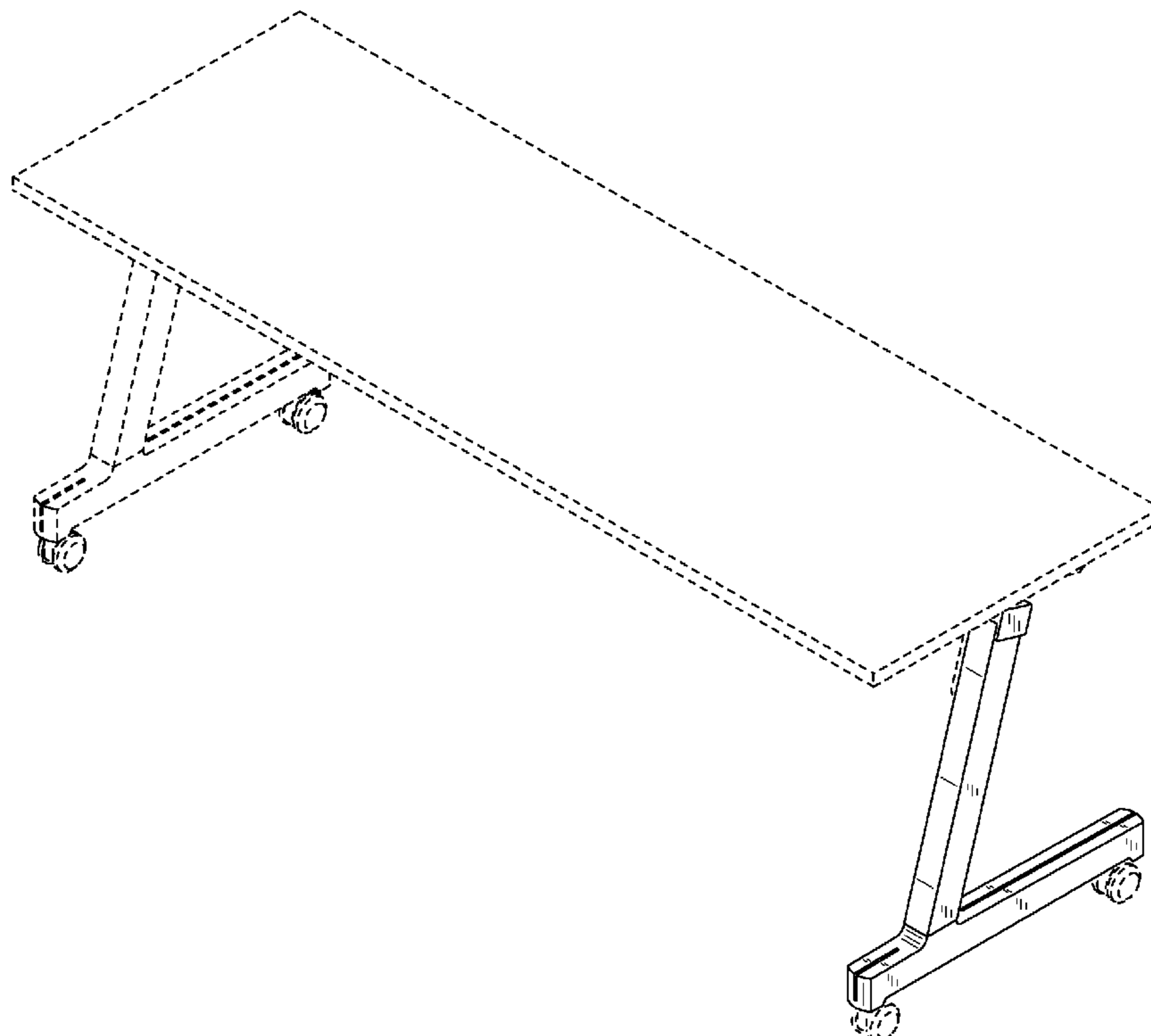
The ornamental design for a off-center table leg, as shown and described.

DESCRIPTION

FIG. 1 is a perspective view of the off-center table leg;
FIG. 2 is a front view thereof;
FIG. 3 is a back view thereof;
FIG. 4 is a left view thereof;
FIG. 5 is a right view thereof;
FIG. 6 is a top view thereof;
FIG. 7 is a bottom view thereof;
FIG. 8 is a left side elevational view showing the table leg in an alternate environment;
FIG. 9 is a rear elevational view showing the table leg in an alternate environment;
FIG. 10 is a cross-sectional view along the line 10—10 in FIG. 2;
FIG. 11 is a cross-sectional view along the line 11—11 in FIG. 2; and,
FIG. 12 is a perspective view of thereof without surrounding structures.

The broken lines are for environmental purposes only and form no part of the claimed design.

1 Claim, 10 Drawing Sheets



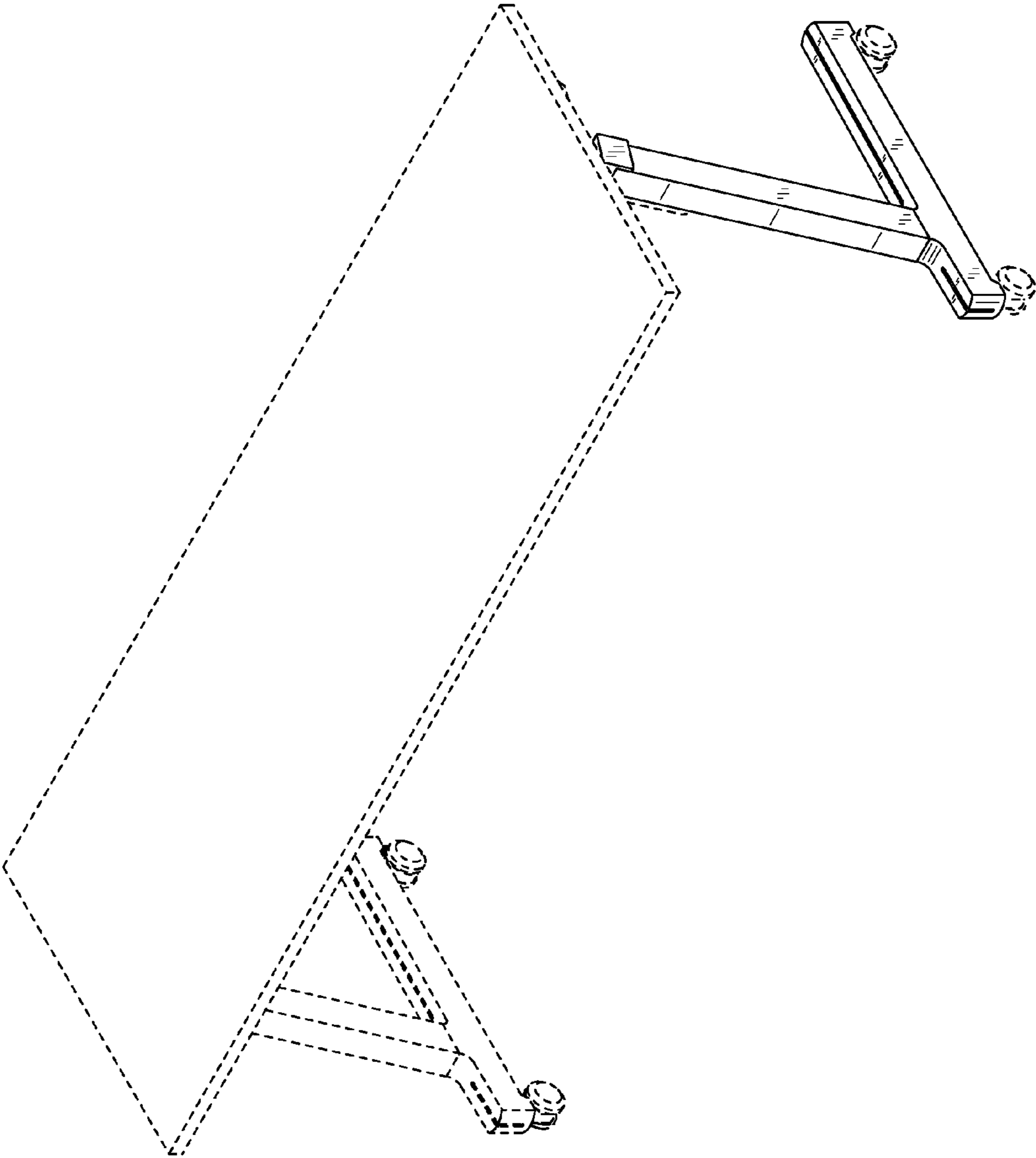


FIG.1

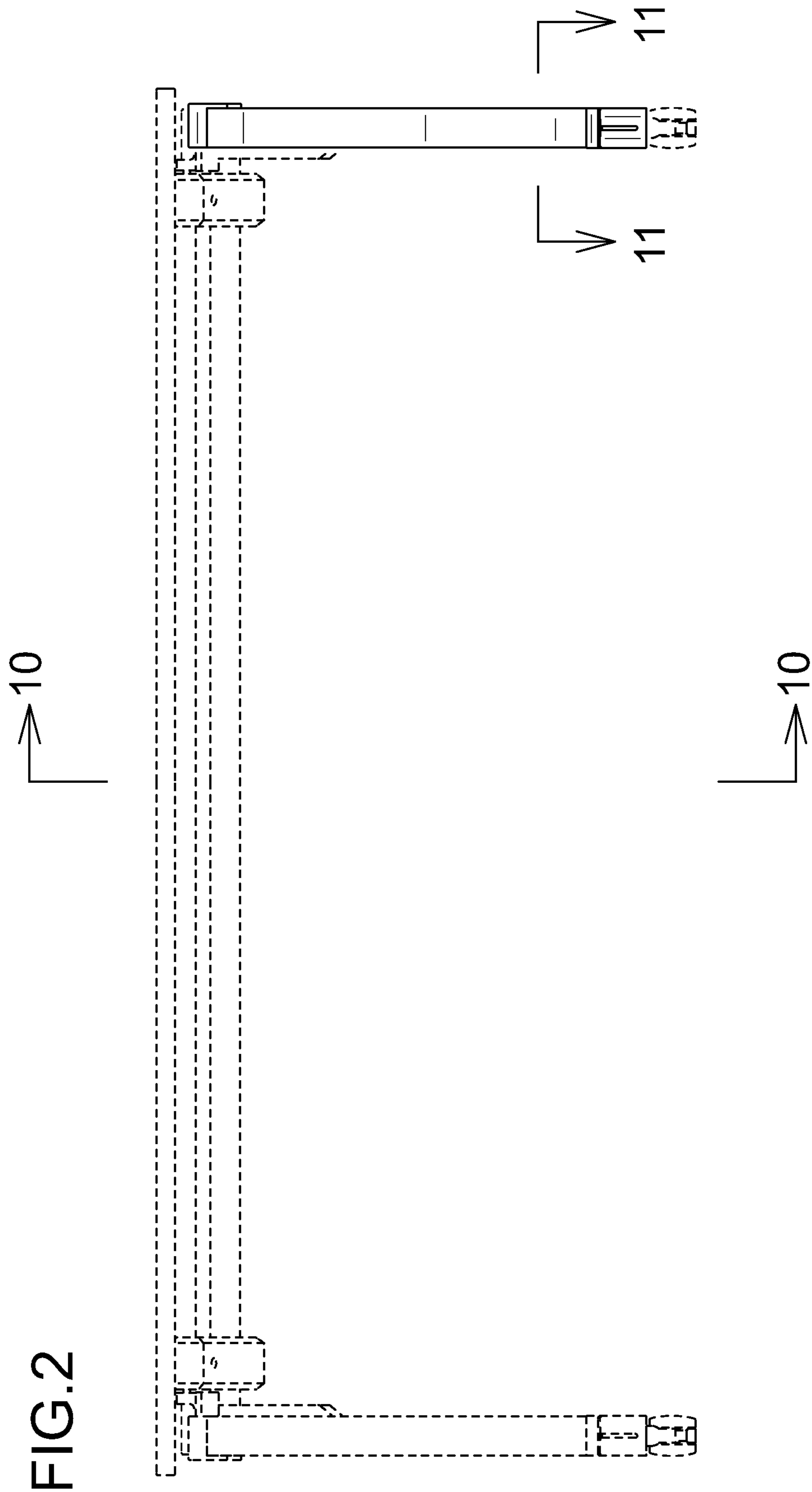


FIG. 3



FIG.5

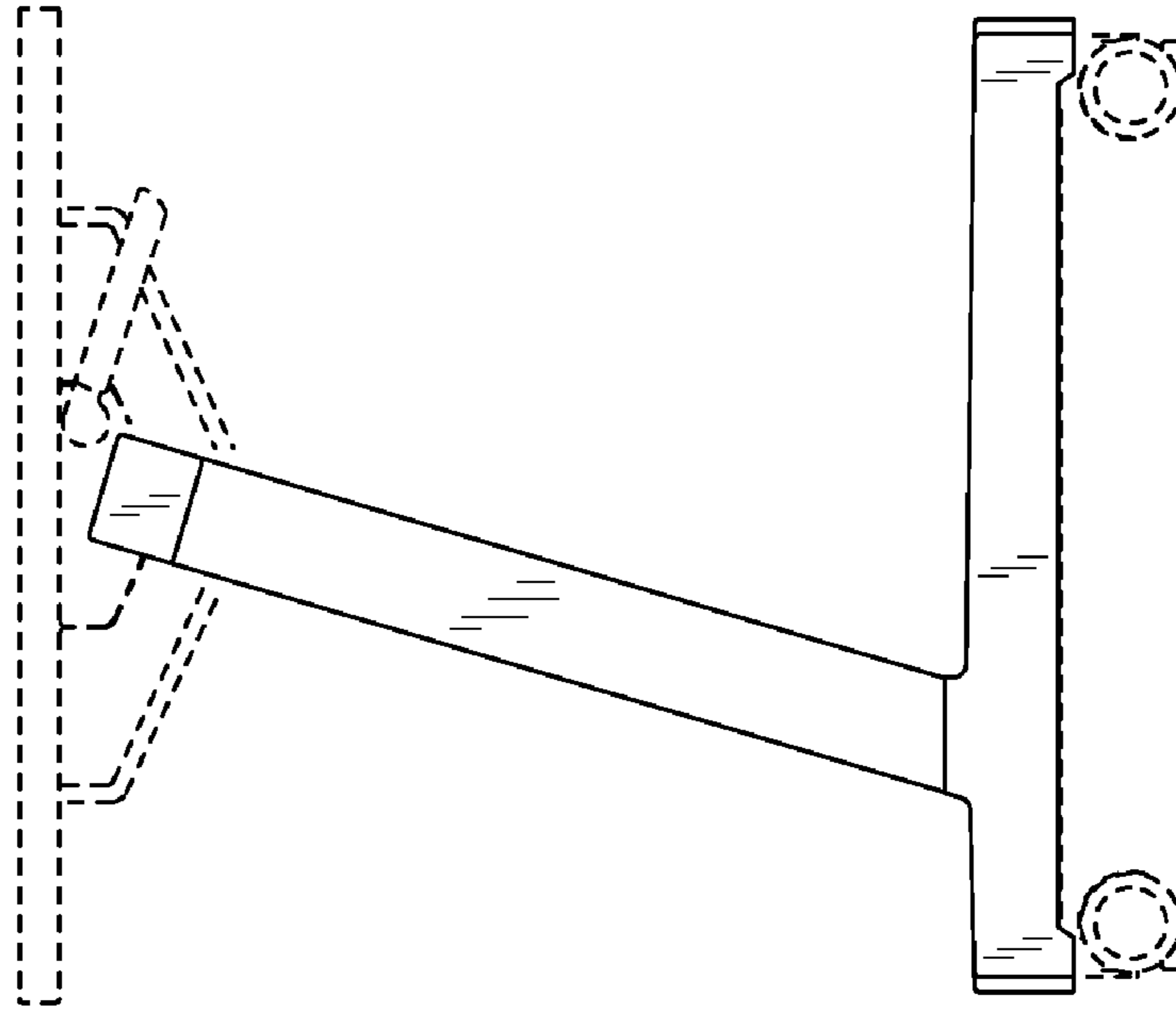


FIG.4

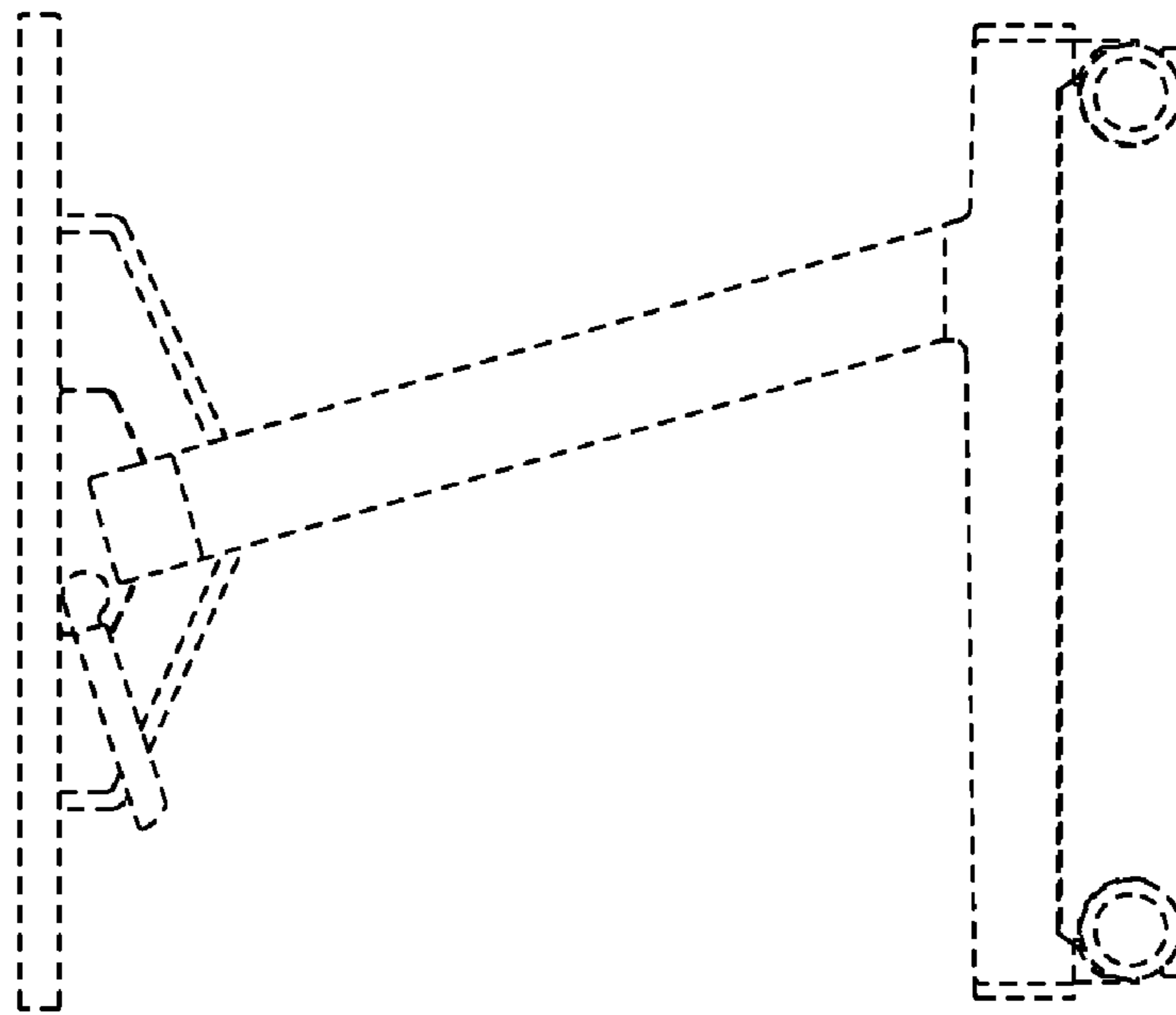


FIG.6

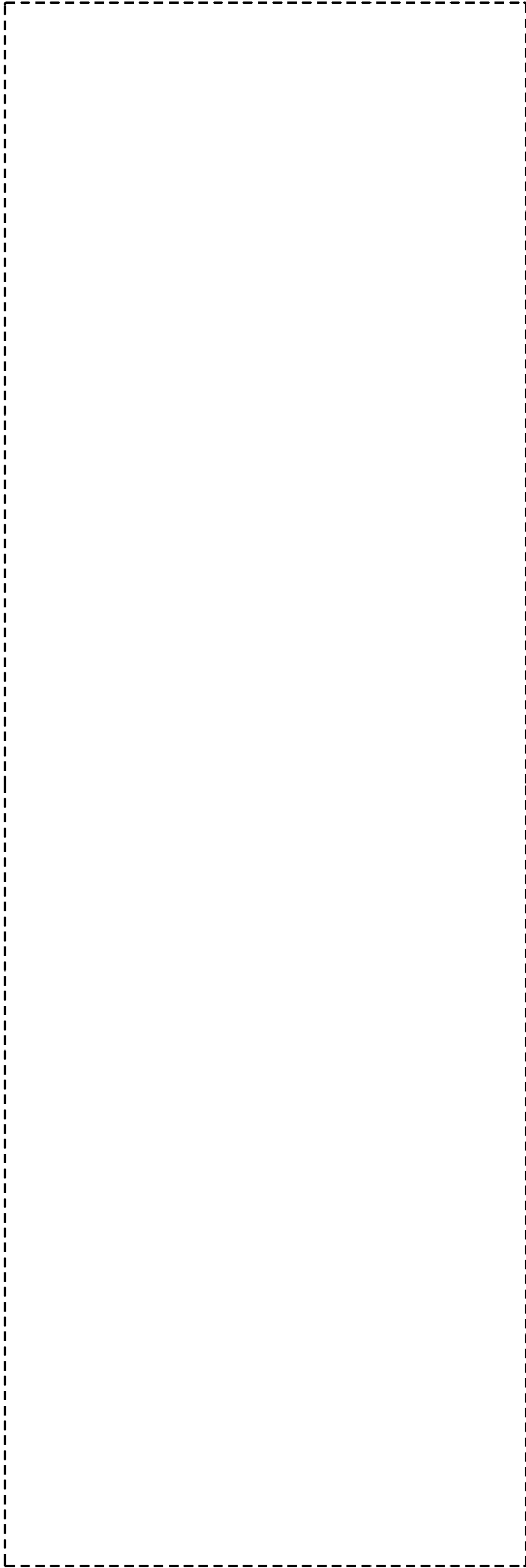


FIG.7

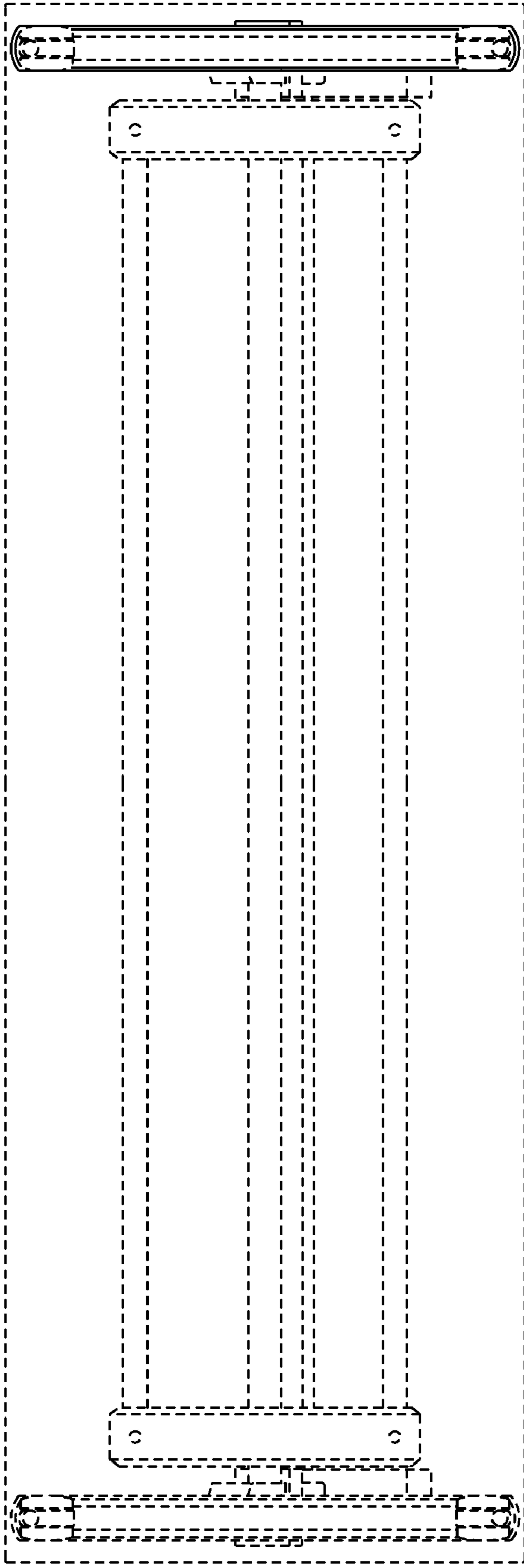


FIG. 8

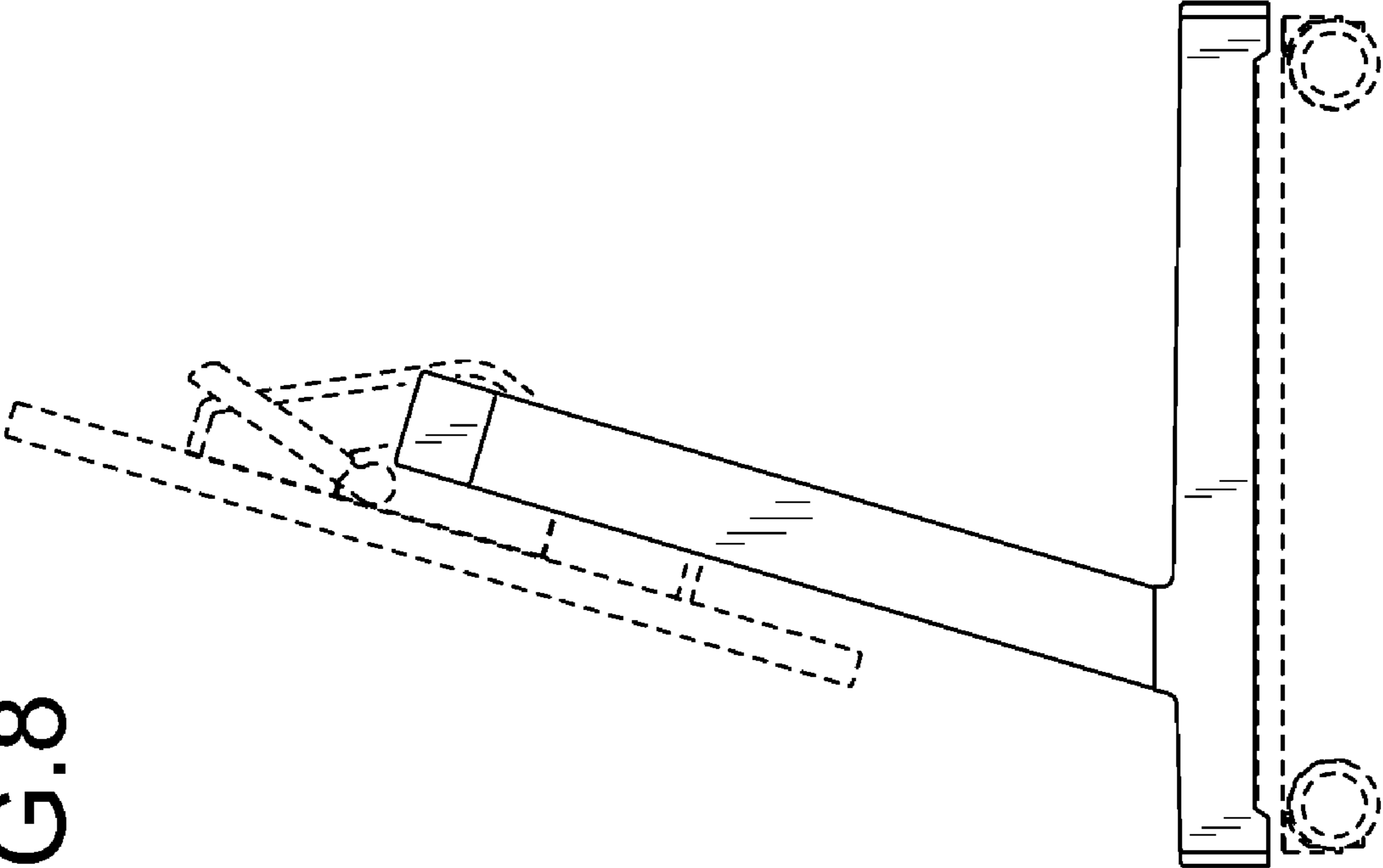


FIG. 9

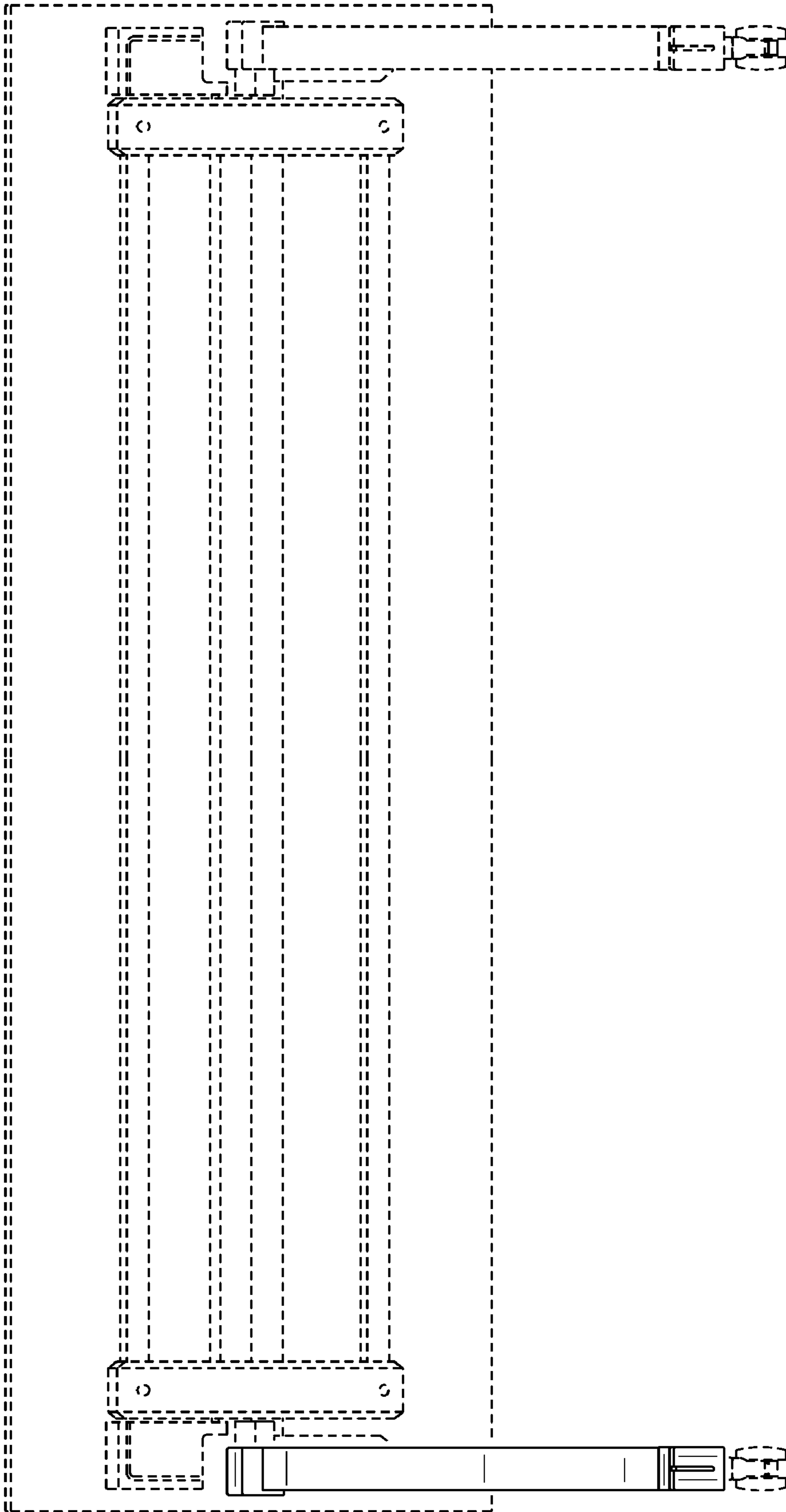


FIG.11

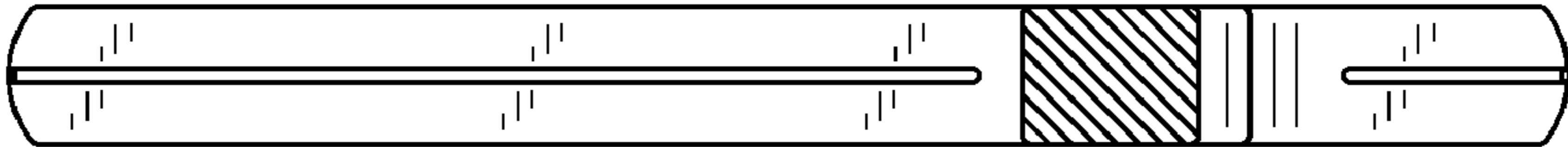
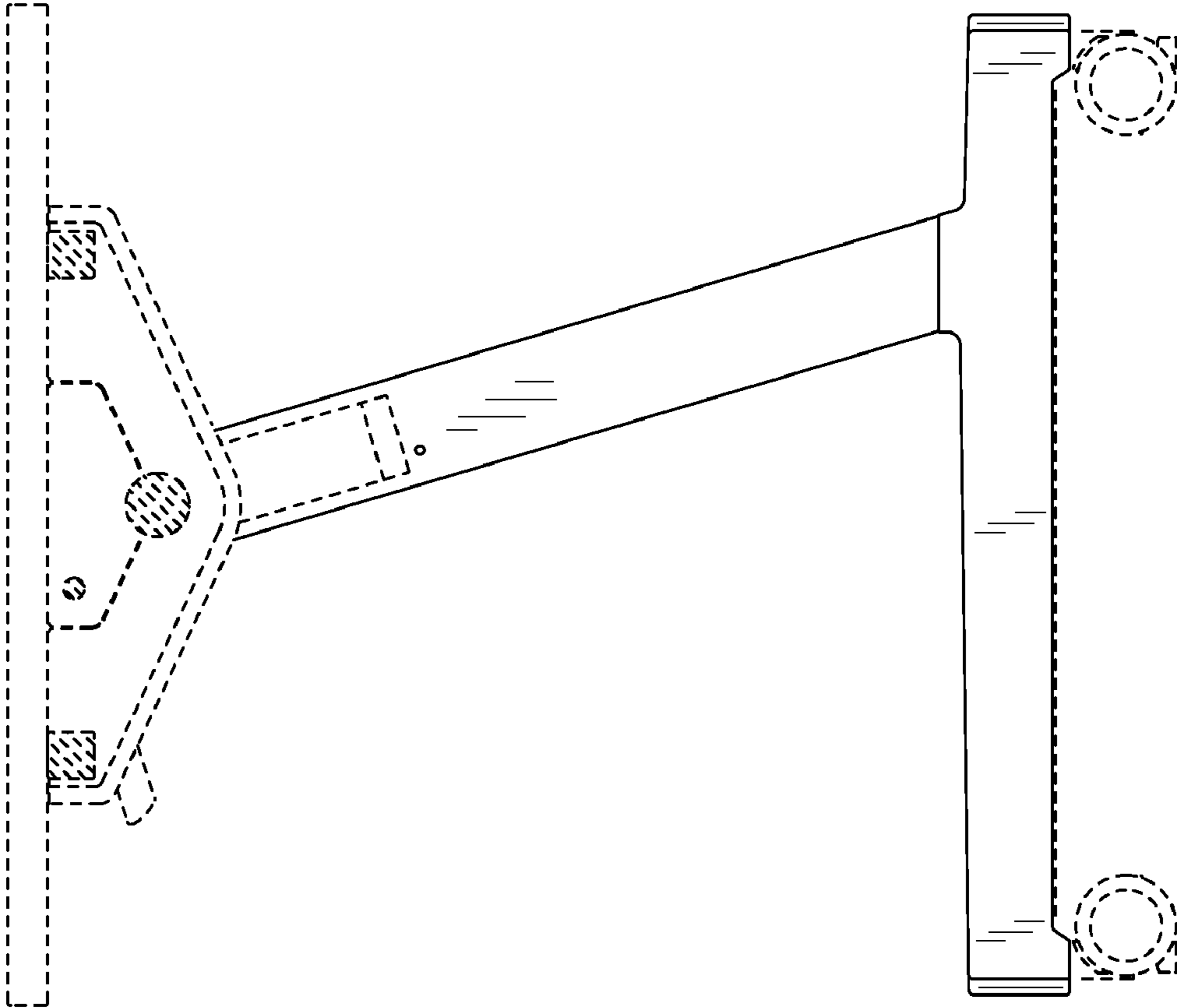


FIG.10



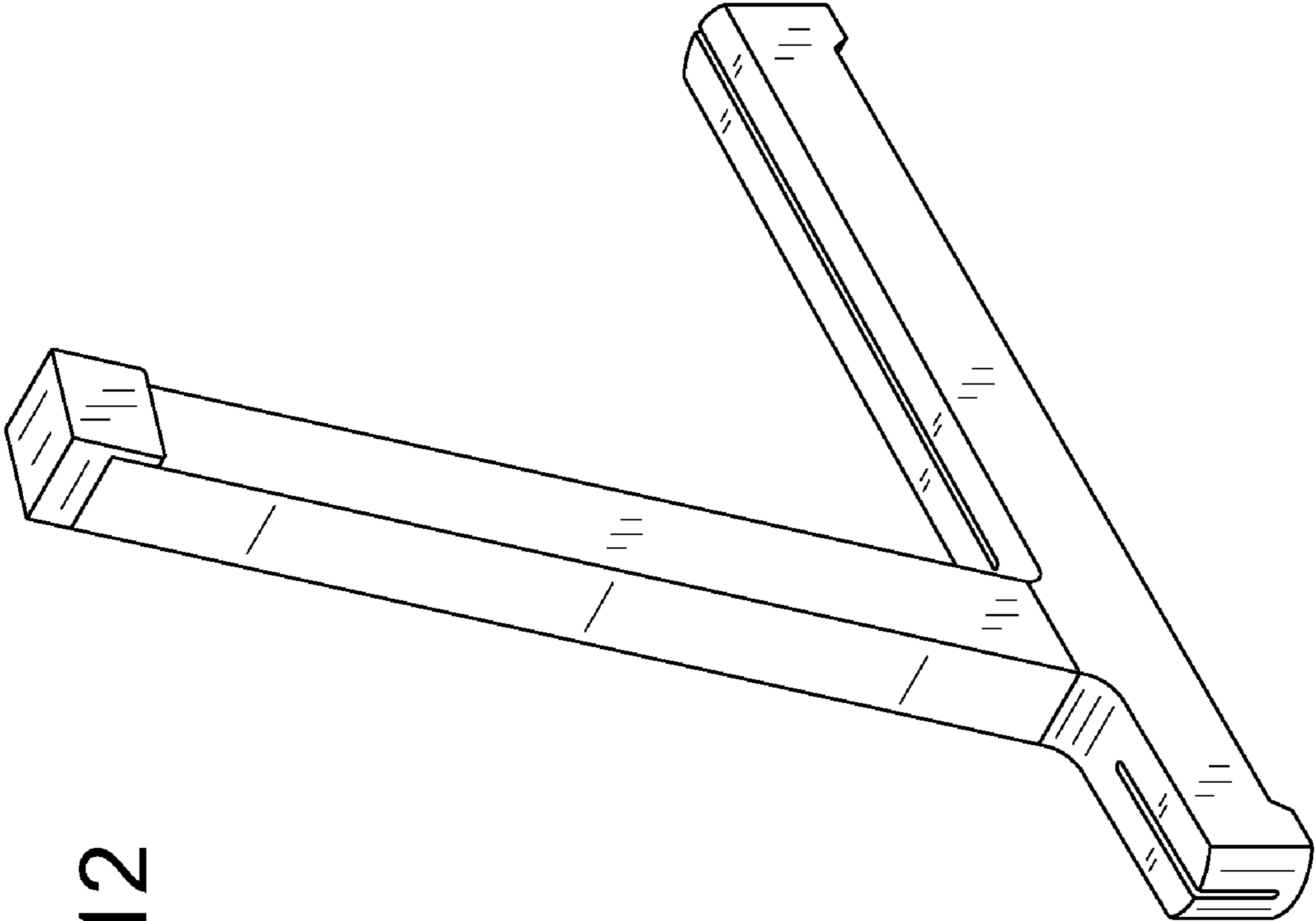


FIG.12