



US00D642831S

(12) **United States Design Patent**
Killian

(10) **Patent No.:** **US D642,831 S**

(45) **Date of Patent:** **** Aug. 9, 2011**

(54) **FURNITURE PANEL**

(75) **Inventor:** **Leslie Deames Killian**, Hickory, NC
(US)

(73) **Assignee:** **Broyhill Furniture Industries, Inc.**,
Lenoir, NC (US)

(**) **Term:** **14 Years**

(21) **Appl. No.:** **29/316,883**

(22) **Filed:** **Nov. 10, 2009**

(51) **LOC (9) Cl.** **06-06**

(52) **U.S. Cl.** **D6/494**

(58) **Field of Classification Search** D6/432-448,
D6/470, 491, 492, 494, 509, 510; D25/48;
312/107, 109, 114, 138.1, 224, 237, 245,
312/257.1, 265.3, 265.6, 278, 279

See application file for complete search history.

(56) **References Cited**

U.S. PATENT DOCUMENTS

2,889,586	A *	6/1959	Akerberg	D25/48
D232,894	S *	9/1974	Dillen	D6/494
D282,426	S *	2/1986	Heimberger et al.	D6/492
4,853,062	A *	8/1989	Gartland	D6/492
D338,718	S *	8/1993	Izzo	D25/48
D339,939	S *	10/1993	Brandon	D6/492
D392,127	S *	3/1998	Paus	D6/492
D472,407	S *	4/2003	Lenger	D6/494

D492,141	S *	6/2004	Brandon	D6/494
D588,383	S *	3/2009	Thompson	D6/494
D597,682	S *	8/2009	Amato	D25/48
D611,274	S *	3/2010	Weaver et al.	D6/492

OTHER PUBLICATIONS

Color Photograph of furniture panel shown in catalog (source unknown).

* cited by examiner

Primary Examiner — Mimosa De

(74) *Attorney, Agent, or Firm* — Kilpatrick Townsend & Stockton LLP

(57) **CLAIM**

I claim: The ornamental design for a furniture panel, as shown and described.

DESCRIPTION

FIG. 1 is a perspective view of a furniture panel, showing my new design.

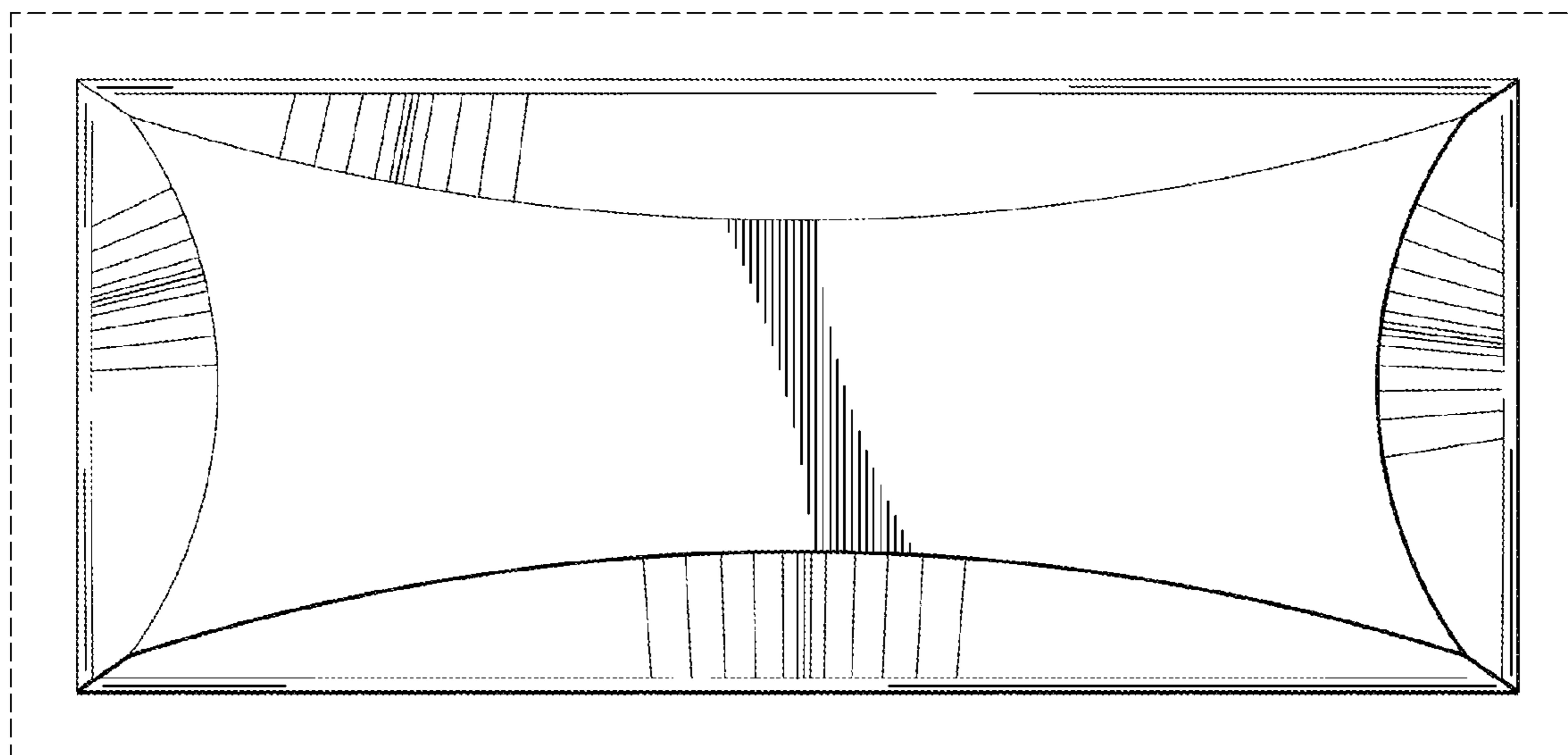
FIG. 2 is a front elevation view of the furniture panel of FIG. 1.

FIG. 3 is a top view of the furniture panel of FIG. 1, the bottom view being a mirror image of the top view; and,

FIG. 4 is a right side elevation view of the furniture panel of FIG. 1, the left side elevation being a mirror image of the right side elevation view.

In the drawings, the broken lines form no part of the claimed design.

1 Claim, 1 Drawing Sheet



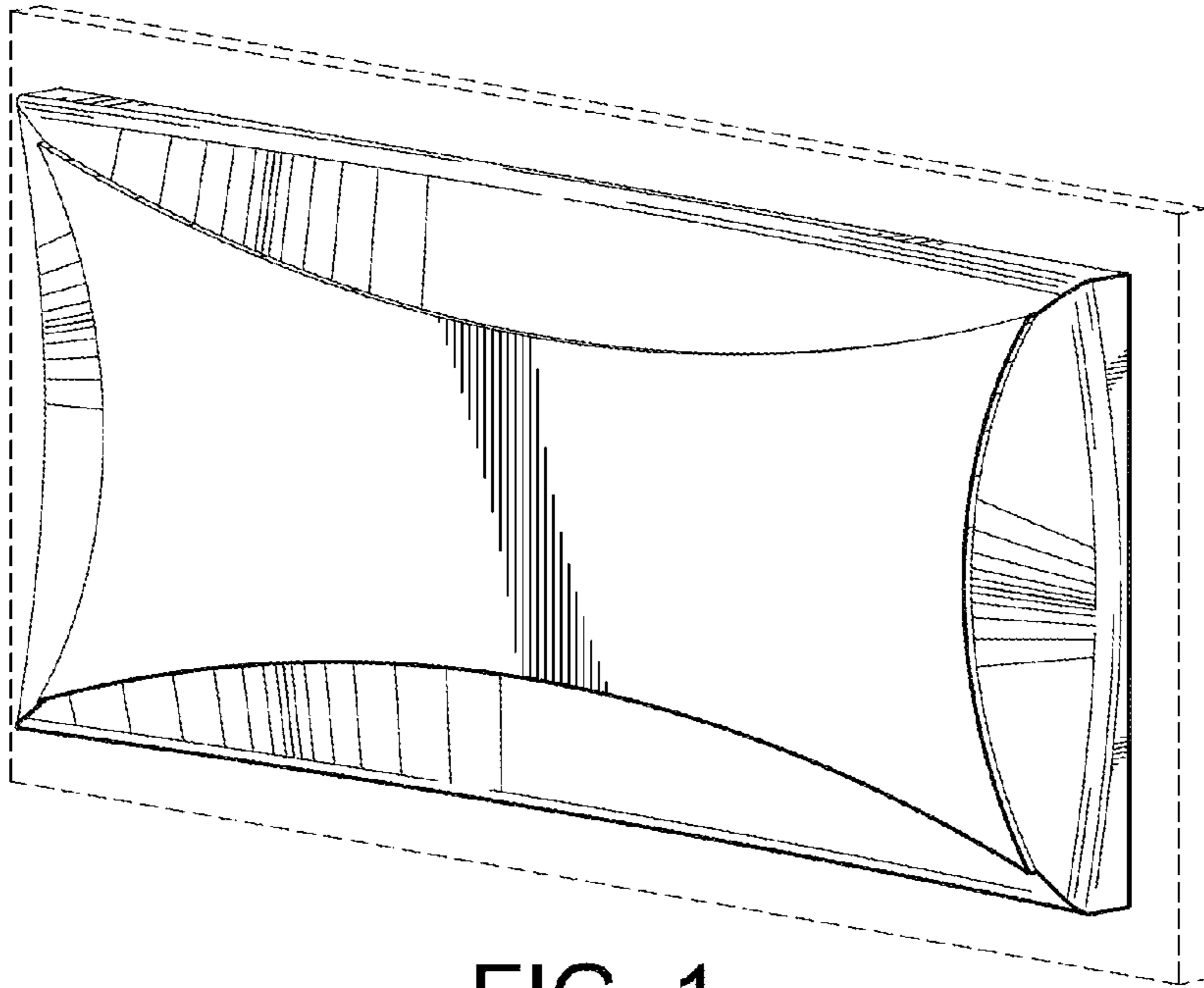


FIG. 1

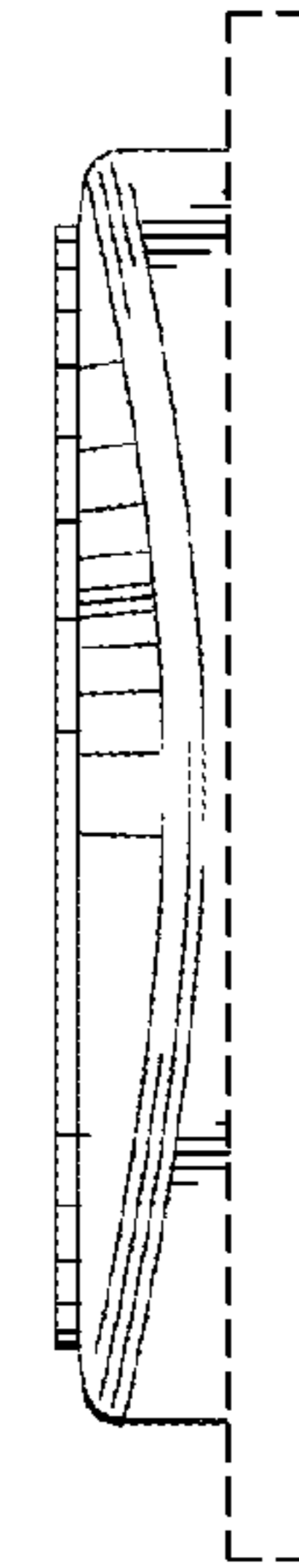


FIG. 4

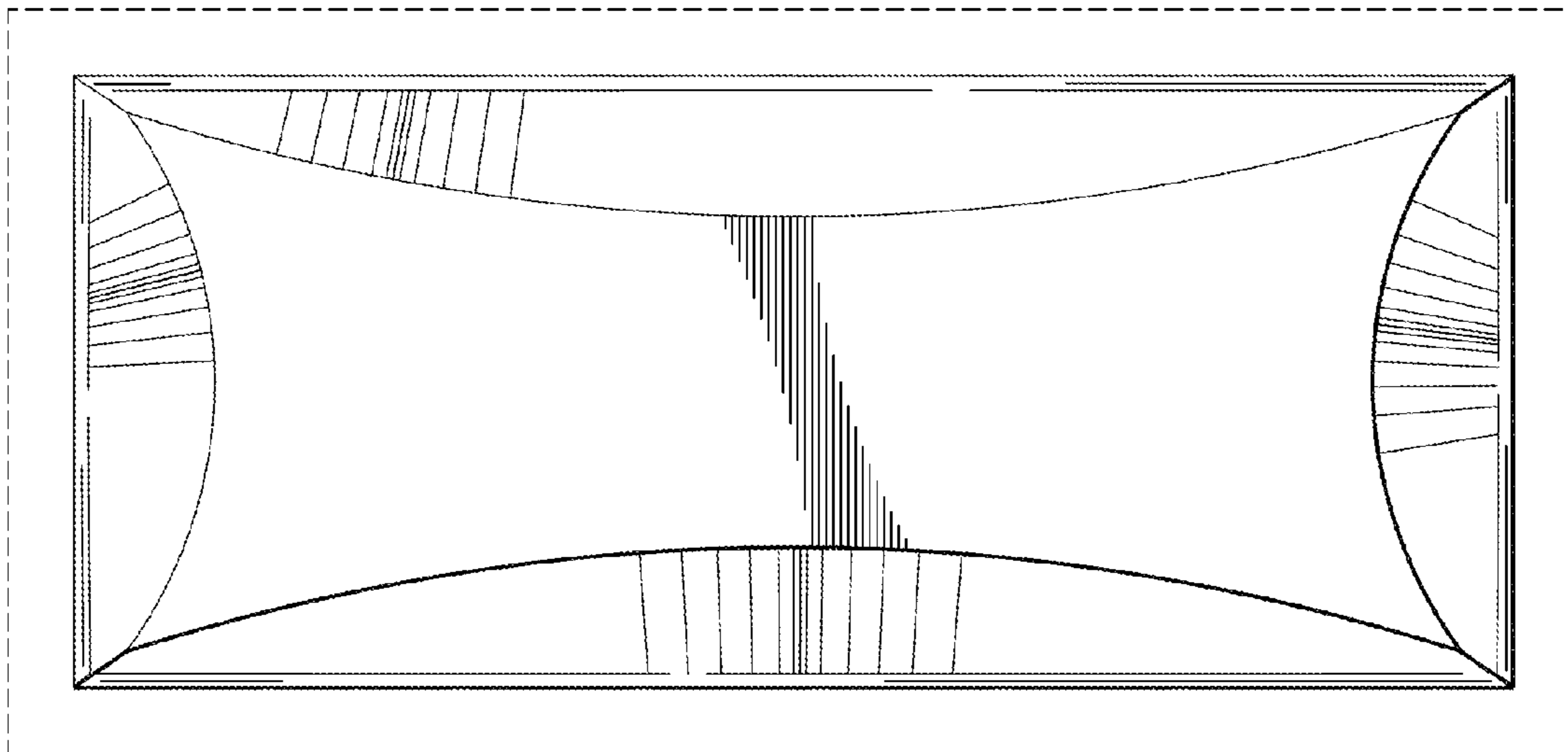


FIG. 2



FIG. 3