



US00D642827S

(12) **United States Design Patent**  
**Poost et al.**

(10) **Patent No.:** **US D642,827 S**  
(45) **Date of Patent:** **\*\* Aug. 9, 2011**

(54) **MULTI-CONFIGURATION TABLE SET**

(76) Inventors: **Michael Poost**, West Sand Lake, NY (US); **Alejandro A. Stivala**, Niskayuna, NY (US); **John Adams**, Saratoga Springs, NY (US)

(\*\*) Term: **14 Years**

(21) Appl. No.: **29/355,229**

(22) Filed: **Feb. 4, 2010**

(51) **LOC (9) Cl.** ..... **06-03**

(52) **U.S. Cl.** ..... **D6/480**

(58) **Field of Classification Search** ..... D6/480-489, D6/495-499, 429-431, 451; 108/153.1, 108/156, 157.1, 161, 50.01, 50.02, 64, 69, 108/77, 167; 248/188, 188.1, 188.7, 188.8  
See application file for complete search history.

(56) **References Cited**

**U.S. PATENT DOCUMENTS**

2,603,500	A *	7/1952	Messier	280/30
D269,753	S *	7/1983	Offredi	D6/430
D277,056	S *	1/1985	Nicholson	D6/420
D293,172	S *	12/1987	Weiss	D6/429
D415,369	S	10/1999	Laney	
6,000,343	A	12/1999	Laney	
D424,325	S *	5/2000	Iannaccone	D6/429
D615,779	S *	5/2010	Hernandez et al.	D6/480
D618,473	S *	6/2010	Hernandez et al.	D6/480

**OTHER PUBLICATIONS**

Lily Lanthier, Canadian Intellectual Property Office, "Application for Registration of an Industrial Design Examiner's Report", Application No. 135890, Dated Aug. 24, 2010, 2 pages.

\* cited by examiner

*Primary Examiner* — Janice Seeger

(74) *Attorney, Agent, or Firm* — John W. LaBatt; Hoffman Warnick LLC

(57) **CLAIM**

The ornamental design for the multi-configuration table set, as shown and described.

**DESCRIPTION**

FIG. 1 is an isometric view of a multi-configuration room including a first table (bottom) and a second table (top) in a first configuration.

FIG. 2 is a plan view of the multi-configuration room including the first table (bottom) and the second table (top) in the first configuration.

FIG. 3 is a side view of the multi-configuration room including the first table (left) and the second table (right) in the first configuration.

FIG. 4 is an isometric view of the multi-configuration room including the first table (bottom) and the second table (top) in a second configuration.

FIG. 5 is a plan view of the multi-configuration room including the first table (bottom) and the second table (top) in the second configuration.

FIG. 6 is a side view of the multi-configuration room including the first table (left) and the second table (right) in the second configuration.

FIG. 7 is an isometric view of the first multi-configuration table in the first configuration.

FIG. 8 is an isometric view of the first multi-configuration table in the second configuration.

FIG. 9 is a plan view of the first multi-configuration table in the first configuration.

FIG. 10 is a front view of the first multi-configuration table in the first and second configurations.

FIG. 11 is a side view of the first multi-configuration table in the first configuration.

FIG. 12 is a rear view of the first multi-configuration table in the first configuration.

FIG. 13 is a rear view of the first multi-configuration table in the second configuration.

FIG. 14 is an isometric view of the second multi-configuration table in the first configuration.

FIG. 15 is an isometric view of the second multi-configuration table in the second configuration.

FIG. 16 is a plan view of the second multi-configuration table in the first configuration.

FIG. 17 is a front view of the second multi-configuration table in the first configuration.

FIG. 18 is a front view of the second multi-configuration table in the second configuration.

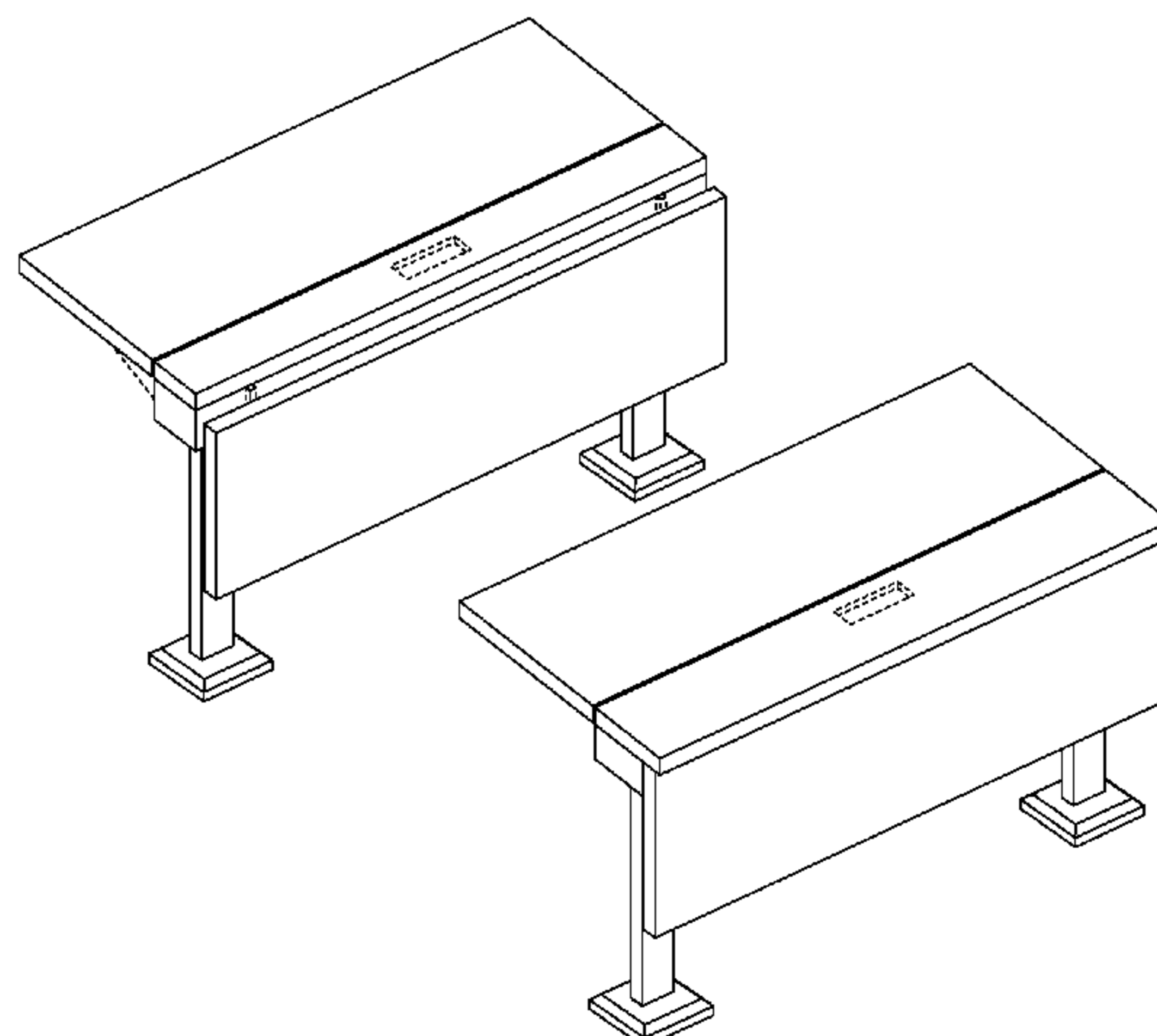
FIG. 19 is a side view of the second multi-configuration table in the first configuration; and,

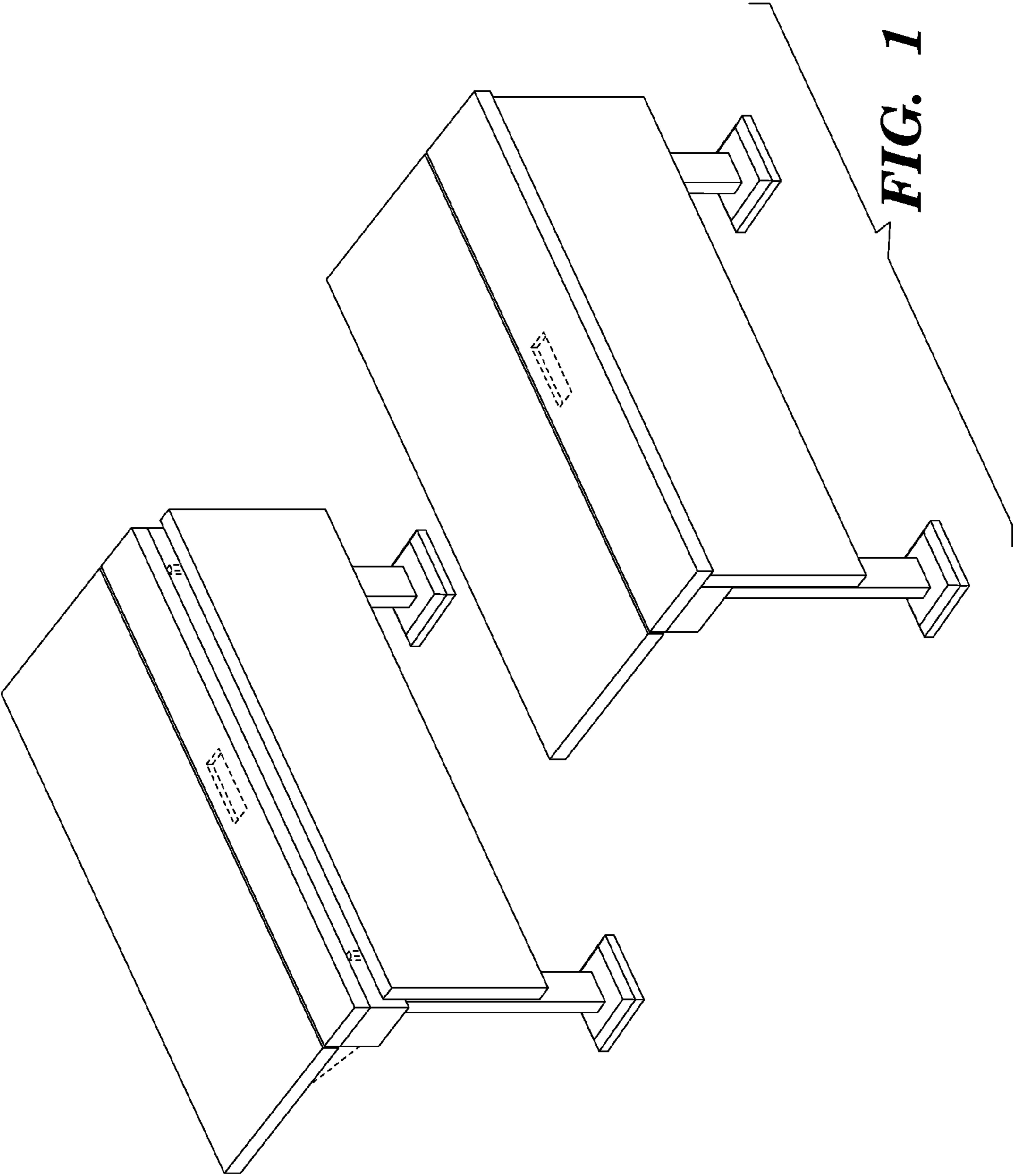
FIG. 20 is a rear view of the second multi-configuration table in the first configuration.

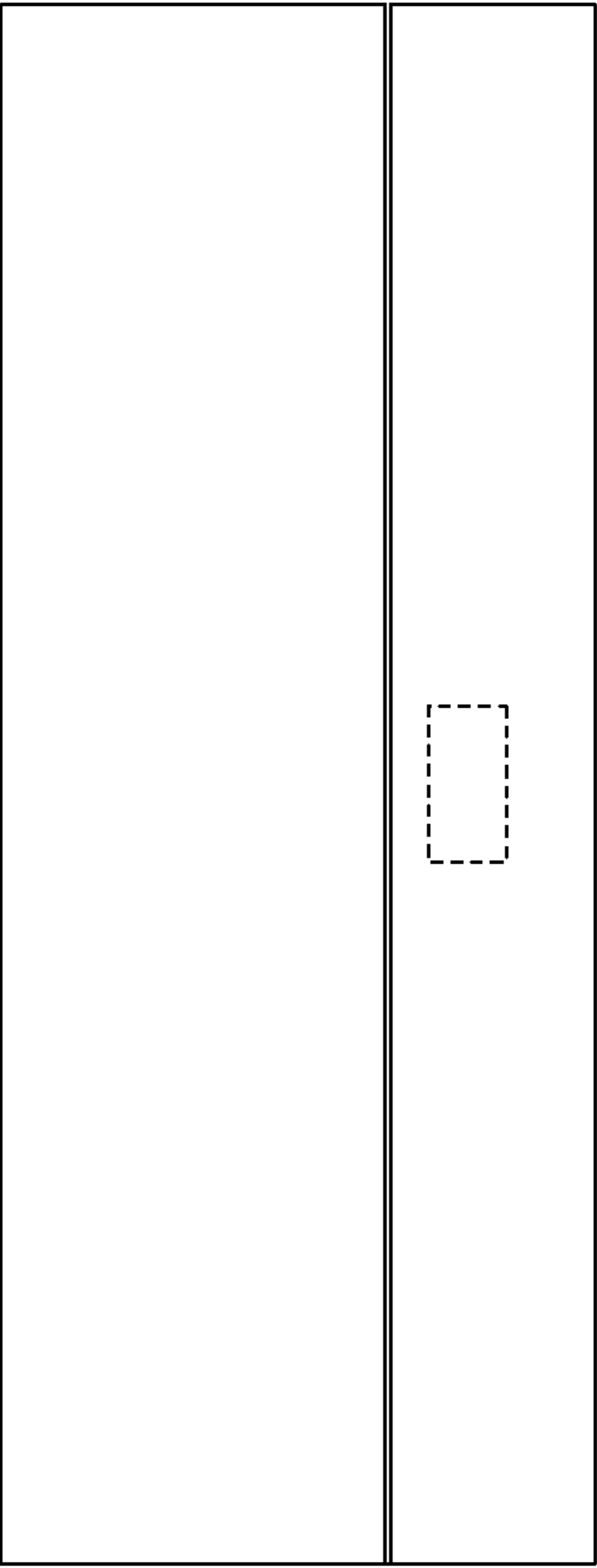
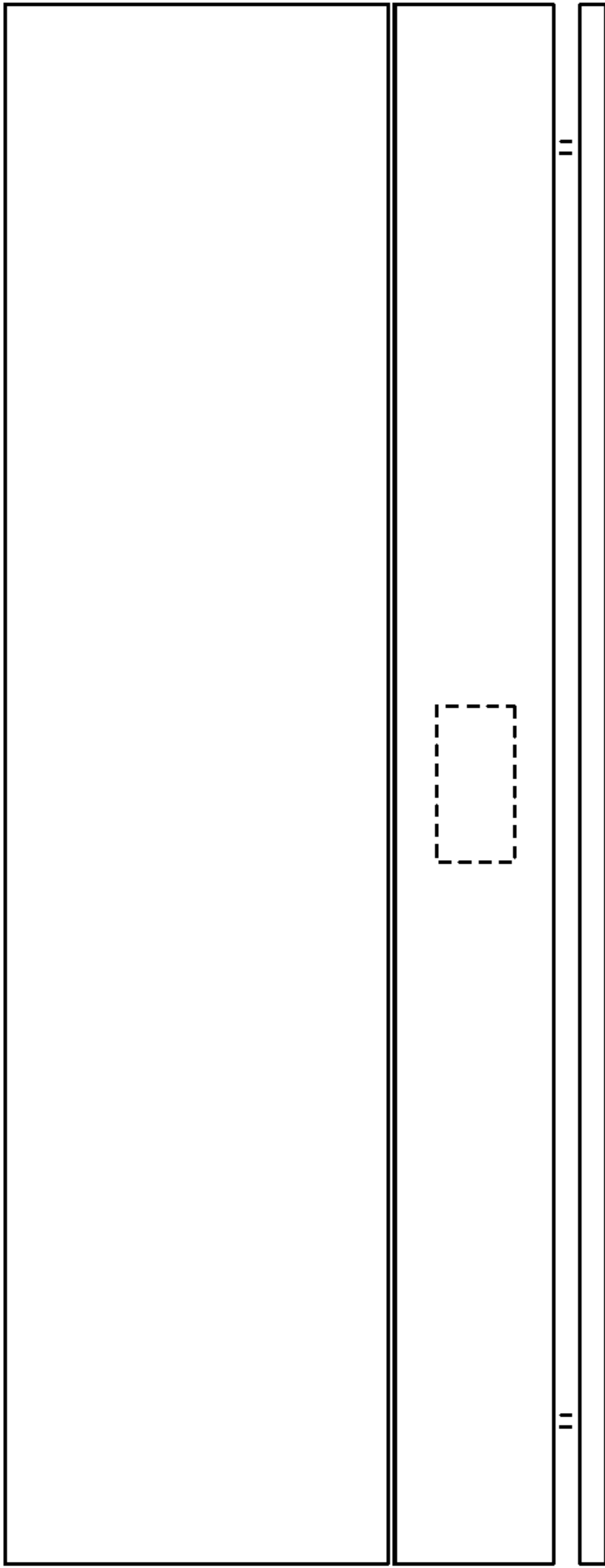
The broken line showings are for illustrative purposes only and form no part of the claimed design.

The tables in FIGS. 7-20 are shown separately for clarity of disclosure.

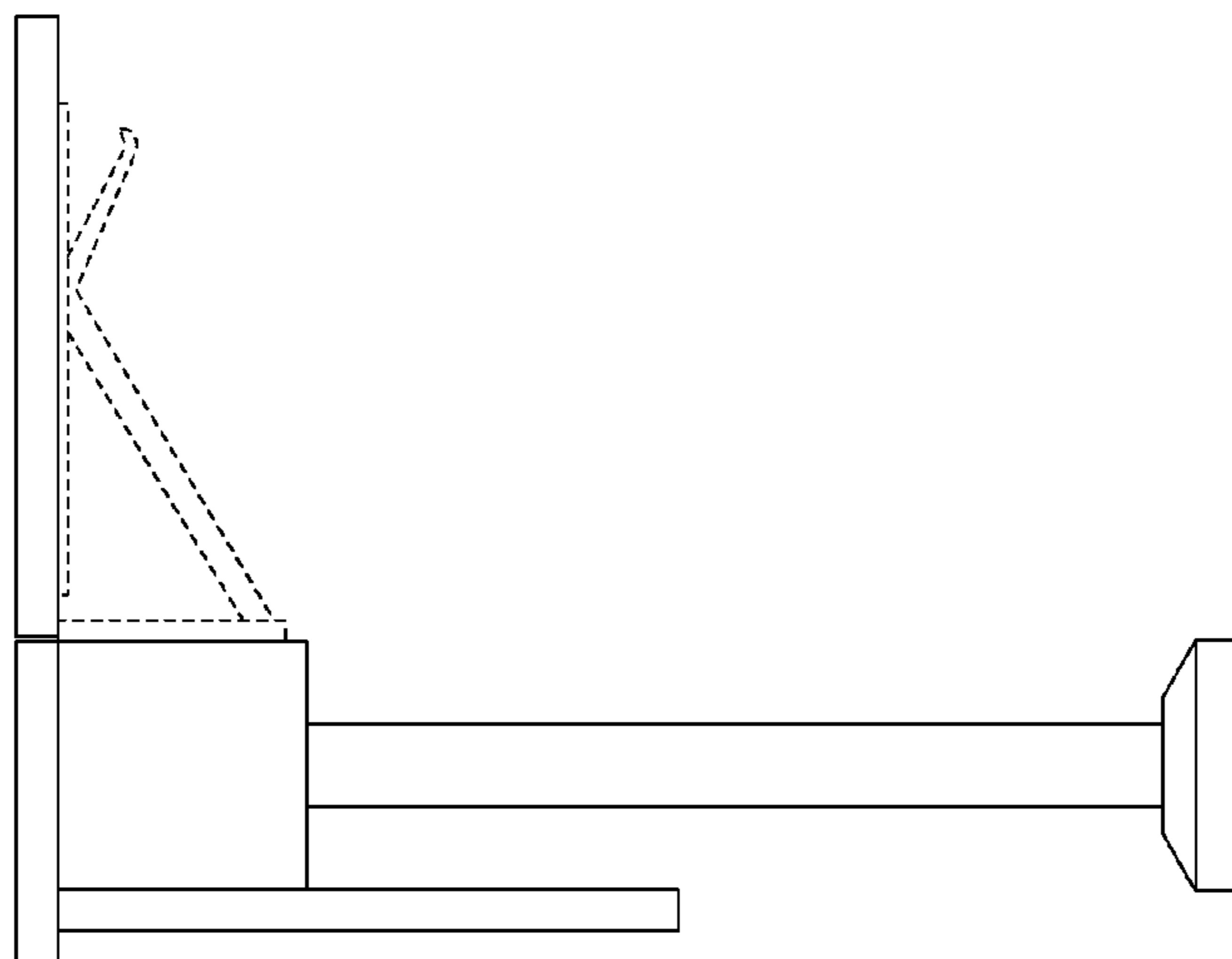
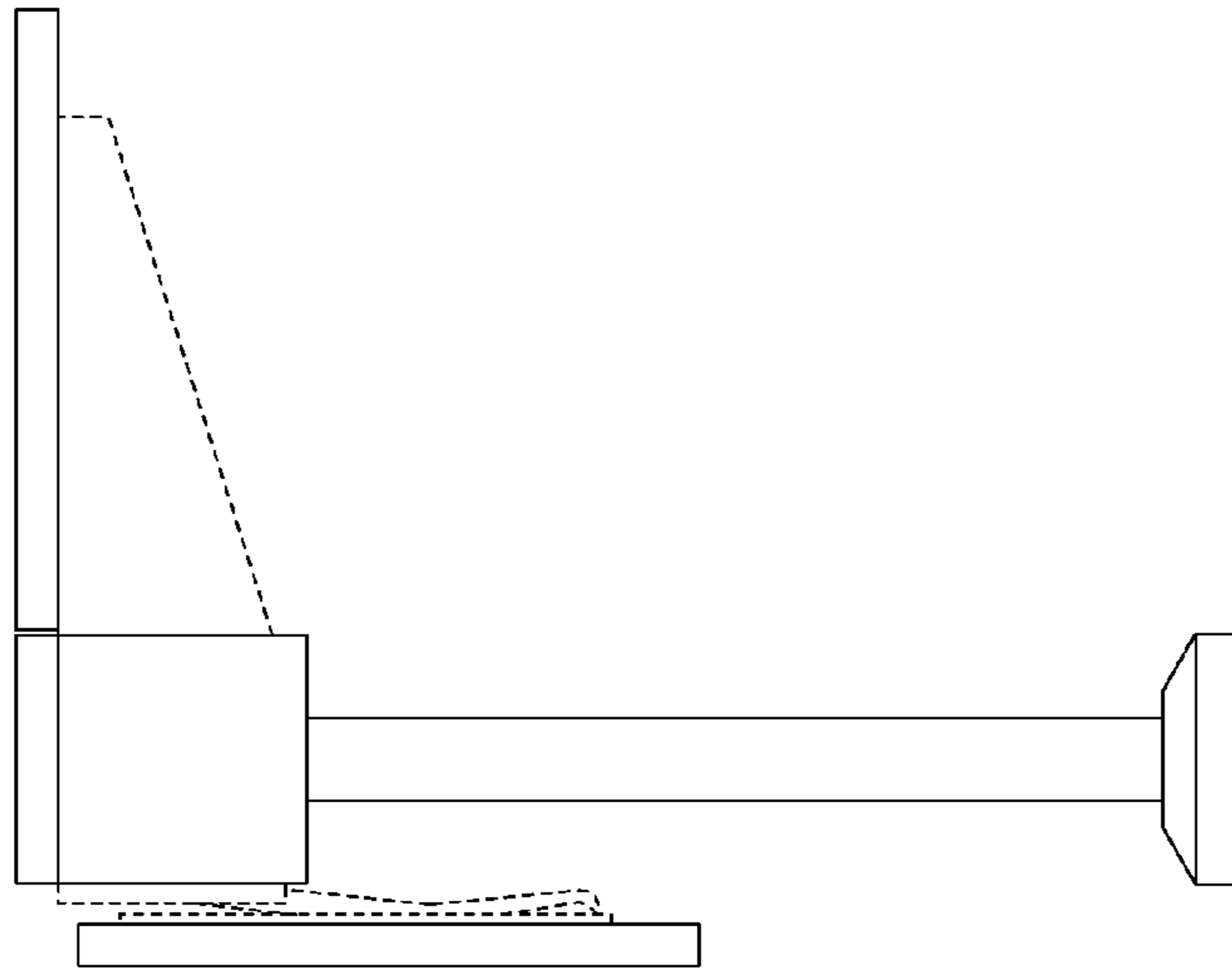
**1 Claim, 20 Drawing Sheets**



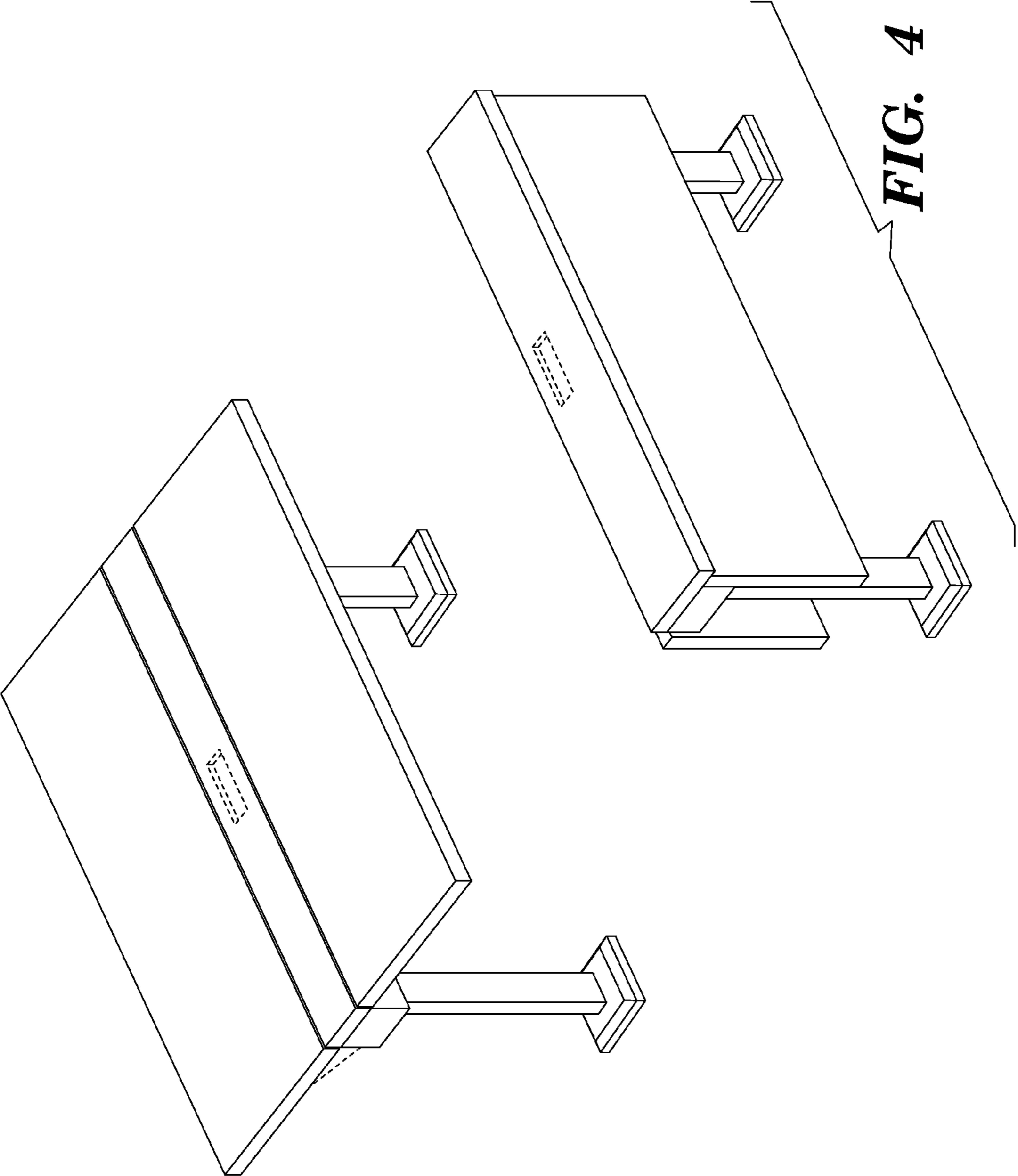




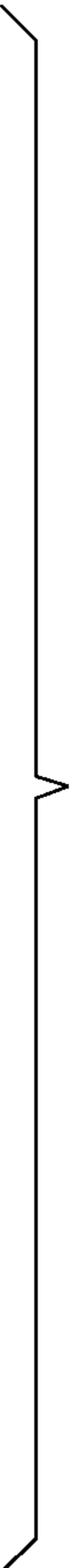
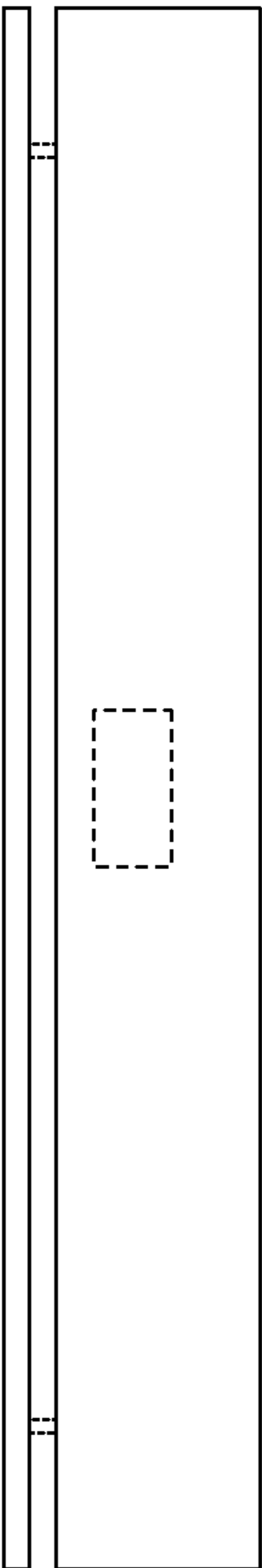
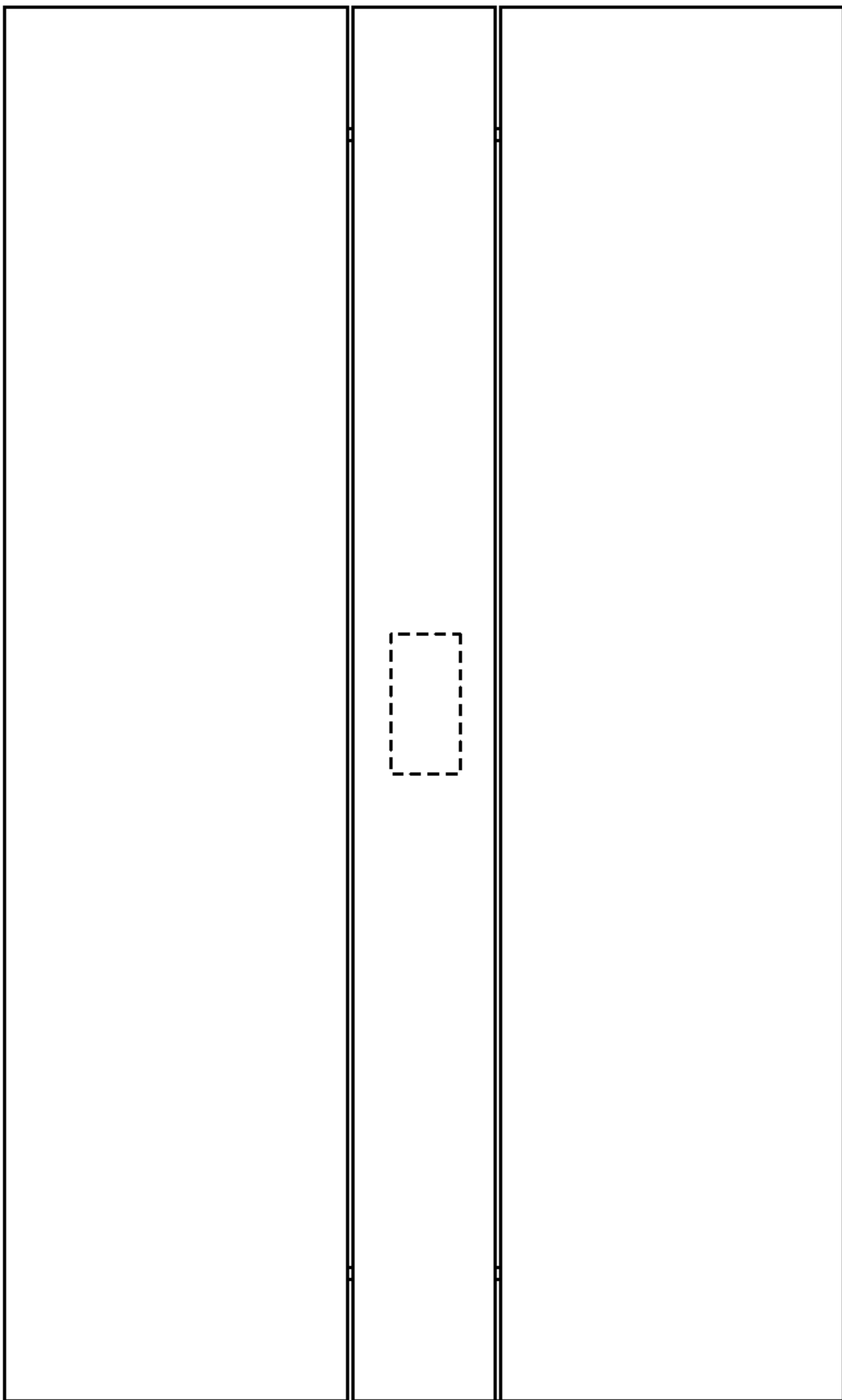
**FIG. 2**



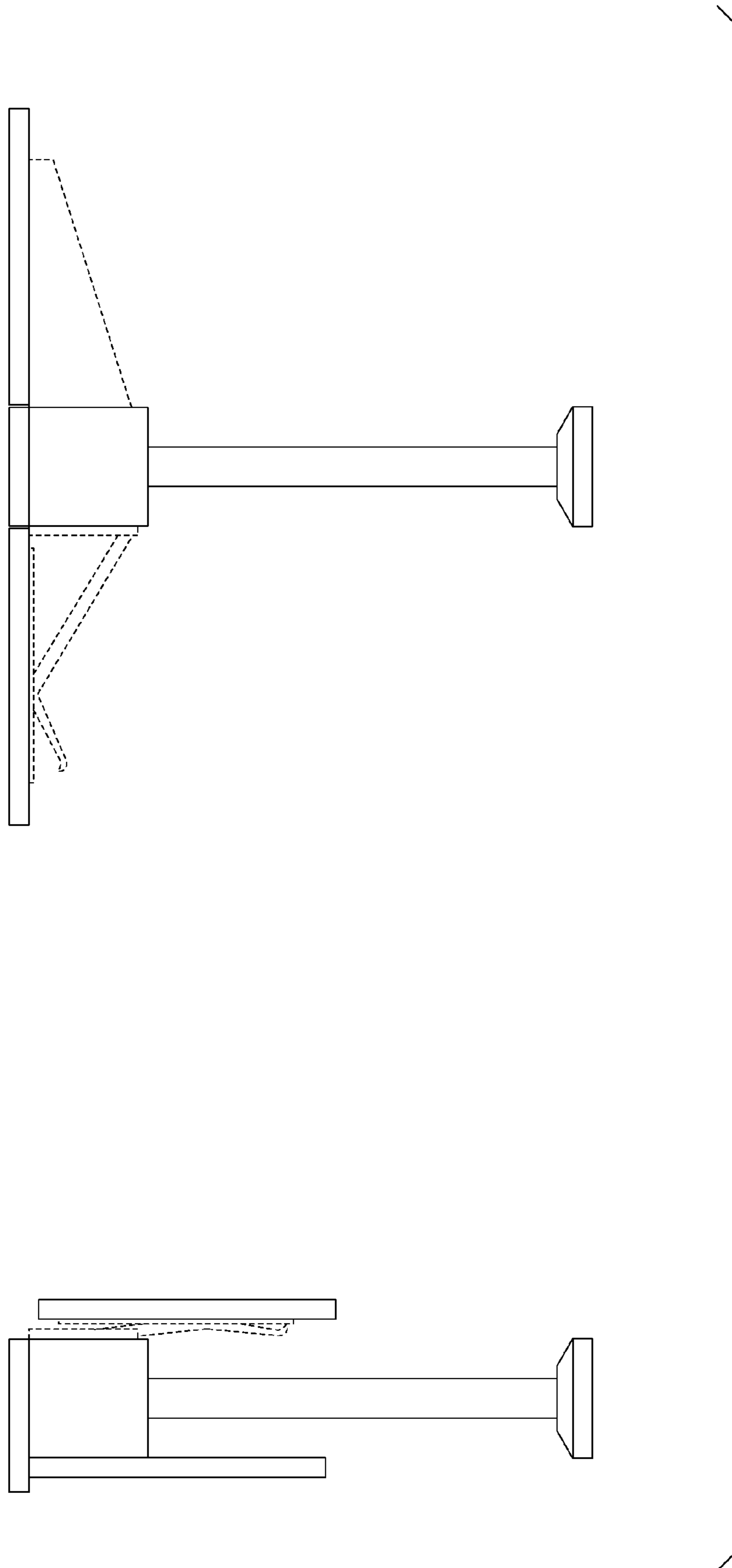
**FIG. 3**



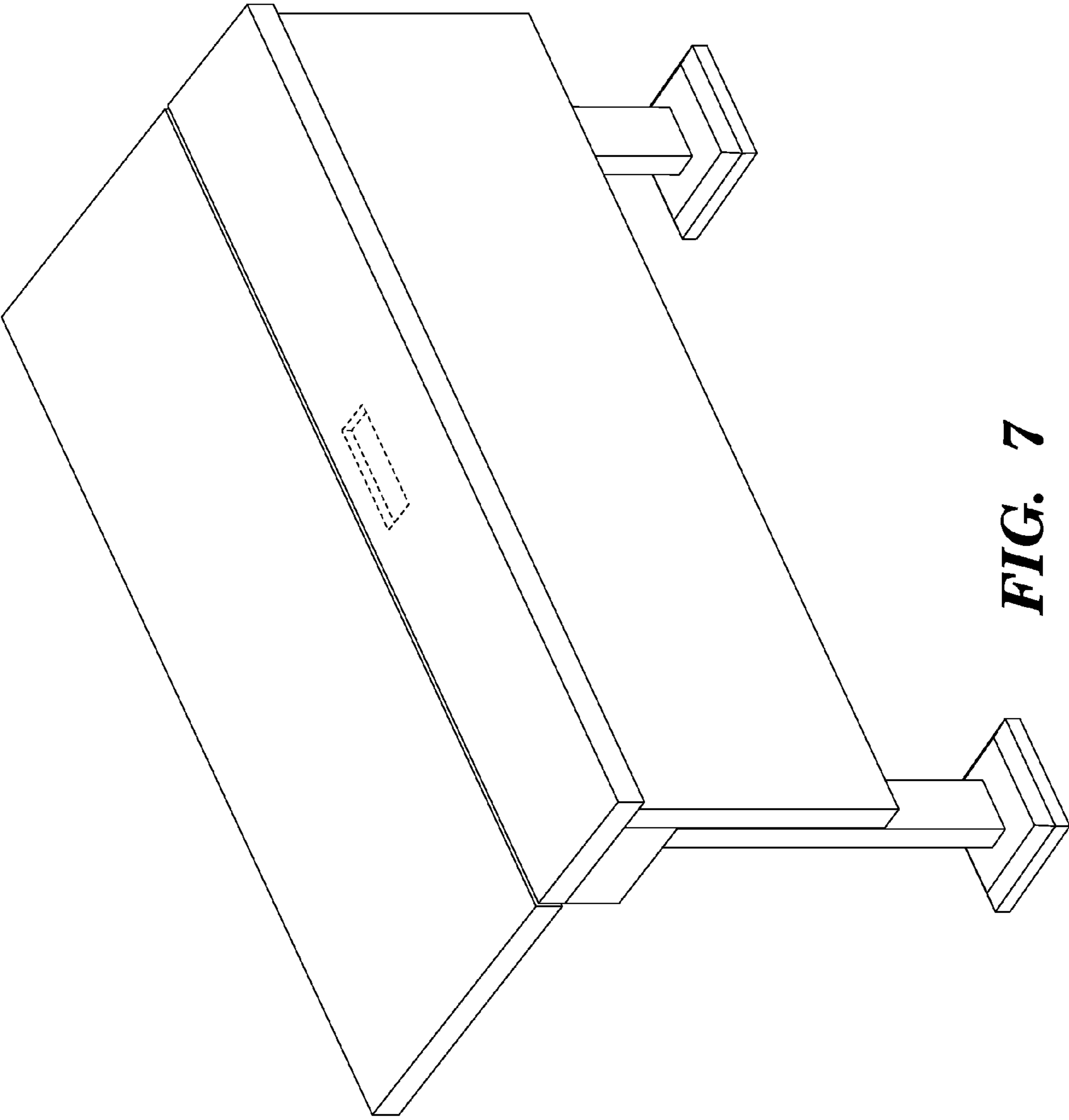
**FIG. 4**



**FIG. 5**

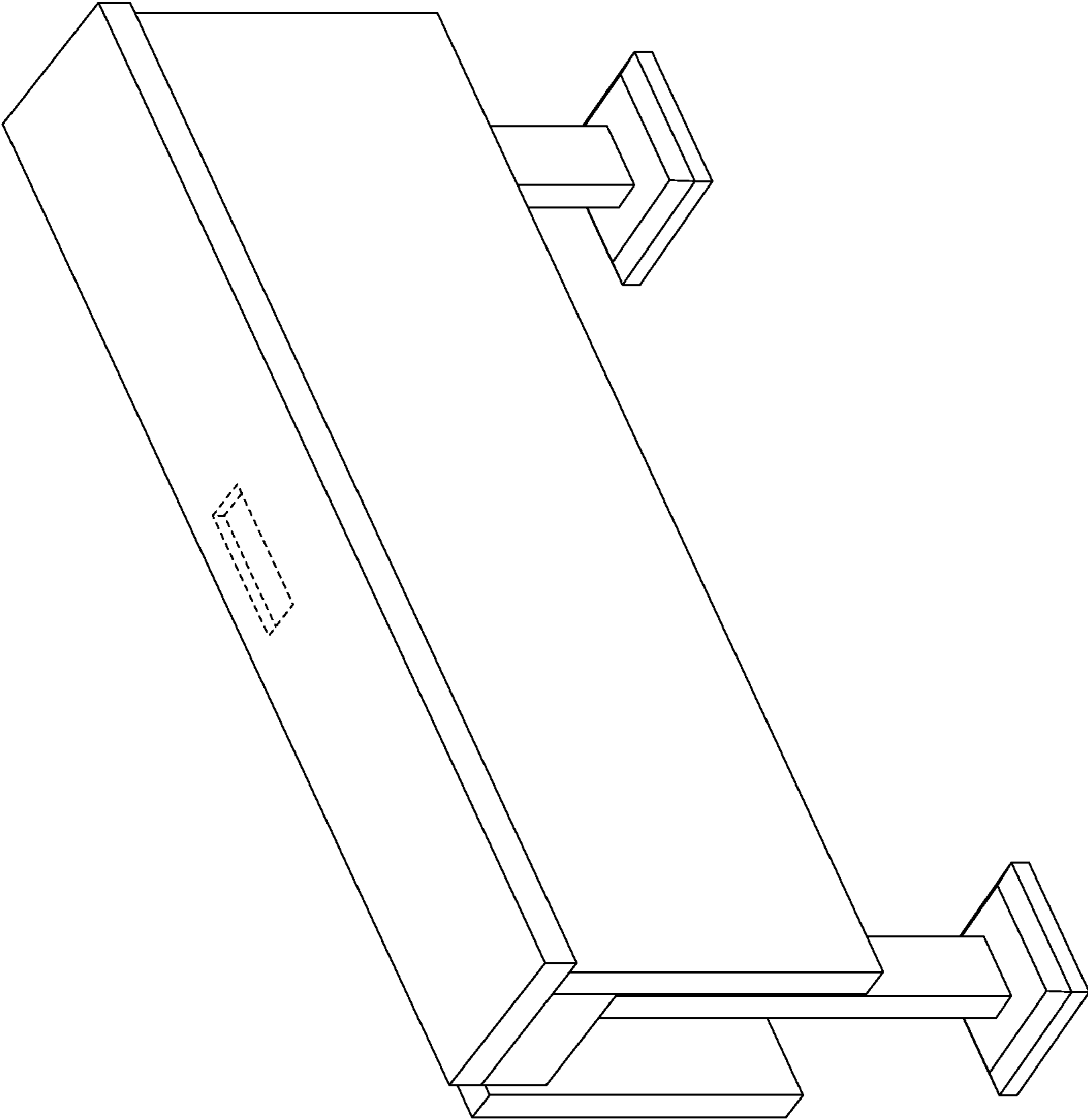




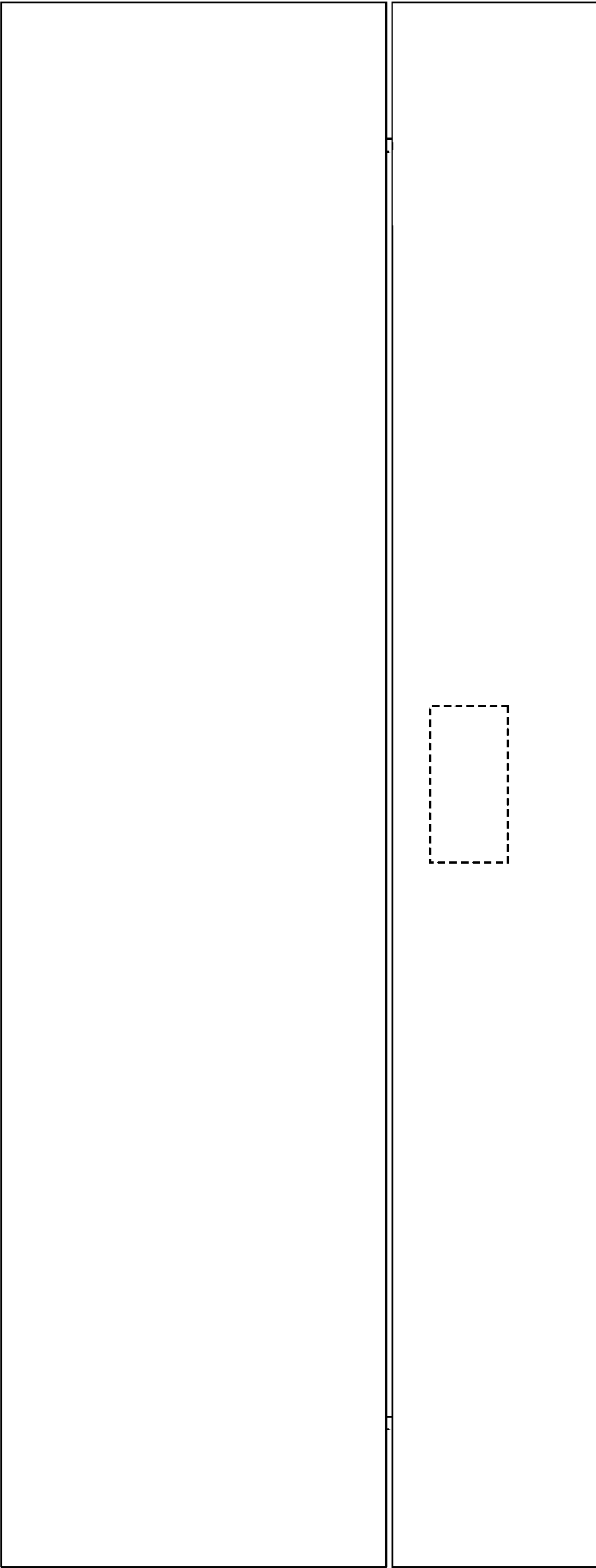


**FIG. 7**

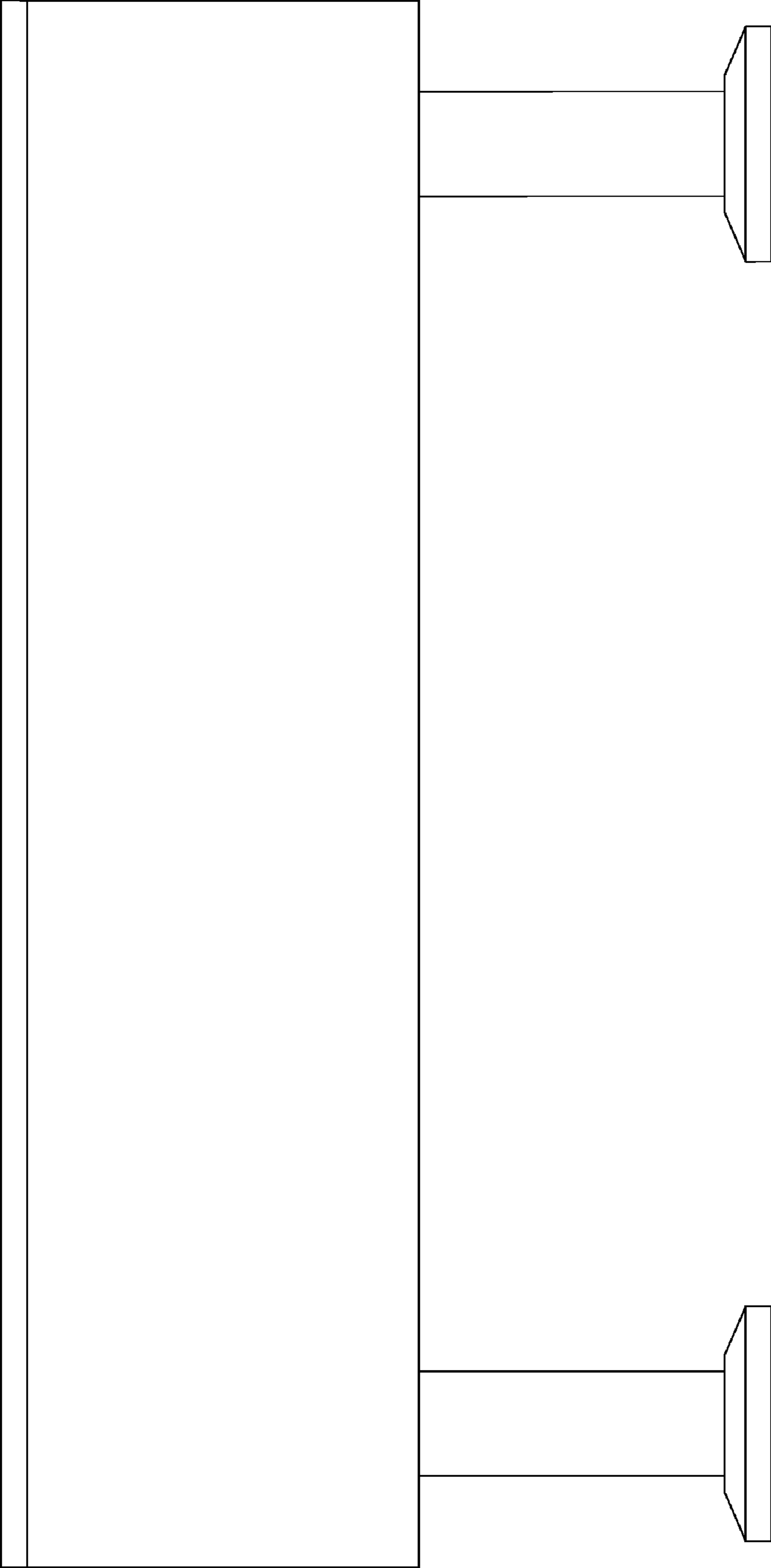




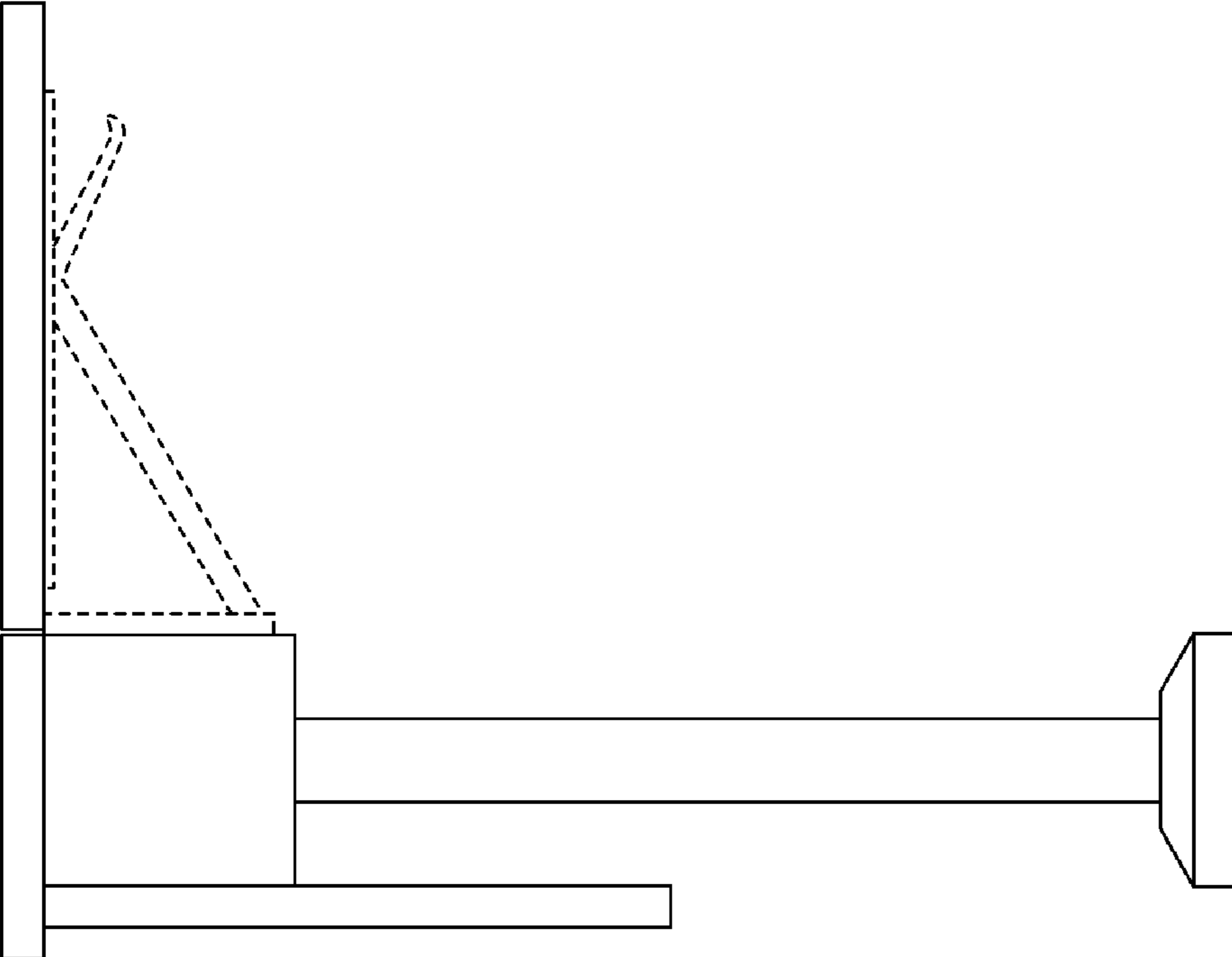
**FIG. 8**



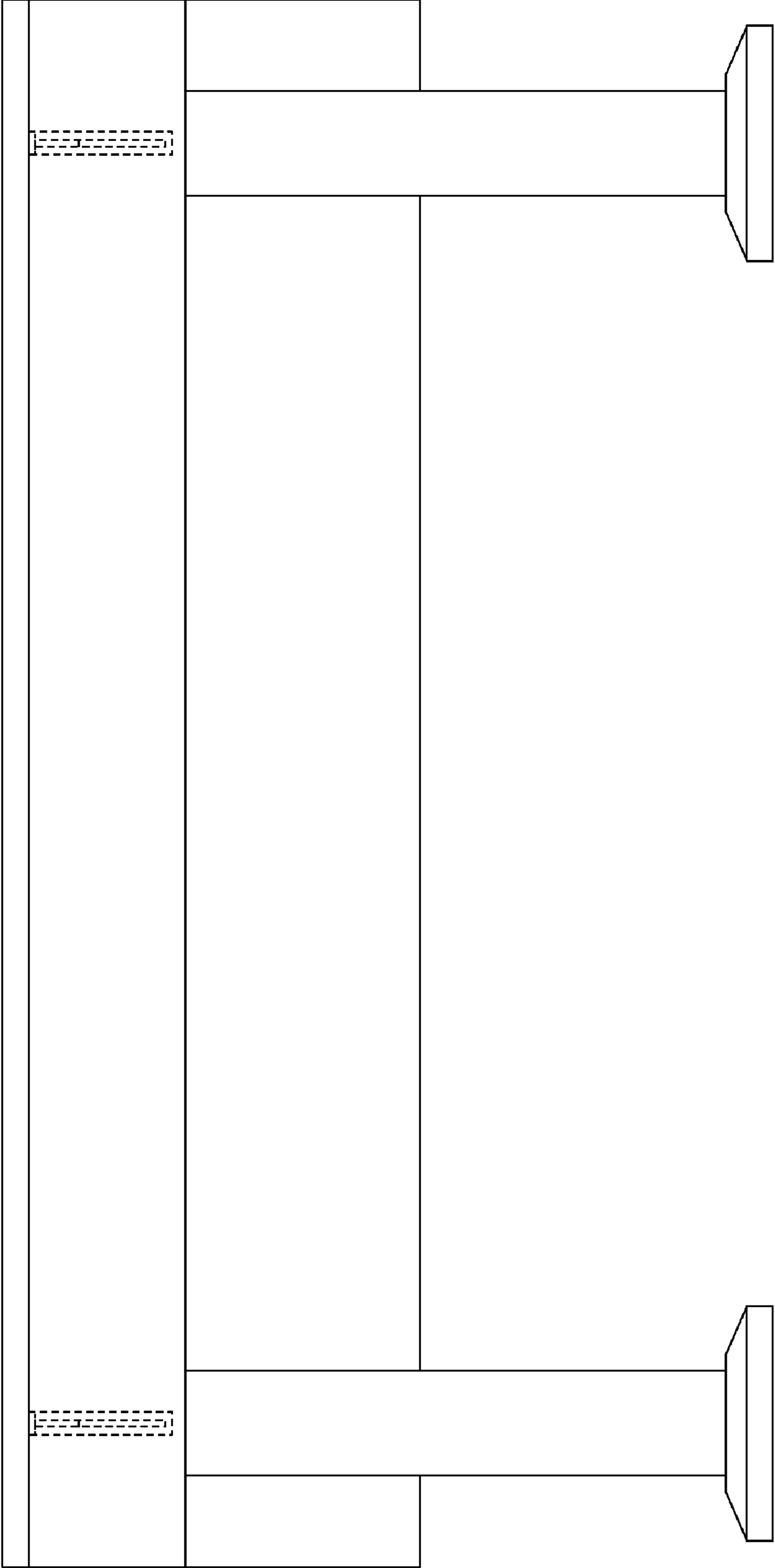
**FIG. 9**



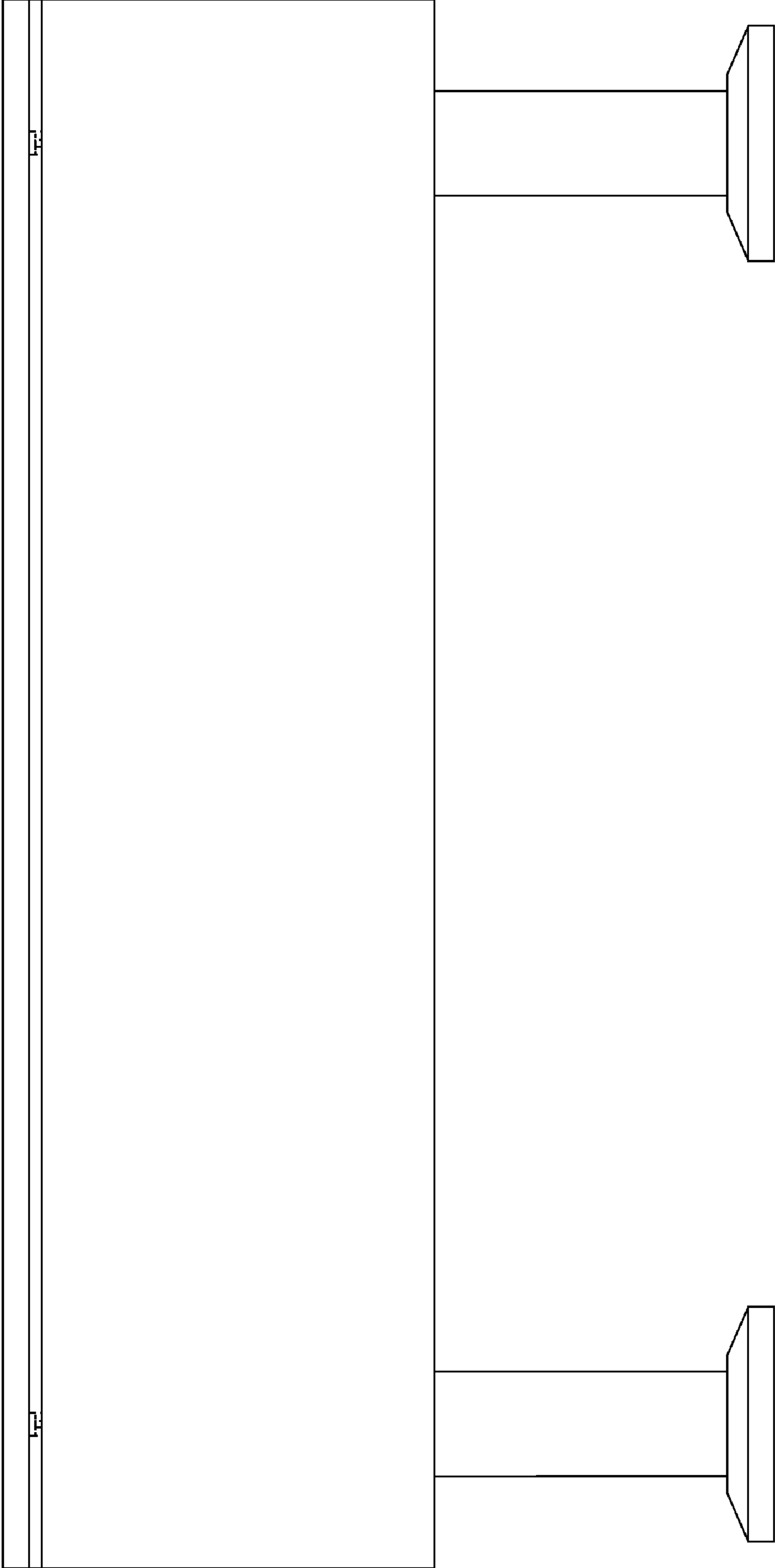
**FIG. 10**



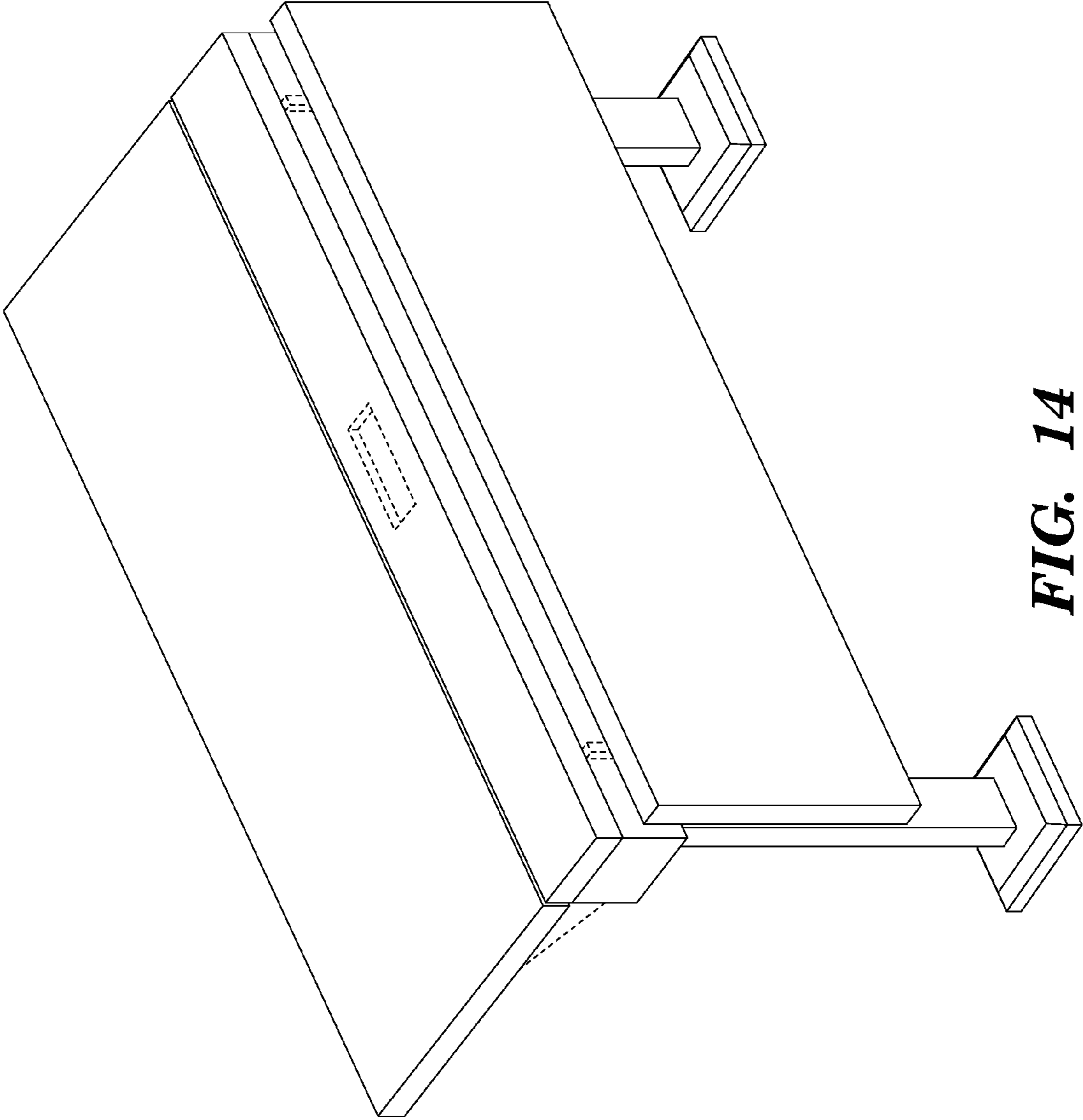
**FIG. 11**



**FIG. 12**

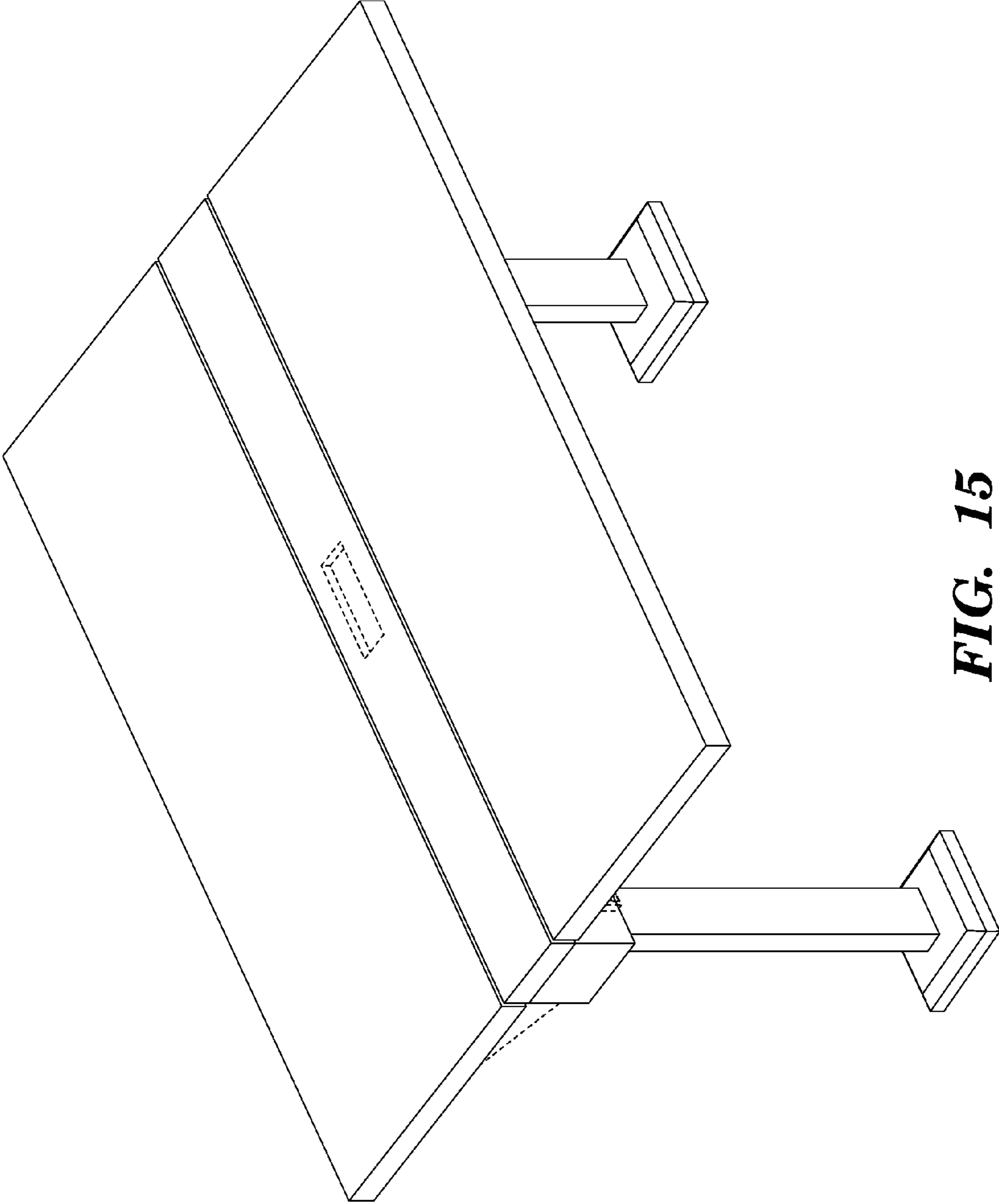


**FIG. 13**

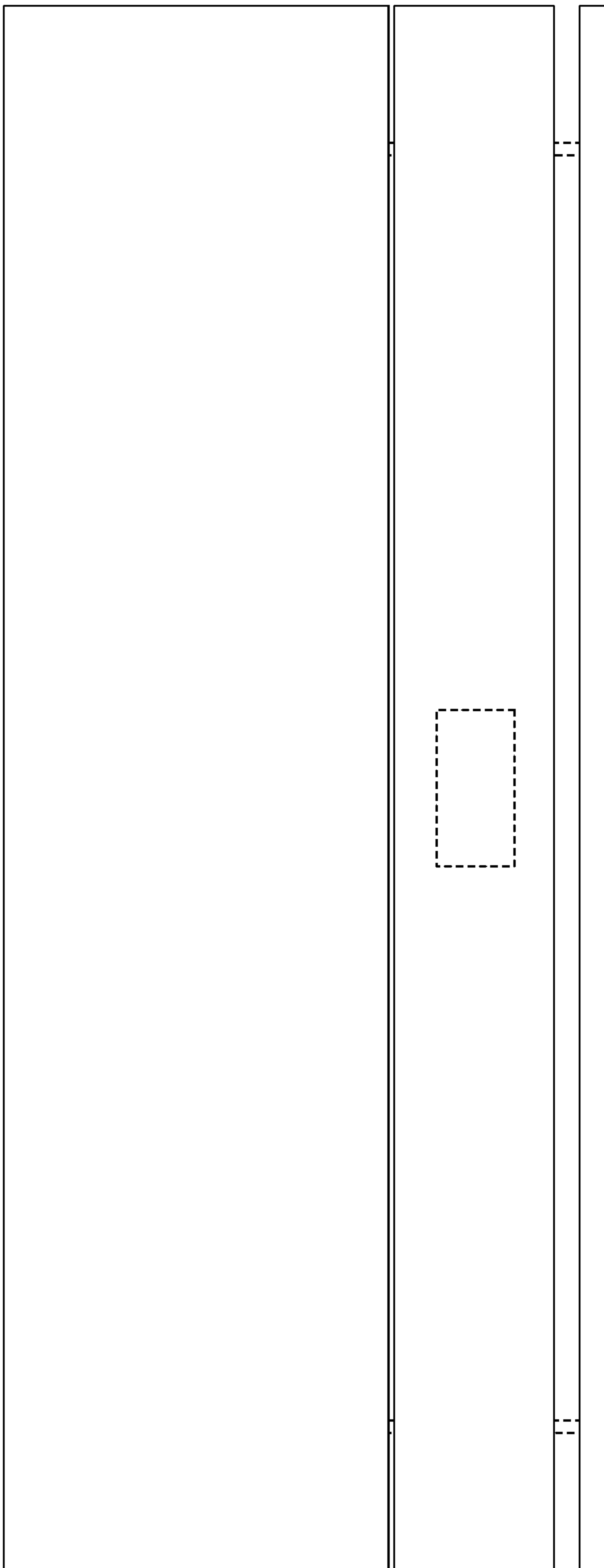


**FIG. 14**

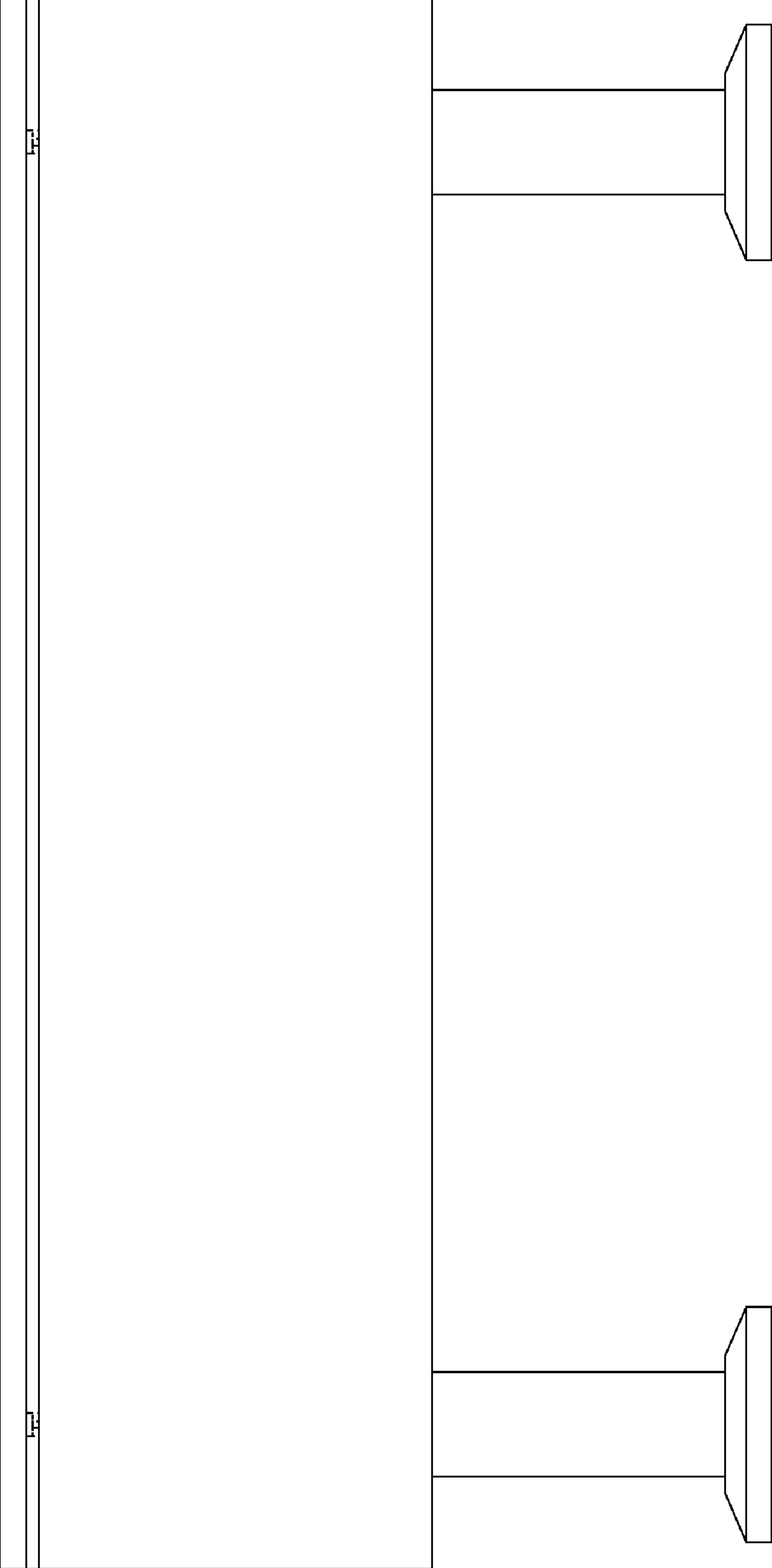




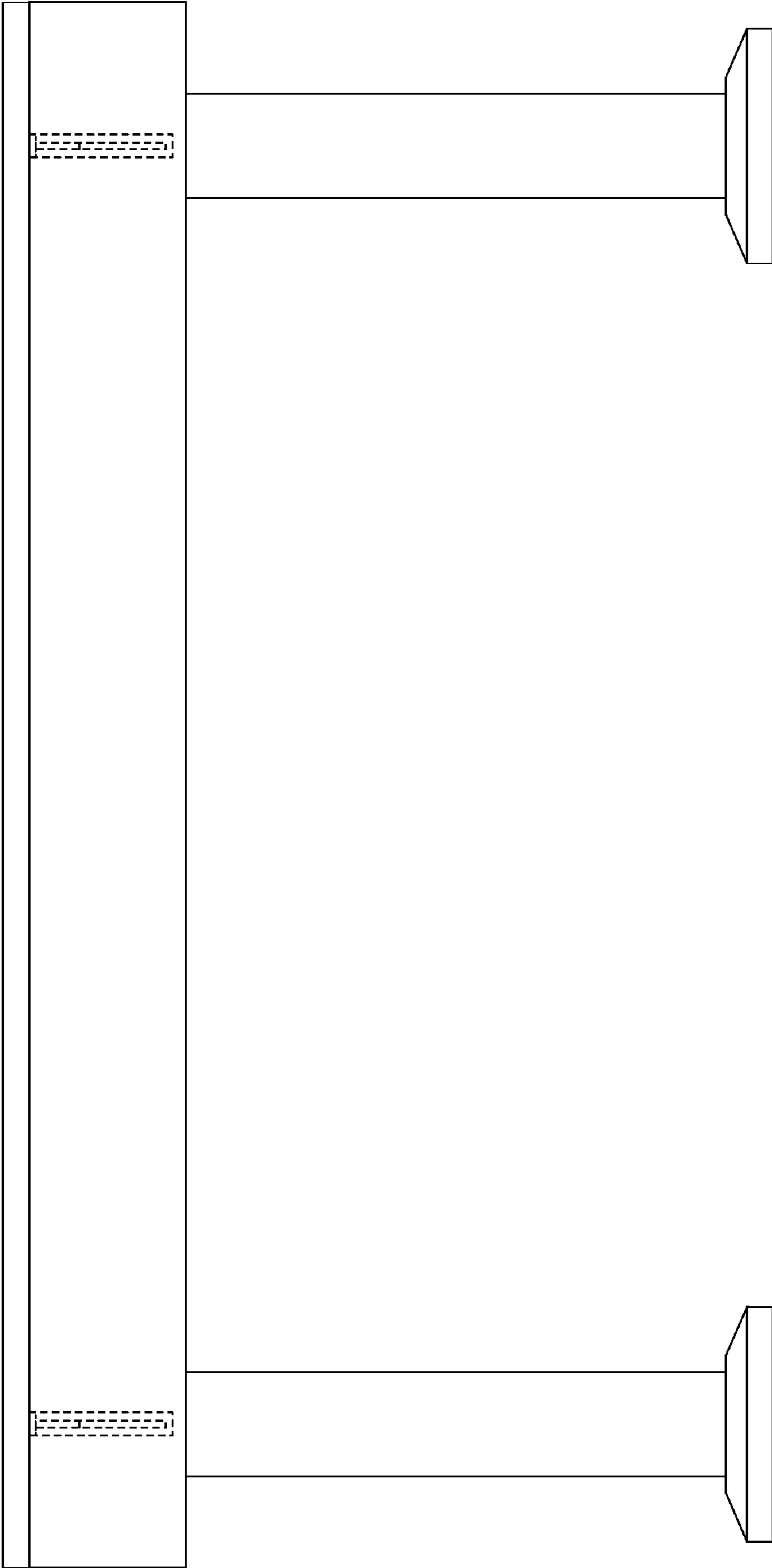
**FIG. 15**



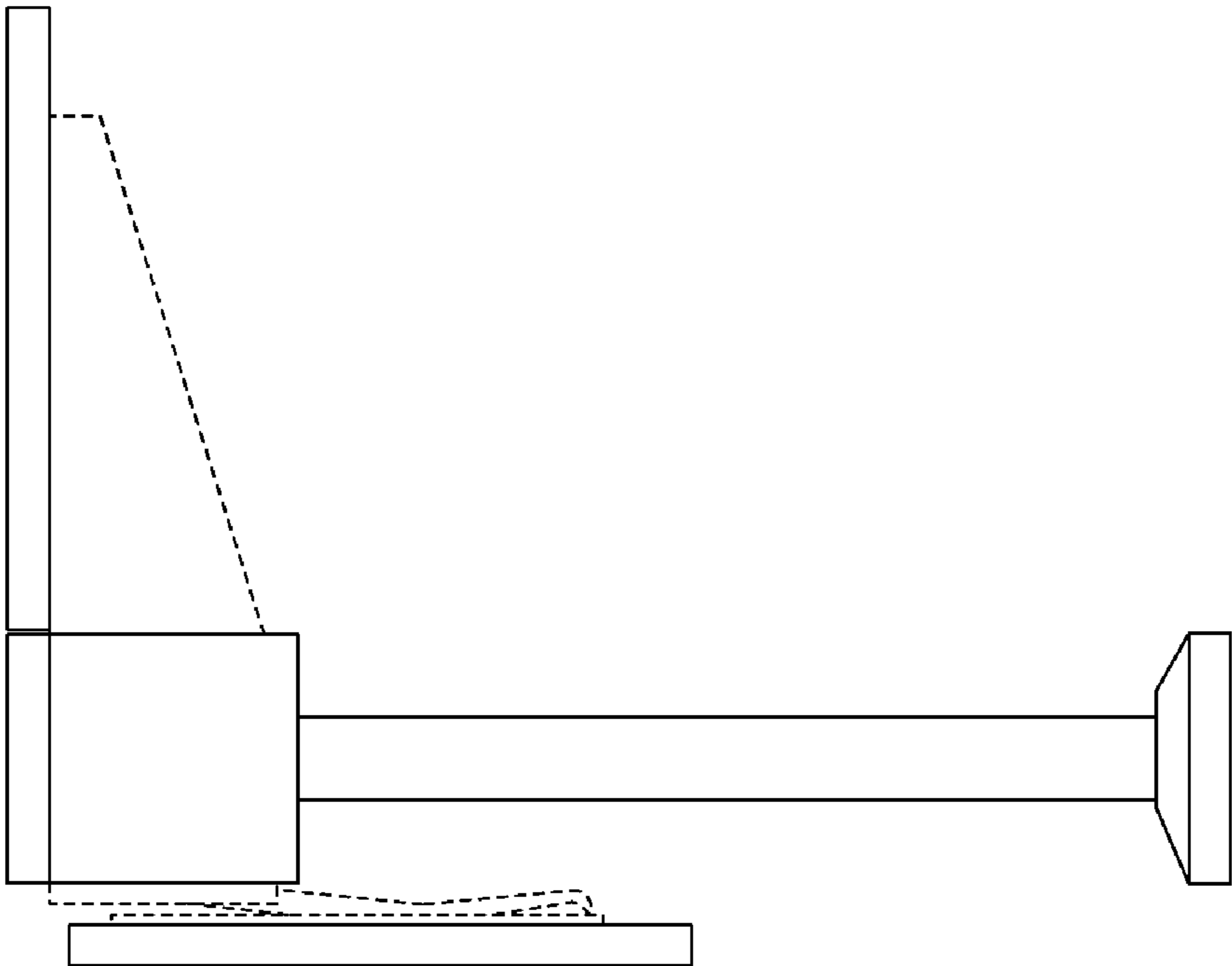
**FIG. 16**



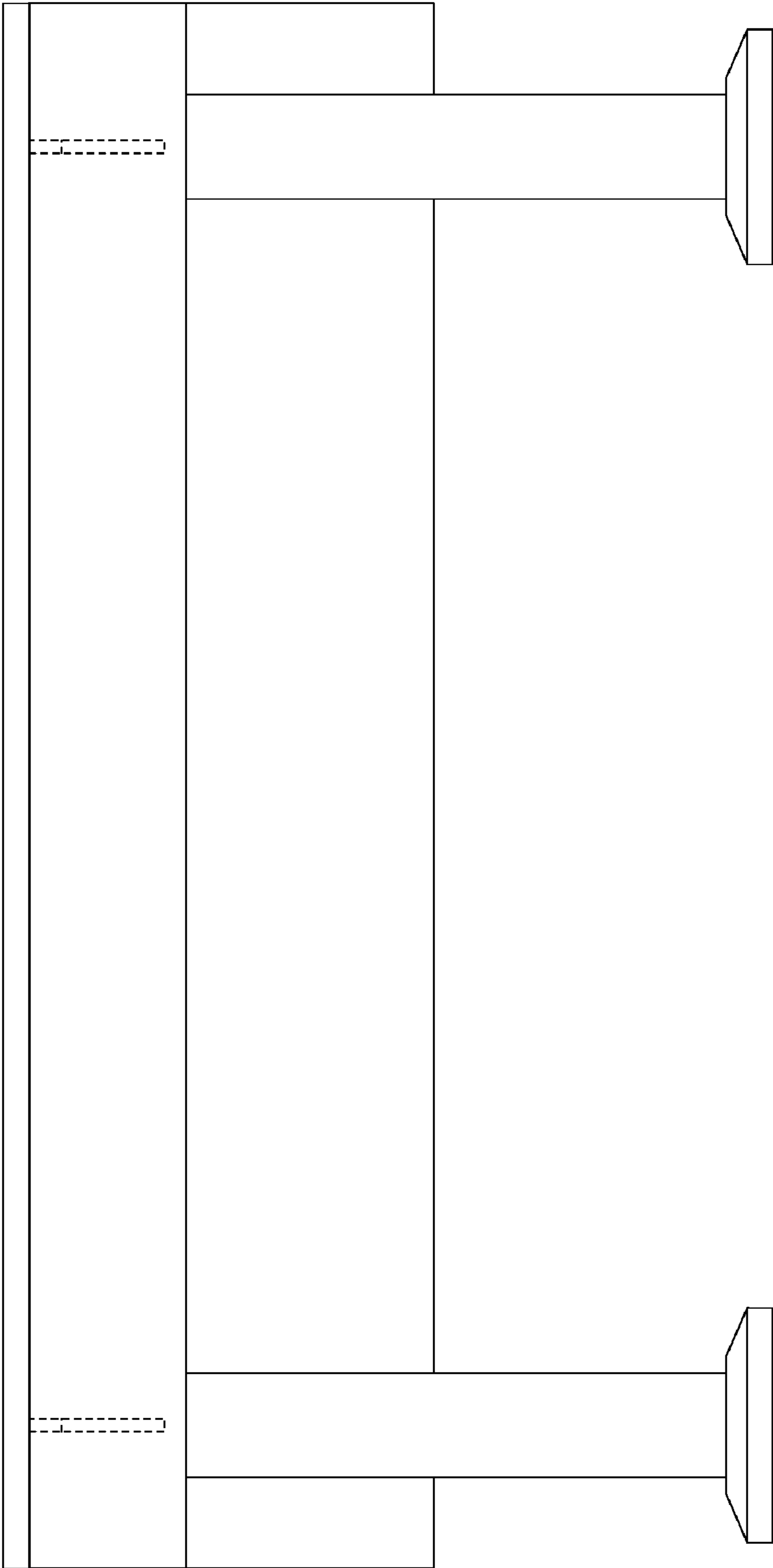
**FIG. 17**



**FIG. 18**



**FIG. 19**



**FIG. 20**