



US00D642823S

(12) **United States Design Patent**
Hanger

(10) **Patent No.:** **US D642,823 S**

(45) **Date of Patent:** **** Aug. 9, 2011**

(54) **DOUBLE-FIDDLE STAND**

(76) Inventor: **David B. Hanger**, Medford, OR (US)

(**) Term: **14 Years**

(21) Appl. No.: **29/381,544**

(22) Filed: **Dec. 20, 2010**

(51) **LOC (9) Cl.** **06-07**

(52) **U.S. Cl.** **D6/449**

(58) **Field of Classification Search** D6/310,
D6/312, 449, 450, 454-469, 475; 211/1,
211/13.1, 41.1, 41.2, 41.7, 74, 85.4, 86.6;
D7/387; 248/166, 459; D19/91; D14/447;
40/124.01, 124.16

See application file for complete search history.

(56) **References Cited**

U.S. PATENT DOCUMENTS

D195,388 S *	6/1963	Brummer	D6/475
D326,379 S *	5/1992	Gilbey	D6/475
D453,641 S *	2/2002	Harvey	D6/475
D609,941 S *	2/2010	Schmid	D6/475
D623,470 S *	9/2010	Herron et al.	D7/387

* cited by examiner

Primary Examiner — Philip S Hyder

Assistant Examiner — Sydney Buffalow

(74) *Attorney, Agent, or Firm* — Jerry Haynes Law

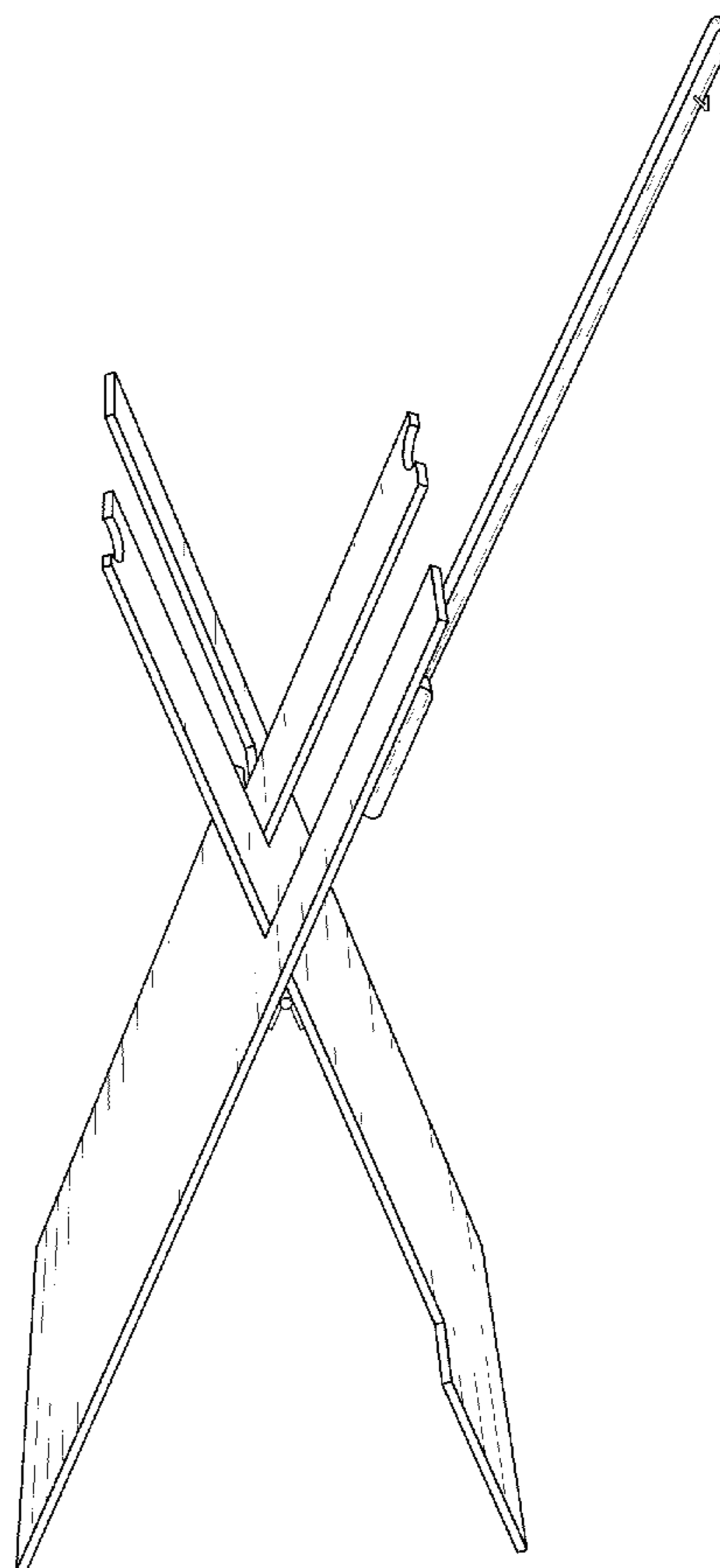
(57) **CLAIM**

The ornamental design for a double-fiddle stand, as shown and described.

DESCRIPTION

FIG. 1 is a front perspective view of a double-fiddle stand showing the new design; FIG. 2 is a front view thereof; FIG. 3 is a back view thereof; FIG. 4 is a left side view thereof; FIG. 5 is a right side view thereof; FIG. 6 is a top view thereof; FIG. 7 is a bottom view thereof; FIG. 8 is a front perspective view of the design in the context in which it is intended to be used, the broken lines forming no part of the claimed design; and, FIG. 9 is a perspective view of the design in a collapsed configuration and in the context in which it is intended to be used, the broken lines forming no part of the claimed design.

1 Claim, 5 Drawing Sheets



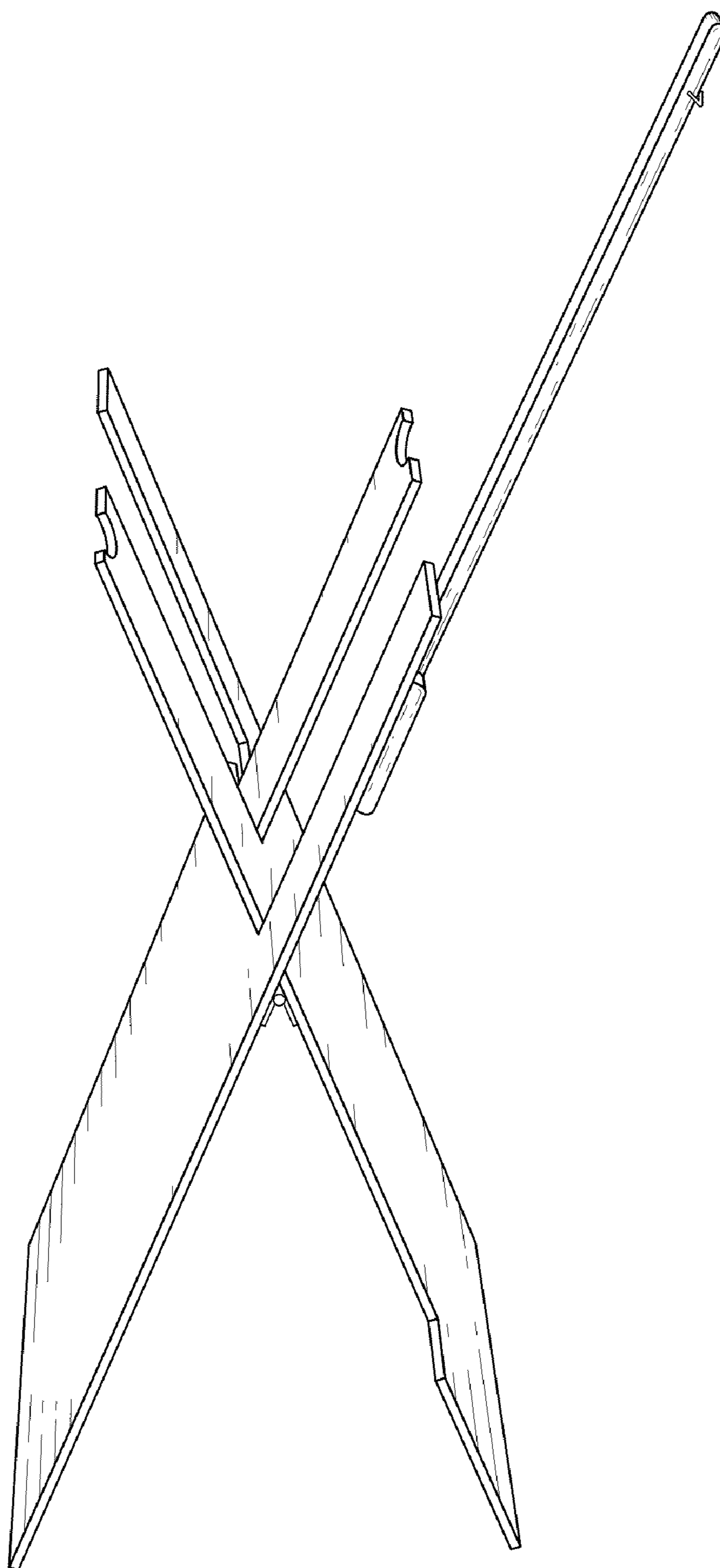


FIG. 1

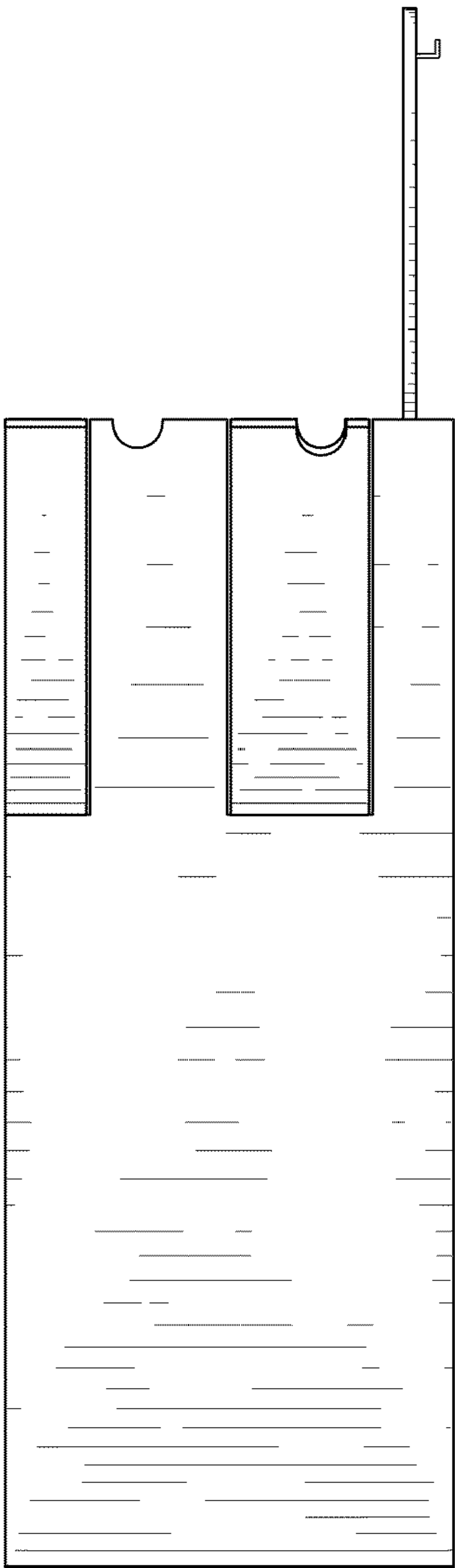


FIG. 2

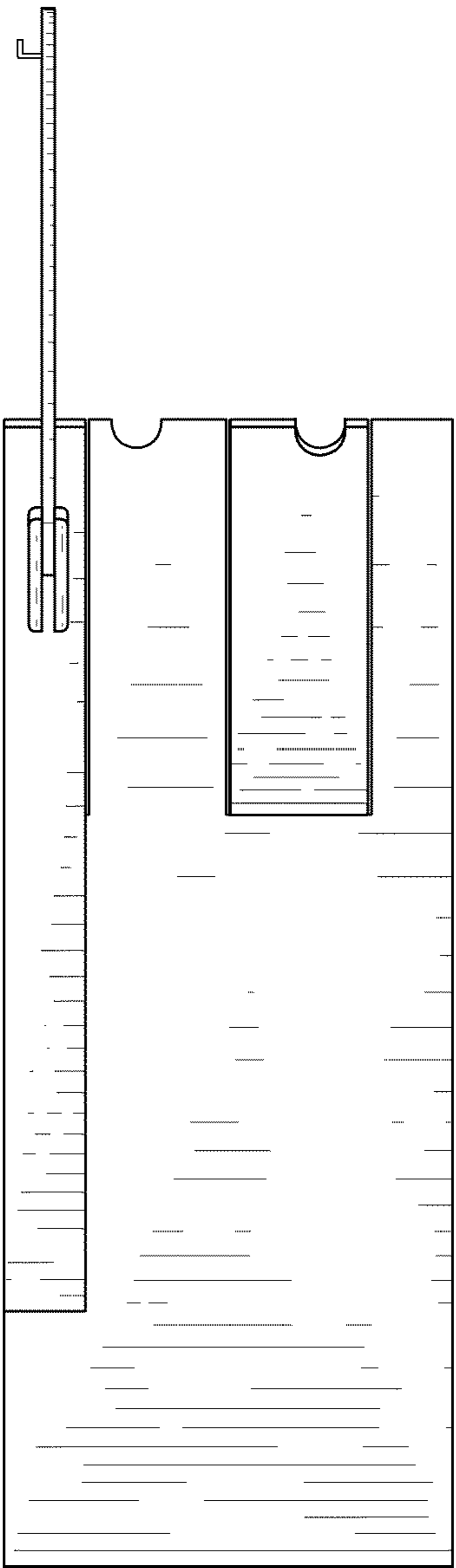


FIG. 3

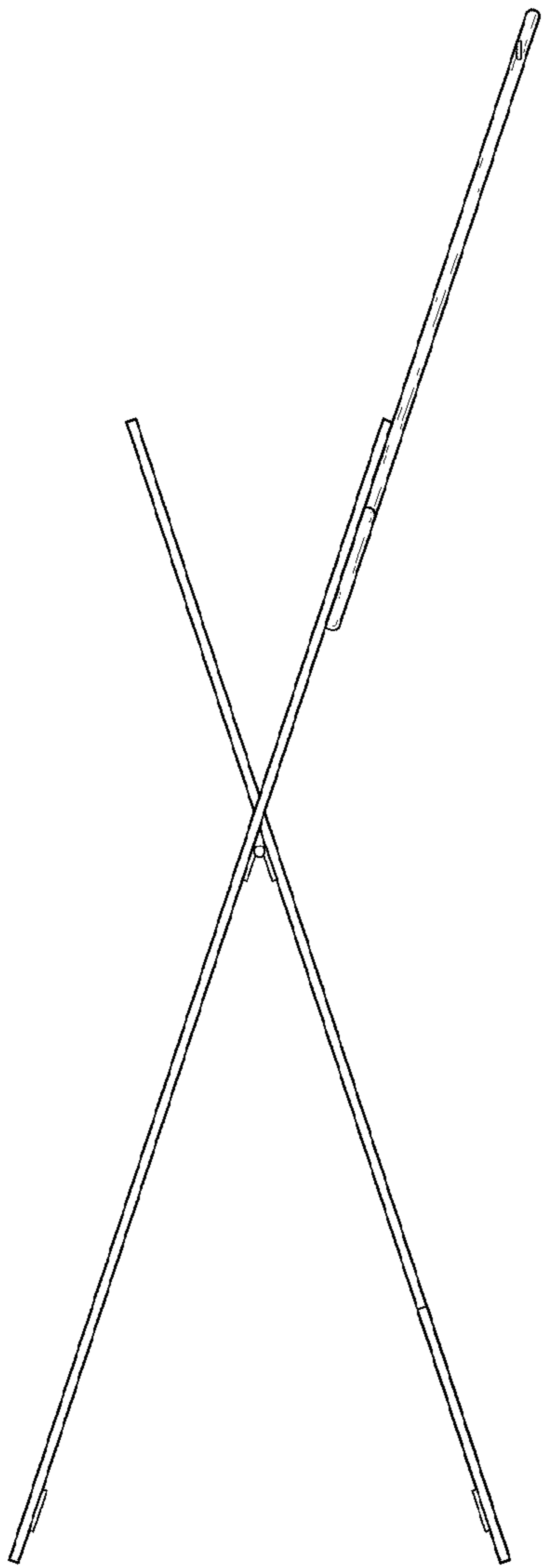


FIG. 4

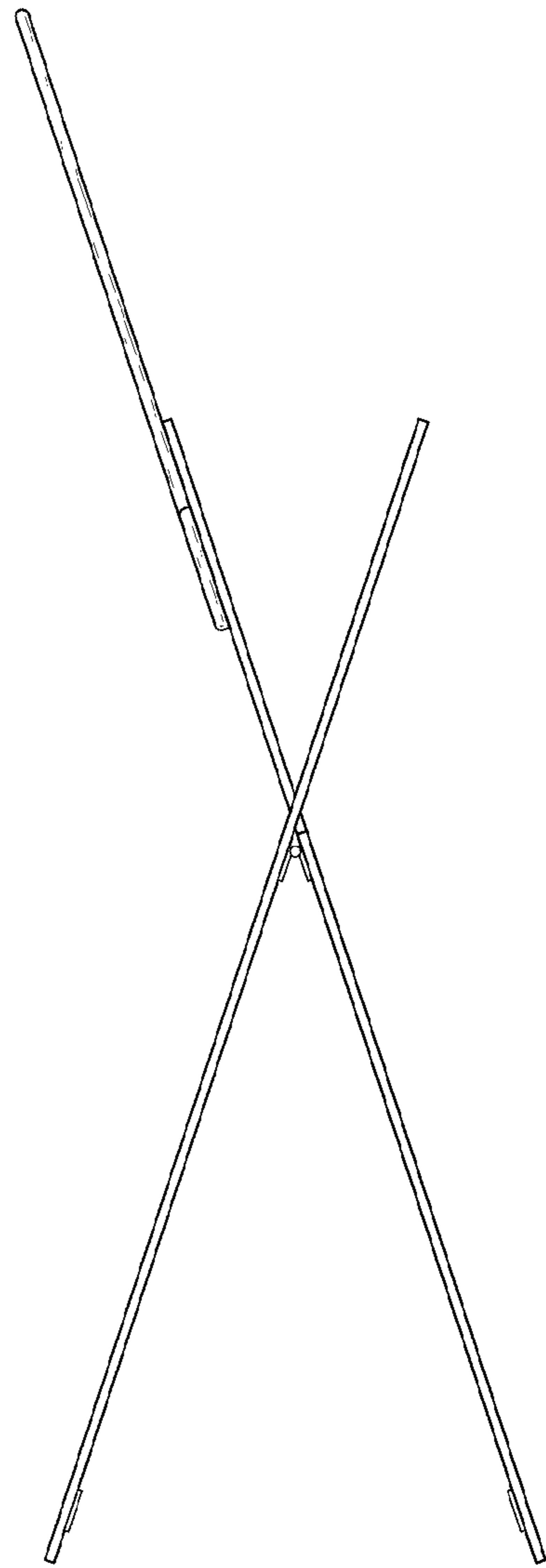


FIG. 5

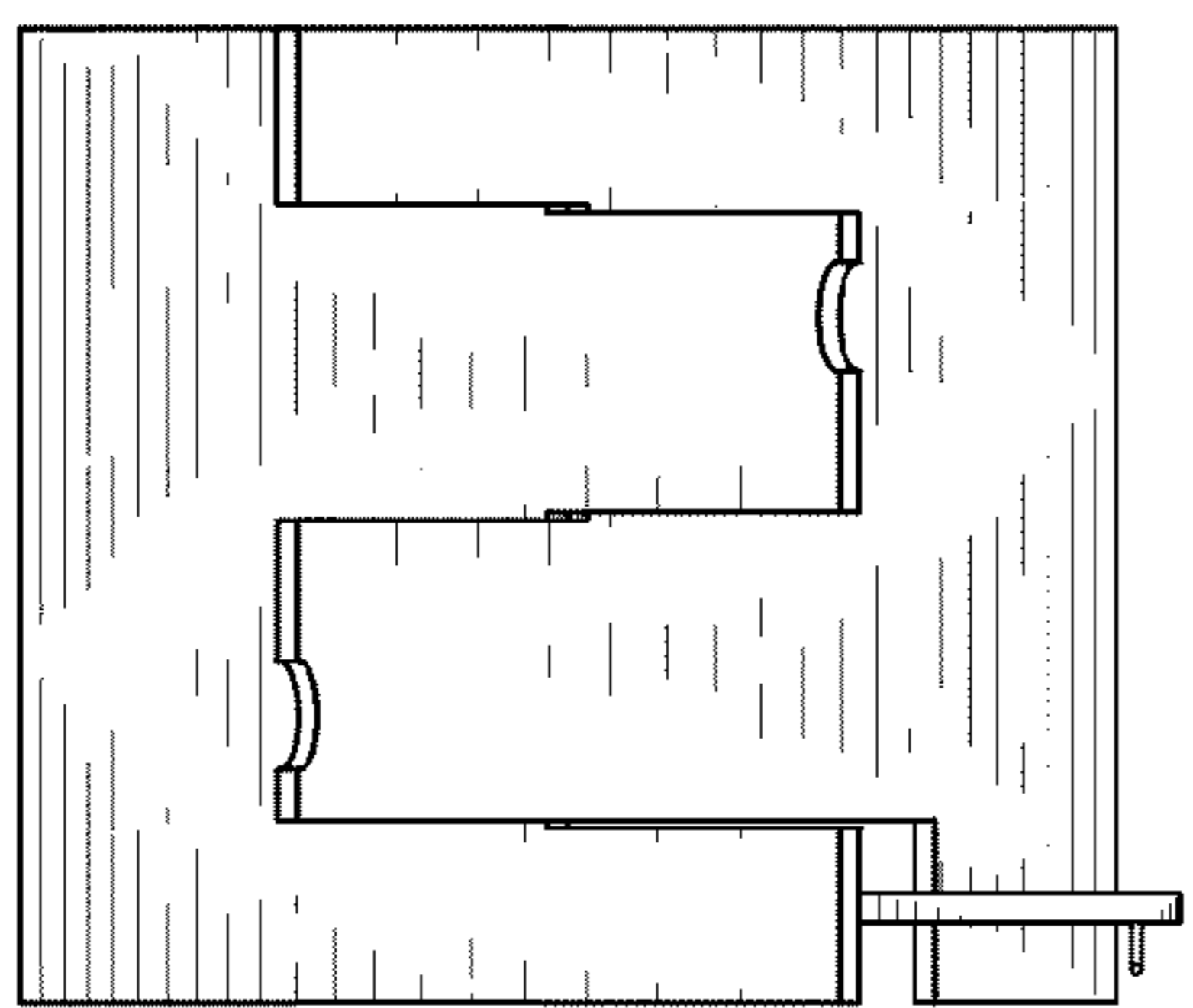


FIG. 6

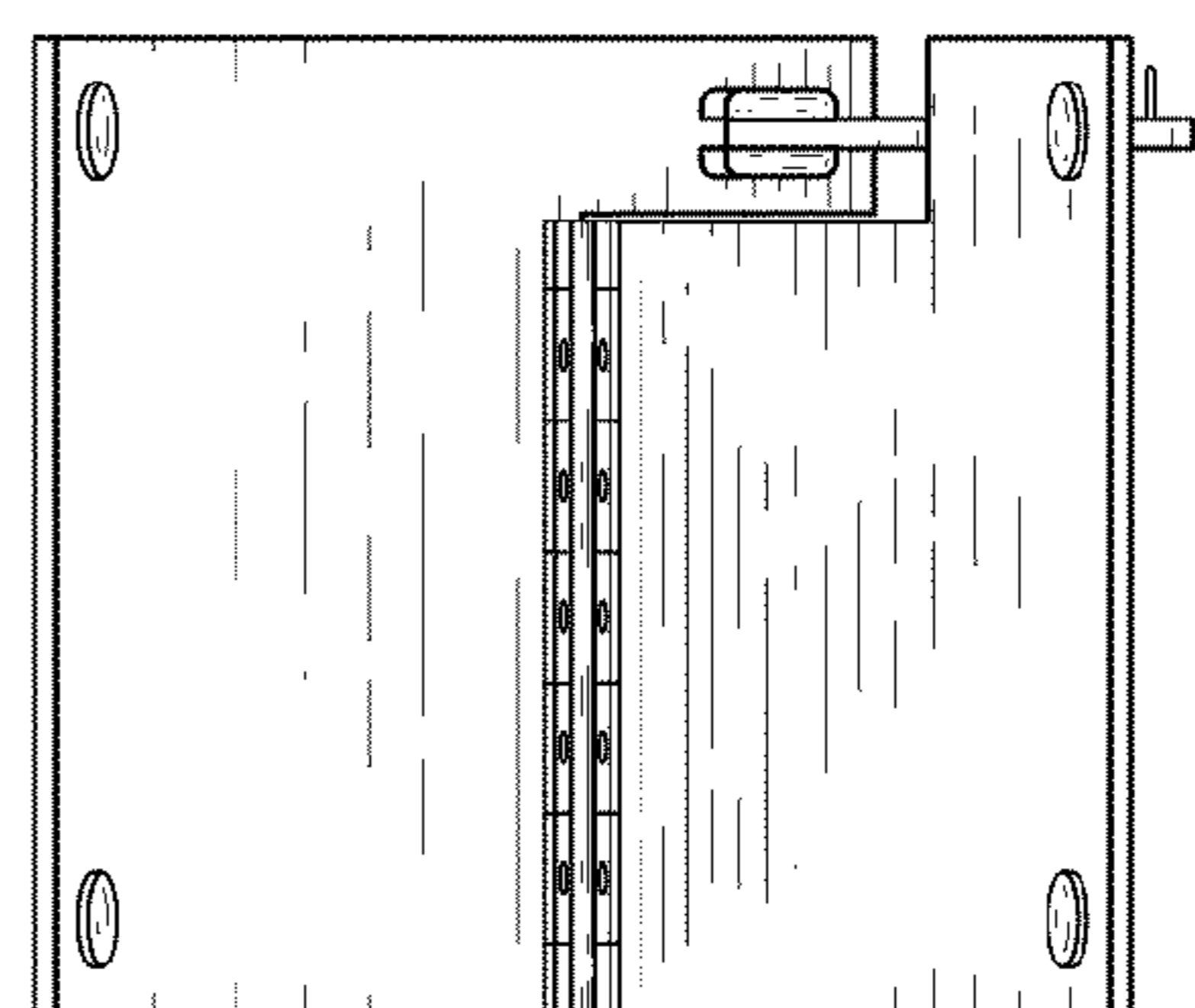


FIG. 7

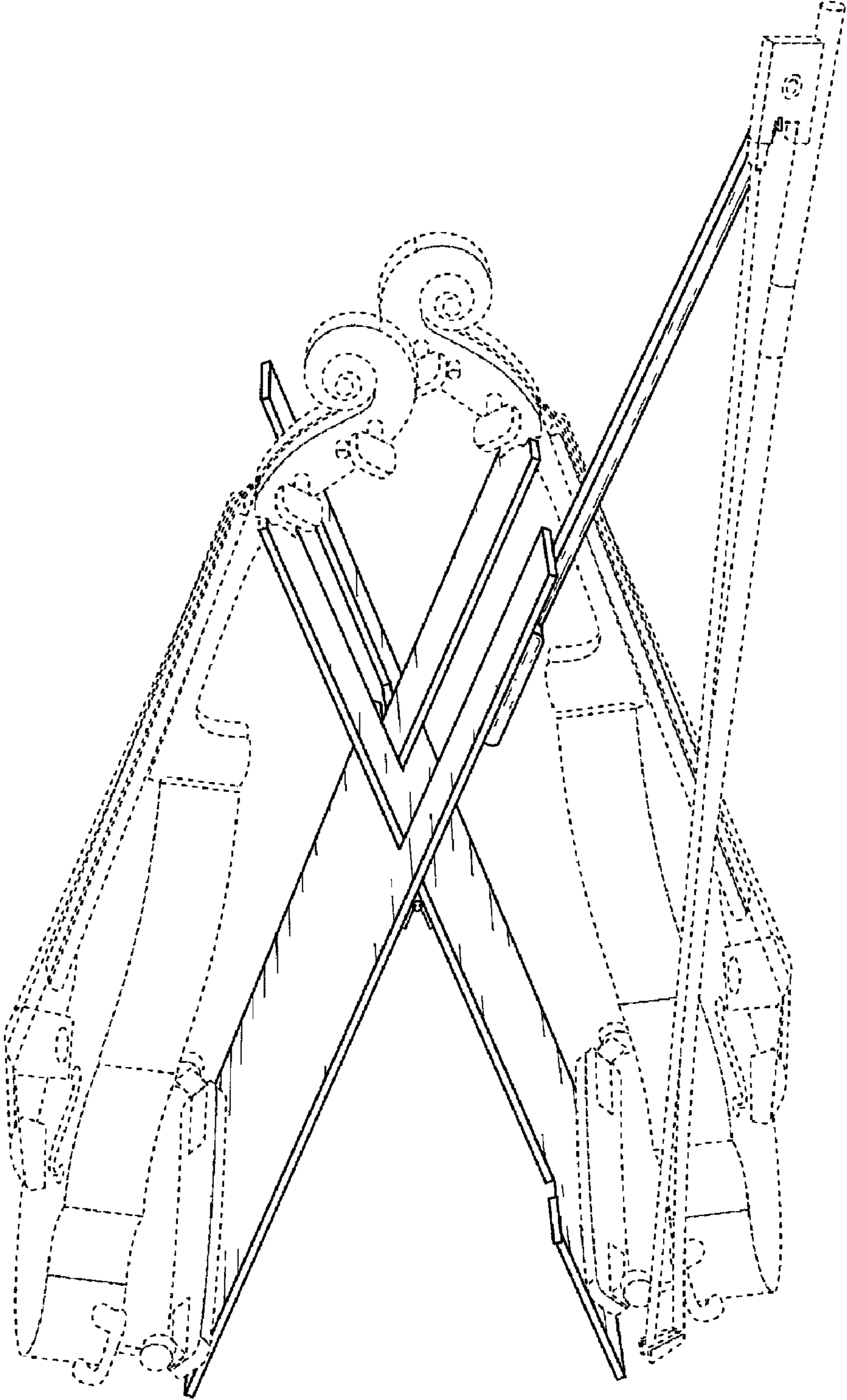


FIG. 8

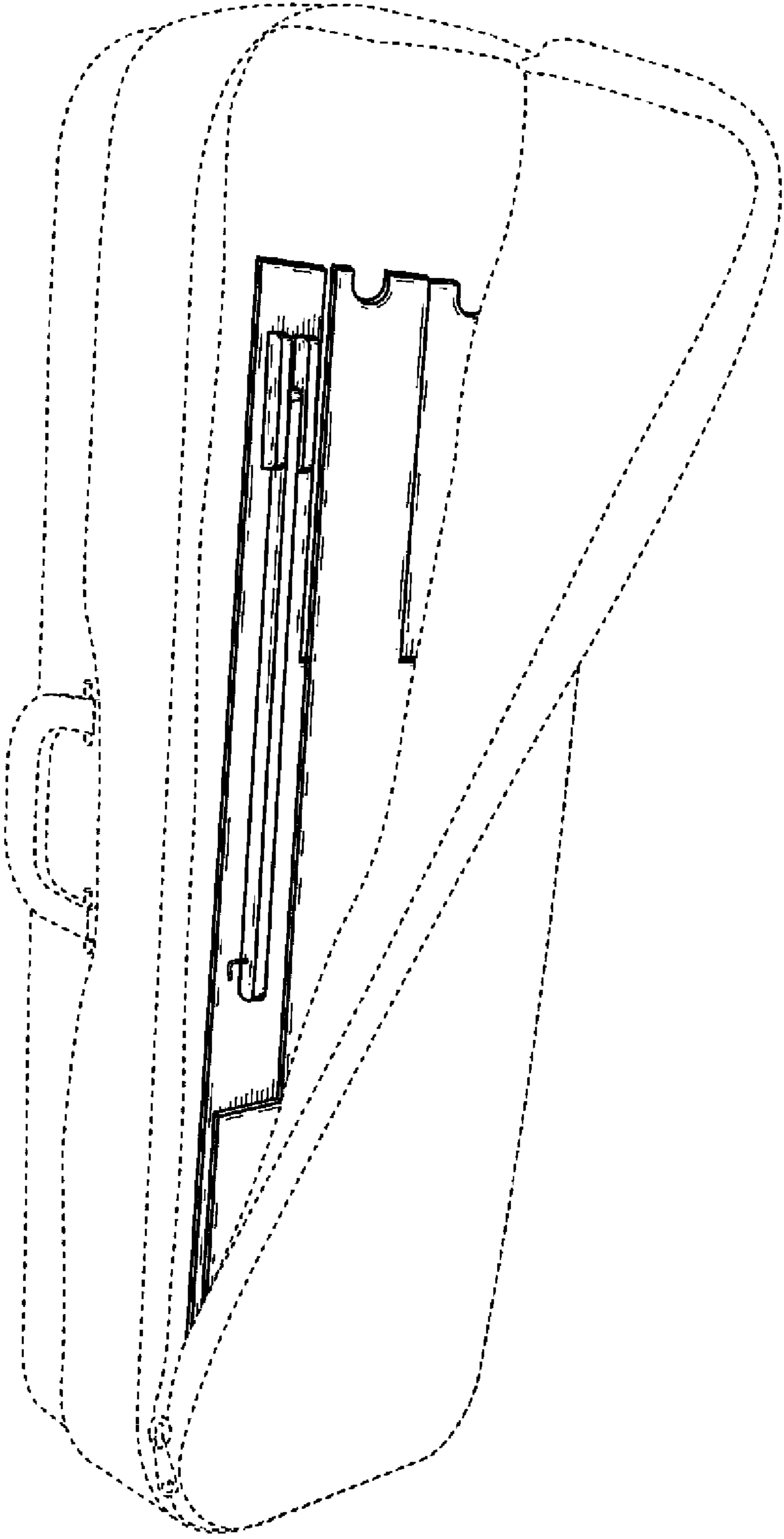


FIG. 9