



US00D642822S

(12) **United States Design Patent**  
**Cute**

(10) **Patent No.:** **US D642,822 S**

(45) **Date of Patent:** **\*\* Aug. 9, 2011**

(54) **HANGING POT STACKER**

(75) Inventor: **Joe Cute**, Geneva, IL (US)

(73) Assignee: **Sun Hill Industries, Inc.**, Fairfield, CT (US)

(\*\*) Term: **14 Years**

(21) Appl. No.: **29/364,134**

(22) Filed: **Jun. 18, 2010**

(51) **LOC (9) Cl.** ..... **11-02**

(52) **U.S. Cl.** ..... **D6/405**

(58) **Field of Classification Search** ..... D6/403-405,  
D6/556-558; D8/1; D11/143-156, 164;  
D19/77, 80, 81, 84; D25/100; D26/9-11,  
D26/16, 19; D34/1, 2, 4-6; D99/5, 19; 47/17,  
47/32.4, 32.5, 32.7, 33, 39, 41.01, 41.1, 41.11-41.15,  
47/44-47, 65, 65.5, 65.9, 66.1, 66.2, 66.6,  
47/66.7, 67-71

See application file for complete search history.

(56) **References Cited**

**U.S. PATENT DOCUMENTS**

52,200	A	*	1/1866	Prince	.....	47/67
D274,202	S	*	6/1984	Karapita	.....	D6/405
D283,091	S	*	3/1986	Meyer	.....	D6/403
5,309,671	A		5/1994	Byun		
6,381,902	B1		5/2002	Batshon		

D480,229	S	*	10/2003	Humphrey	.....	D6/403
D496,200	S	*	9/2004	Jackson et al.	.....	D6/556
6,895,713	B2		5/2005	Warren		
D506,160	S	*	6/2005	Lambert	.....	D11/148
6,983,561	B2		1/2006	Warren		
D517,343	S	*	3/2006	Hayes	.....	D6/403
D574,670	S	*	8/2008	Grady	.....	D7/620
D588,873	S	*	3/2009	Schietecatte et al.	.....	D7/620
D605,901	S	*	12/2009	Price	.....	D6/405
2009/0077878	A1	*	3/2009	Simpson et al.	.....	47/46

\* cited by examiner

*Primary Examiner* — Garth Rademaker

(74) *Attorney, Agent, or Firm* — Thorp Reed & Armstrong, LLP; Paul D. Bangor, Jr.; Stephen H. Montgomery

(57) **CLAIM**

The ornamental design for a hanging pot stacker, as shown and described.

**DESCRIPTION**

FIG. 1 is a perspective view of a hanging pot stacker showing my new design;

FIG. 2 is a left elevational view thereof;

FIG. 3 is a right elevational view thereof;

FIG. 4 is a front elevational view thereof;

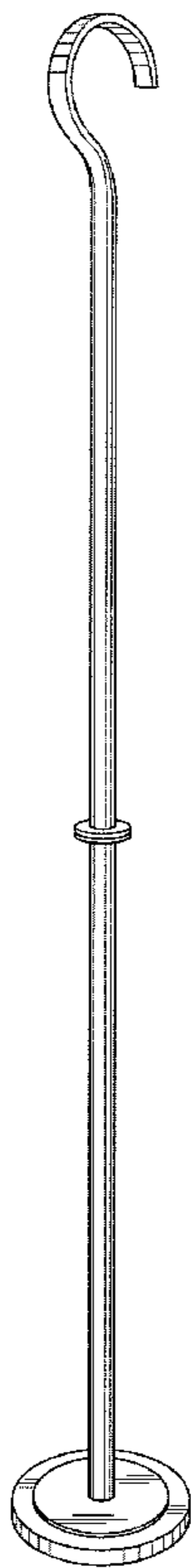
FIG. 5 is a rear elevational view thereof;

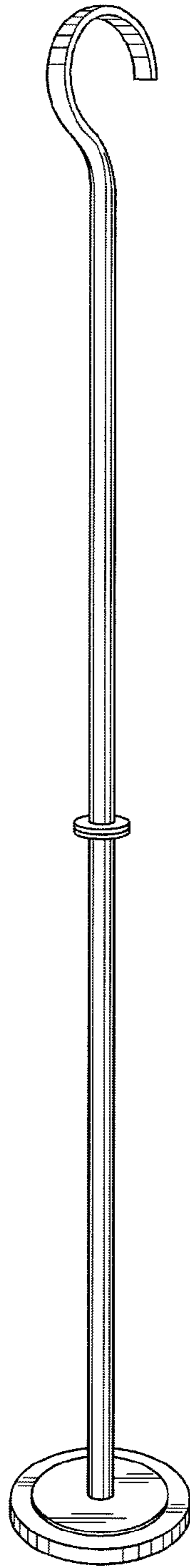
FIG. 6 is a top plan view thereof; and,

FIG. 7 is a bottom plan view thereof.

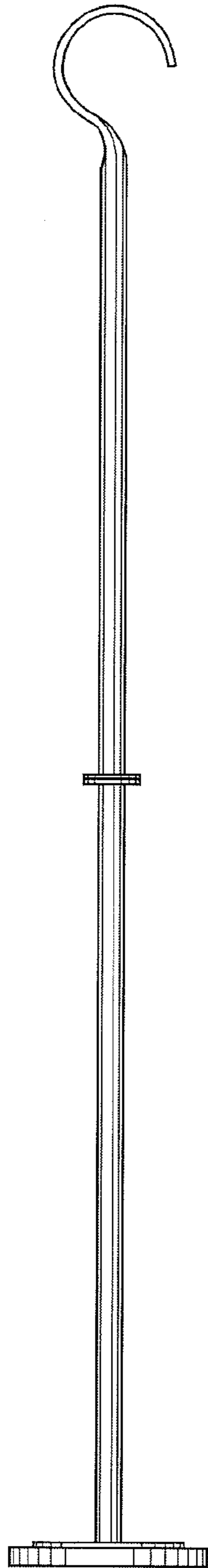
The broken lines depict environmental subject matter only and form no part of the claimed design.

**1 Claim, 4 Drawing Sheets**

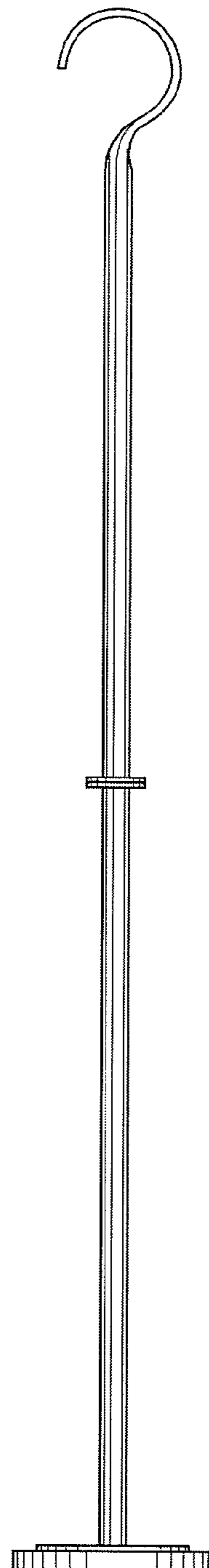




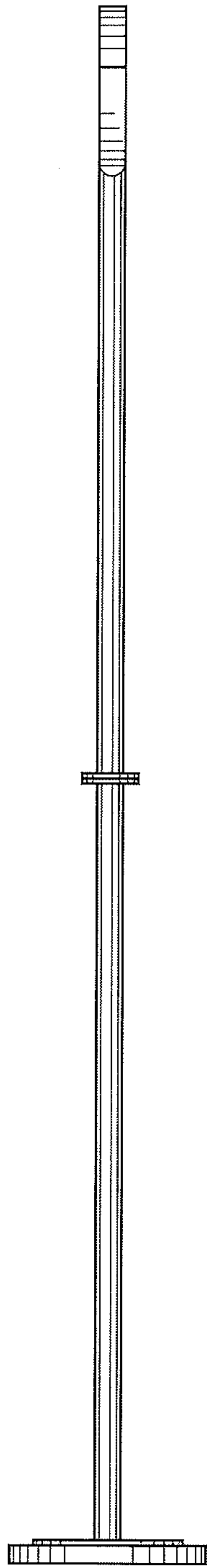
*Fig.1*



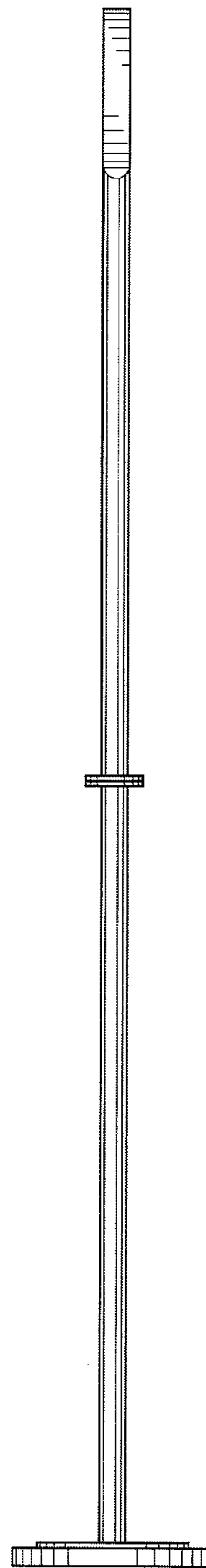
*Fig. 2*



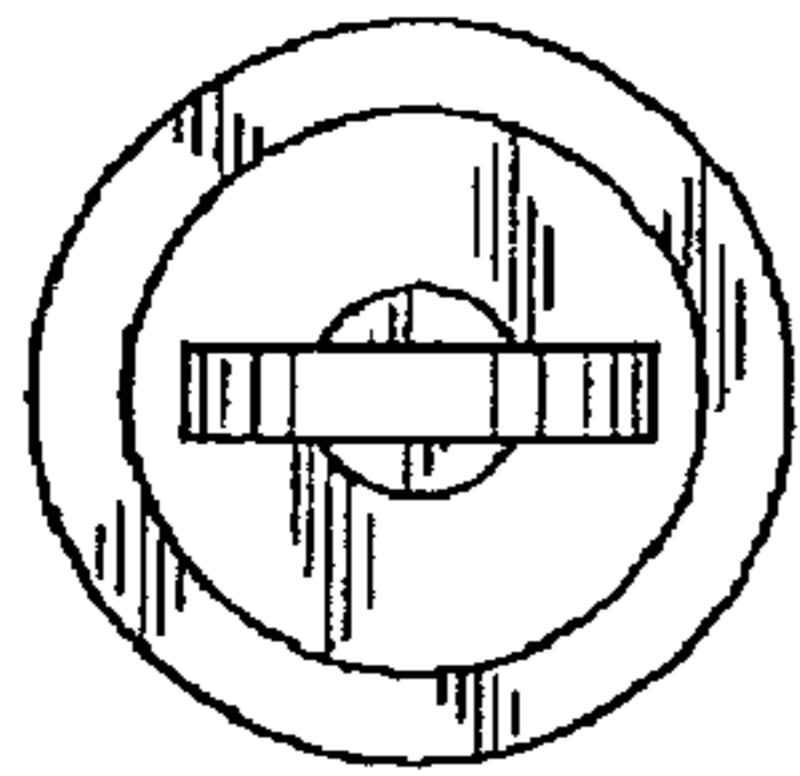
*Fig. 3*



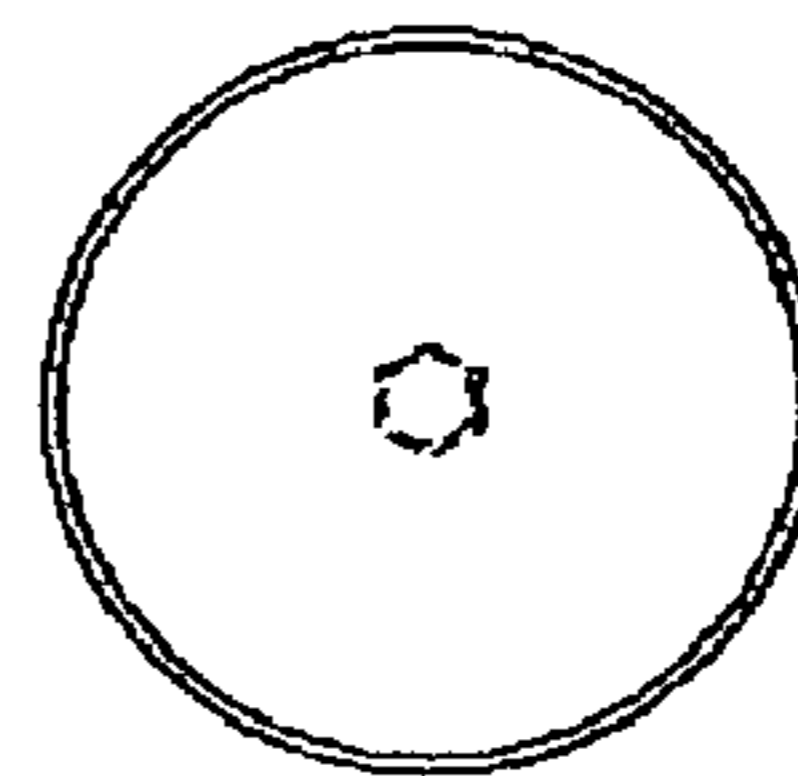
*Fig. 4*



*Fig. 5*



*Fig. 6*



*Fig. 7*