



US00D642819S

(12) **United States Design Patent**
Piretti

(10) **Patent No.:** **US D642,819 S**
(45) **Date of Patent:** **** Aug. 9, 2011**

- (54) **CHAIR**
- (75) Inventor: **Giancarlo Piretti**, Bologna (IT)
- (73) Assignee: **Pro-Cord S.p.A.**, Bologna (IT)
- (**) Term: **14 Years**
- (21) Appl. No.: **29/319,333**
- (22) Filed: **Jun. 6, 2008**
- (51) **LOC (9) Cl.** **06-01**
- (52) **U.S. Cl.** **D6/379**
- (58) **Field of Classification Search** D6/334-336,
D6/360-369, 373-374, 379-380, 498, 500-502;
297/284.4, 291, 297, 411.27, 452.13, 452.19,
297/452.21, 452.29, 452.3, 452.56, 452.64
See application file for complete search history.

- D457,739 S 5/2002 Pearce et al.
- 6,412,869 B1 7/2002 Pearce
- 6,669,301 B1 12/2003 Funk et al.
- D509,671 S 9/2005 Olson et al.
- D509,969 S 9/2005 Loew et al.
- D515,331 S 2/2006 Piretti

(Continued)

Primary Examiner — Ricky Pham

(74) *Attorney, Agent, or Firm* — Andrus, Scales, Starke & Sawall, LLP

(57) **CLAIM**

The ornamental design of a chair, as shown and described.

DESCRIPTION

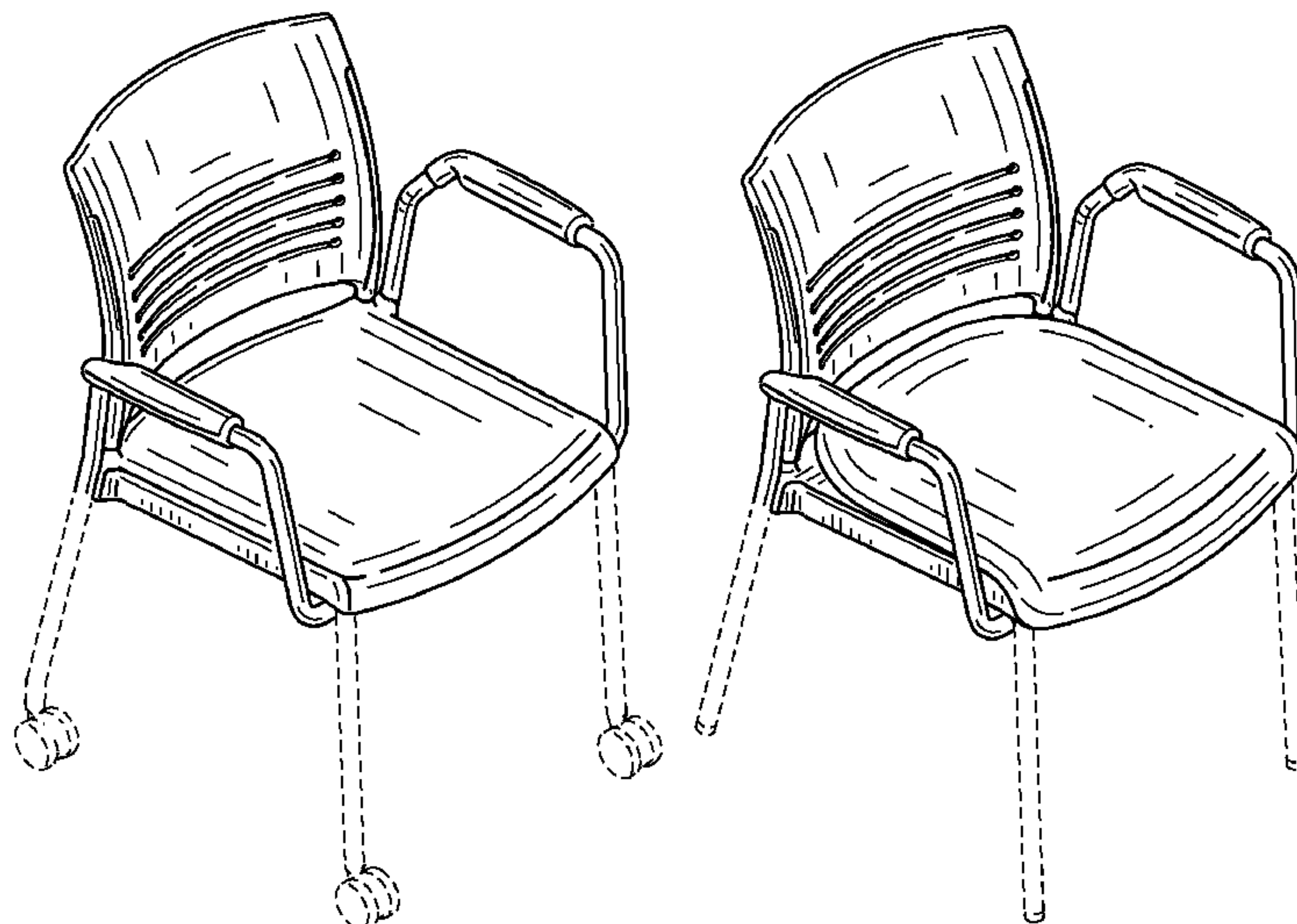
FIG. 1 an isometric view of an arm version of a chair incorporating my new design, wherein the portions in phantom illustrate environment and form no part of the claimed design; FIG. 2 is a front elevation view thereof; FIG. 3 is a right side elevation view thereof, wherein the left side elevation view is a mirror image; FIG. 4 is a rear elevation view thereof; FIG. 5 is a top plan view thereof; FIG. 6 is an isometric view of another embodiment of an arm version of a chair incorporating my new design; FIG. 7 is a front elevation view thereof; FIG. 8 is a right side elevation view thereof, wherein the left side elevation view is a mirror image; FIG. 9 is a rear elevation view thereof; FIG. 10 is a top plan view thereof; FIG. 11 is an isometric view of another embodiment of an arm version of a chair incorporating my new design, wherein the portions in phantom illustrate environment and form no part of the claimed design; FIG. 12 is a front elevation view thereof; FIG. 13 is a right side elevation view thereof, wherein the left side elevation view is a mirror image; FIG. 14 is a rear elevation view thereof; and, FIG. 15 is a top plan view thereof.

1 Claim, 6 Drawing Sheets

(56) **References Cited**

U.S. PATENT DOCUMENTS

3,111,344 A	11/1963	Hoven et al.
D202,264 S	9/1965	Albinson
D214,315 S	6/1969	Bartholomew
D272,587 S	2/1984	Pamberg
D274,771 S	7/1984	Ambasz et al.
D284,048 S	6/1986	Ambasz et al.
D289,120 S	4/1987	Chadwick et al.
D292,149 S	10/1987	Monesi
4,733,910 A	3/1988	Brennan
D298,390 S	11/1988	Bellini
D299,192 S	1/1989	Chadwick et al.
D300,885 S	5/1989	Ochsner
D305,285 S	1/1990	Piretti
D352,183 S	11/1994	Sheridan
D370,360 S	6/1996	Fewchuk
D374,561 S	10/1996	Meijer
D378,553 S	3/1997	Newhouse
D385,425 S	10/1997	Goetz
D417,970 S	12/1999	Duffy et al.
D433,578 S	11/2000	Saul
D436,751 S	1/2001	Schacht
D446,037 S	8/2001	Koepke et al.
D451,693 S	12/2001	Pearce et al.
D455,570 S	4/2002	Kita



US D642,819 S

Page 2

U.S. PATENT DOCUMENTS

7,118,177	B2	10/2006	Piretti	
D540,559	S	4/2007	Neil	
D564,264	S *	3/2008	Smith et al.	D6/500
D574,646	S *	8/2008	Su	D6/502
D579,226	S *	10/2008	Pinaffo et al.	D6/379
D583,162	S *	12/2008	Vallet et al.	D6/369
D587,477	S *	3/2009	Neil	D6/379
D592,876	S *	5/2009	Smith et al.	D6/380
D597,332	S *	8/2009	Carmon	D6/369
D599,125	S *	9/2009	Piretti	D6/366
D600,052	S *	9/2009	Smith et al.	D6/502
D600,465	S *	9/2009	Kumazawa	D6/373
D600,954	S *	9/2009	Kumazawa	D6/502
D601,822	S *	10/2009	Neil	D6/379
D602,268	S *	10/2009	Viererbl	D6/334
D602,276	S *	10/2009	Neil	D6/374
D605,421	S *	12/2009	Baldanzi	D6/368
D606,771	S *	12/2009	Chadwick	D6/373
D607,654	S *	1/2010	Fewchuk	D6/374
D607,661	S *	1/2010	Chadwick	D6/380
D609,035	S *	2/2010	Muller	D6/500
D609,487	S *	2/2010	Kumazawa	D6/373
D609,488	S *	2/2010	Kumazawa	D6/373
D610,816	S *	3/2010	Keichel et al.	D6/334
7,686,395	B2 *	3/2010	Piretti	297/297
D617,568	S *	6/2010	Kumazawa	D6/373
D618,004	S *	6/2010	DeSanta et al.	D6/366
2002/0117883	A1 *	8/2002	Gevaert	297/291
2003/0164635	A1	9/2003	Batthey et al.	

* cited by examiner

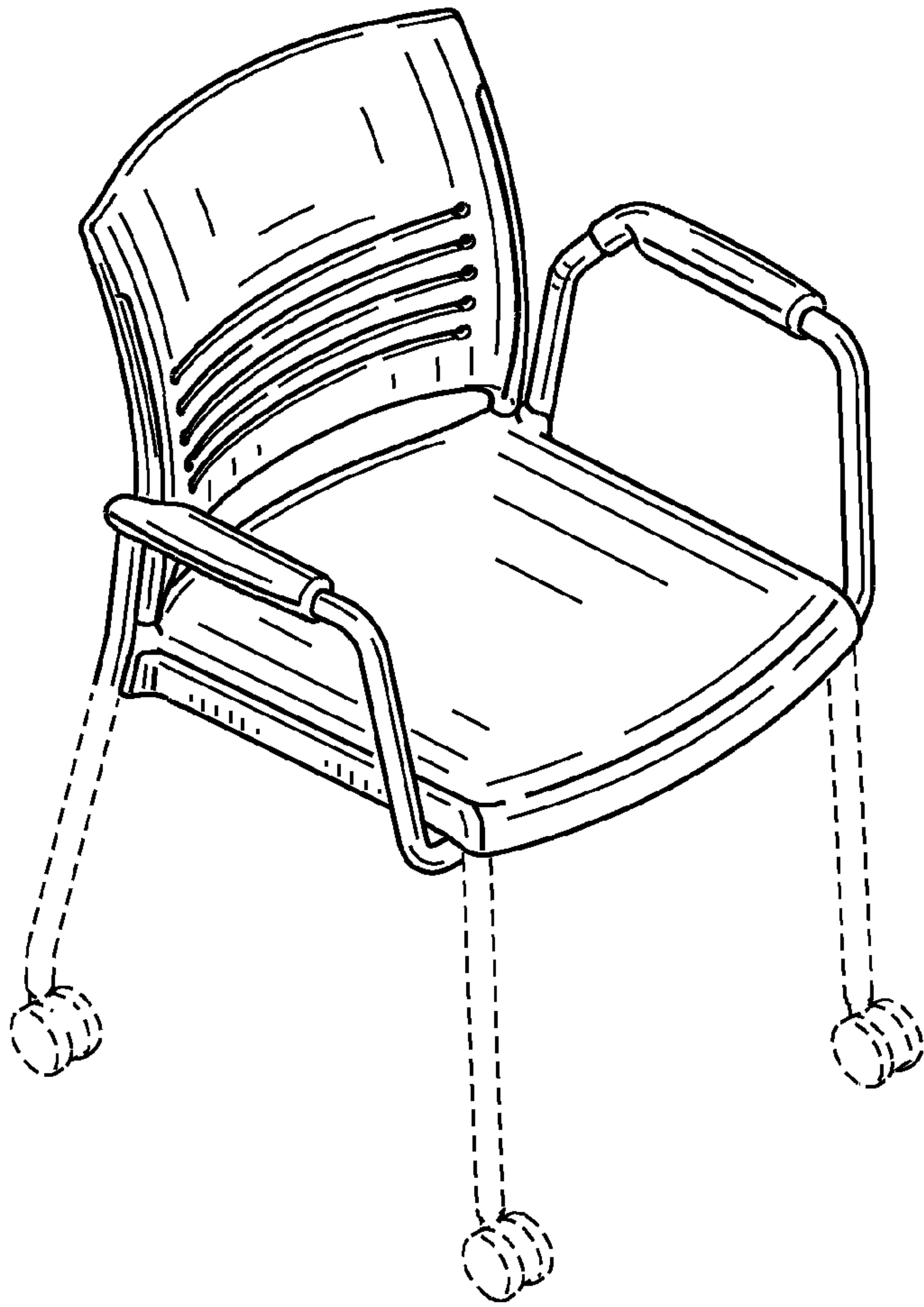


FIG. 1

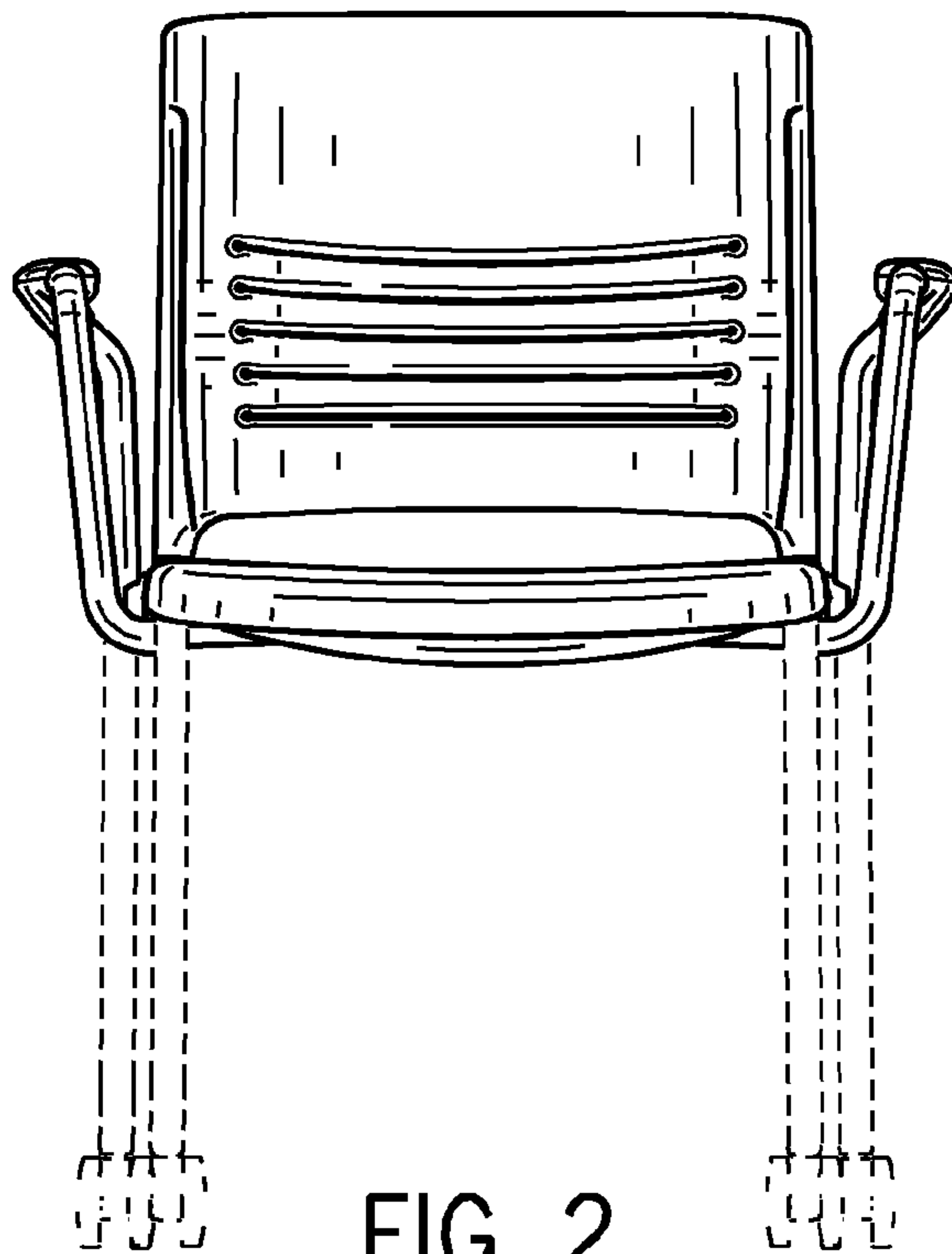


FIG. 2

FIG. 3

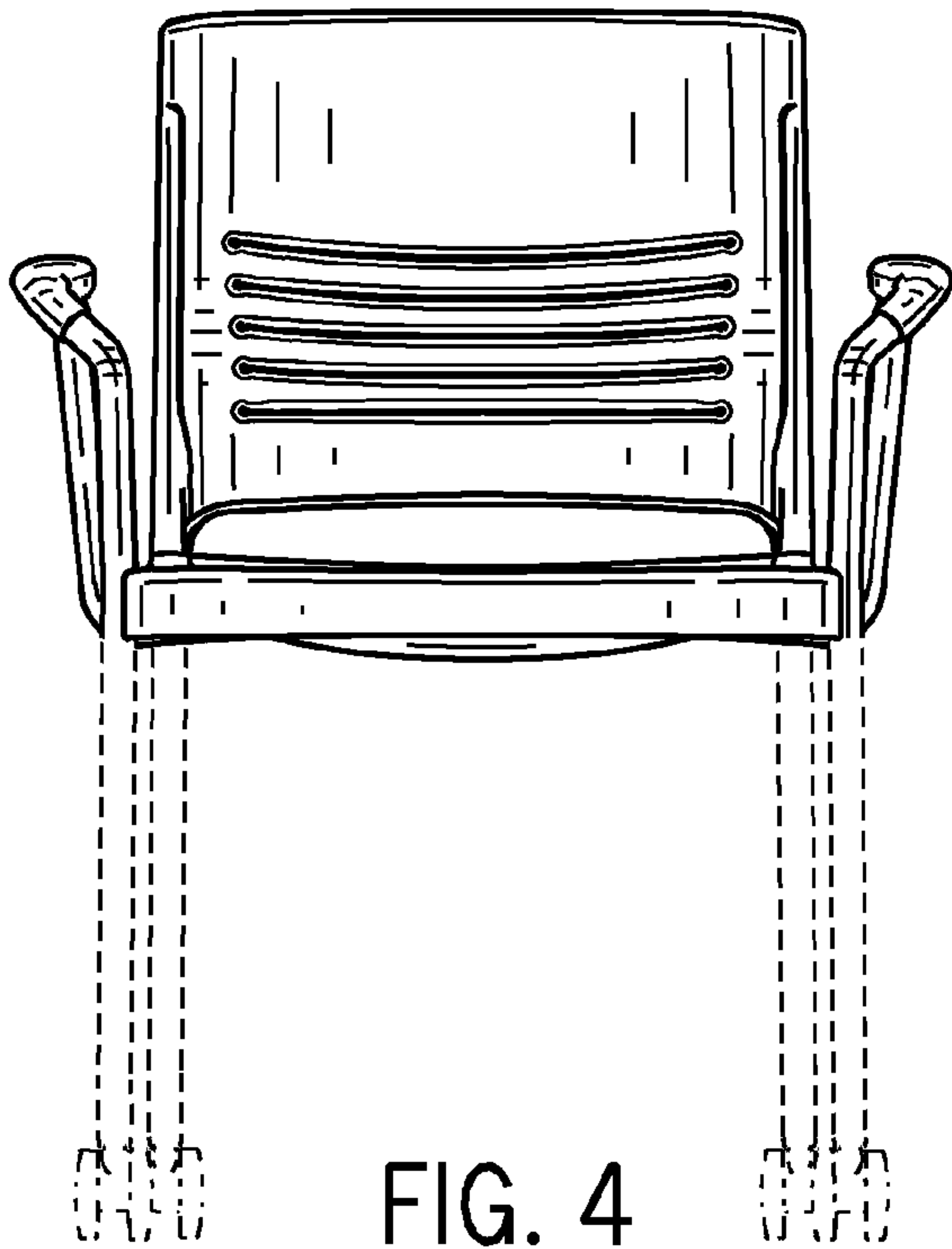
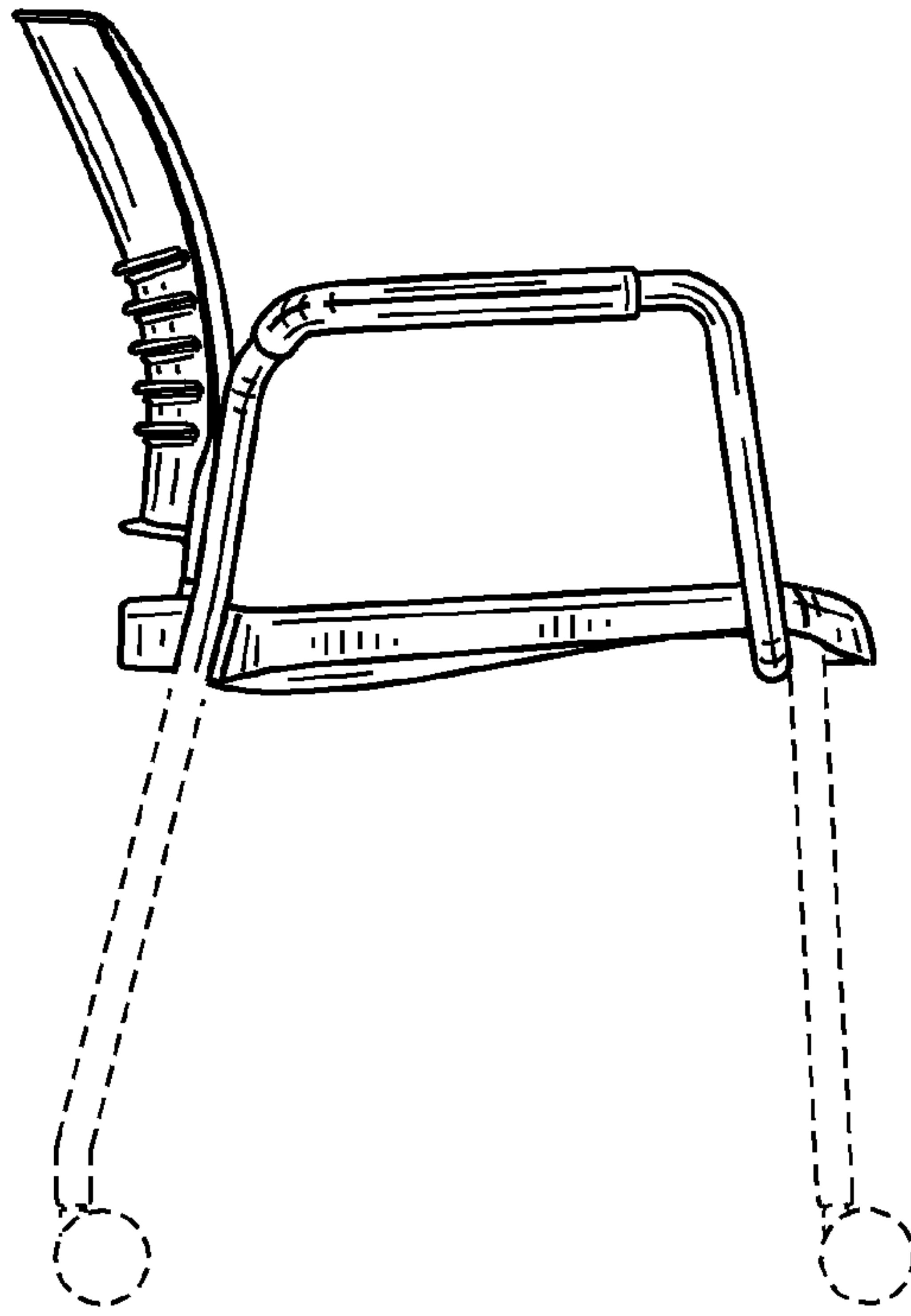
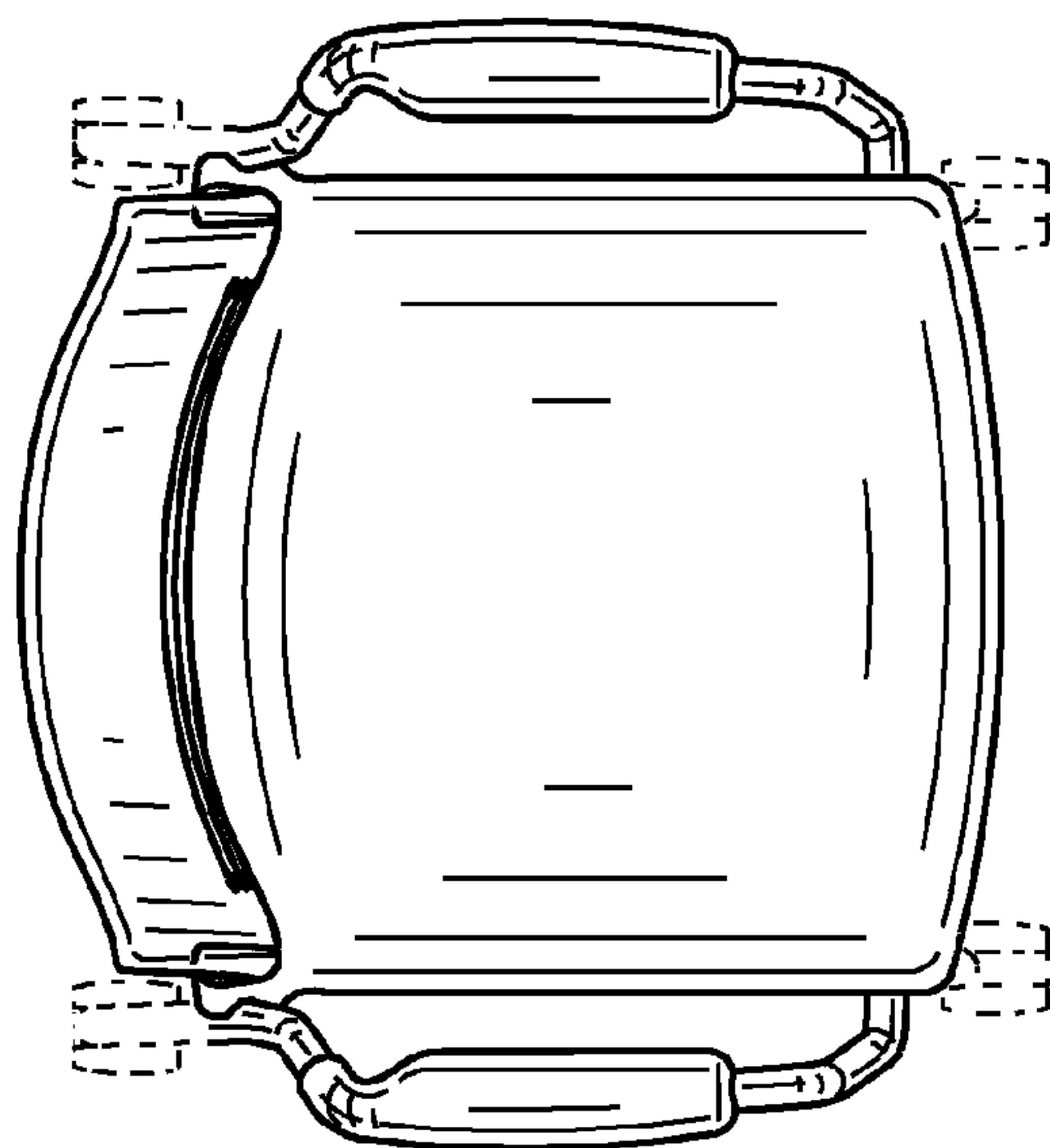


FIG. 4

FIG. 5



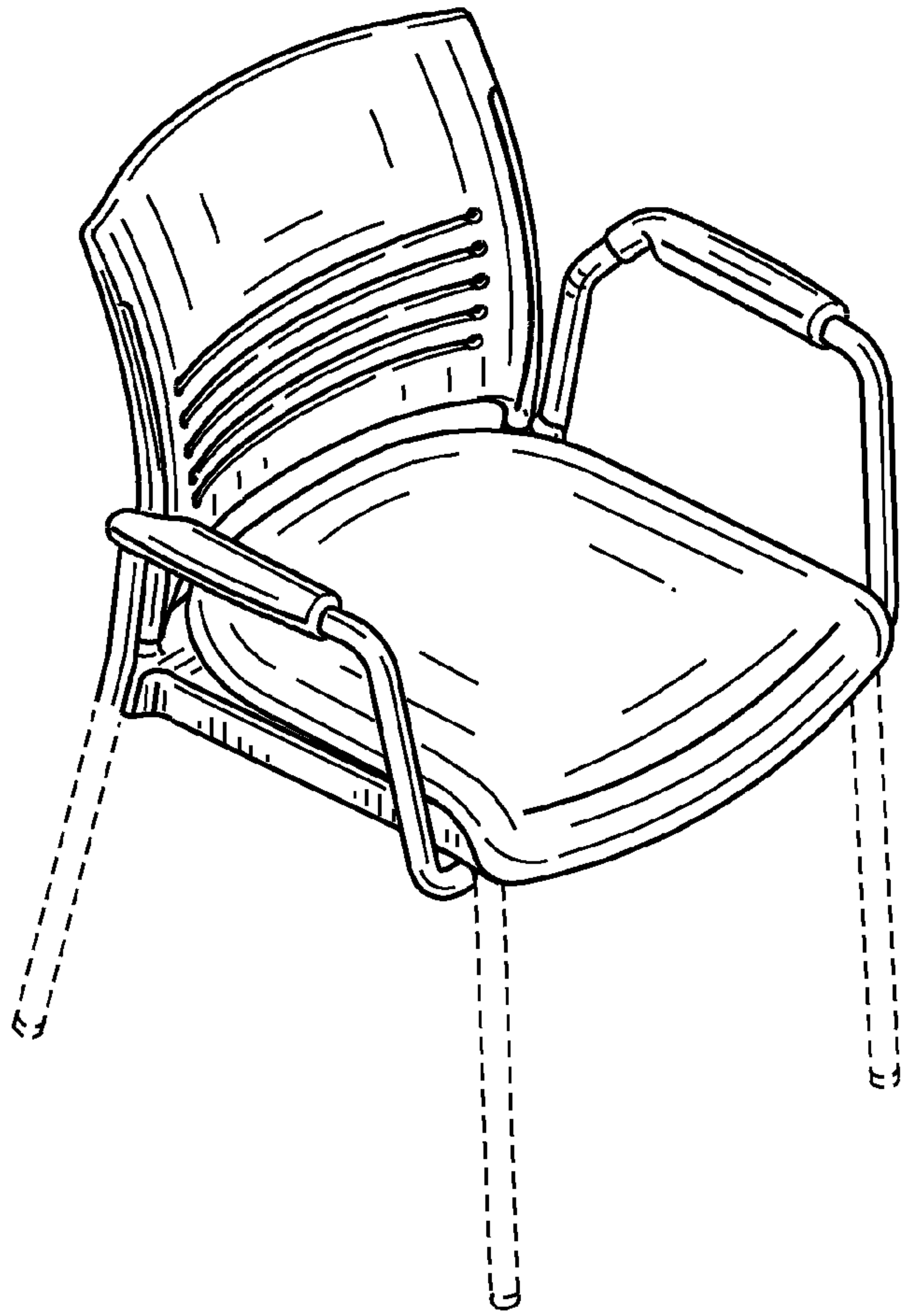


FIG. 6

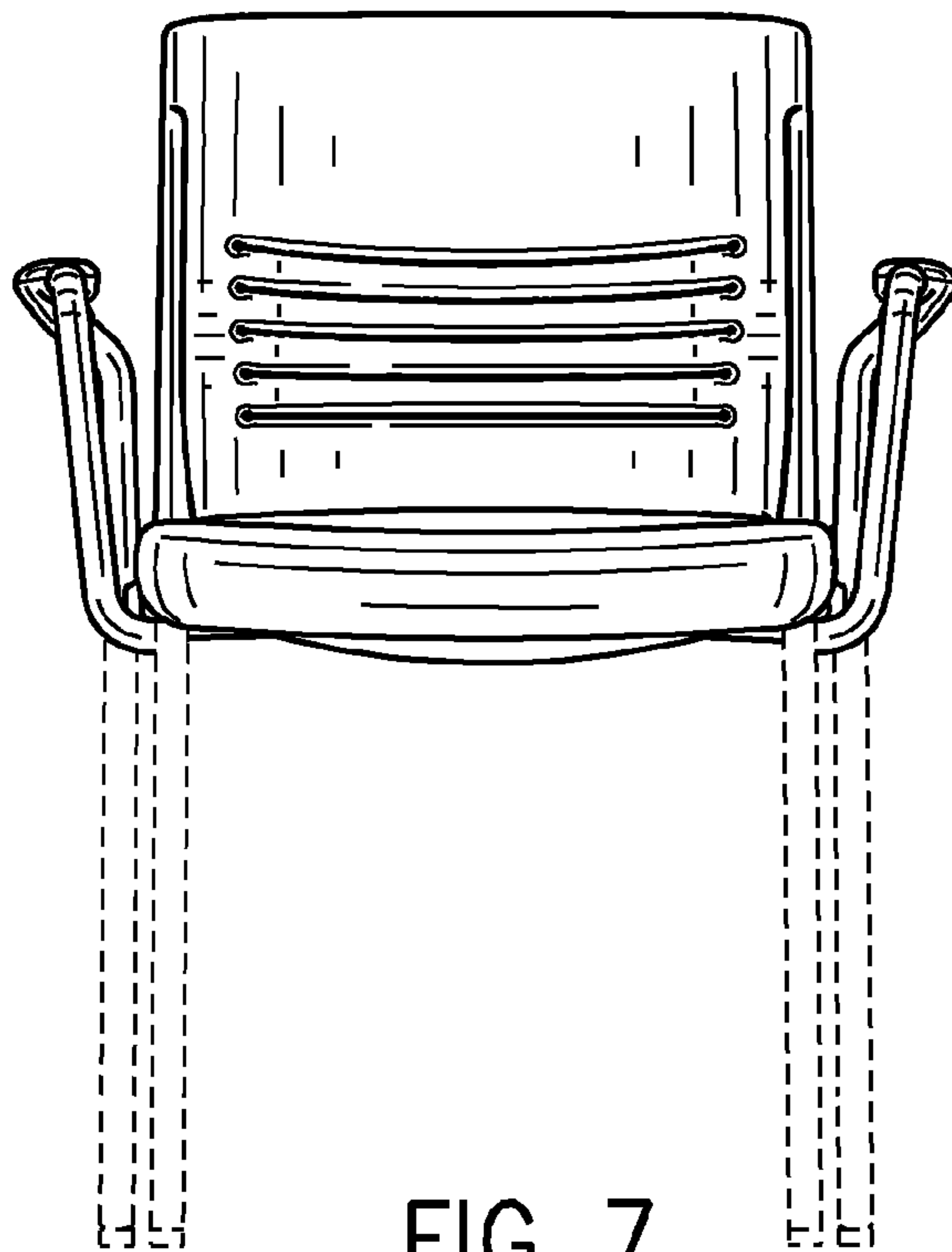


FIG. 7

FIG. 8

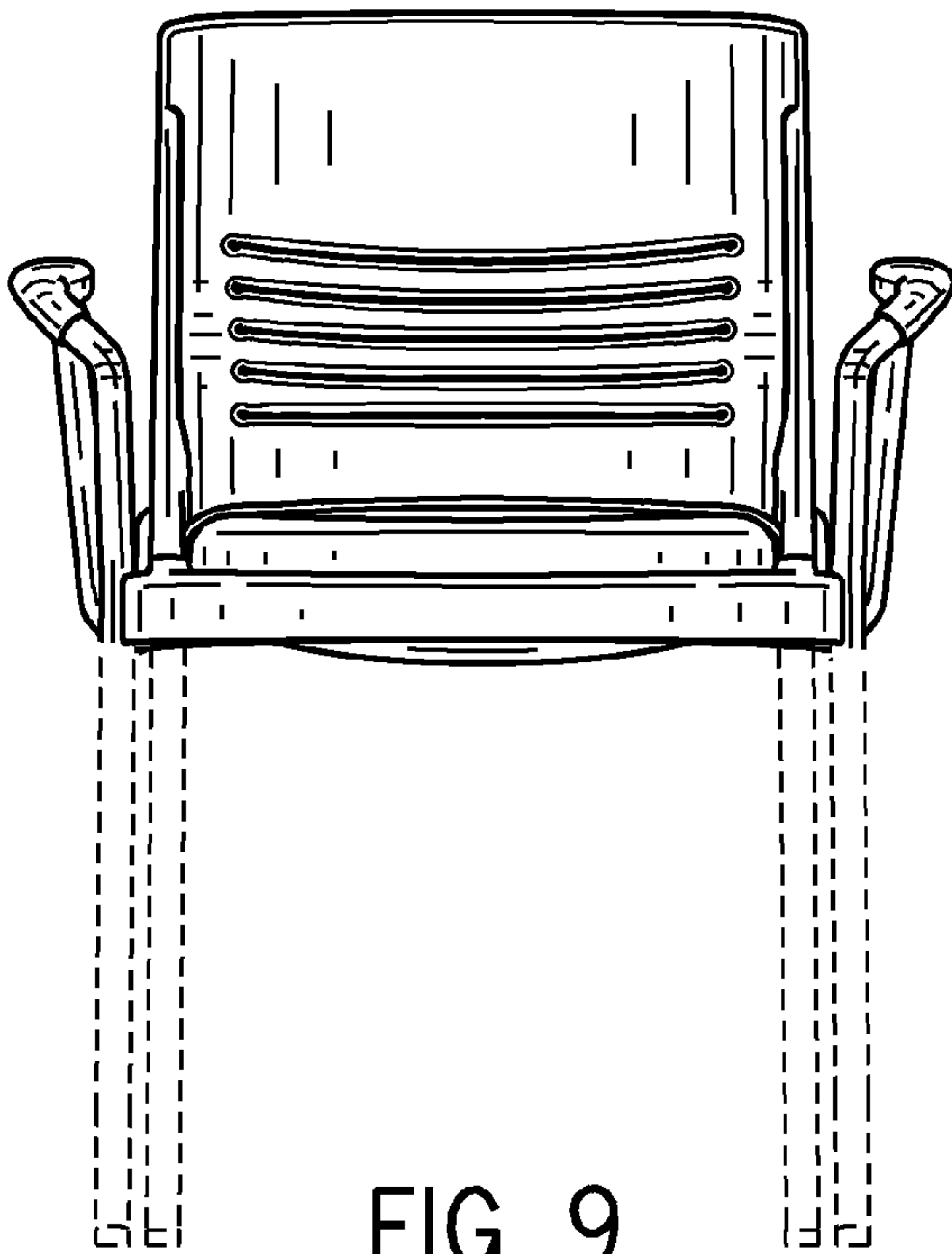
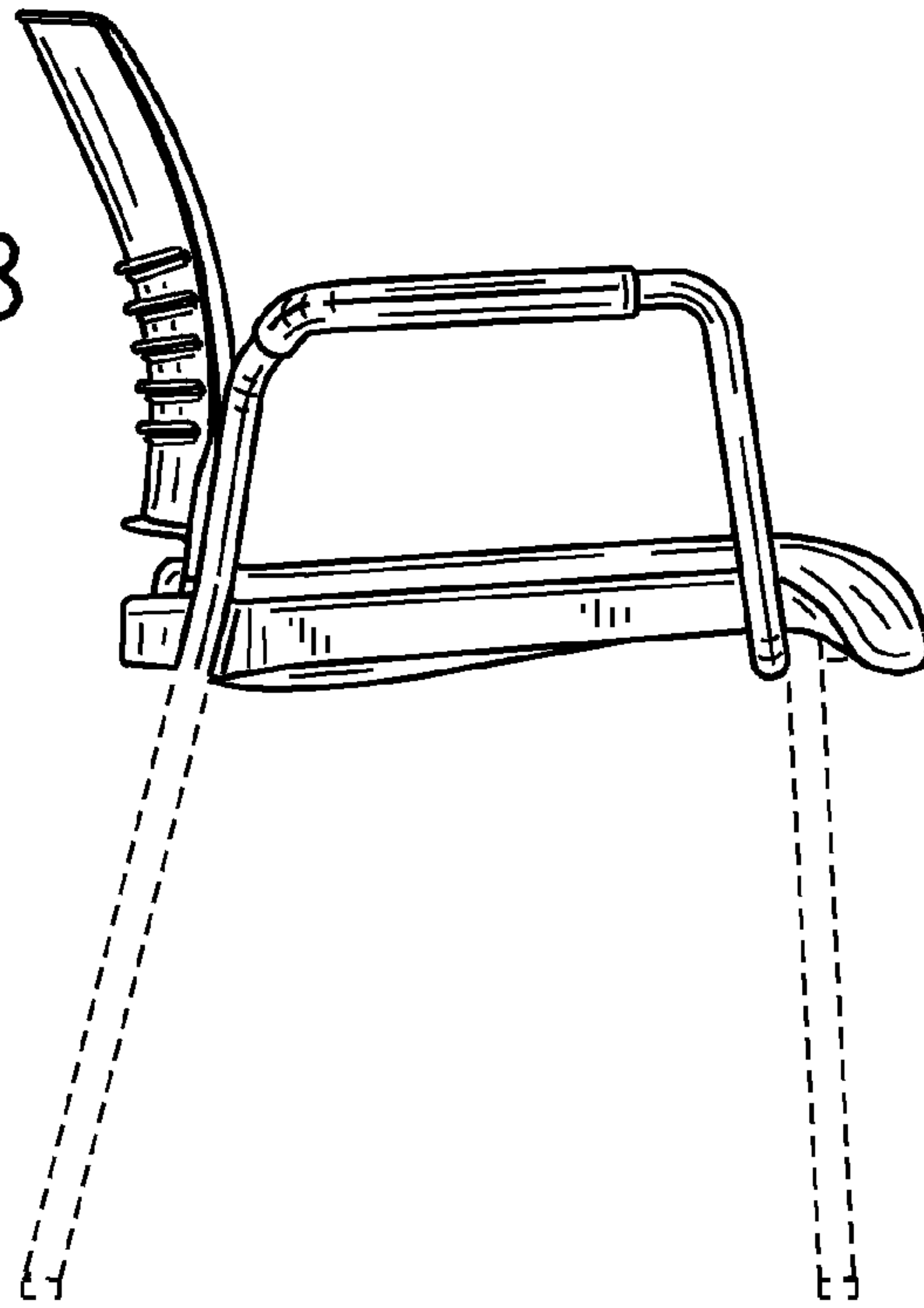
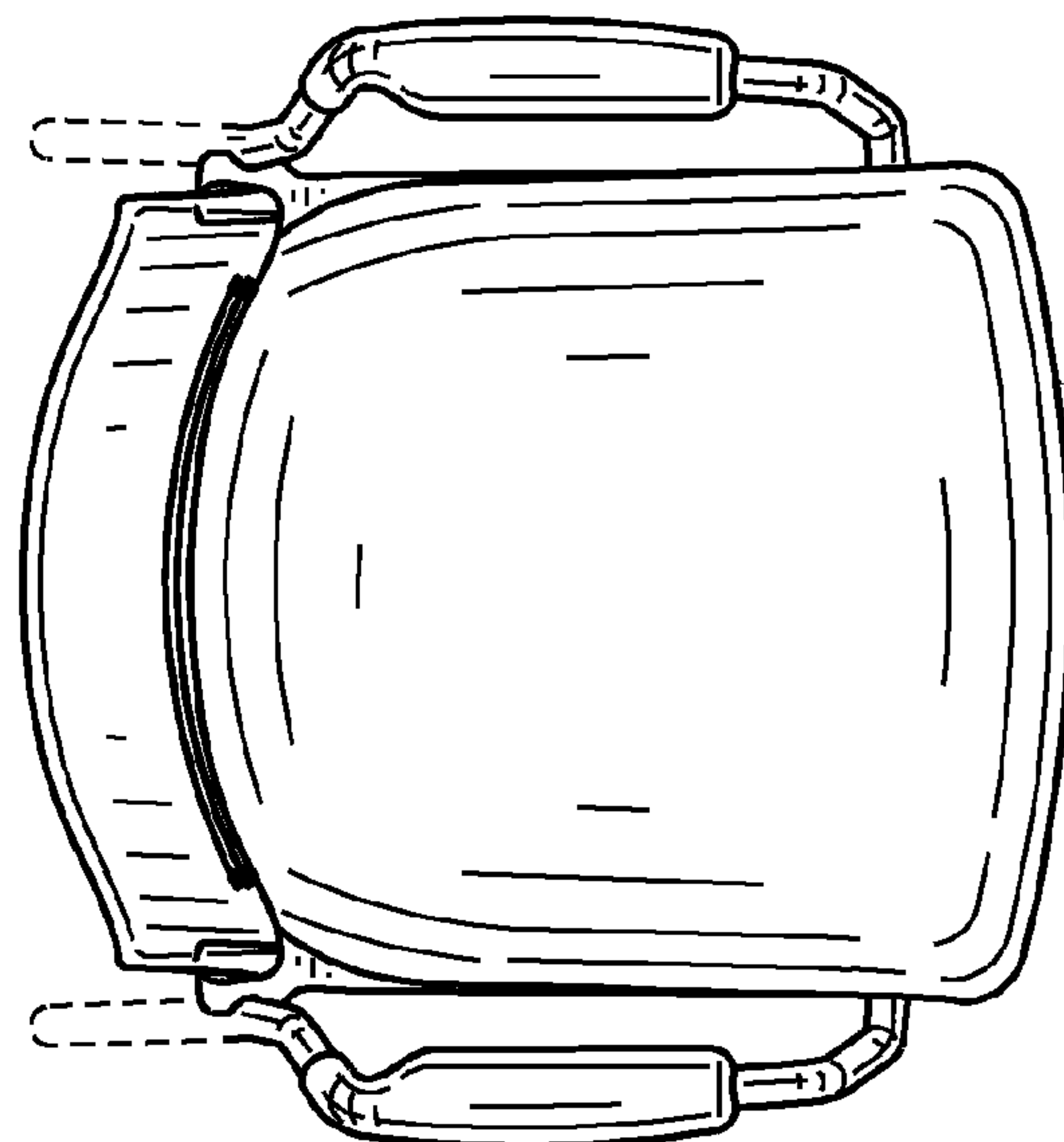


FIG. 9

FIG. 10



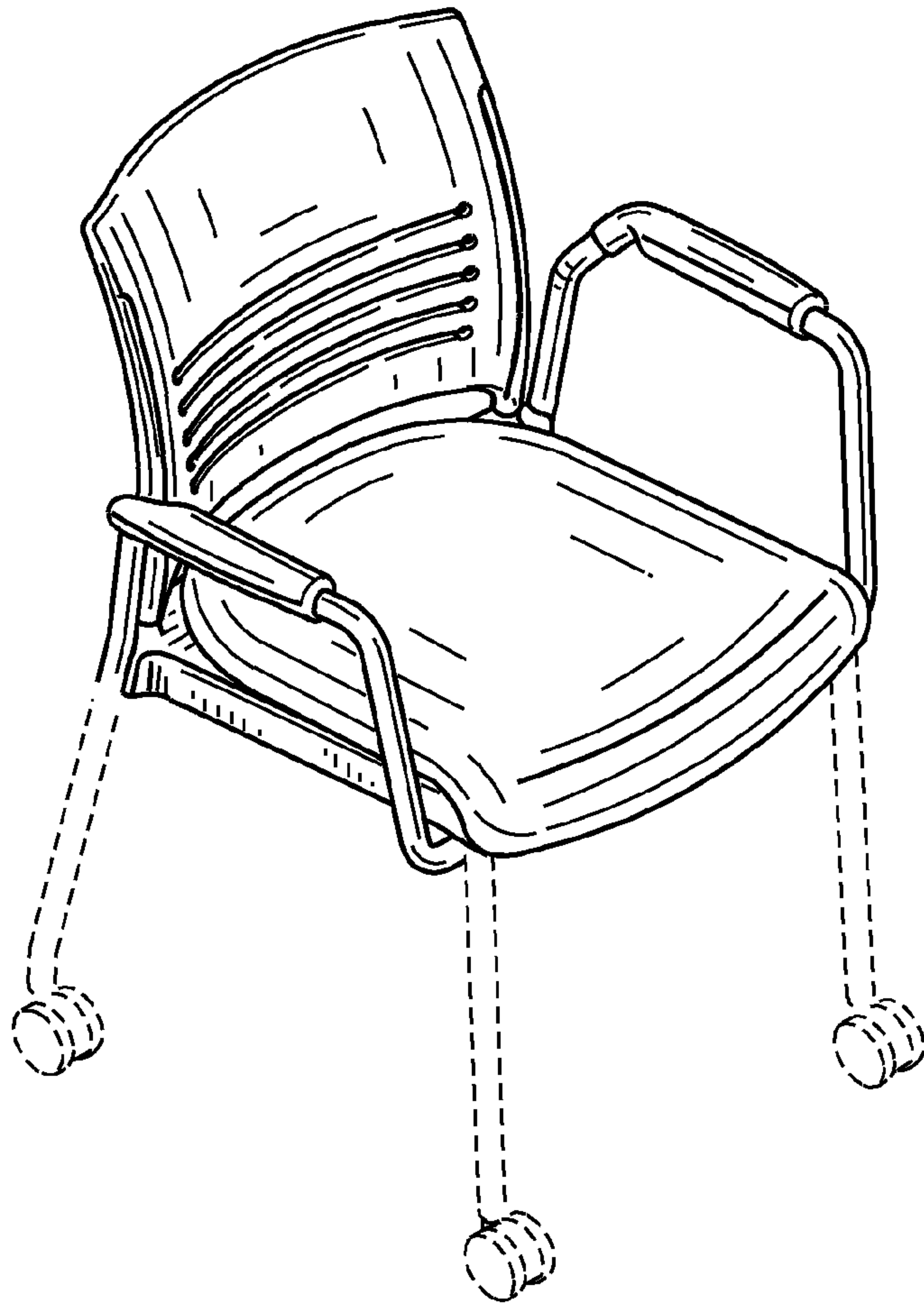


FIG. 11

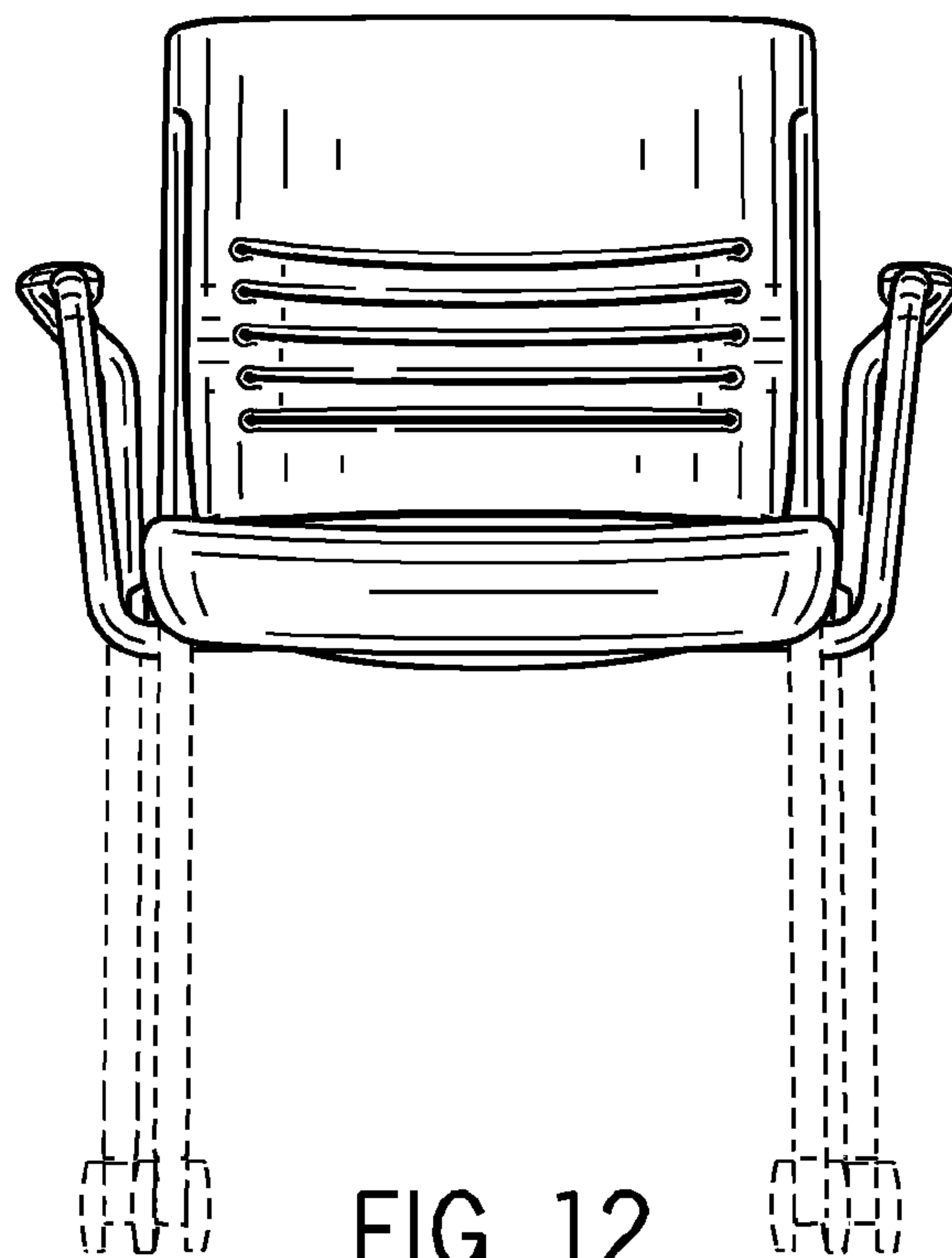


FIG. 12

FIG. 13

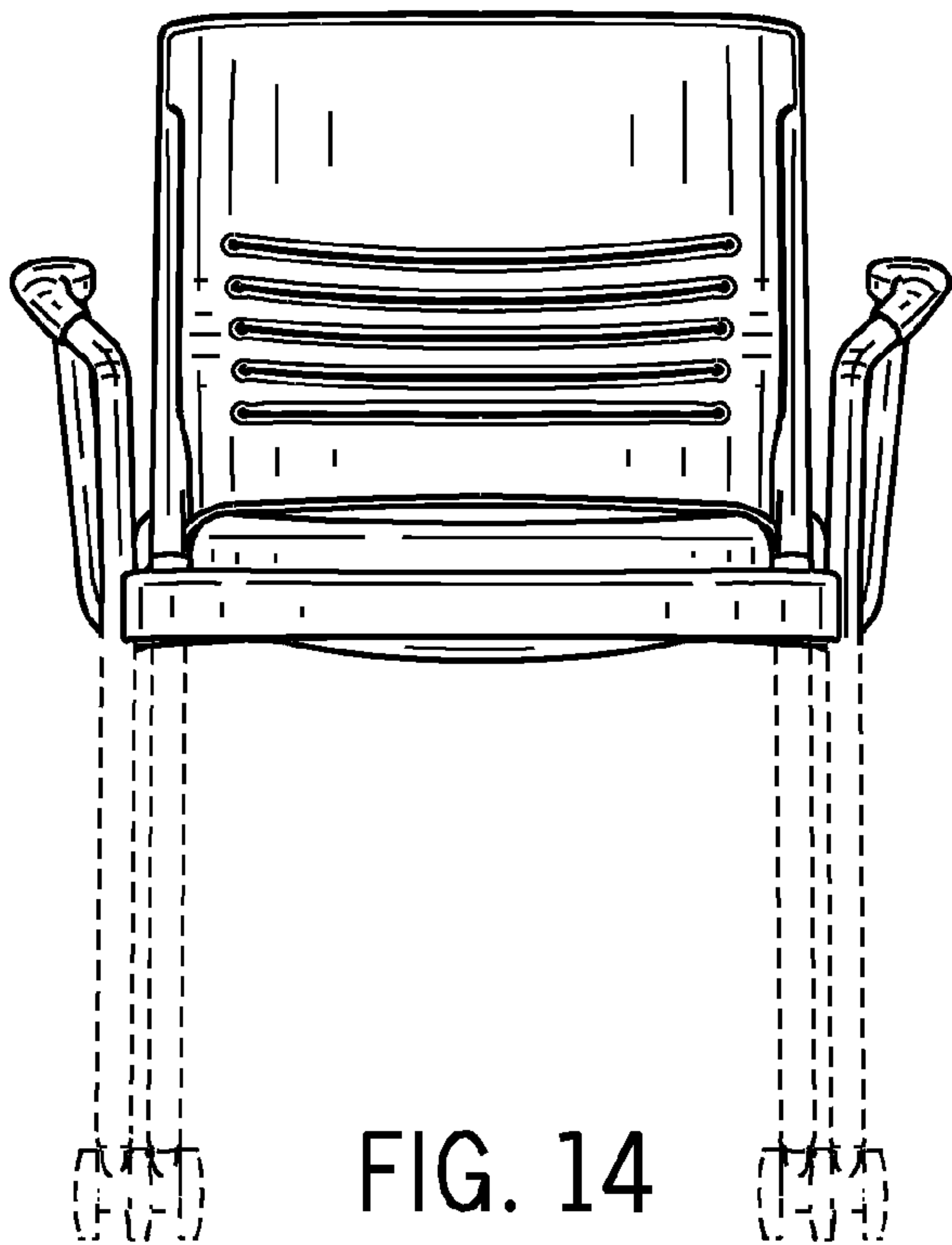
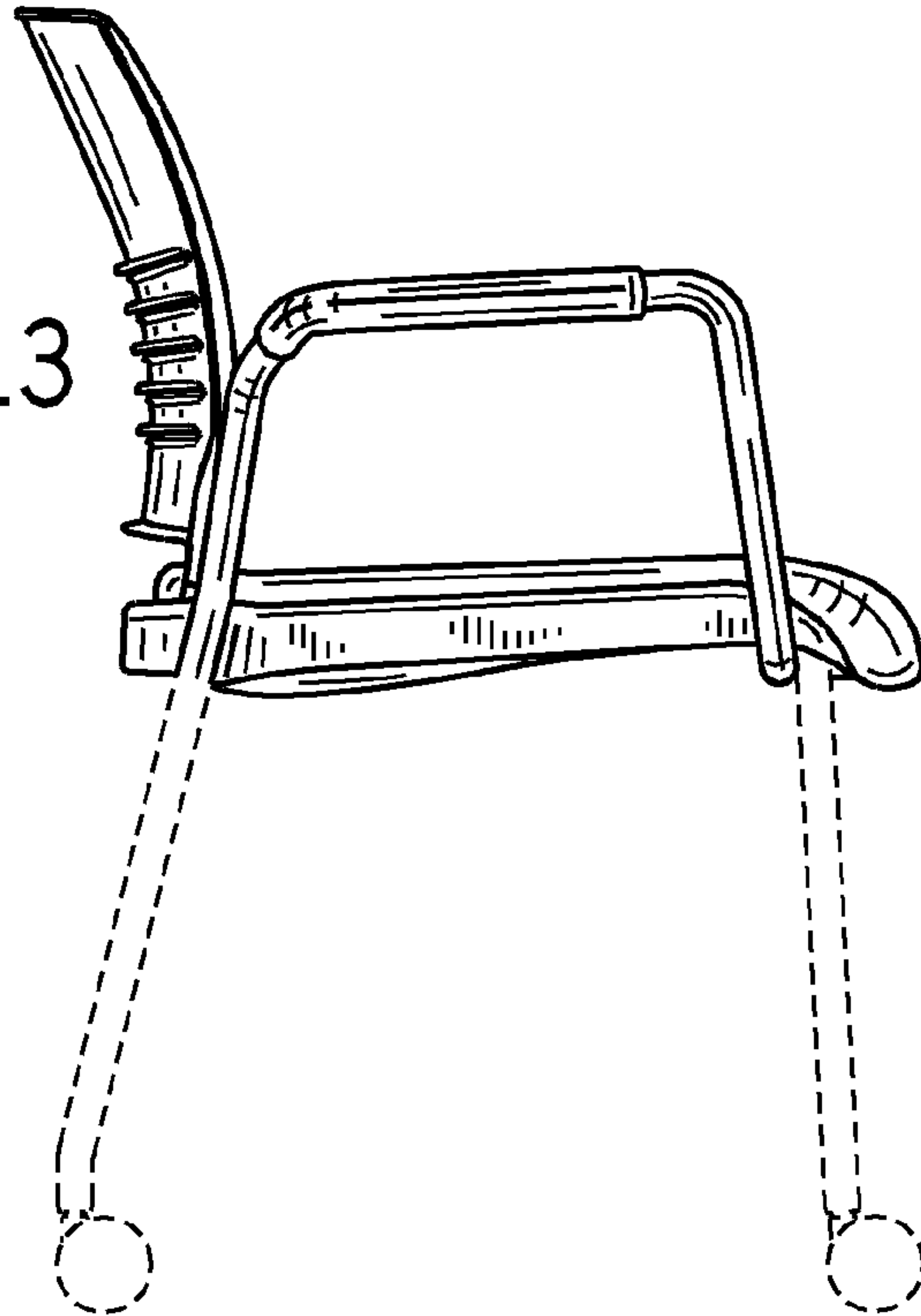
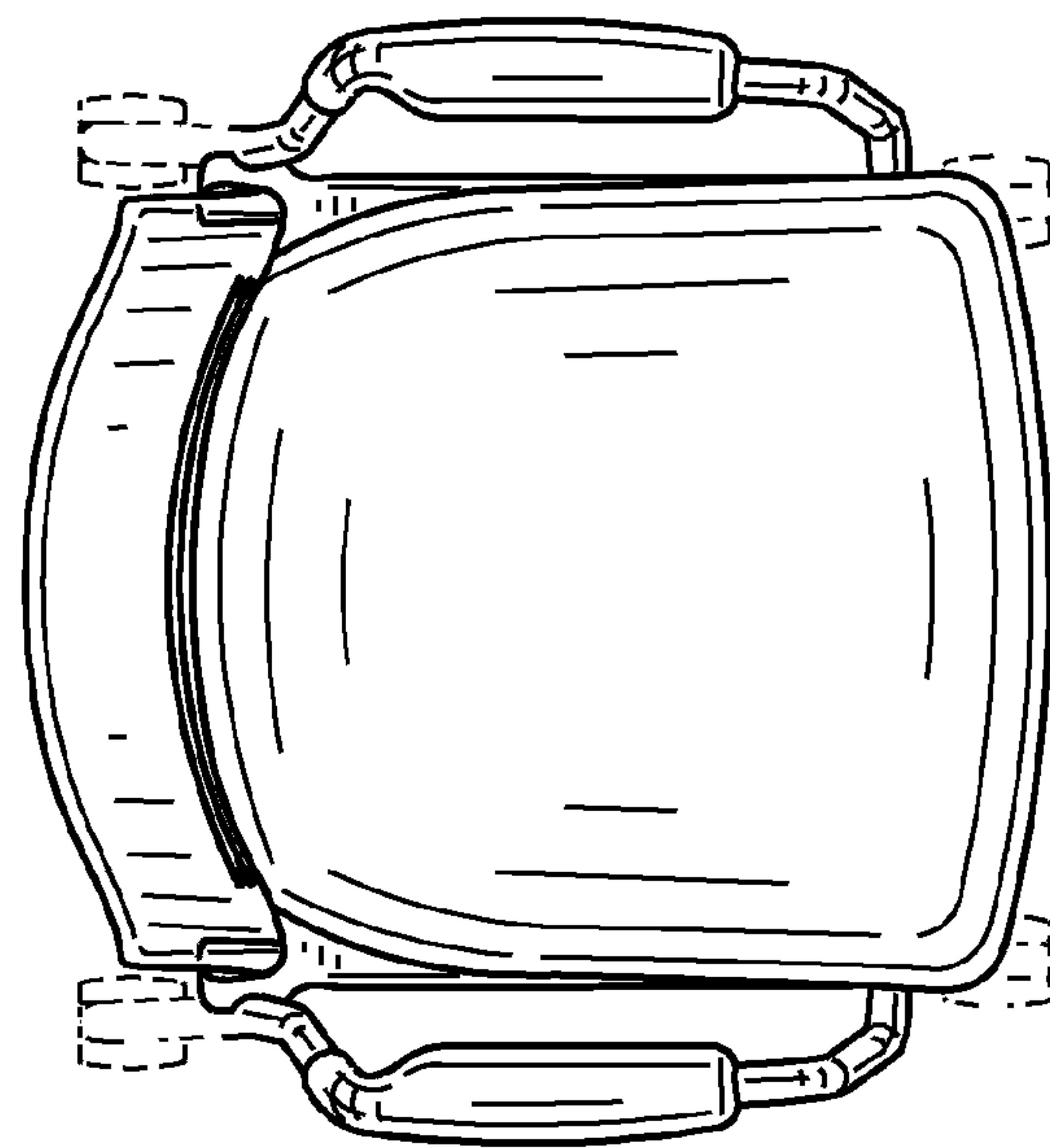


FIG. 14

FIG. 15



UNITED STATES PATENT AND TRADEMARK OFFICE
CERTIFICATE OF CORRECTION

PATENT NO. : D642,819 S
APPLICATION NO. : 29/319333
DATED : August 9, 2011
INVENTOR(S) : Giancarlo Piretti

Page 1 of 1

It is certified that error appears in the above-identified patent and that said Letters Patent is hereby corrected as shown below:

On the Title page, FIG. 6 should read:

FIG. 6 is an isometric view of another embodiment of an arm version of a chair incorporating my new design, --wherein the portions in phantom illustrate environment and form no part of the claimed design;--

Signed and Sealed this
Twenty-second Day of November, 2011

A handwritten signature in black ink that reads "David J. Kappos". The signature is written in a cursive, slightly slanted style.

David J. Kappos
Director of the United States Patent and Trademark Office