



US00D642818S

(12) **United States Design Patent**
Caldwell

(10) **Patent No.:** **US D642,818 S**

(45) **Date of Patent:** **** Aug. 9, 2011**

(54) **CHAIR**

(76) **Inventor:** **John Caldwell, San Marino, CA (US)**

(**) **Term:** **14 Years**

(21) **Appl. No.:** **29/379,259**

(22) **Filed:** **Nov. 17, 2010**

(51) **LOC (9) Cl.** **06-01**

(52) **U.S. Cl.** **D6/375**

(58) **Field of Classification Search** D6/334-336,
D6/360, 365, 371-373, 374, 375, 376, 379,
D6/380, 500-502; 297/445.1, 446.1, 448.1,
297/448.2, 452.13, 452.19

See application file for complete search history.

(56) **References Cited**

U.S. PATENT DOCUMENTS

D215,837 S *	11/1969	Stephens	D6/375
D299,986 S *	2/1989	Doughty	D6/365
D300,189 S *	3/1989	Frinier	D6/379
D362,557 S *	9/1995	Escalona	D6/375

D496,172 S *	9/2004	Pluer	D6/376
D497,491 S *	10/2004	Pluer	D6/376
D618,005 S *	6/2010	Heltemes et al.	D6/375

* cited by examiner

Primary Examiner — Mimosa De

(74) *Attorney, Agent, or Firm* — Lott & Fischer, PL

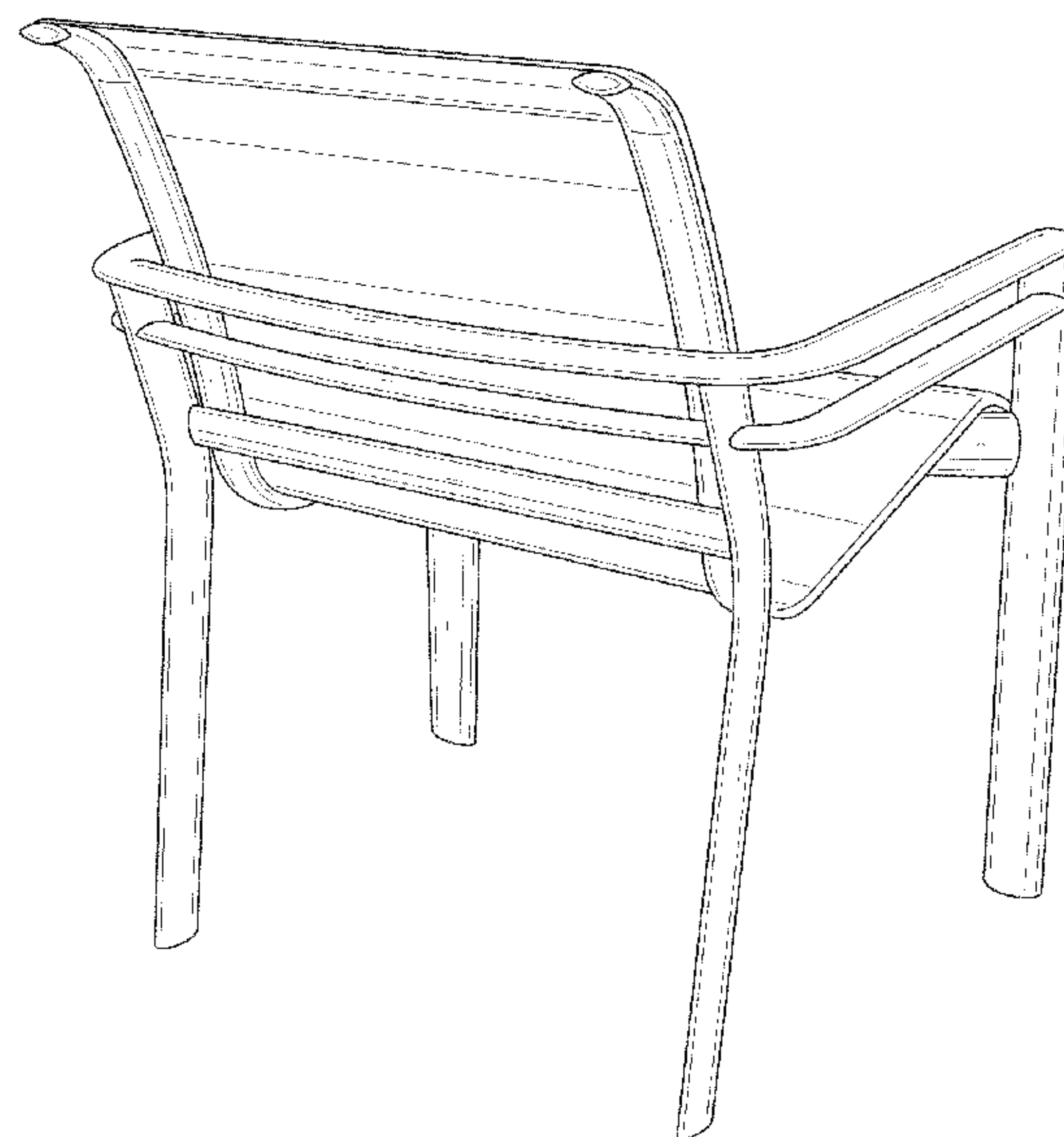
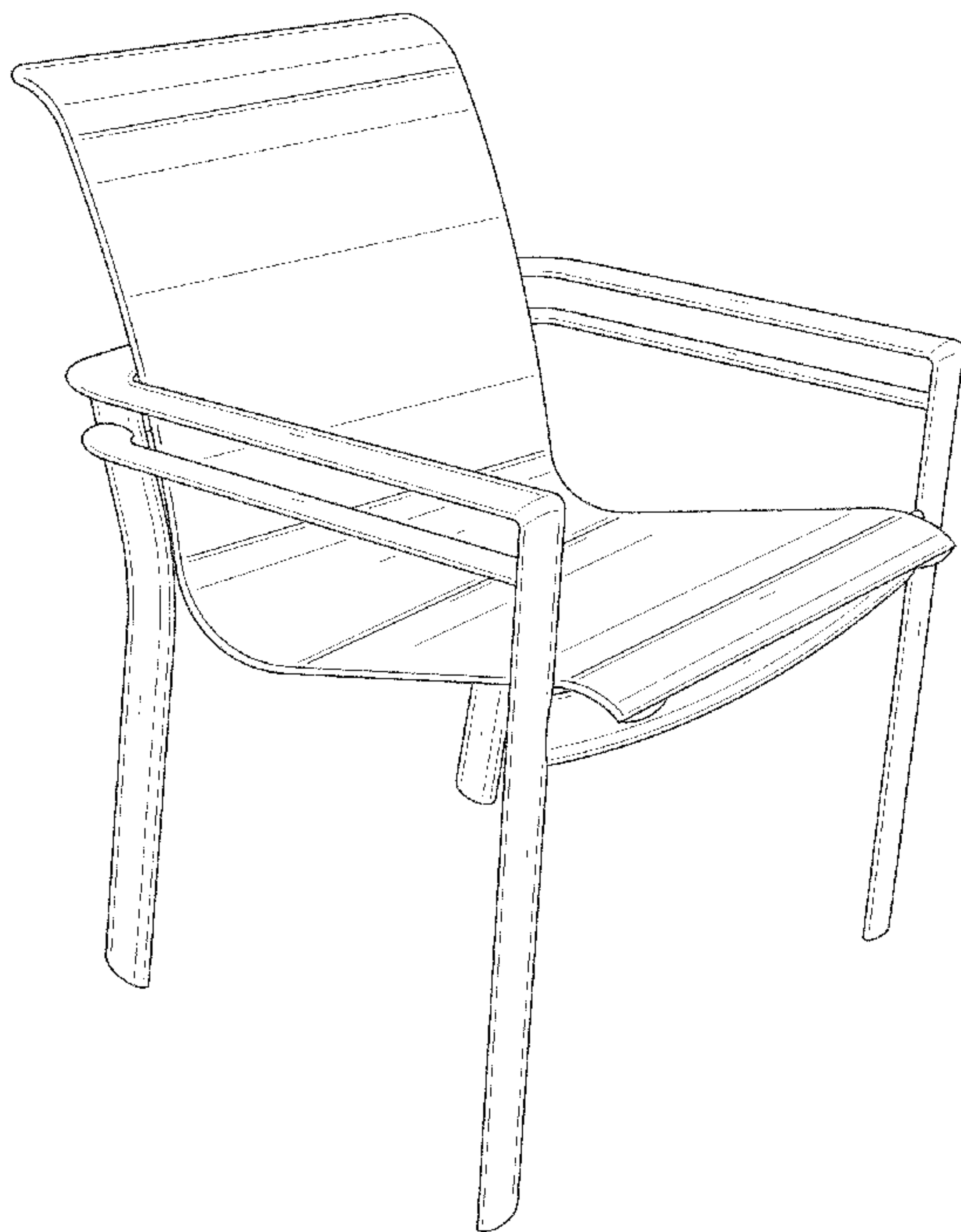
(57) **CLAIM**

The ornamental design for a chair, substantially as shown and described.

DESCRIPTION

FIG. 1 is a front perspective view of my new design;
FIG. 2 is a rear perspective view of the design of FIG. 1;
FIG. 3 is a front elevational view of the design of FIG. 1;
FIG. 4 is a rear elevational view of the design of FIG. 1;
FIG. 5 is a left side elevational view of the design of FIG. 1;
FIG. 6 is a right side elevational view of the design of FIG. 1;
FIG. 7 is a top view of the design of FIG. 1; and,
FIG. 8 is a bottom view of the design of FIG. 1.

1 Claim, 8 Drawing Sheets



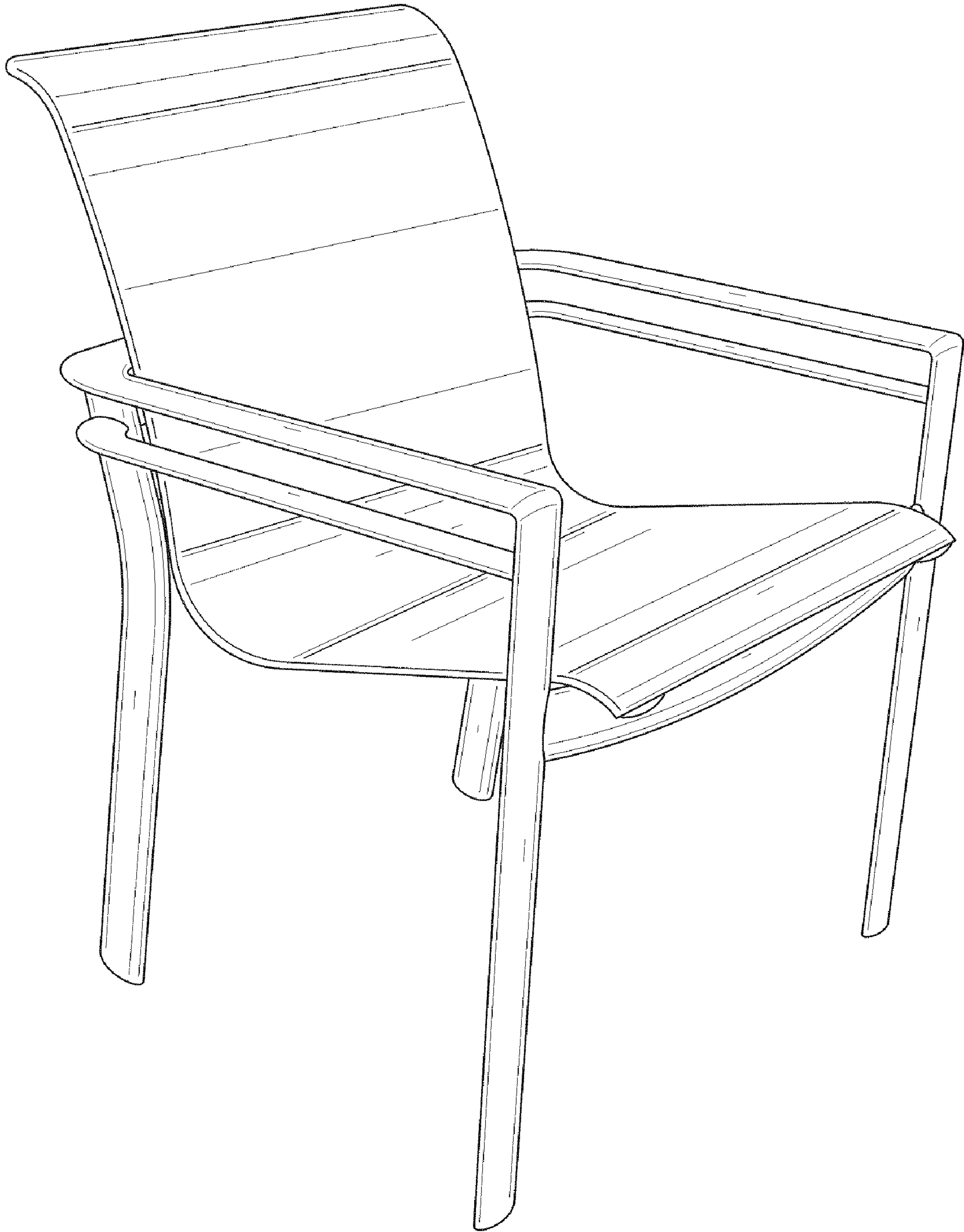


FIG. 1

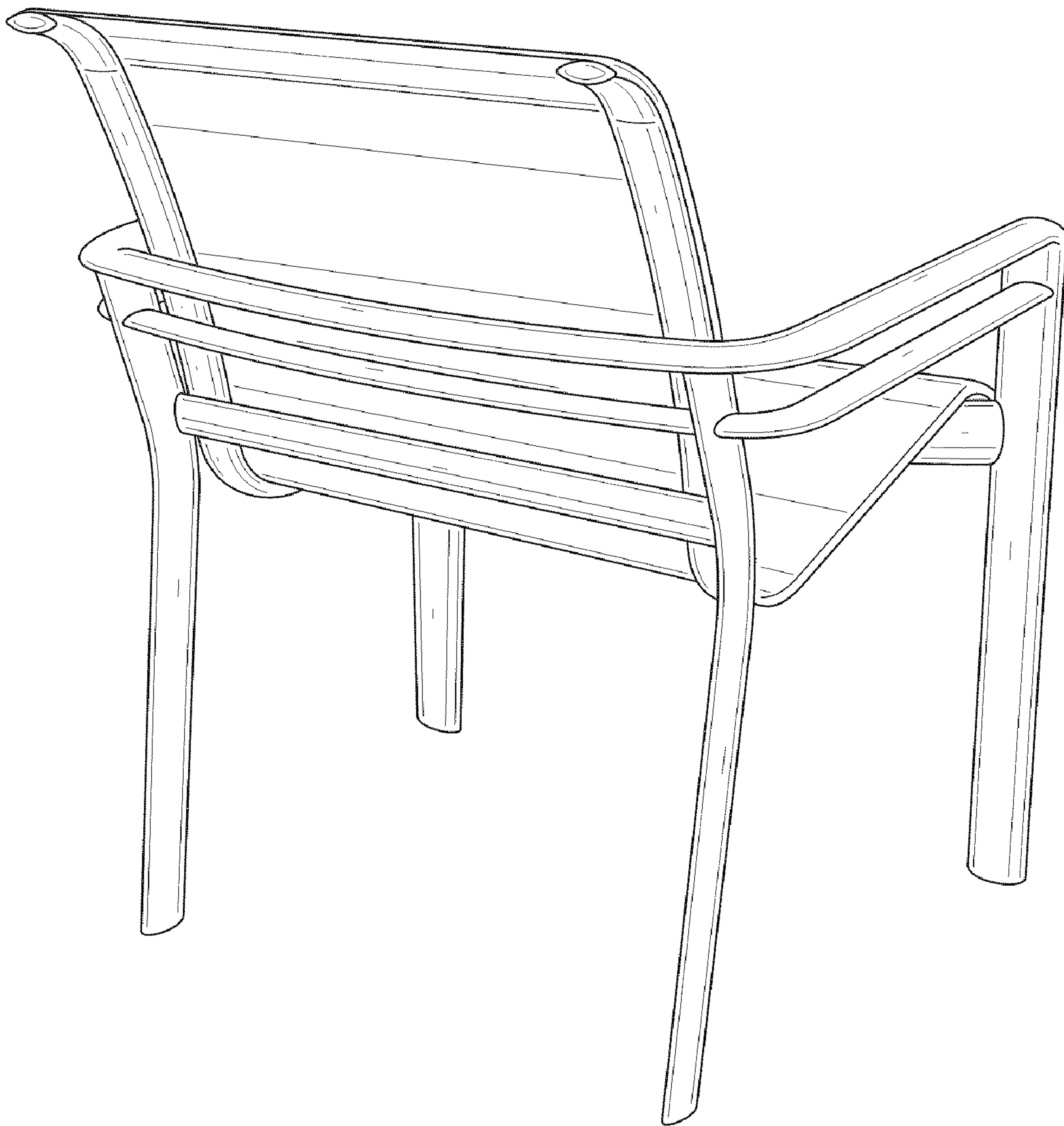


FIG. 2

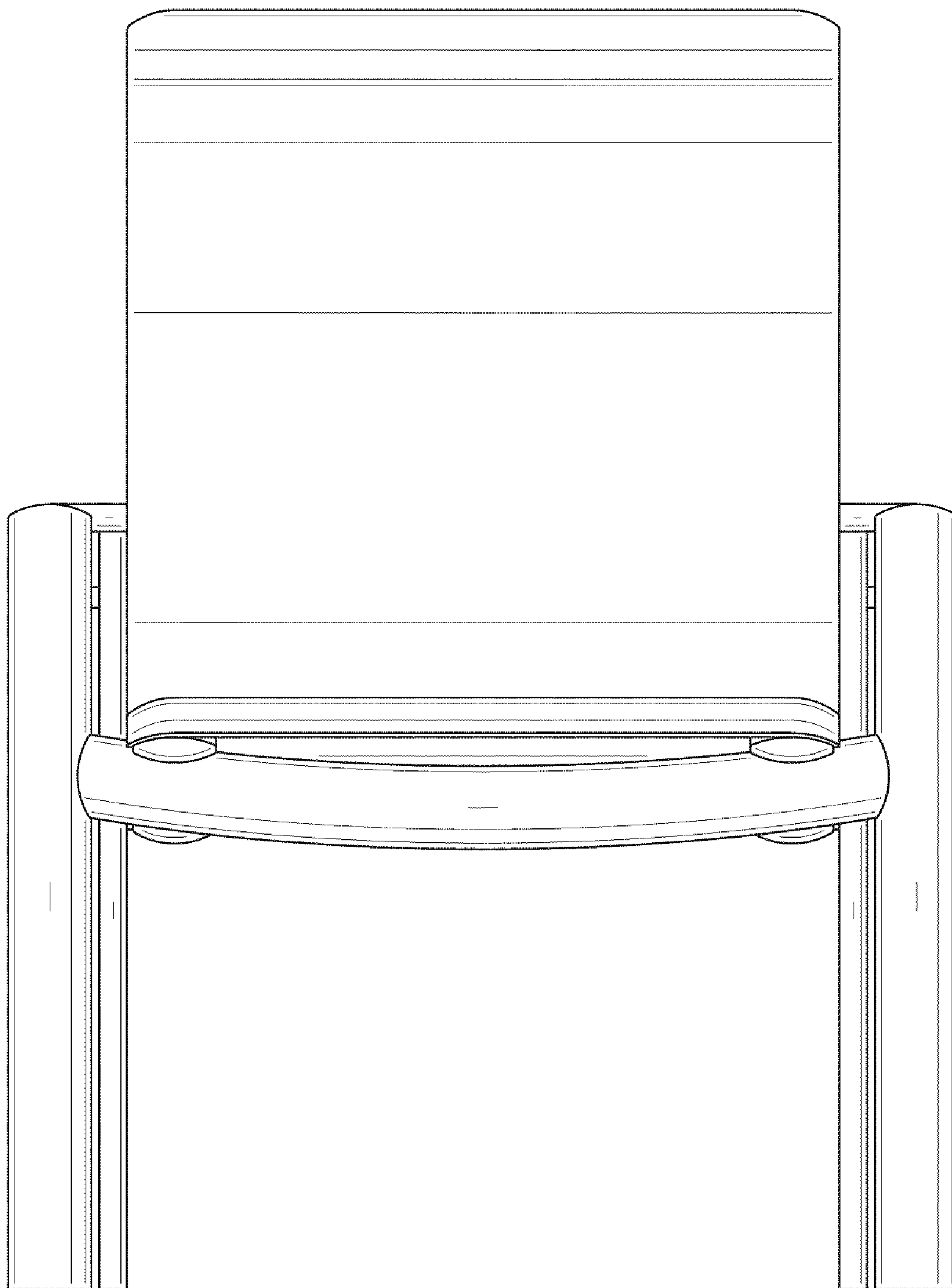


FIG. 3

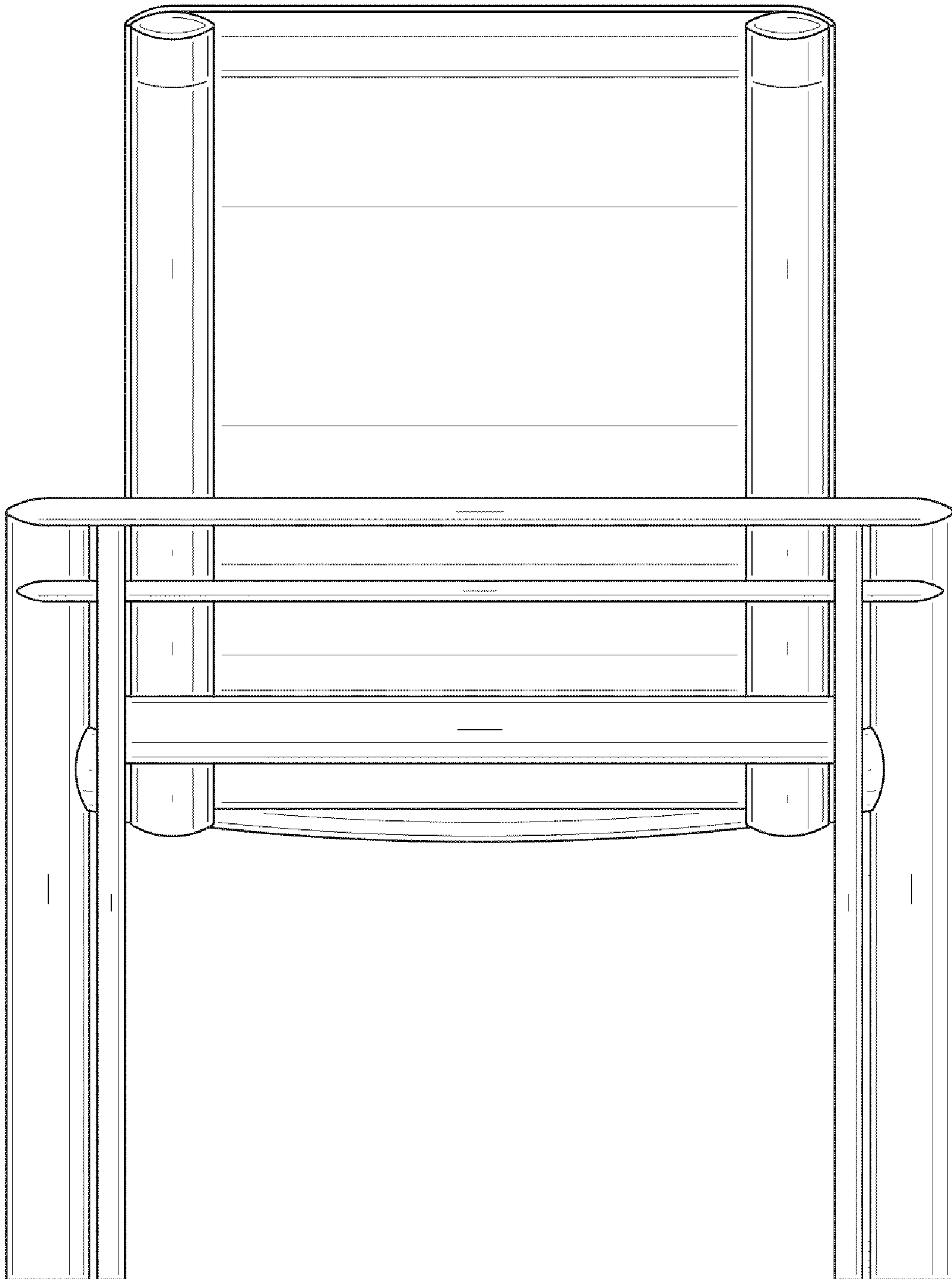


FIG. 4

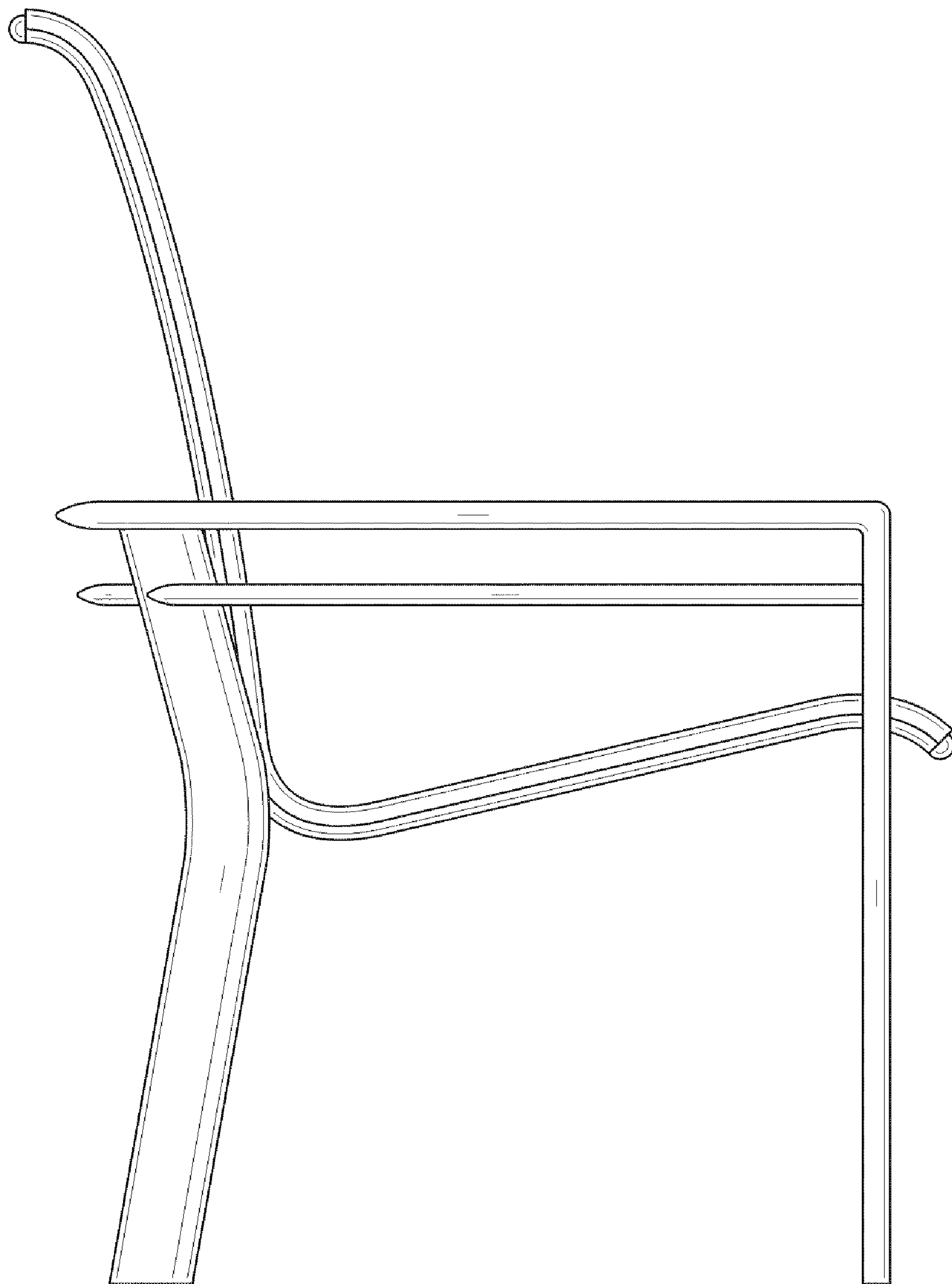


FIG. 5

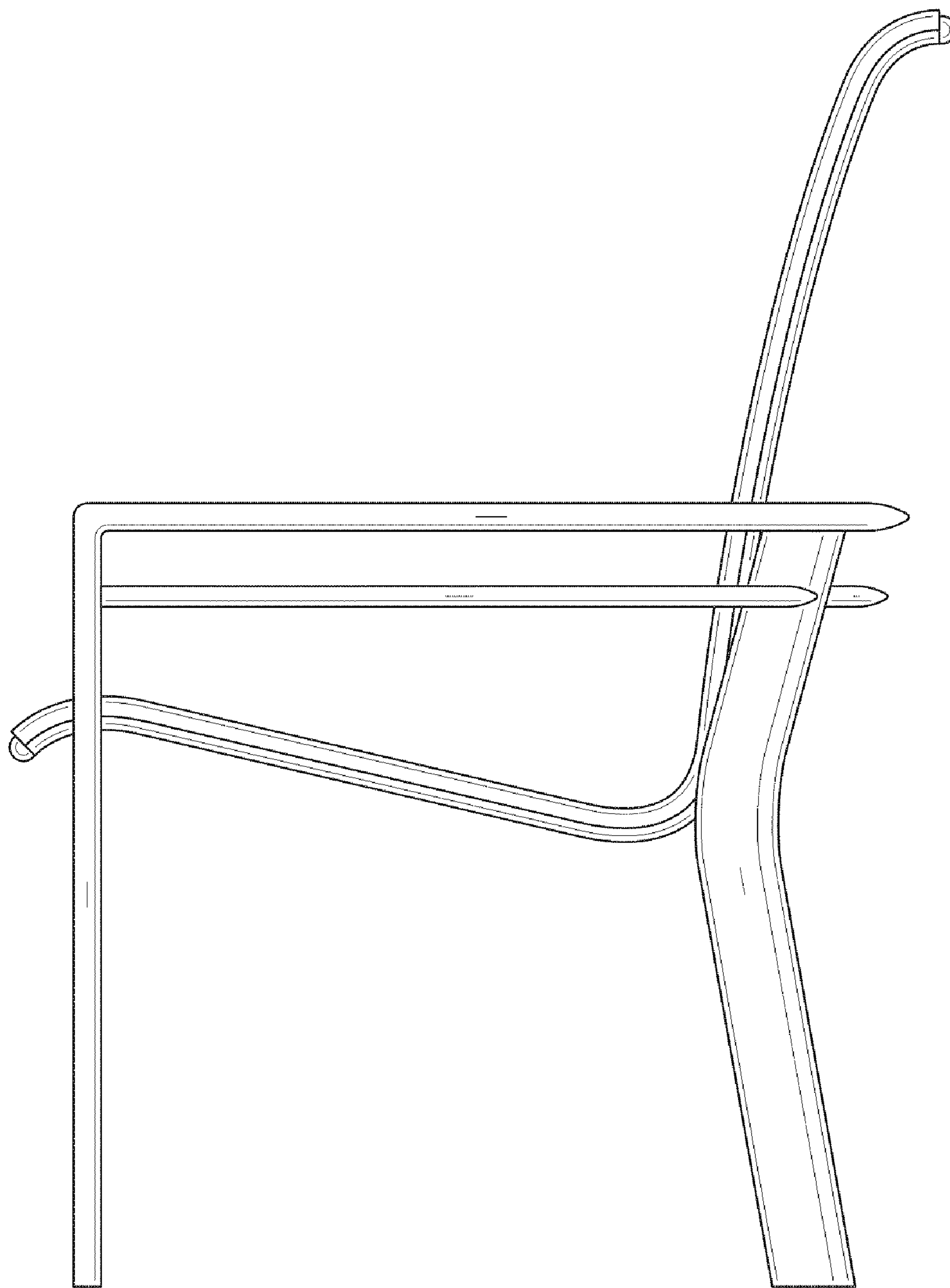


FIG. 6

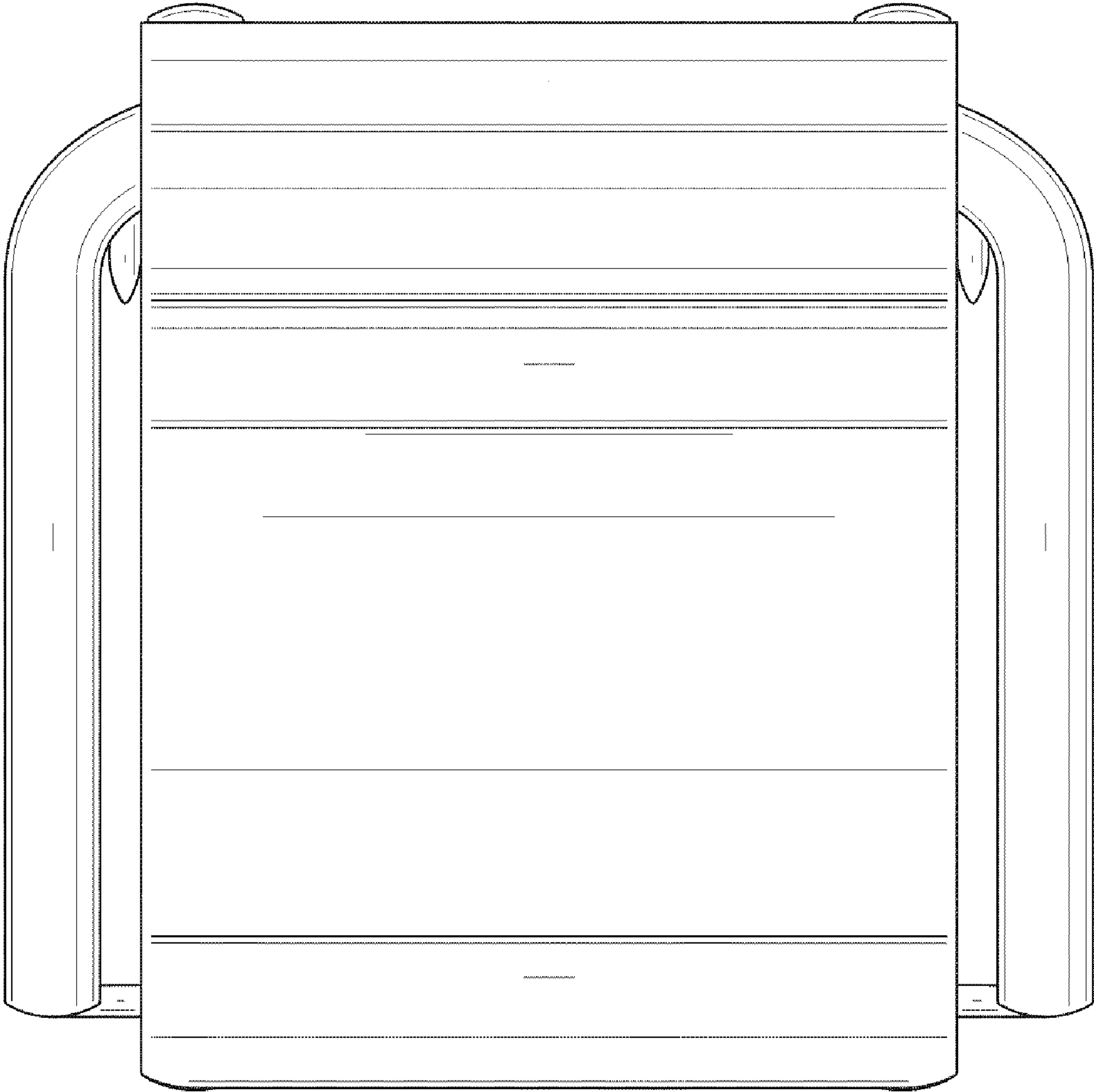


FIG. 7

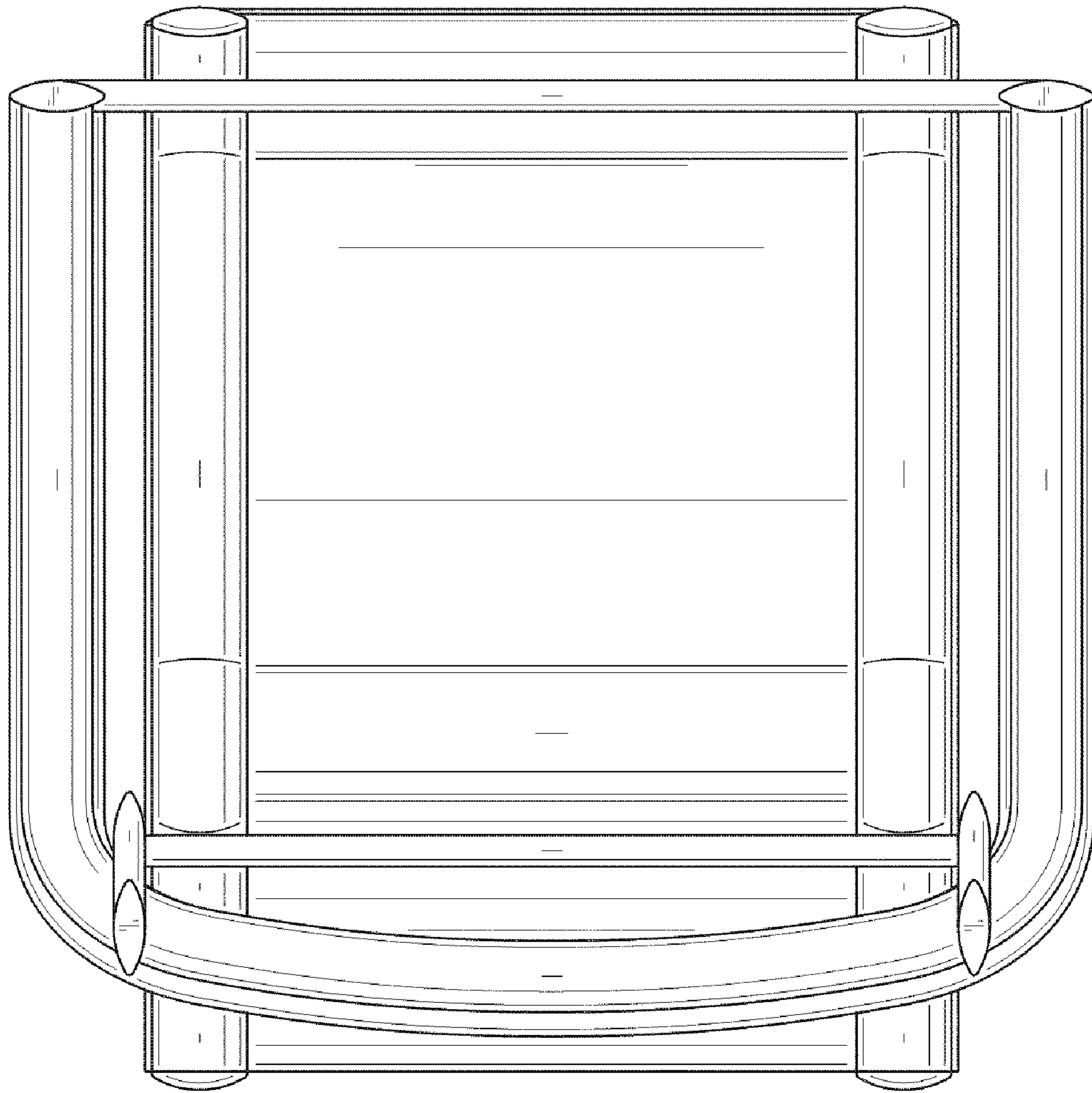


FIG. 8