



US00D642814S

(12) **United States Design Patent**
Pensi et al.

(10) **Patent No.:** **US D642,814 S**
(45) **Date of Patent:** **** Aug. 9, 2011**

(54) **WORKWALL ASSEMBLY**

(75) Inventors: **Jorge Pensi**, Barcelona (ES); **Brett Kincaid**, Lowell, MI (US); **Duck Young Kong**, Kentwood, MI (US); **Joylene Battey**, Kentwood, MI (US)

(73) Assignee: **Steelcase Inc.**, Grand Rapids, MI (US)

(**) Term: **14 Years**

(21) Appl. No.: **29/362,729**

(22) Filed: **May 28, 2010**

(51) **LOC (9) Cl.** **06-04**

(52) **U.S. Cl.** **D6/332; D25/138**

(58) **Field of Classification Search** D25/58, D25/123, 138, 163; 52/12, 23, 36.4, 36.5, 52/36.6, 238.1, 476, 489.1; 108/106, 108; 211/41.5, 87.01, 90.01, 94.01, 94.02, 134, 211/162; 312/132; D6/329, 332

See application file for complete search history.

4,620,489 A 11/1986 Albano
 4,716,841 A 1/1988 Suttles
 D293,981 S * 2/1988 Ball D6/332
 4,785,946 A 11/1988 Sorensen
 4,898,286 A 2/1990 Orlandi
 4,919,282 A 4/1990 Duff et al.
 4,961,506 A 10/1990 Lang
 D314,090 S 1/1991 Stephens et al.
 D318,585 S 7/1991 Duff et al.
 5,097,771 A 3/1992 James, III
 5,140,915 A 8/1992 Knape
 5,313,891 A 5/1994 Suttles
 5,439,123 A 8/1995 Nook
 5,472,103 A 12/1995 Merl
 5,477,789 A 12/1995 Von Gunten
 5,611,442 A 3/1997 Howard
 5,613,449 A 3/1997 Pullman
 5,695,264 A 12/1997 Koch
 5,711,115 A 1/1998 Wirt
 5,758,585 A * 6/1998 Latchinian 108/108
 5,794,794 A 8/1998 Hull

(Continued)

Primary Examiner — Brian N Vinson
(74) *Attorney, Agent, or Firm* — Price Heneveld LLP

(56) **References Cited**

U.S. PATENT DOCUMENTS

2,744,714 A 5/1956 Parke
 3,247,809 A 4/1966 Thomson
 3,295,474 A 1/1967 Ornstein
 3,471,978 A 10/1969 Fenwick
 3,574,980 A 4/1971 Keller
 3,601,256 A 8/1971 Bowers, Jr.
 3,613,604 A 10/1971 Butler
 3,640,389 A 2/1972 Snyder
 3,748,010 A 7/1973 Garte
 3,871,144 A 3/1975 Rudin
 3,908,320 A 9/1975 Hogue
 3,919,950 A 11/1975 Frazelle et al.
 3,965,826 A 6/1976 Markham
 D251,526 S 4/1979 Zapf
 4,186,666 A 2/1980 Honickman
 4,526,110 A 7/1985 Franz
 4,605,988 A 8/1986 Nienhuis et al.

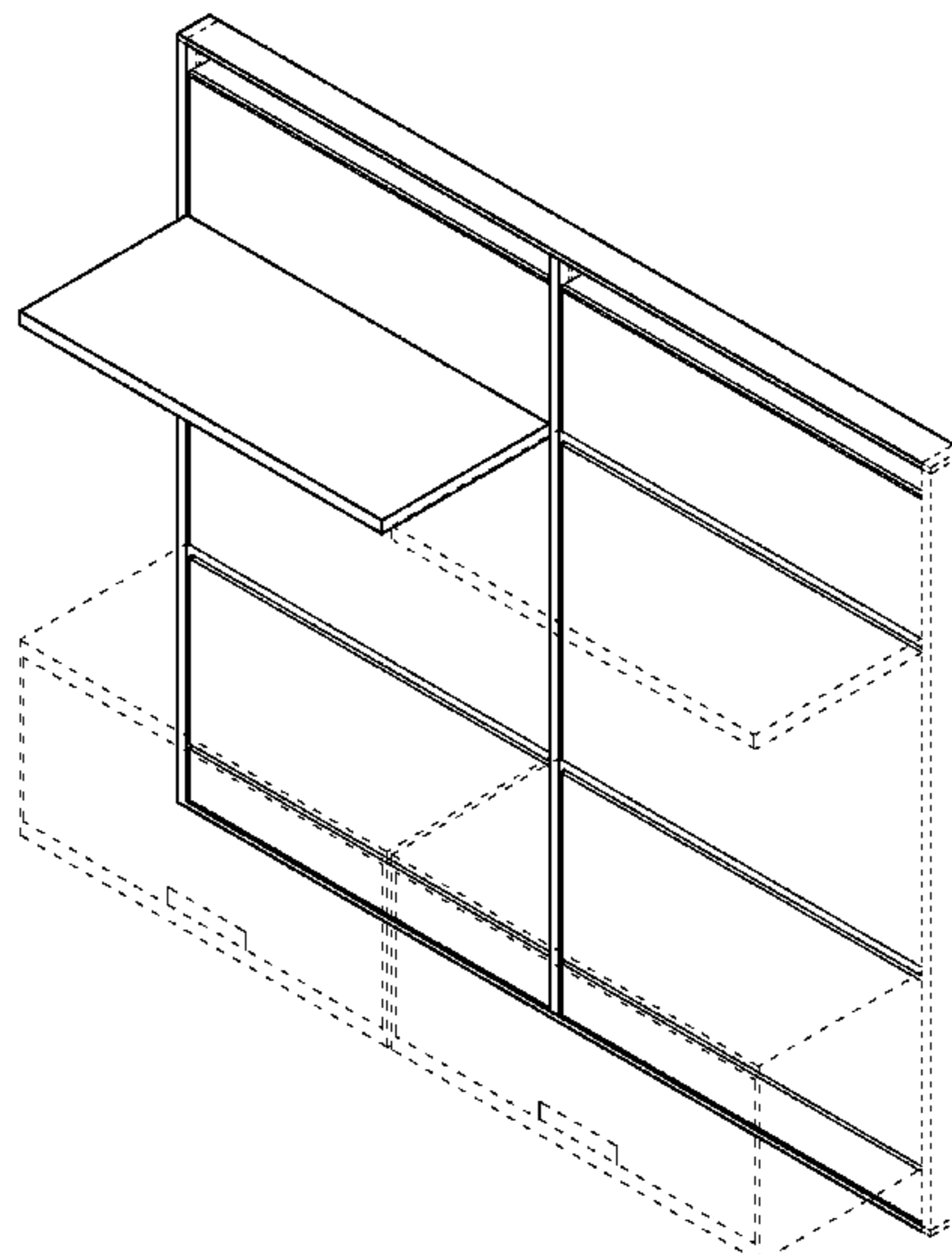
(57) **CLAIM**

We claim the ornamental design for a workwall assembly, as shown.

DESCRIPTION

FIG. 1 is a perspective view of a workwall assembly; FIG. 2 is a front elevational view of the workwall assembly; FIG. 3 is a rear elevational view of the workwall assembly; FIG. 4 is a side elevational view of the workwall assembly, the opposite side being a mirror image thereof; FIG. 5 is a top plan view of the workwall assembly; and, FIG. 6 is a bottom plan view of the workwall assembly. The dashed lines and broken lines are for purposes of illustrating environmental structure and form no part of the claimed design.

1 Claim, 5 Drawing Sheets



US D642,814 S

Page 2

U.S. PATENT DOCUMENTS

| | | | | | |
|--------------|------|---------|-------------------|-------|----------|
| 5,870,867 | A | 2/1999 | Mitchell | | |
| D407,501 | S * | 3/1999 | Shipman et al. | | D25/138 |
| 5,941,026 | A * | 8/1999 | Eisenreich et al. | | 52/36.5 |
| 6,044,986 | A | 4/2000 | Wood | | |
| 6,102,217 | A | 8/2000 | Mathy et al. | | |
| 6,112,913 | A | 9/2000 | Rindoks et al. | | |
| 6,115,978 | A | 9/2000 | Bastian et al. | | |
| 6,161,347 | A * | 12/2000 | Yu et al. | | 52/36.4 |
| 6,196,648 | B1 | 3/2001 | Henriott | | |
| D449,748 | S * | 10/2001 | Martin et al. | | D6/332 |
| 6,349,507 | B1 | 2/2002 | Muellerleile | | |
| 6,378,255 | B1 | 4/2002 | Eich et al. | | |
| 6,443,319 | B1 | 9/2002 | Sander | | |
| 6,487,978 | B1 * | 12/2002 | Hamberg | | 108/108 |
| 6,561,365 | B2 | 5/2003 | Bustos | | |
| 6,564,952 | B1 | 5/2003 | Suttles | | |
| 6,658,805 | B1 * | 12/2003 | Yu et al. | | 52/239 |
| 6,659,295 | B1 | 12/2003 | De Land et al. | | |
| D486,674 | S | 2/2004 | Schoeben | | |
| 6,726,034 | B2 | 4/2004 | Holbrook et al. | | |
| D492,862 | S | 7/2004 | Gay, II | | |
| 6,775,953 | B2 * | 8/2004 | Burken et al. | | 52/238.1 |
| 6,918,499 | B2 | 7/2005 | De Land et al. | | |
| D511,390 | S * | 11/2005 | Schuberth | | D25/138 |
| 7,055,287 | B2 | 6/2006 | Yu et al. | | |
| D533,284 | S * | 12/2006 | Bledsoe et al. | | D25/138 |
| D538,093 | S | 3/2007 | Lee | | |
| D546,587 | S | 7/2007 | Devolder | | |
| D547,585 | S | 7/2007 | Netto et al. | | |
| D559,014 | S | 1/2008 | Mangano | | |
| D560,402 | S | 1/2008 | Lev | | |
| D576,422 | S | 9/2008 | Grabowski et al. | | |
| D577,509 | S | 9/2008 | Grabowski et al. | | |
| 7,469,512 | B2 | 12/2008 | Faber et al. | | |
| 7,494,019 | B2 | 2/2009 | Kessell et al. | | |
| 7,506,772 | B2 | 3/2009 | Chen | | |
| D613,079 | S * | 4/2010 | Tsuchiya | | D6/332 |
| 2003/0168951 | A1 | 9/2003 | Holbrook et al. | | |
| 2003/0205545 | A1 | 11/2003 | Moceri | | |
| 2004/0055514 | A1 | 3/2004 | De Land et al. | | |
| 2004/0211741 | A1 | 10/2004 | Bustos et al. | | |
| 2005/0199568 | A1 | 9/2005 | Gay, II et al. | | |
| 2005/0279033 | A1 | 12/2005 | Faber et al. | | |

* cited by examiner

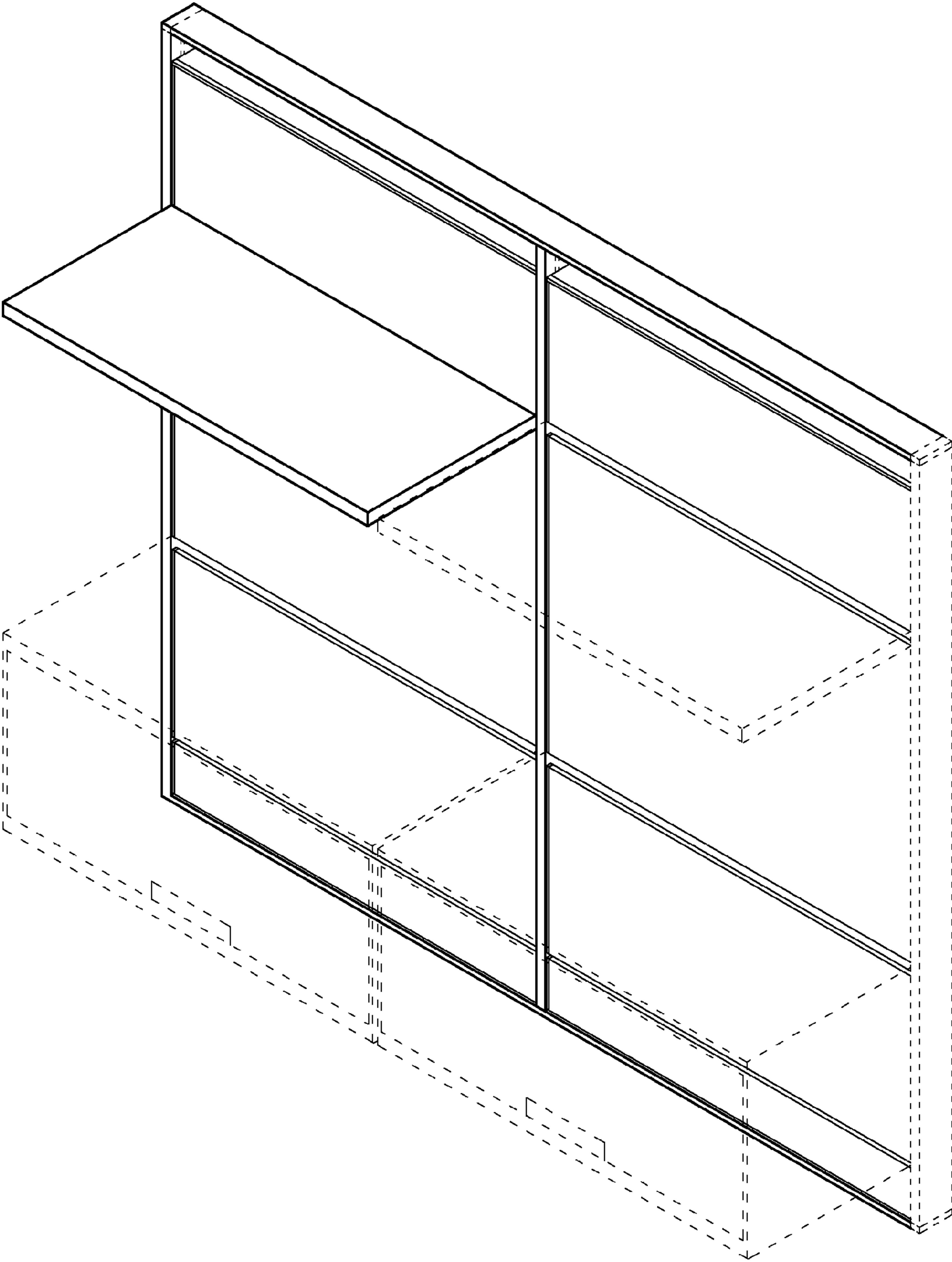


FIG. 1

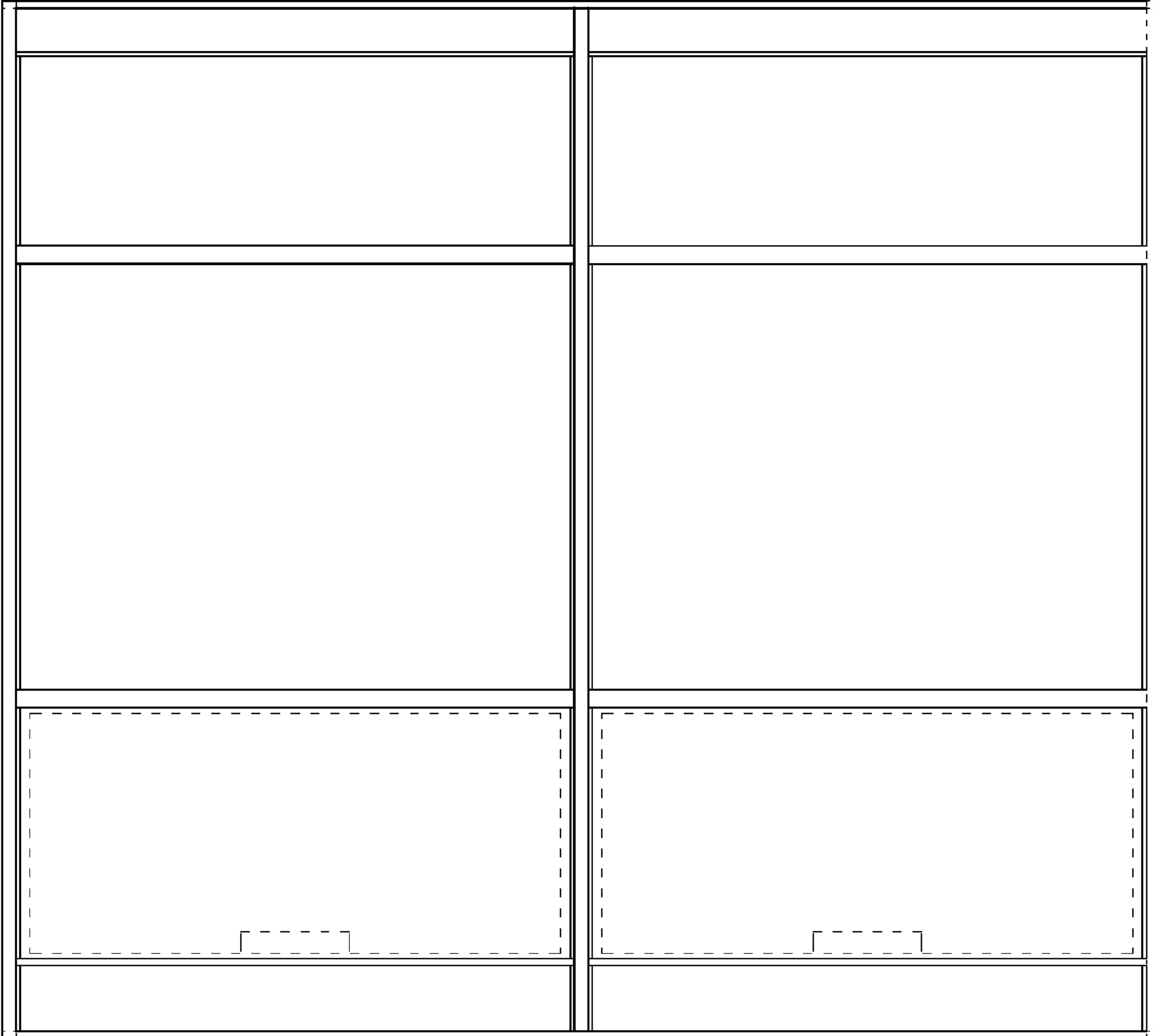


FIG. 2

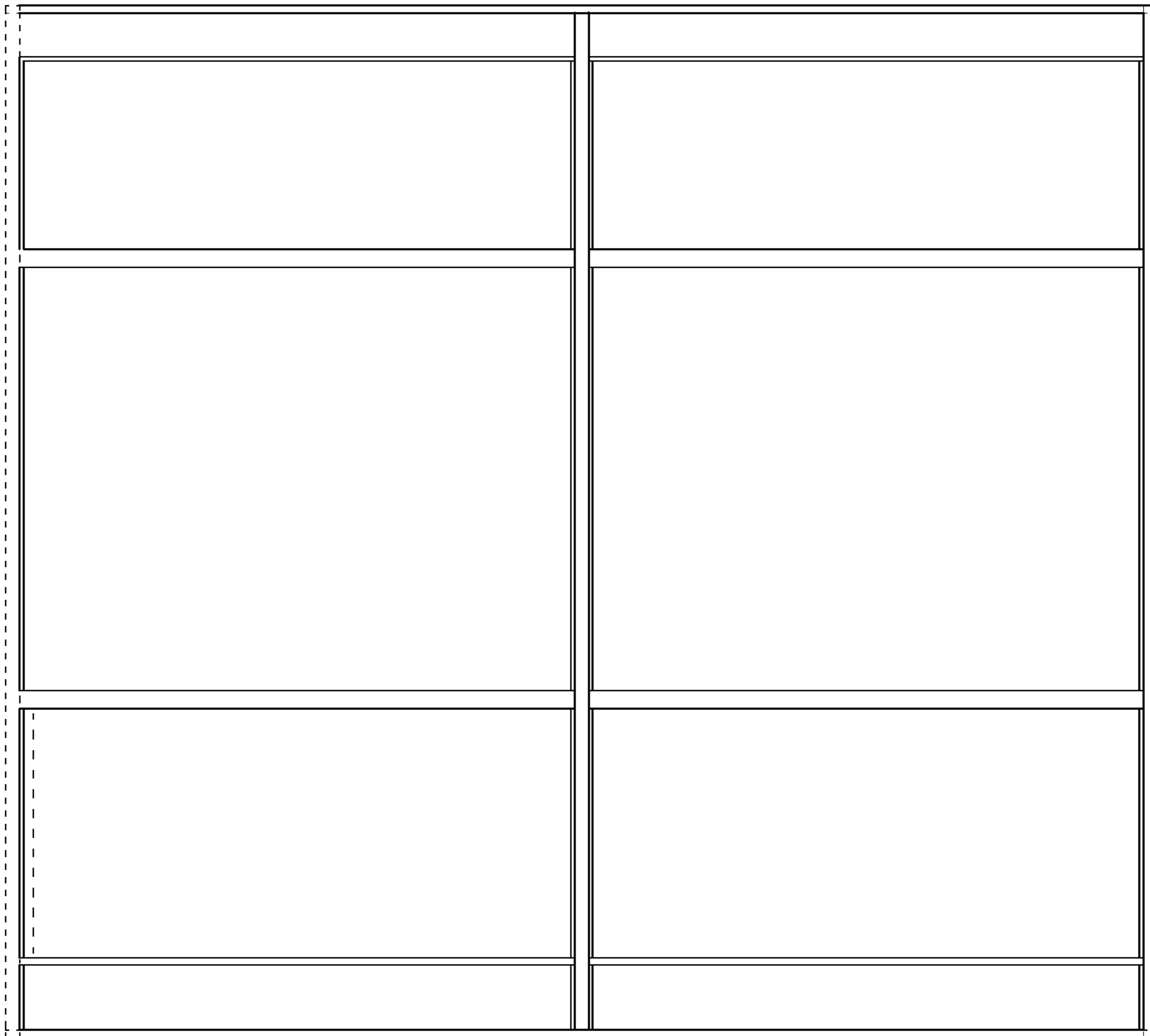


FIG. 3

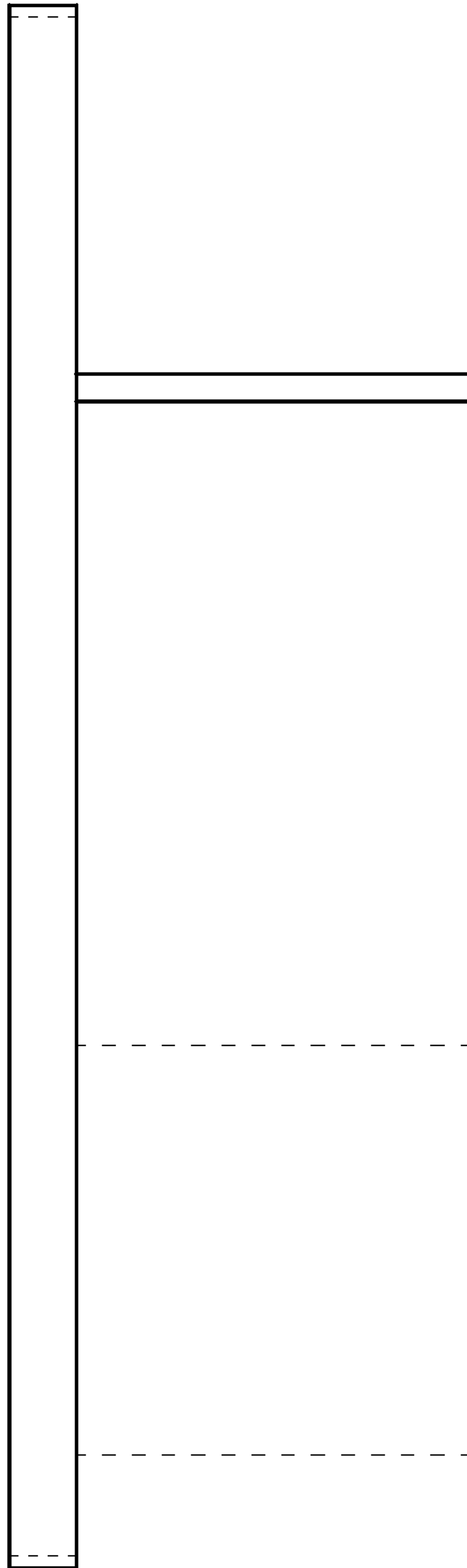


FIG. 4

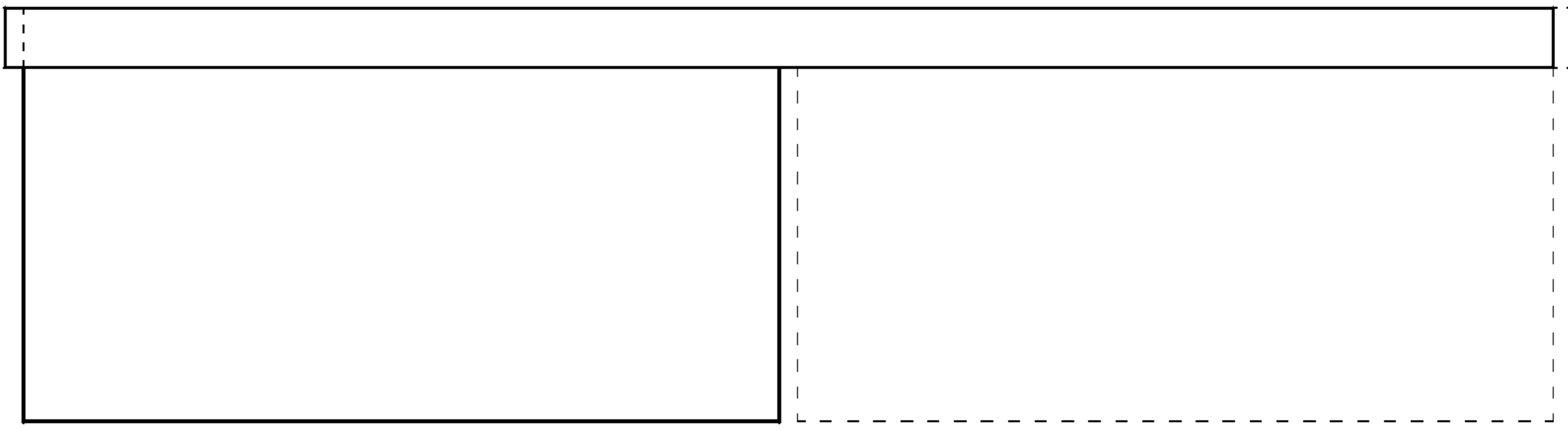


FIG. 5

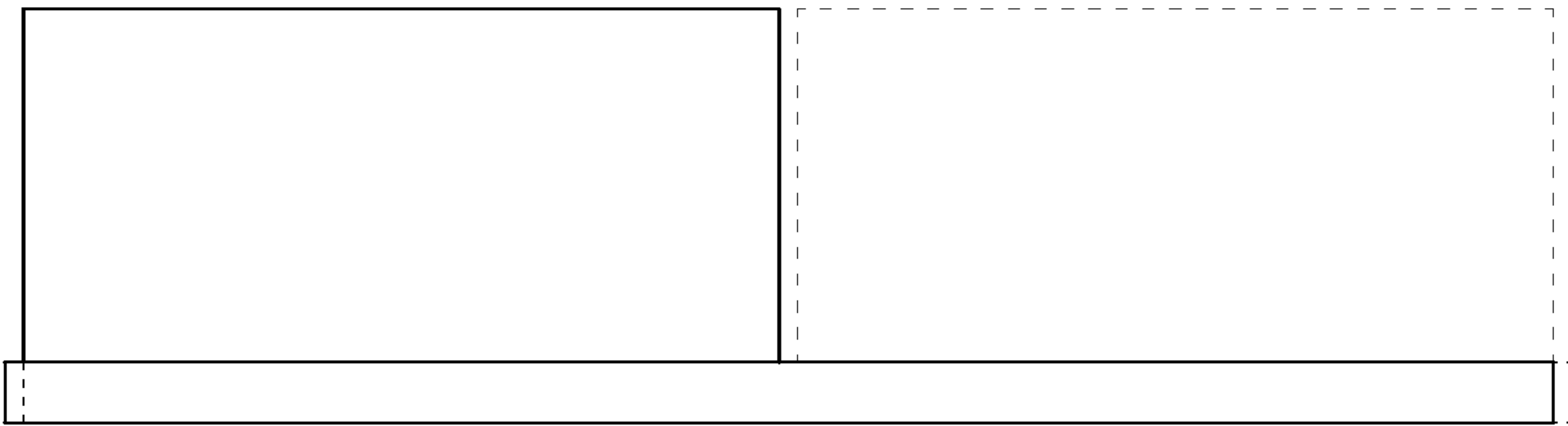


FIG. 6