



US00D642810S

(12) **United States Design Patent**  
**Mann et al.**

(10) **Patent No.:** **US D642,810 S**

(45) **Date of Patent:** **\*\* Aug. 9, 2011**

(54) **MIRRORED DISPLAY FRAME**

(76) Inventors: **Ken Mann**, Santa Maria, CA (US);  
**Ramin Fouladpour**, Las Vegas, NV  
(US)

(\*\*) Term: **14 Years**

(21) Appl. No.: **29/363,180**

(22) Filed: **Jun. 5, 2010**

(51) **LOC (9) Cl.** ..... **06-07**

(52) **U.S. Cl.** ..... **D6/300**

(58) **Field of Classification Search** ..... D6/300-314,  
D6/444; 40/700, 733, 711, 714-716, 721,  
40/722; D19/88; 108/101; 359/855, 856;  
D20/10

See application file for complete search history.

(56) **References Cited**

**U.S. PATENT DOCUMENTS**

370,623	A *	9/1887	Hoker	.....	359/856
505,127	A *	9/1893	Ranger	.....	359/855
D77,224	S *	12/1928	Dahlgren	.....	D6/310
2,036,184	A *	4/1936	Armstrong	.....	108/101
4,271,618	A *	6/1981	Lyman	.....	40/733
5,430,578	A *	7/1995	Reagan	.....	359/855

D364,042	S *	11/1995	Chavez et al.	.....	D6/314
5,625,501	A *	4/1997	Taggart	.....	359/855
D499,254	S *	12/2004	Adam	.....	D6/300
D548,467	S *	8/2007	Silker	.....	D6/310
D611,544	S *	3/2010	Liptan	.....	D19/88

\* cited by examiner

*Primary Examiner* — Philip S Hyder

*Assistant Examiner* — Sydney R Buffalow

(74) *Attorney, Agent, or Firm* — Laura Tunnell

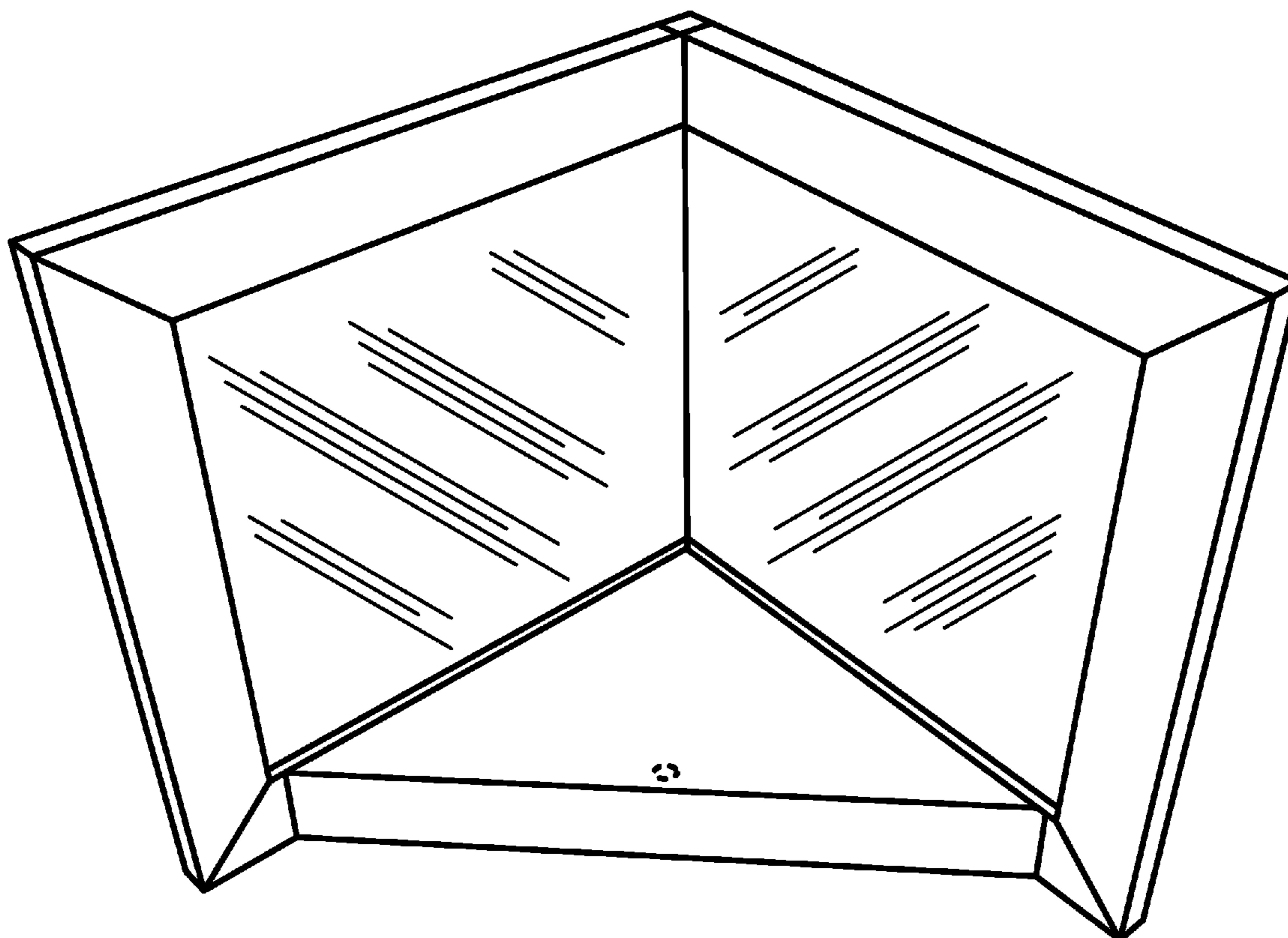
(57) **CLAIM**

The ornamental design for a mirrored display frame, as shown and described.

**DESCRIPTION**

FIG. 1 is a top front perspective view of a mirrored display frame showing my new design;  
FIG. 2 is a top back perspective view thereof;  
FIG. 3 is another top front perspective view thereof;  
FIG. 4 is a bottom perspective view thereof;  
FIG. 5 is a perspective left side view thereof; and,  
FIG. 6 is a right side elevation view.  
Dotted lines in the figures indicate portions of the design that are shown, but not claimed.

**1 Claim, 6 Drawing Sheets**



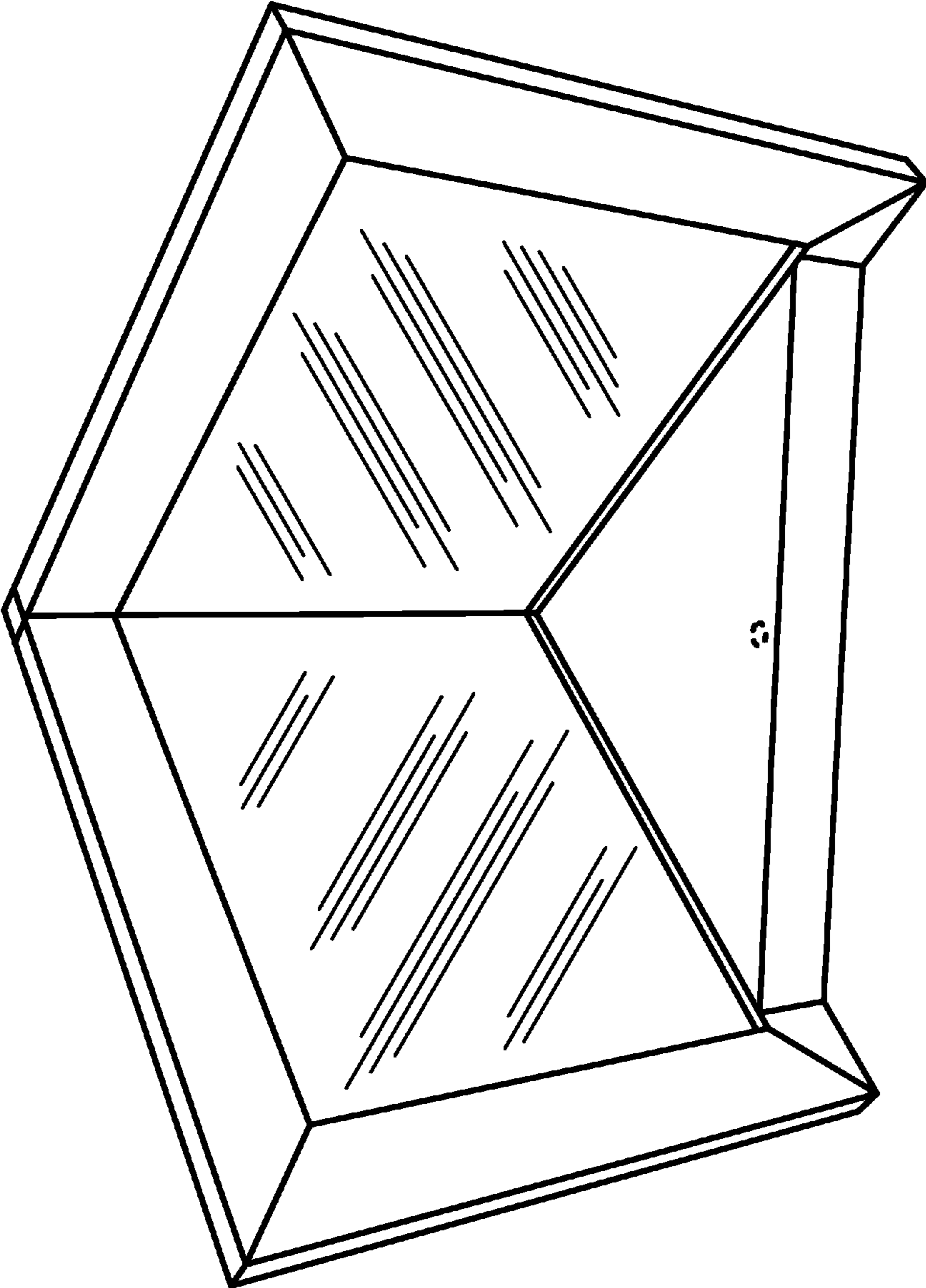


FIG. 1

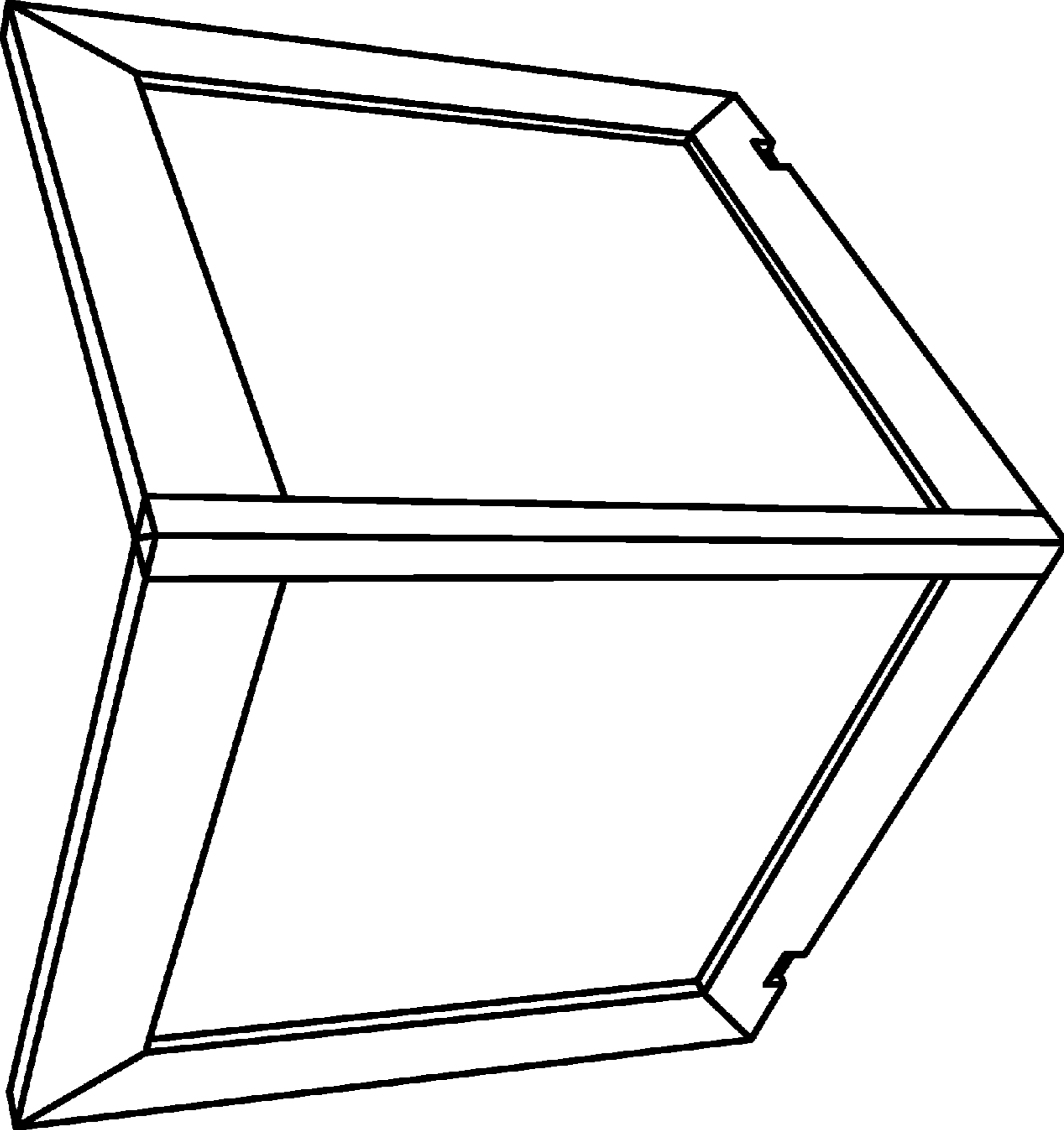


FIG. 2

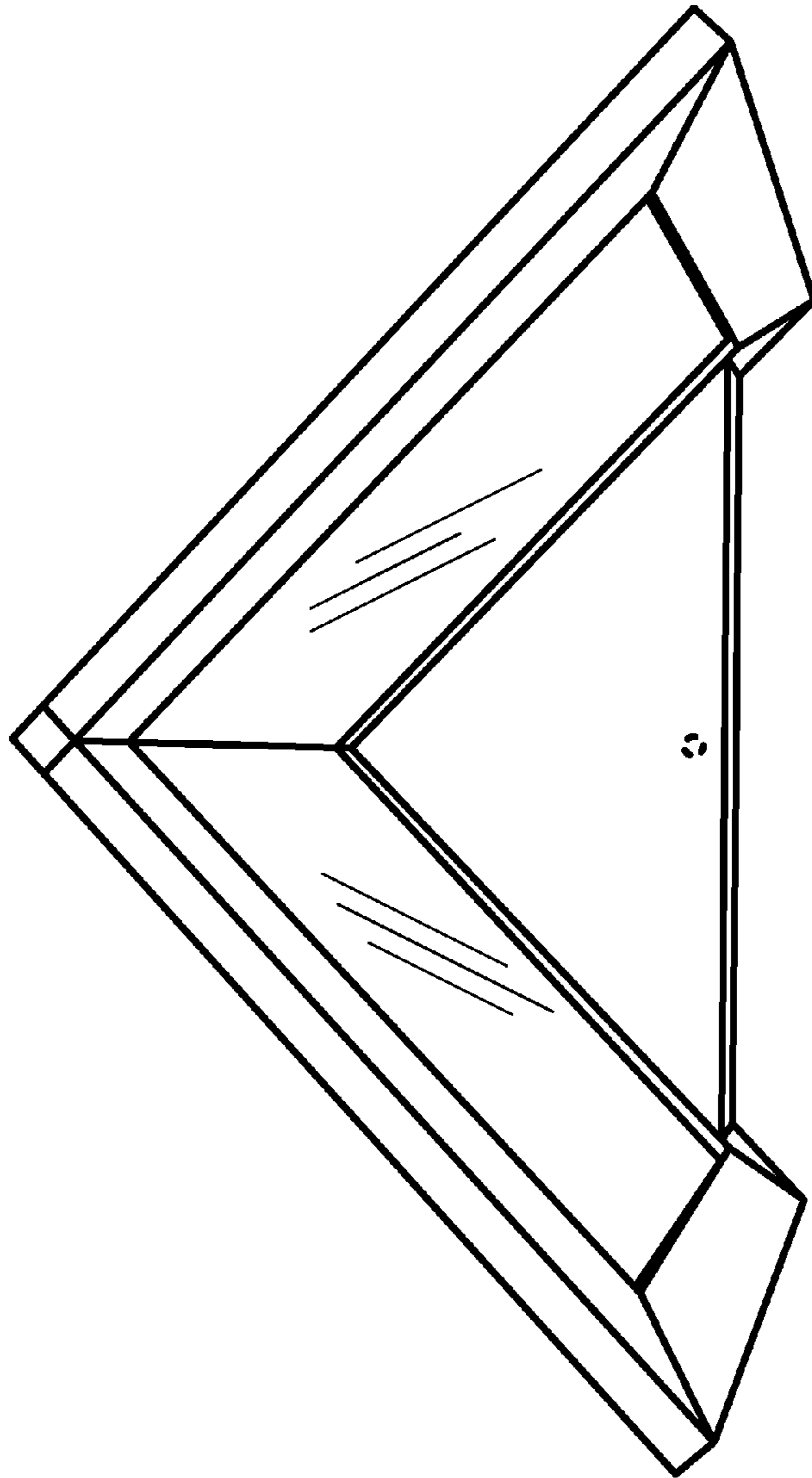


FIG. 3

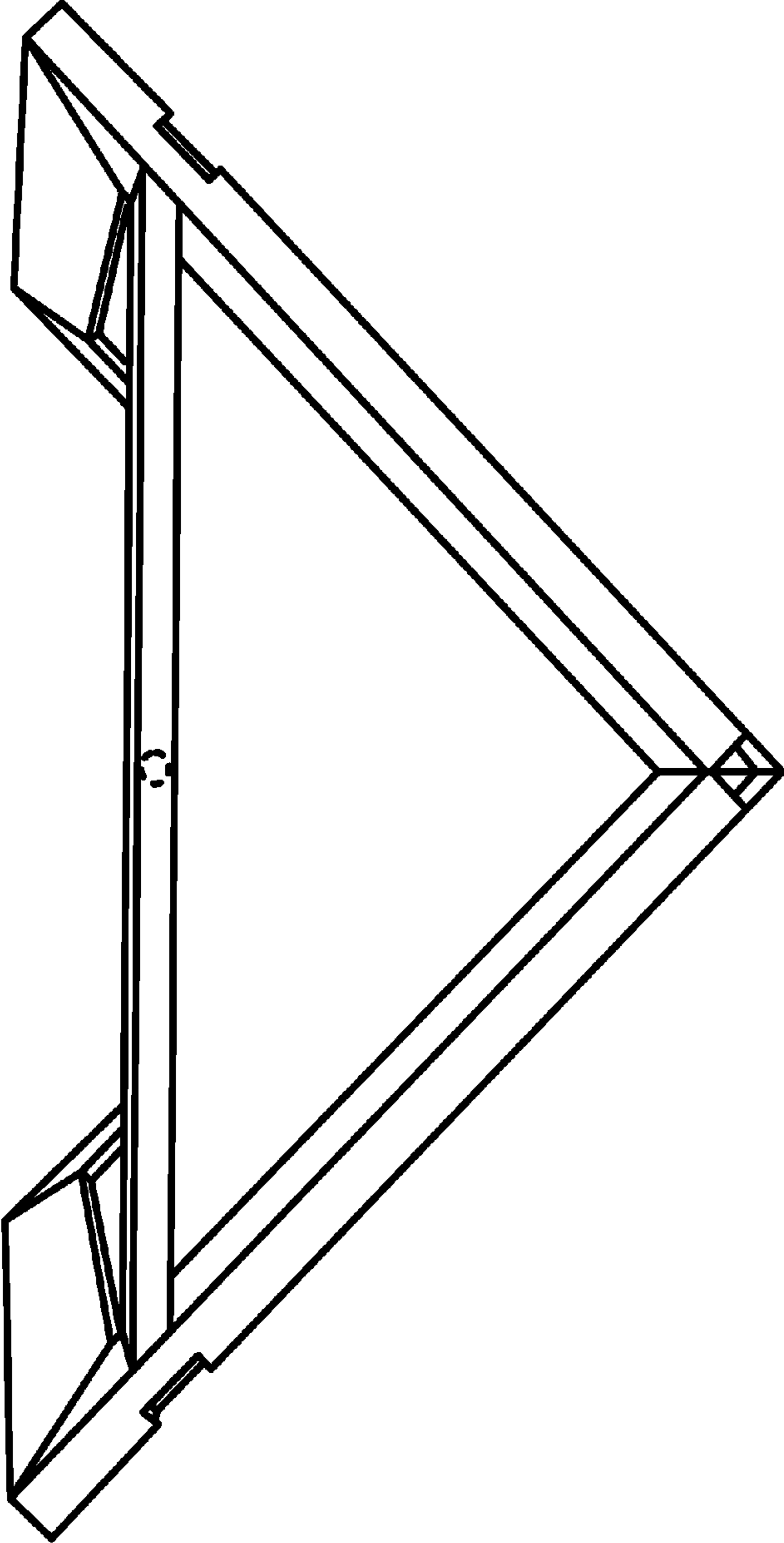


FIG. 4

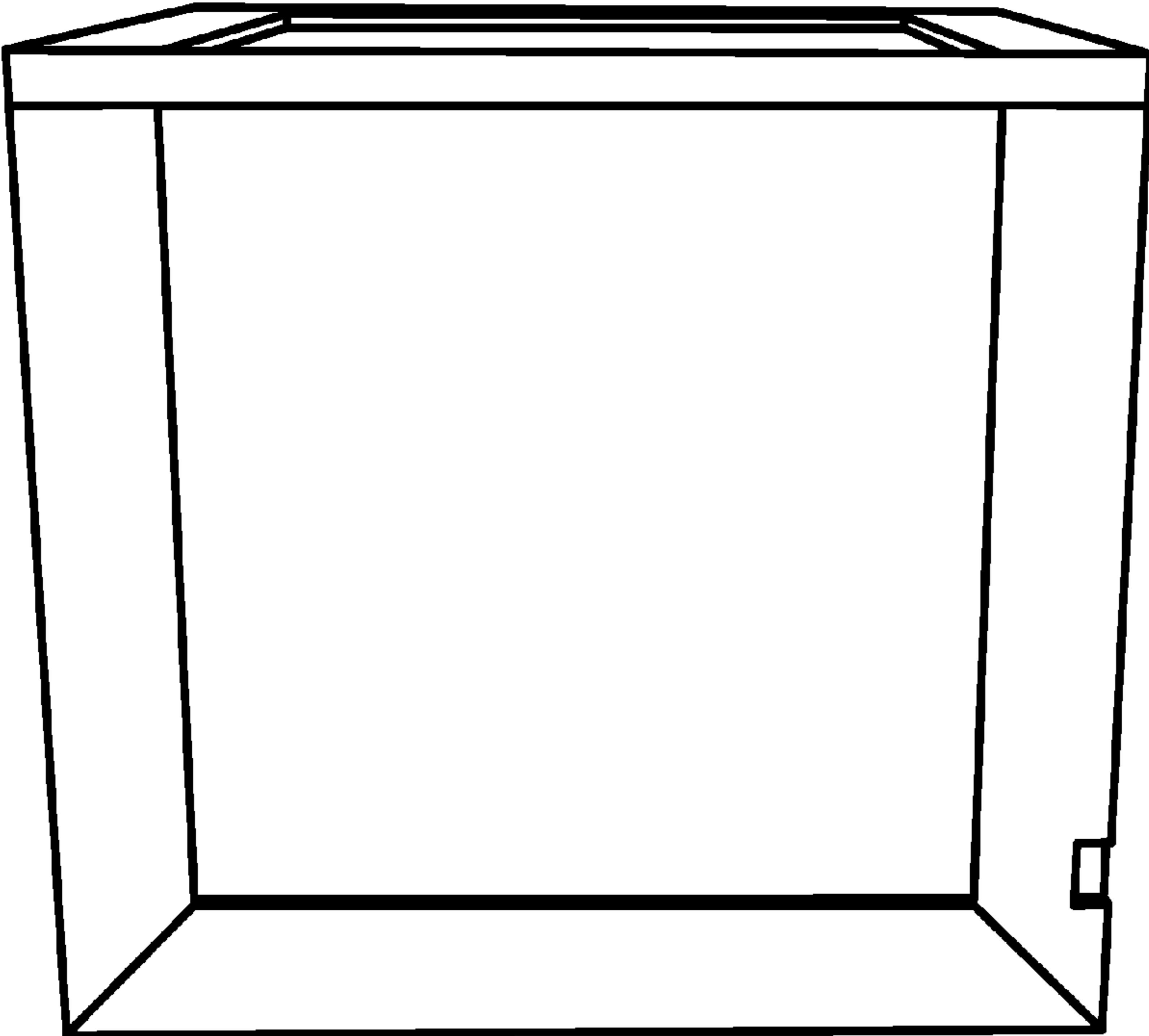


FIG. 5

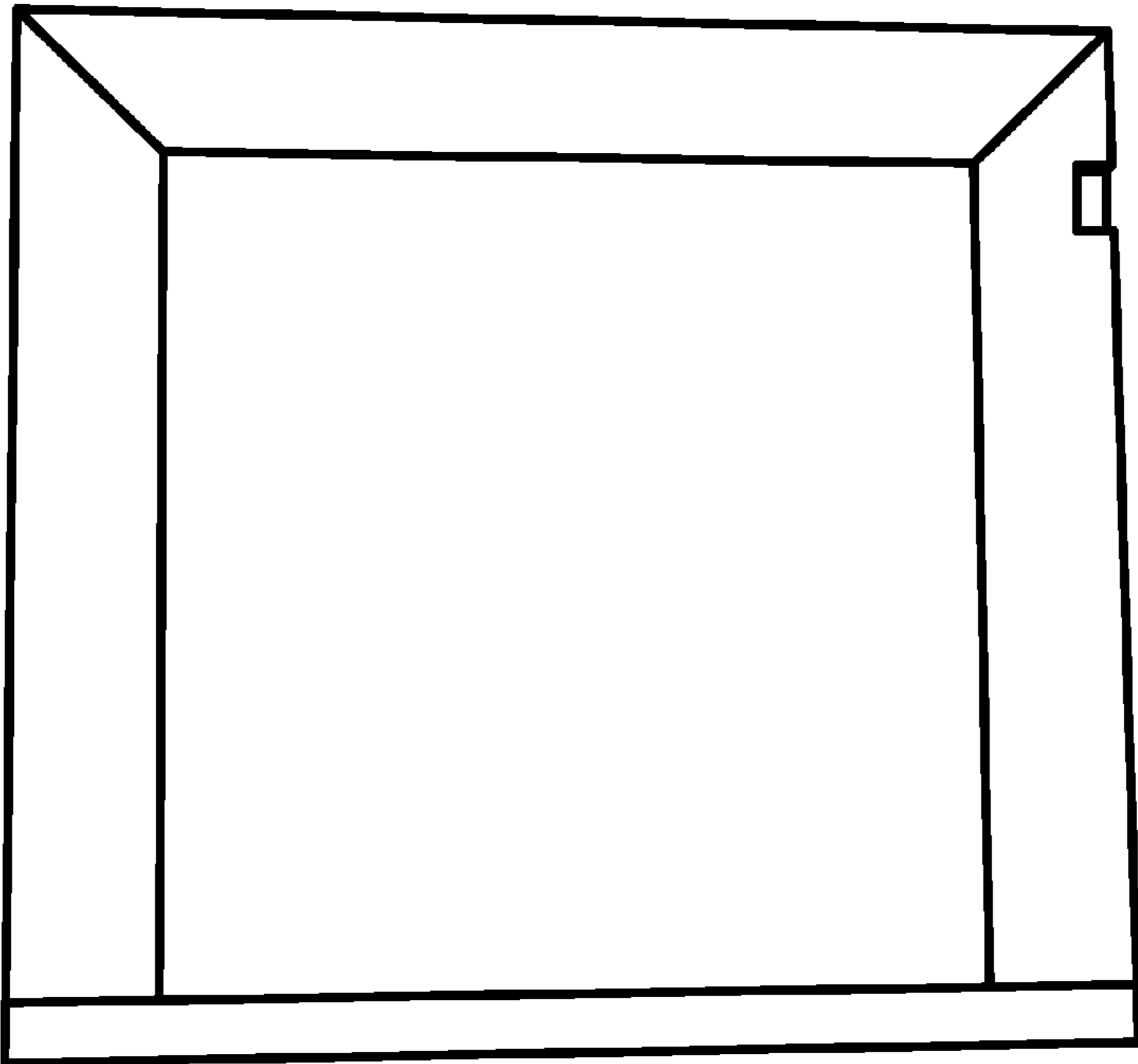


FIG. 6