



US00D642800S

(12) **United States Design Patent**
Davies et al.

(10) **Patent No.:** **US D642,800 S**

(45) **Date of Patent:** **** *Aug. 9, 2011**

(54) **HOOK FOR CARRYING ARTICLES**

(75) Inventors: **Matthew William Davies**, St Asaph (GB); **Carl Estcourt Tucker**, Conwy (GB); **John Slemmen**, Merseyside (GB); **Noel Toogood**, Liverpool (GB); **Troy Baker**, St Asaph (GB)

(73) Assignee: **Yoke Enterprises Ltd**, St. Asaph (GB)

(*) Notice: This patent is subject to a terminal disclaimer.

(**) Term: **14 Years**

(21) Appl. No.: **29/363,215**

(22) Filed: **Jun. 7, 2010**

Related U.S. Application Data

(63) Continuation-in-part of application No. 29/359,771, filed on Apr. 15, 2010.

(51) **LOC (9) Cl.** **03-01**

(52) **U.S. Cl.** **D3/328**

(58) **Field of Classification Search** D3/328,
D3/318; D8/367, 373; 248/214–215, 301–304;
294/153, 165, 171

See application file for complete search history.

(56) **References Cited**

U.S. PATENT DOCUMENTS

D292,595 S * 11/1987 Tanaka D12/417

D497,255 S * 10/2004 Scola D3/328

D602,767 S * 10/2009 Chiu D8/367

* cited by examiner

Primary Examiner — Holly Baynham

(74) *Attorney, Agent, or Firm* — Defillo & Associates, Inc.; Evelyn A Defillo

(57) **CLAIM**

The ornamental design for a hook for carrying articles, as shown and described.

DESCRIPTION

FIG. 1 is a view from the back and below of the hook for carrying articles according to the present invention.

FIG. 2 is a lower front left side view of hook for carrying articles of FIG. 1.

FIG. 3 is a lower front right side view of the hook for carrying articles of FIG. 1.

FIG. 4 is a perspective upper right side view of the hook for carrying articles of FIG. 1.

FIG. 5 is a perspective upper left side view top view of the hook for carrying articles of FIG. 1.

FIG. 6 is a top view of the hook for carrying articles of FIG. 1.

FIG. 7 is a bottom view of the hook for carrying articles of FIG. 1.

FIG. 8 is a perspective right side view of the hook for carrying articles of FIG. 1.

FIG. 9 is a front view of the hook for carrying articles of FIG. 1.

FIG. 10 is a right side view of the hook for carrying articles of FIG. 1.

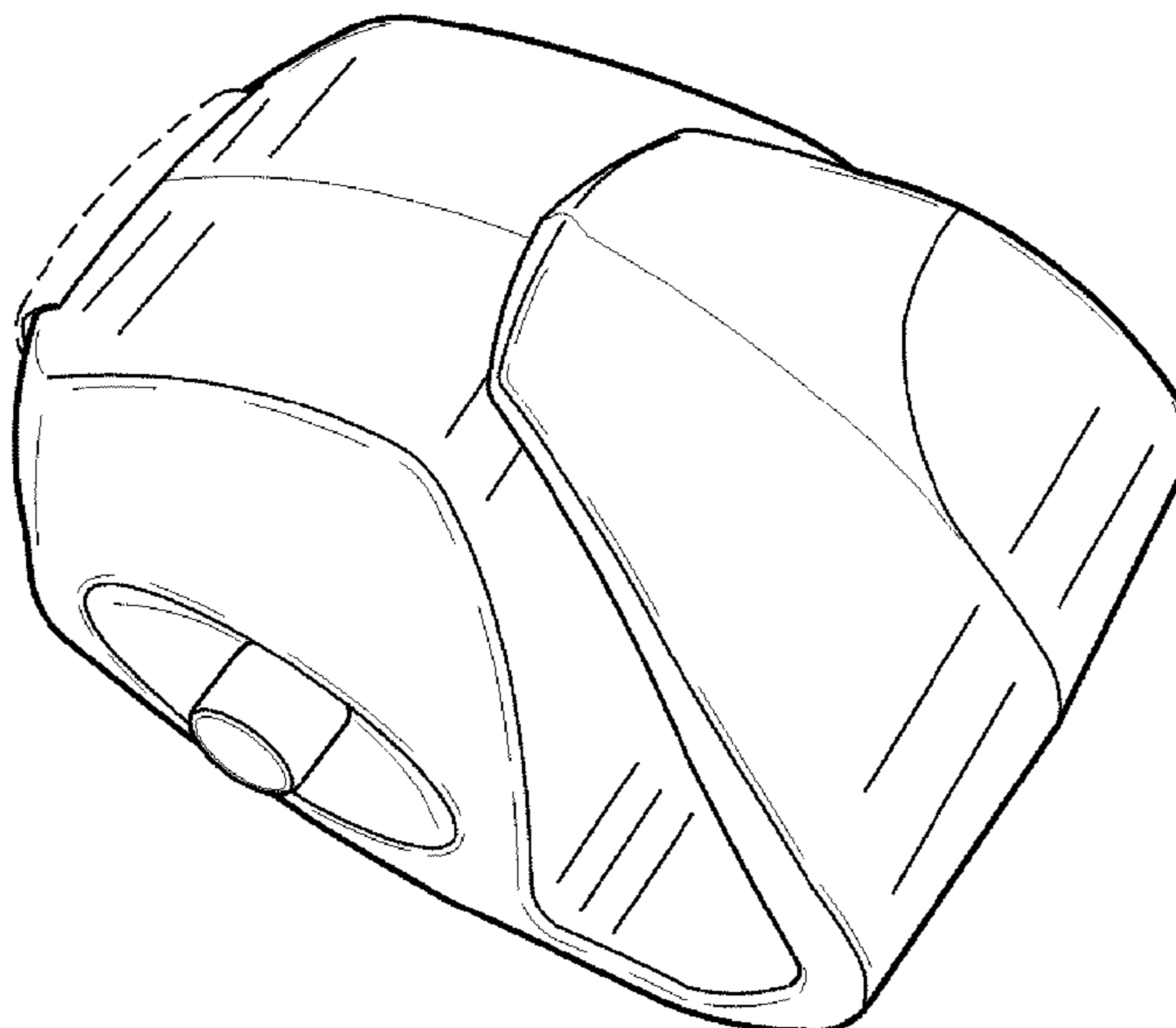
FIG. 11 is a right front view of the hook for carrying articles of FIG. 1 in an operative condition.

FIG. 12 is an alternative right front view of the hook for carrying articles of FIG. 1 in an operative condition; and,

FIG. 13 is a left side view of the hook for carrying articles of FIG. 1.

The broken line showing of elements of the hook for carrying articles is included for the purpose of illustrating environment and forms no part of the claimed design.

1 Claim, 5 Drawing Sheets



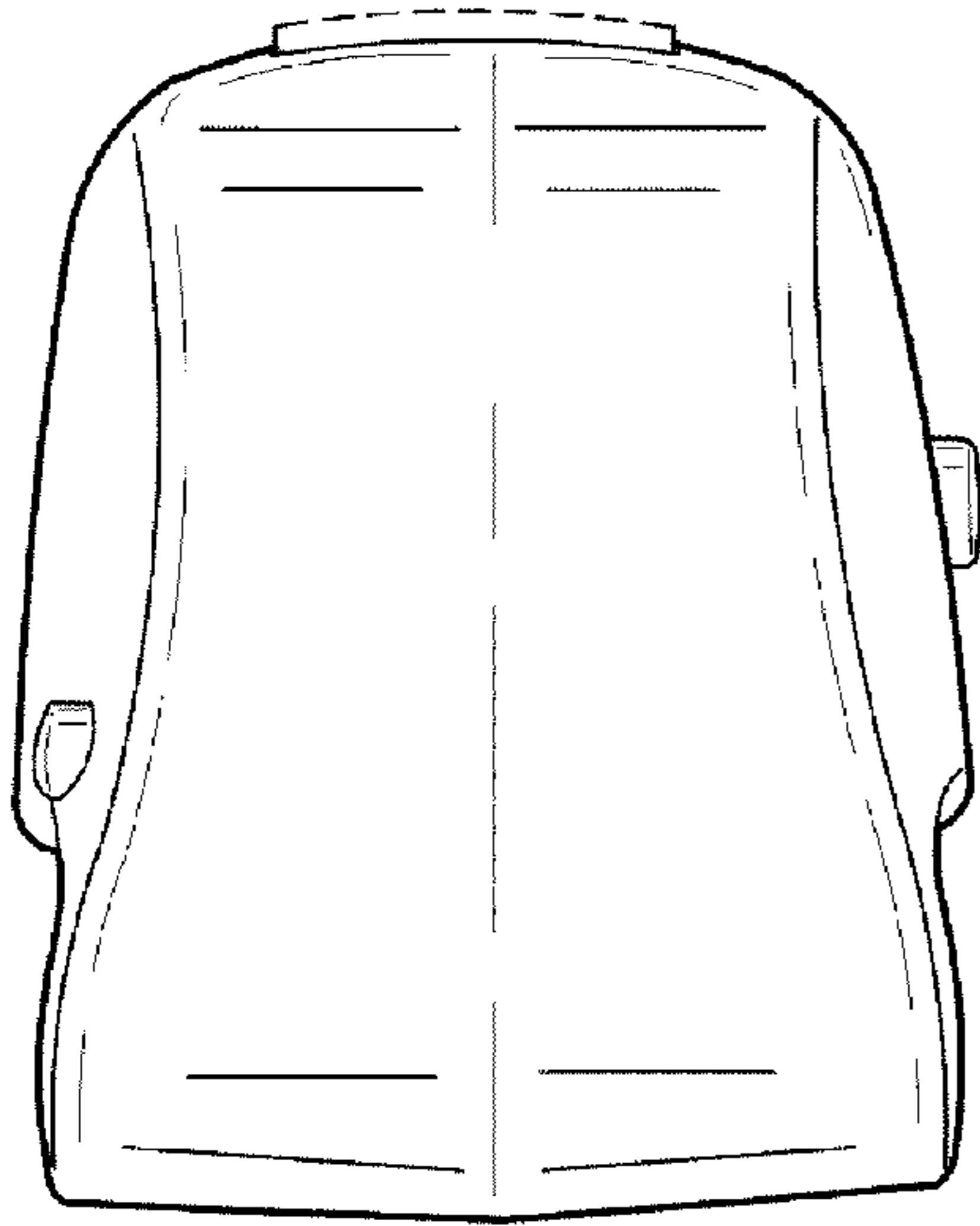


FIG. 1

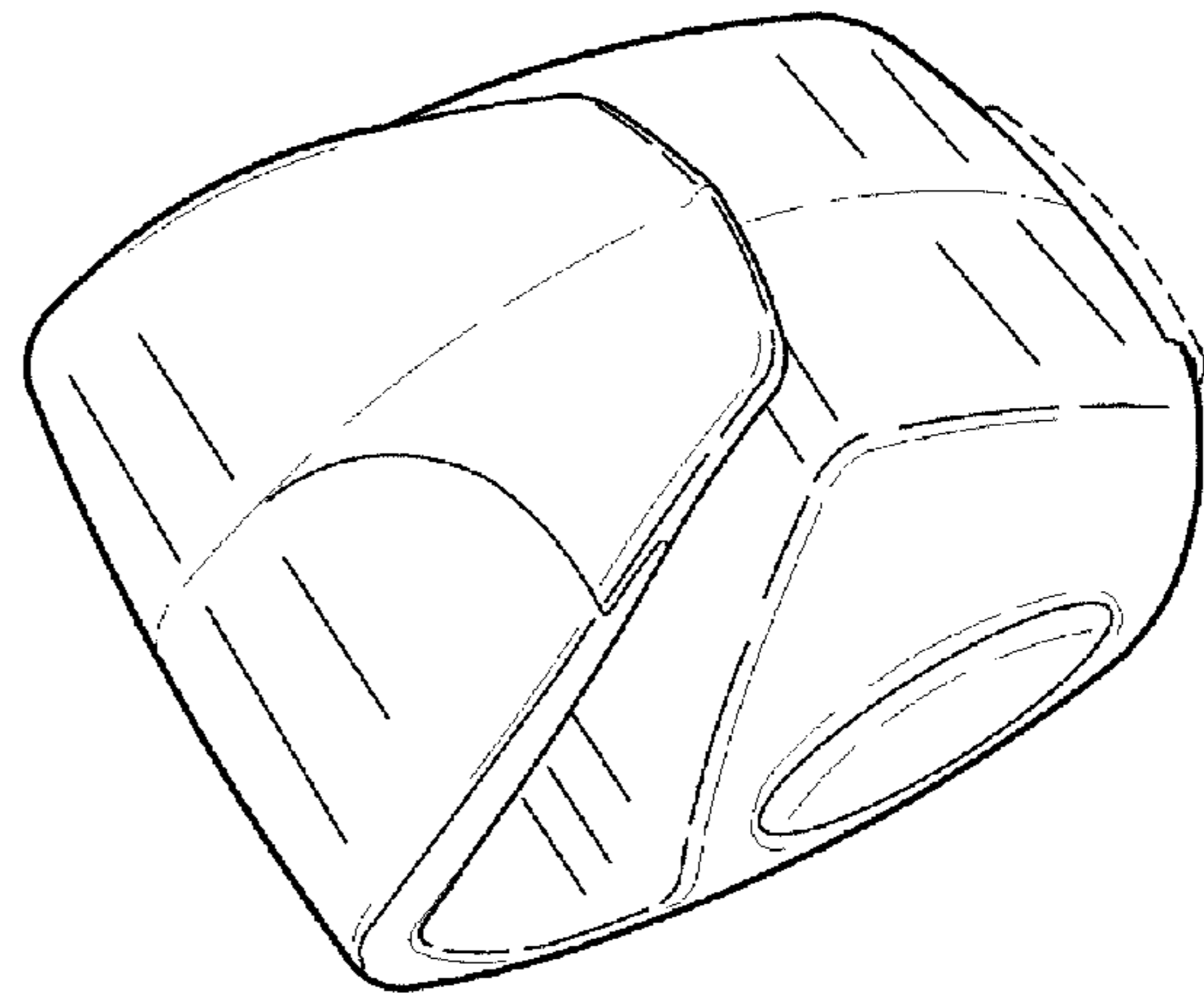


FIG. 2

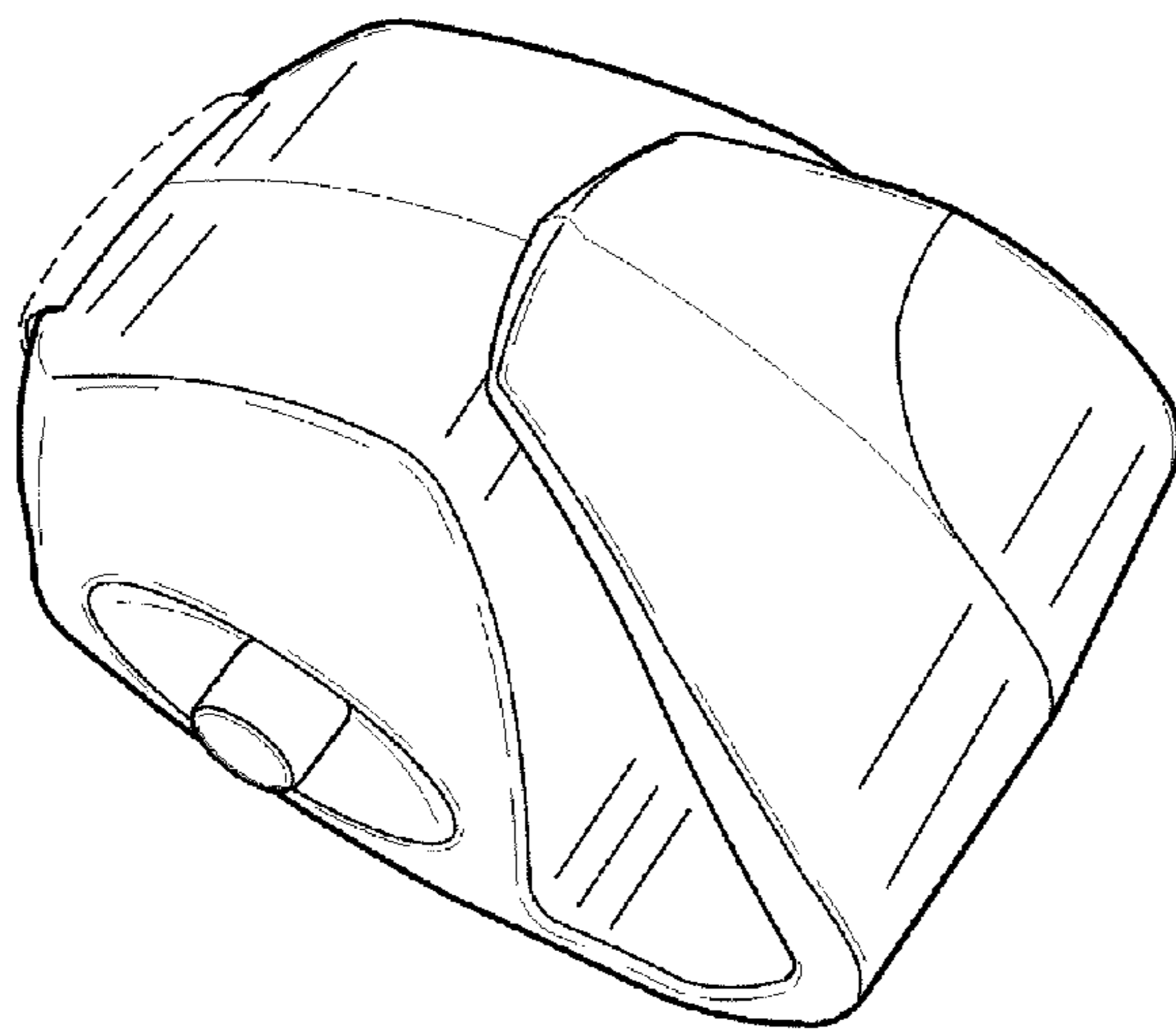


FIG. 3

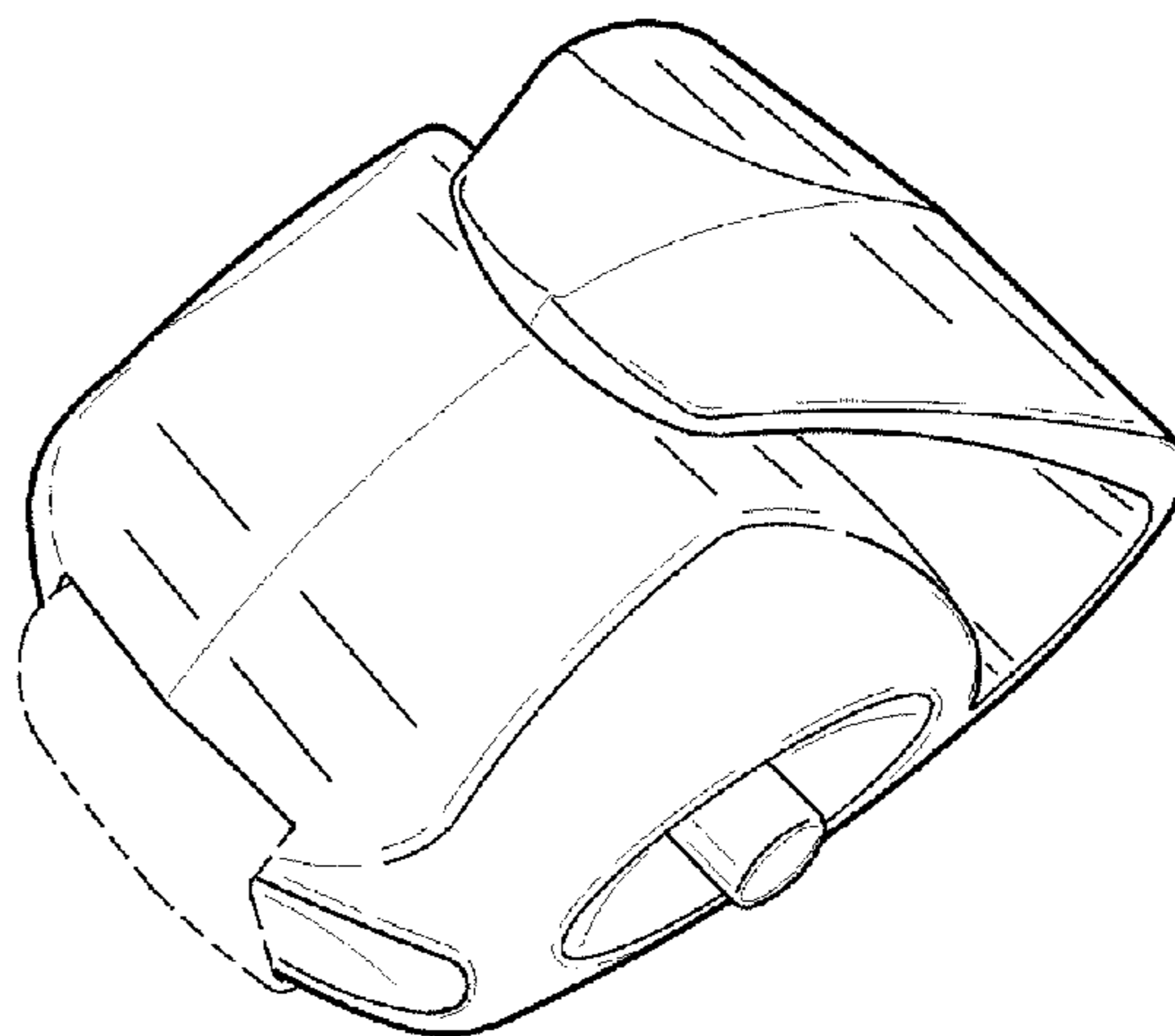


FIG. 4

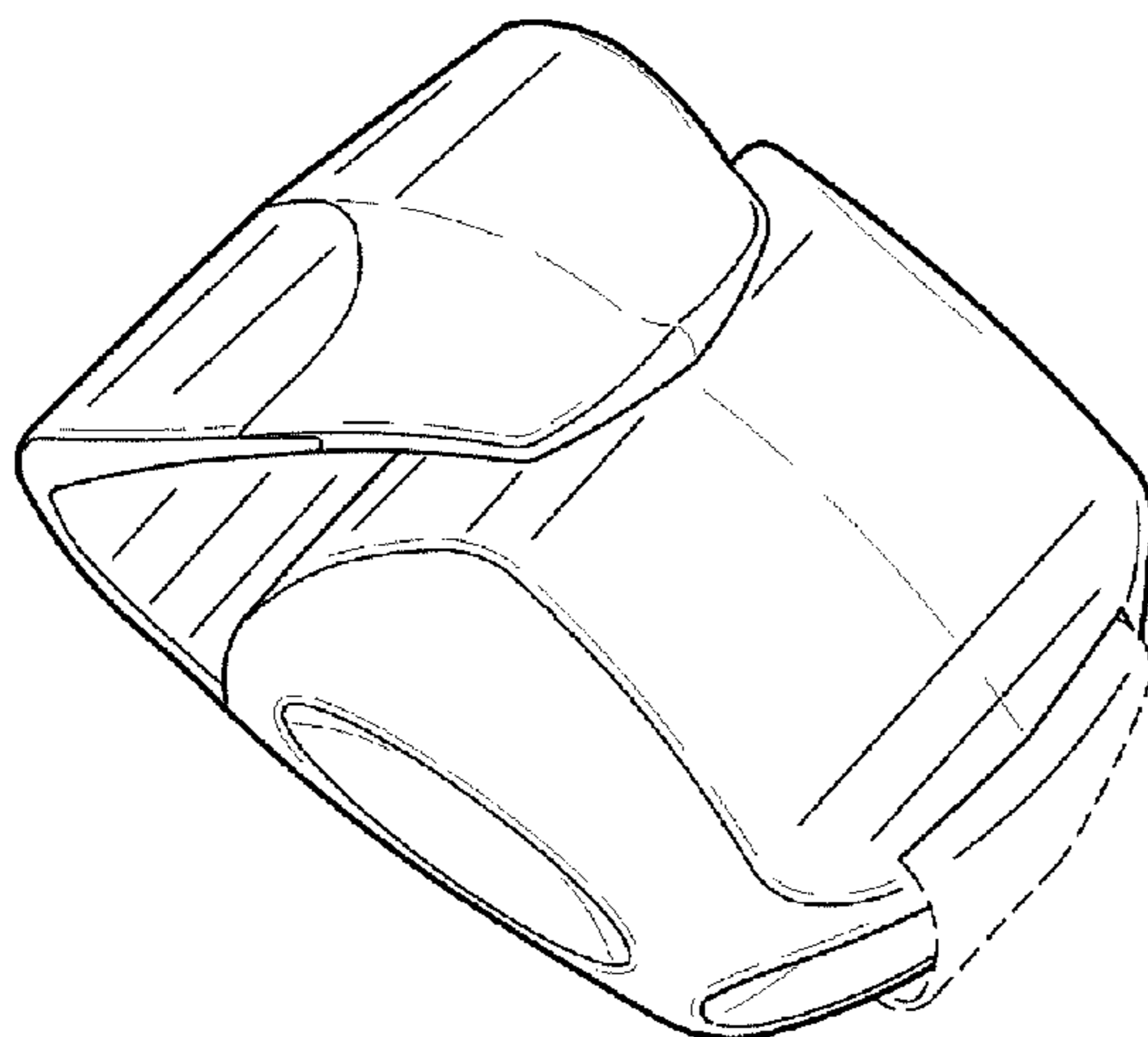


FIG. 5

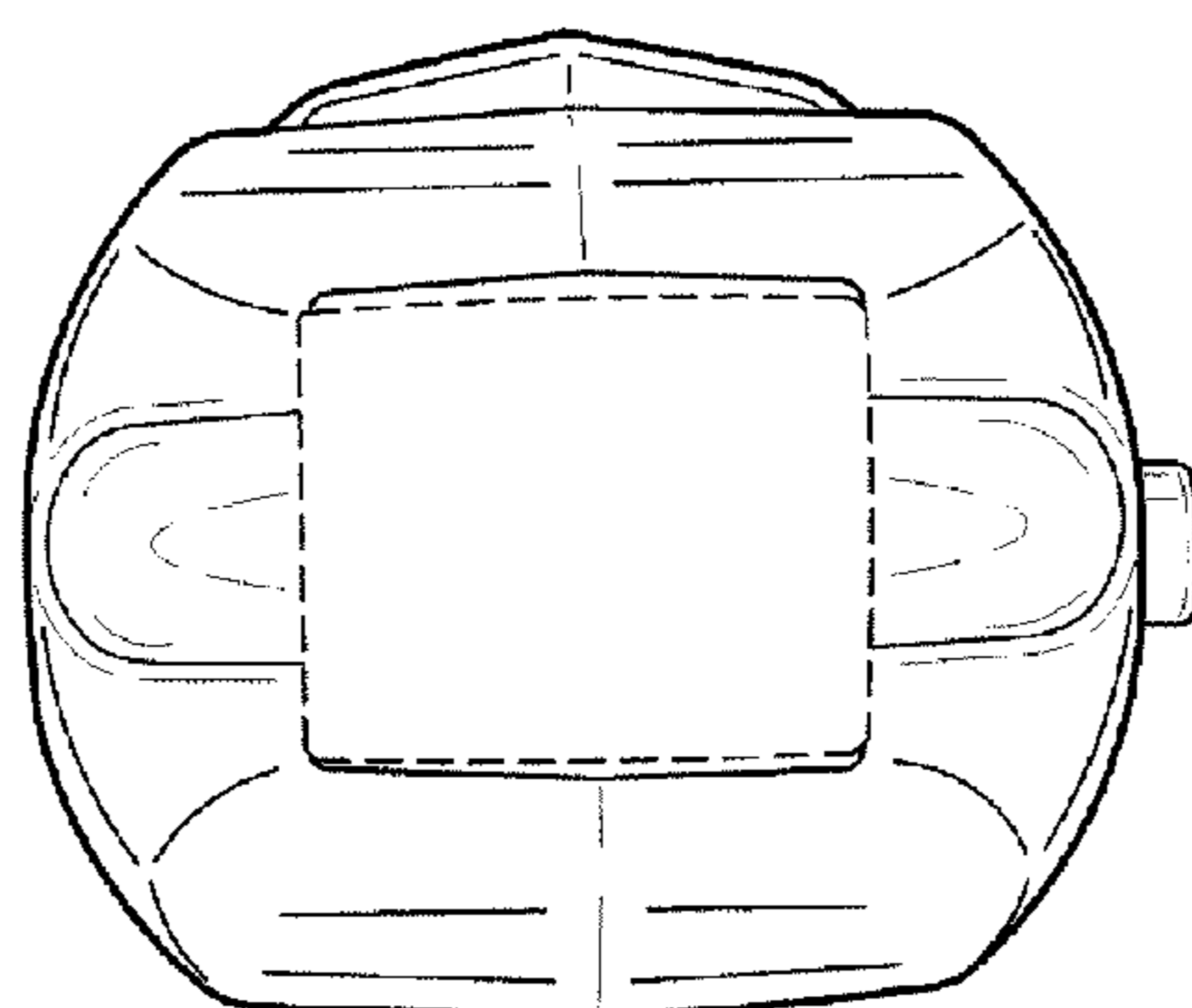


FIG. 6

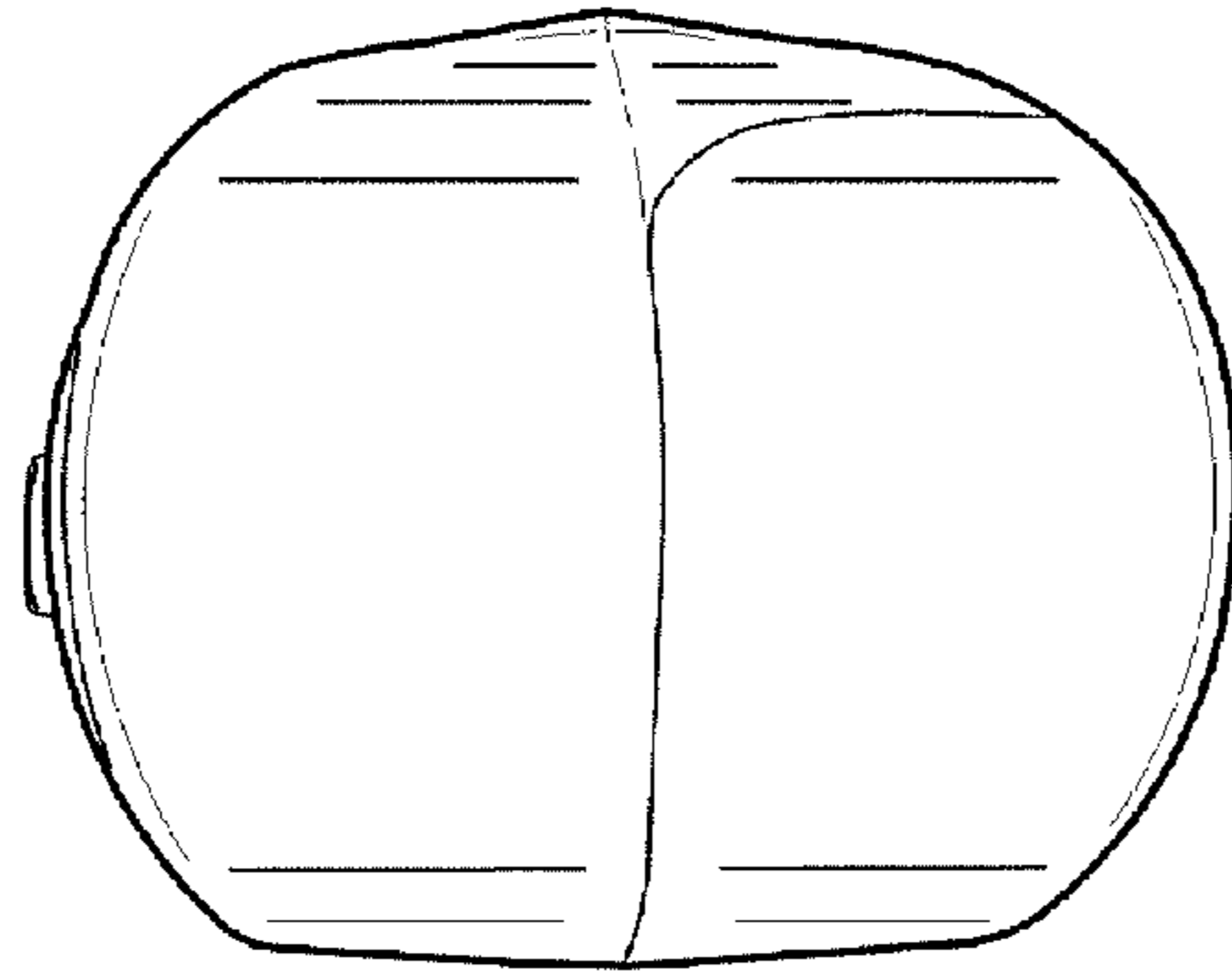


FIG. 7

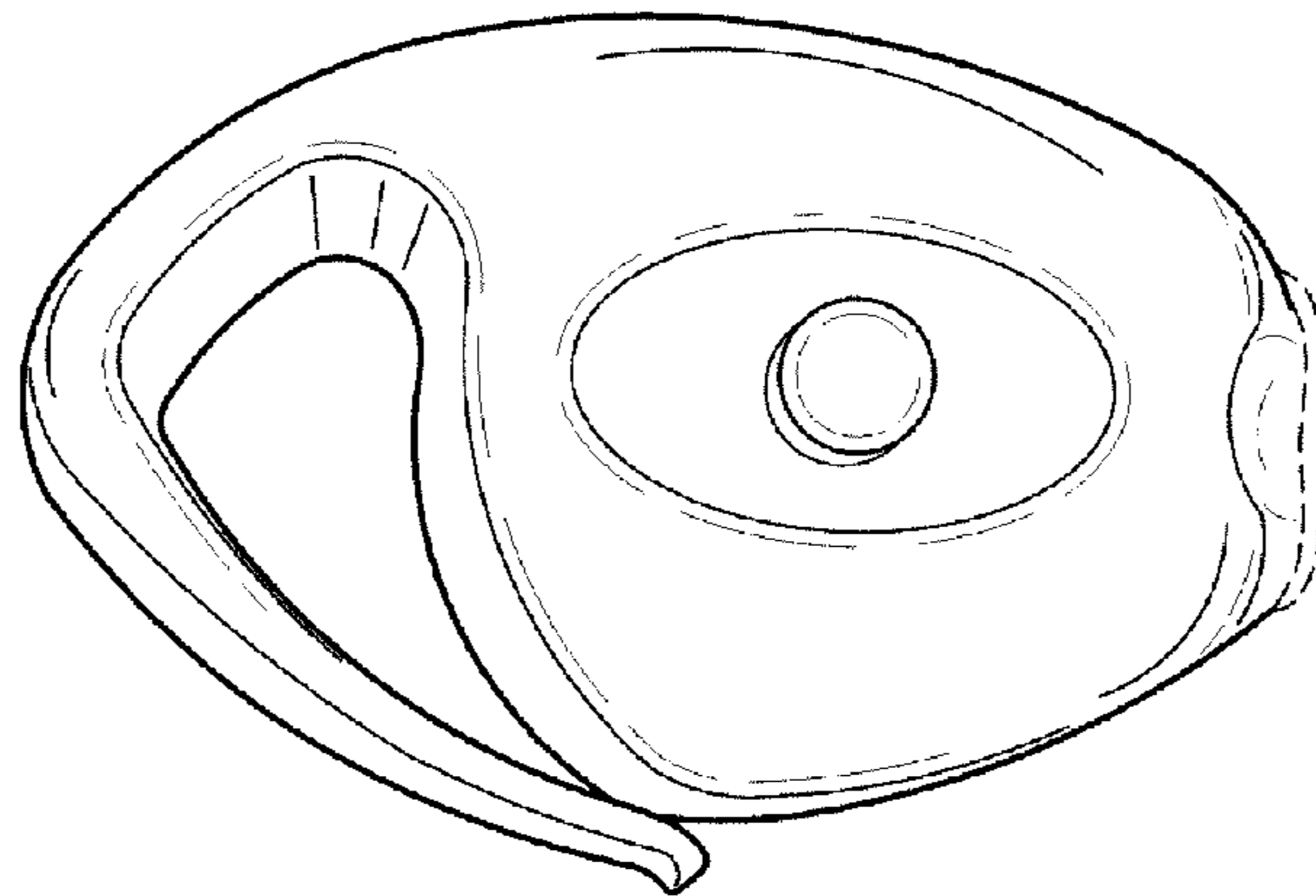


FIG. 8

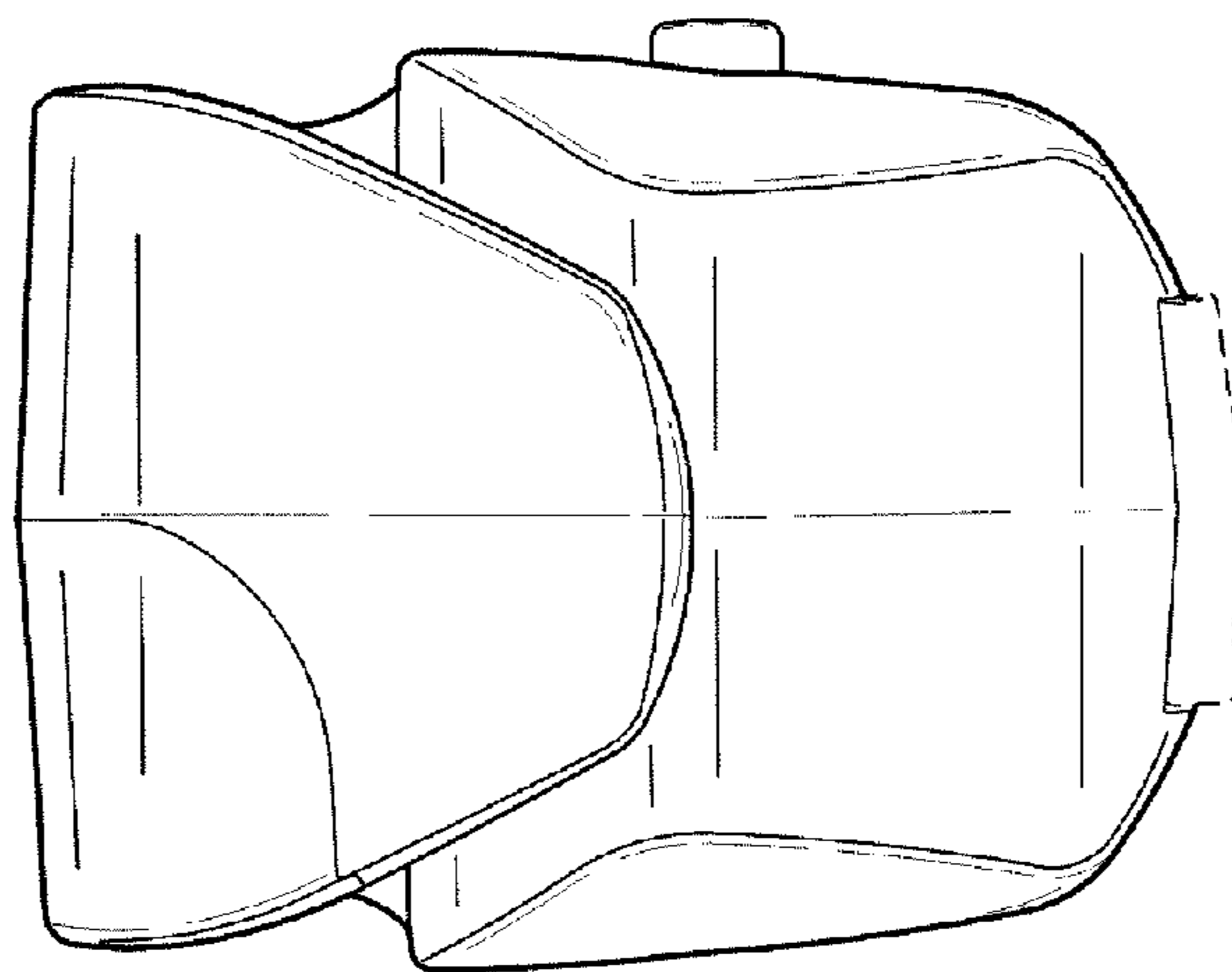


FIG. 9

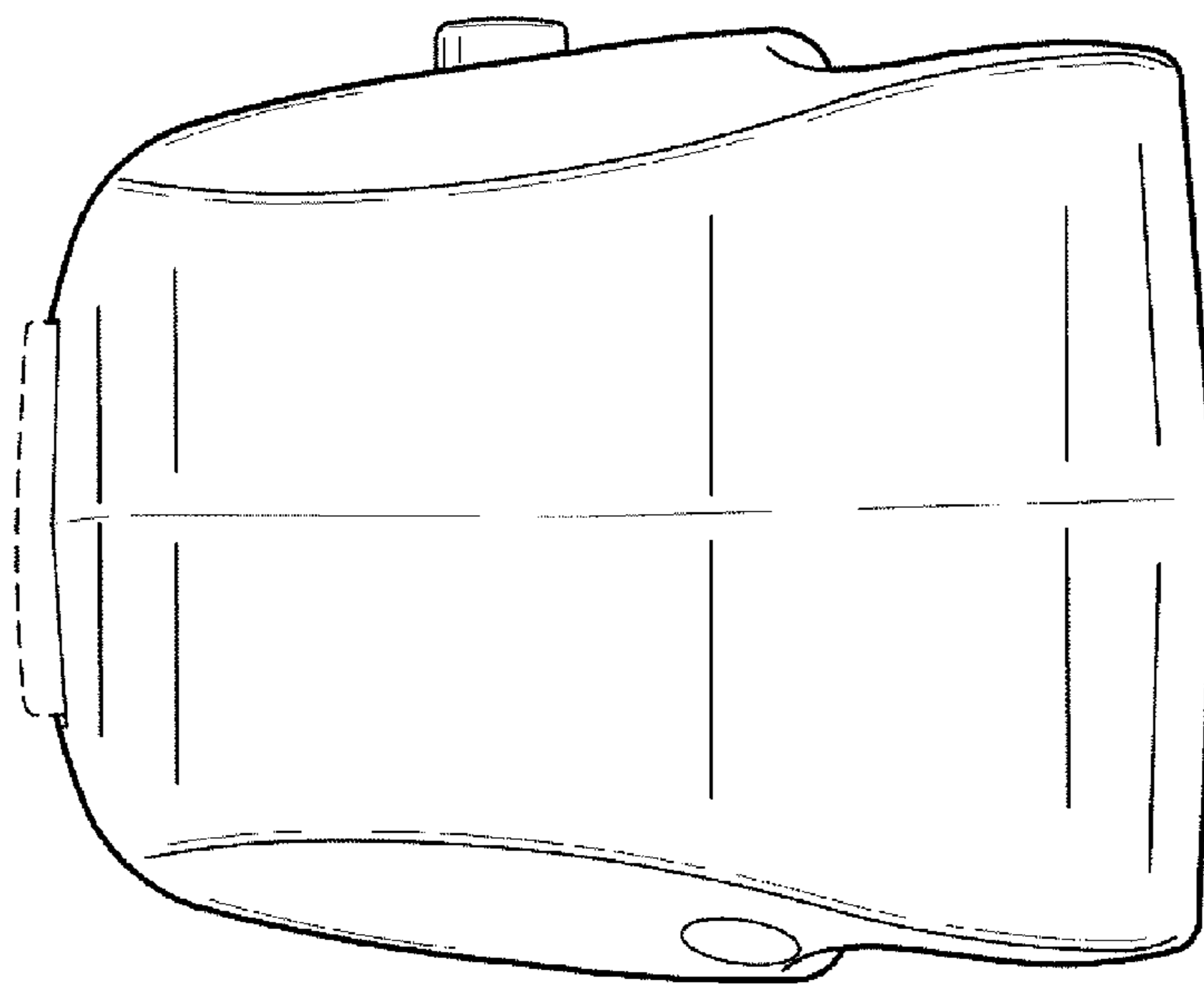


FIG. 10

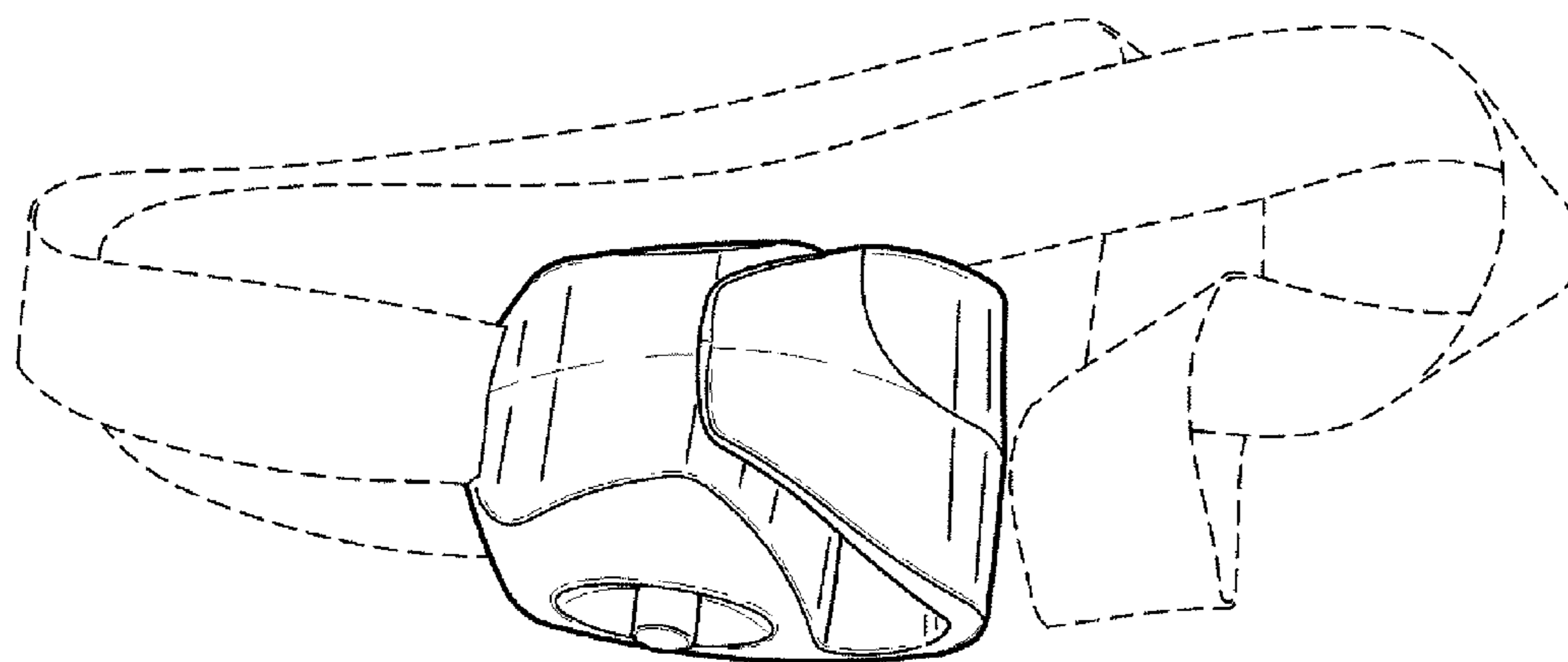


FIG. 11

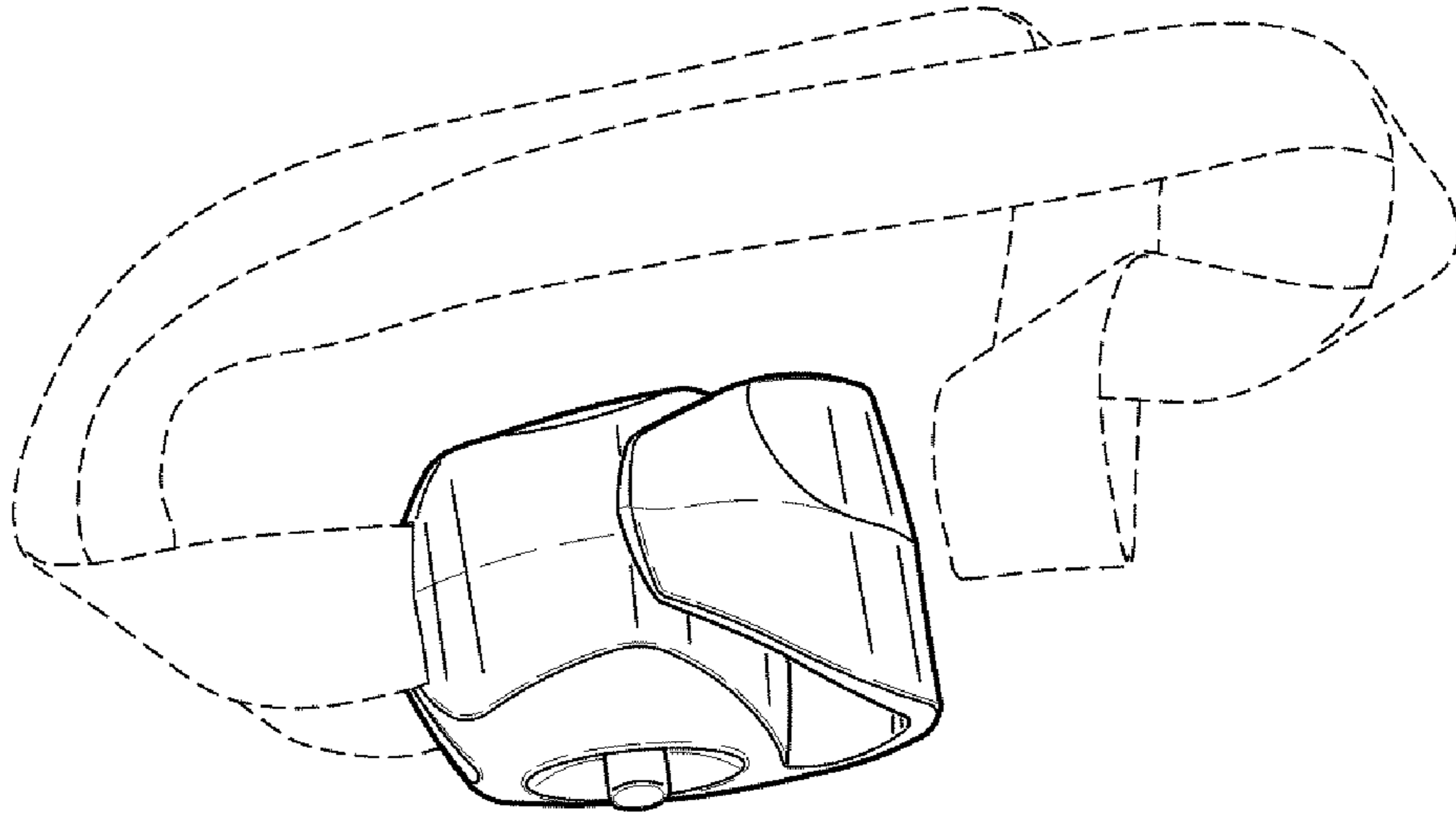


FIG. 12

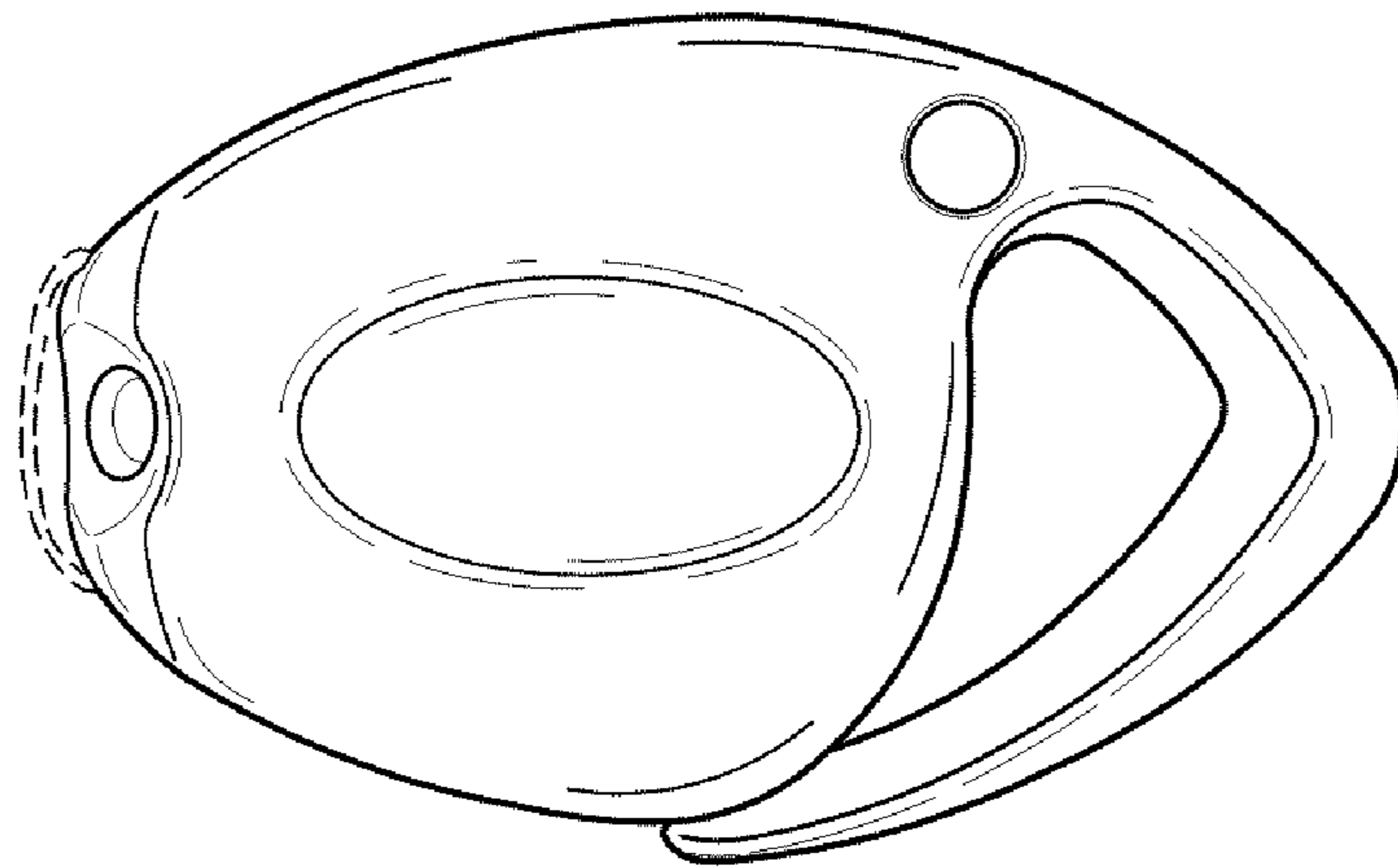


FIG. 13