



US00D642799S

(12) **United States Design Patent**
Williams et al.

(10) **Patent No.:** **US D642,799 S**

(45) **Date of Patent:** **** Aug. 9, 2011**

(54) **HANDLE**

(76) Inventors: **Matthew G. Williams**, Lighthouse Point, FL (US); **Terrence P. Kinskey**, Alpharetta, GA (US)

(**) Term: **14 Years**

(21) Appl. No.: **29/346,858**

(22) Filed: **Nov. 6, 2009**

(51) **LOC (9) Cl.** **03-01**

(52) **U.S. Cl.** **D3/318**

(58) **Field of Classification Search** D3/318,
D3/273, 276, 279, 283, 286; D8/315; 190/108,
190/115, 117, 119, 39, 24

See application file for complete search history.

(56) **References Cited**

U.S. PATENT DOCUMENTS

| | | | | | |
|-----------|-----|---------|--------------|-------|----------|
| 2,912,029 | A * | 11/1959 | Reiter | | 150/120 |
| 3,880,700 | A * | 4/1975 | Ritch et al. | | 156/514 |
| 4,966,259 | A * | 10/1990 | Bergman | | 190/18 A |
| D330,505 | S * | 10/1992 | Doyle | | D8/356 |
| 5,335,759 | A * | 8/1994 | Yeh | | 190/115 |
| D352,221 | S * | 11/1994 | Scholl | | D8/315 |
| 5,934,425 | A * | 8/1999 | Sadow | | 190/115 |
| D472,713 | S * | 4/2003 | Lee | | D3/318 |
| D488,299 | S * | 4/2004 | Nykoluk | | D3/318 |
| D490,979 | S * | 6/2004 | Nykoluk | | D3/318 |
| D505,789 | S * | 6/2005 | Nykoluk | | D3/318 |

| | | | | | |
|----------|-----|---------|--------------|-------|--------|
| D557,900 | S * | 12/2007 | Sijmons | | D3/318 |
| D581,161 | S * | 11/2008 | Tong | | D3/318 |
| D582,678 | S * | 12/2008 | Rekuc et al. | | D3/318 |

* cited by examiner

Primary Examiner — Holly Baynham

(74) *Attorney, Agent, or Firm* — Duanne Morris LLP; J. Rodman Steele, Jr.; Gregory M. Lefkowitz

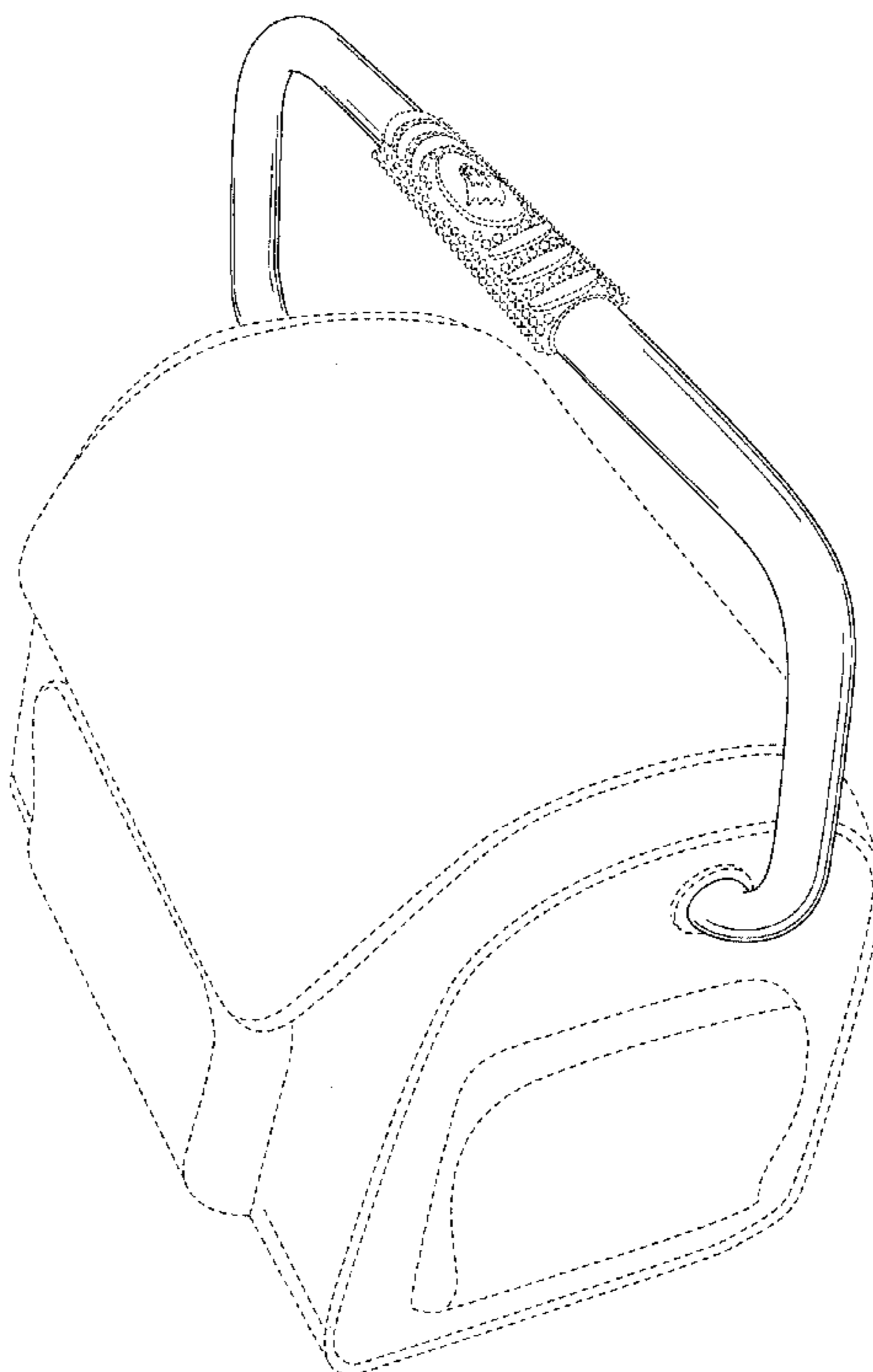
(57) **CLAIM**

The ornamental design for a handle, as shown and described.

DESCRIPTION

FIG. 1 is a perspective view of our ornamental design; FIG. 2 is a front elevation view of the ornamental design of FIG. 1; FIG. 3 is a rear elevation view of the ornamental design of FIG. 1; FIG. 4 is a right view of the ornamental design of FIG. 1; FIG. 5 is a left view of the ornamental design of FIG. 1; FIG. 6 is a top view of the ornamental design of FIG. 1; FIG. 7 is a bottom view of the ornamental design of FIG. 1; FIG. 8 is another environmental, perspective view of FIG. 1; FIG. 9 is a cross-sectional view of the ornamental design of FIG. 1 taken along cut line 9—9 in FIG. 4; FIG. 10 is a cross-sectional view of the ornamental design of figure 1 taken along cut line 10—10 of FIG. 6; FIG. 11 is a cross-sectional view of the ornamental design of FIG. 1 taken along cut line 11—11 in FIG. 5; and, FIG. 12 is a cross-sectional view of the ornamental design of FIG. 1 taken along cut line 12—12 of FIG. 6. The broken line showing of a bag and portions thereof is included for the purpose of illustrating environment and forms no part of the claimed design.

1 Claim, 12 Drawing Sheets



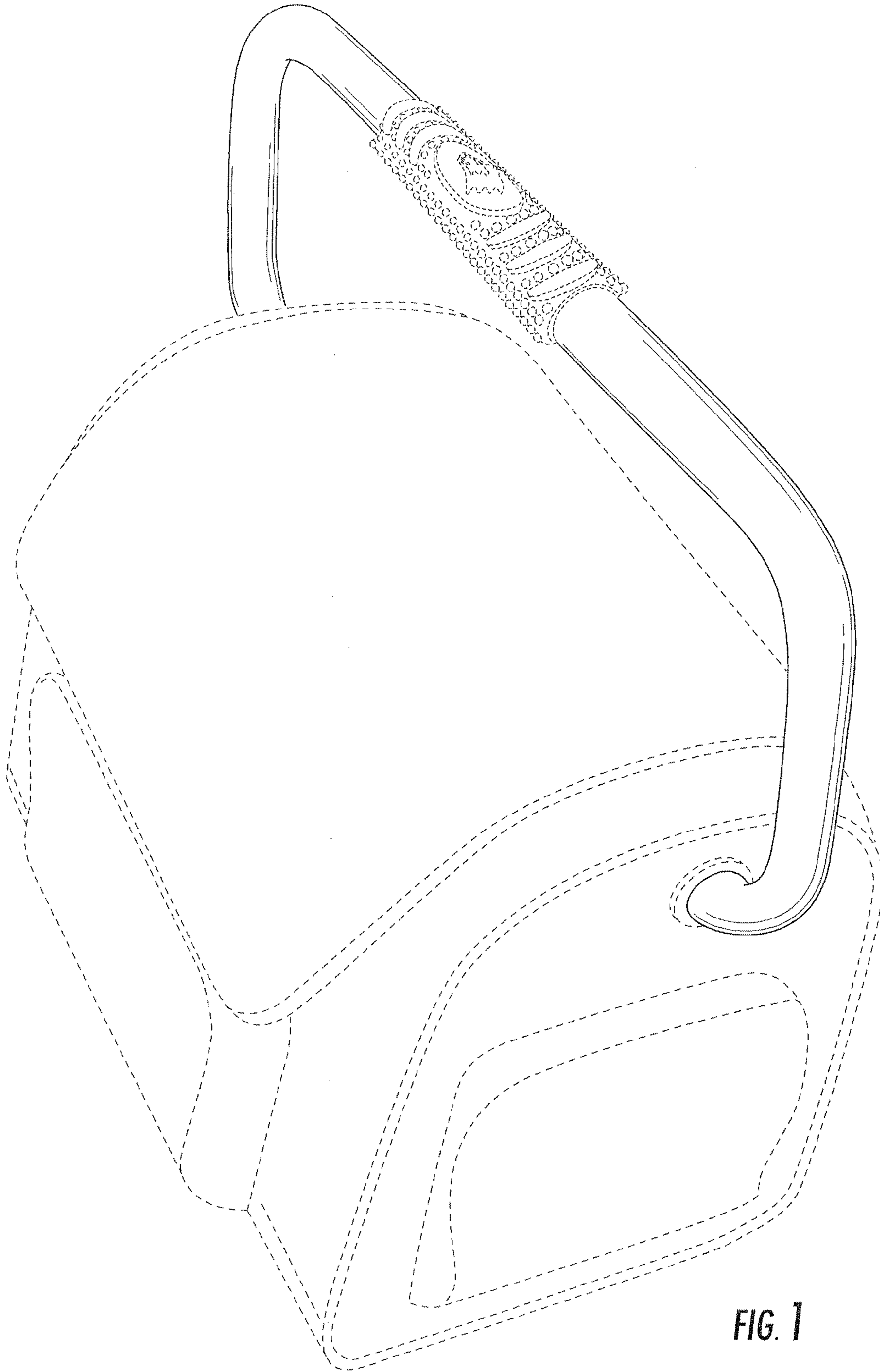


FIG. 1

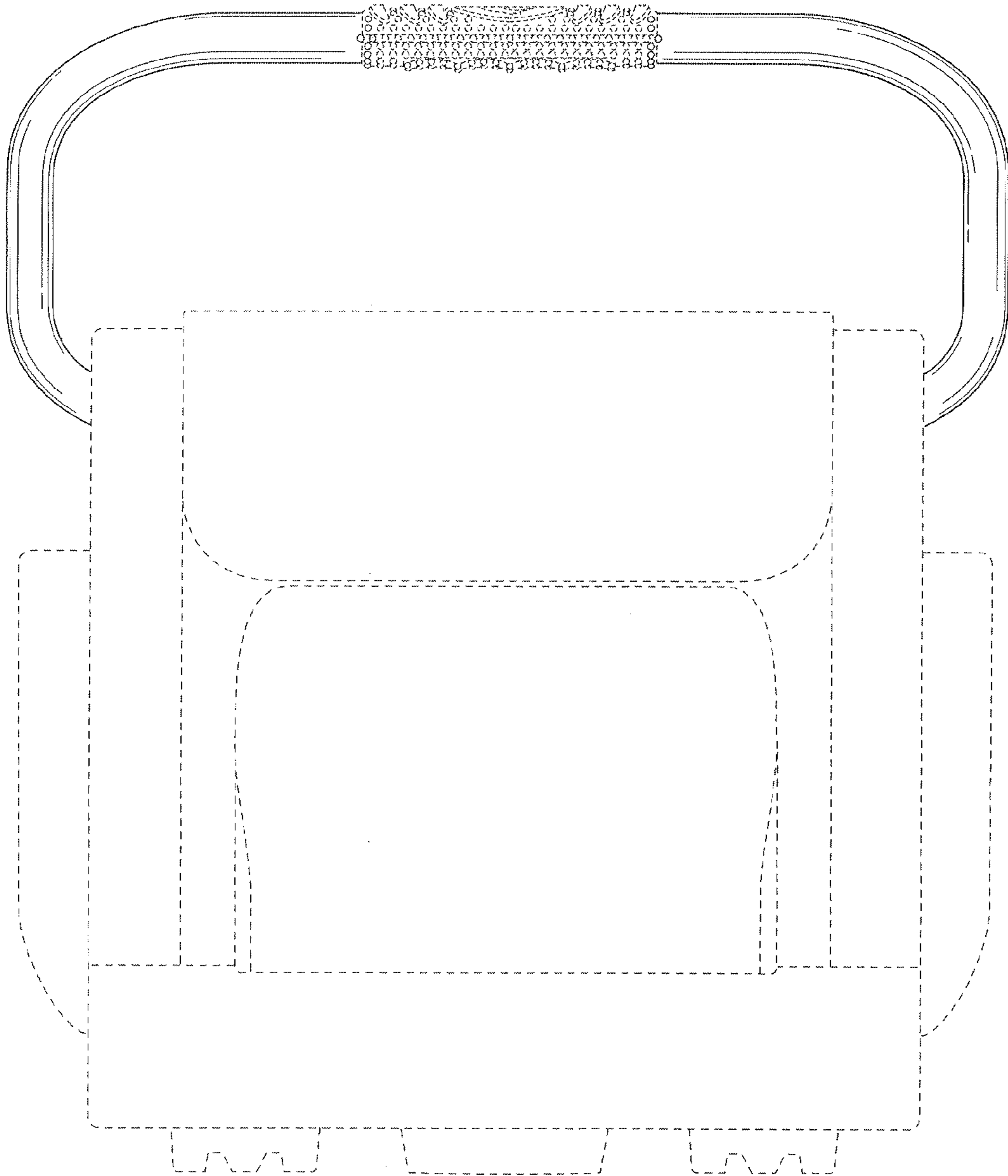


FIG. 2

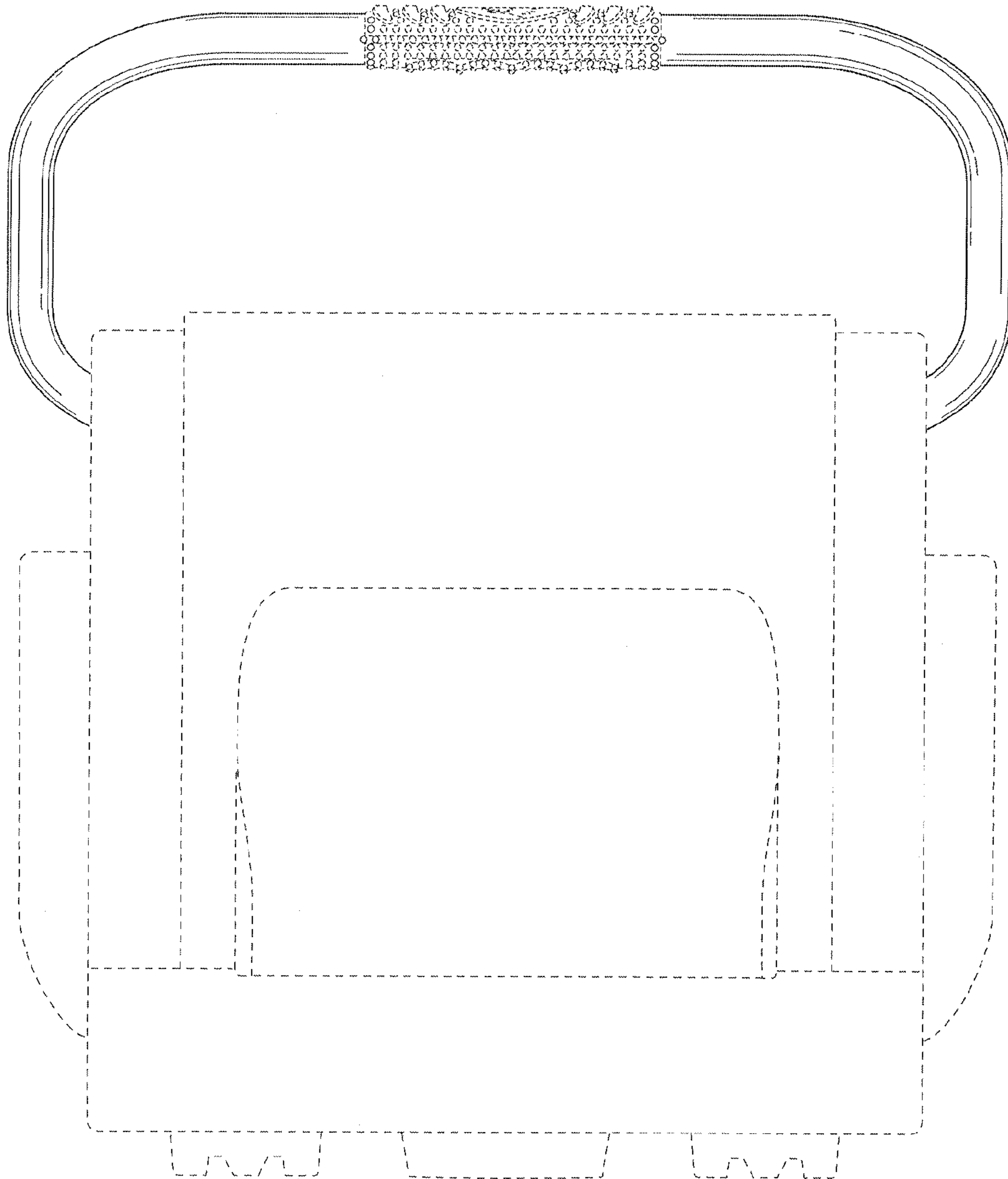


FIG. 3

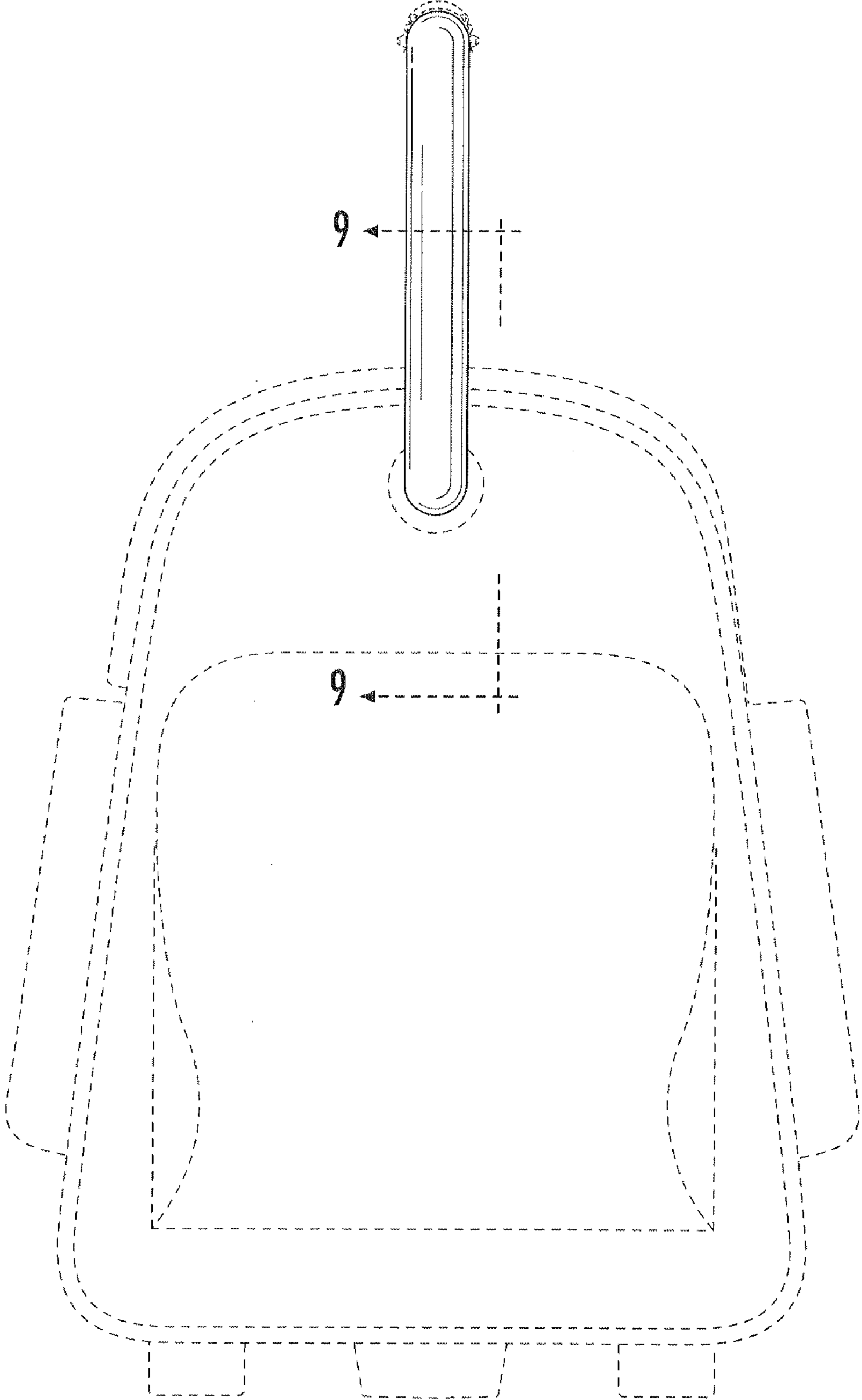


FIG. 4

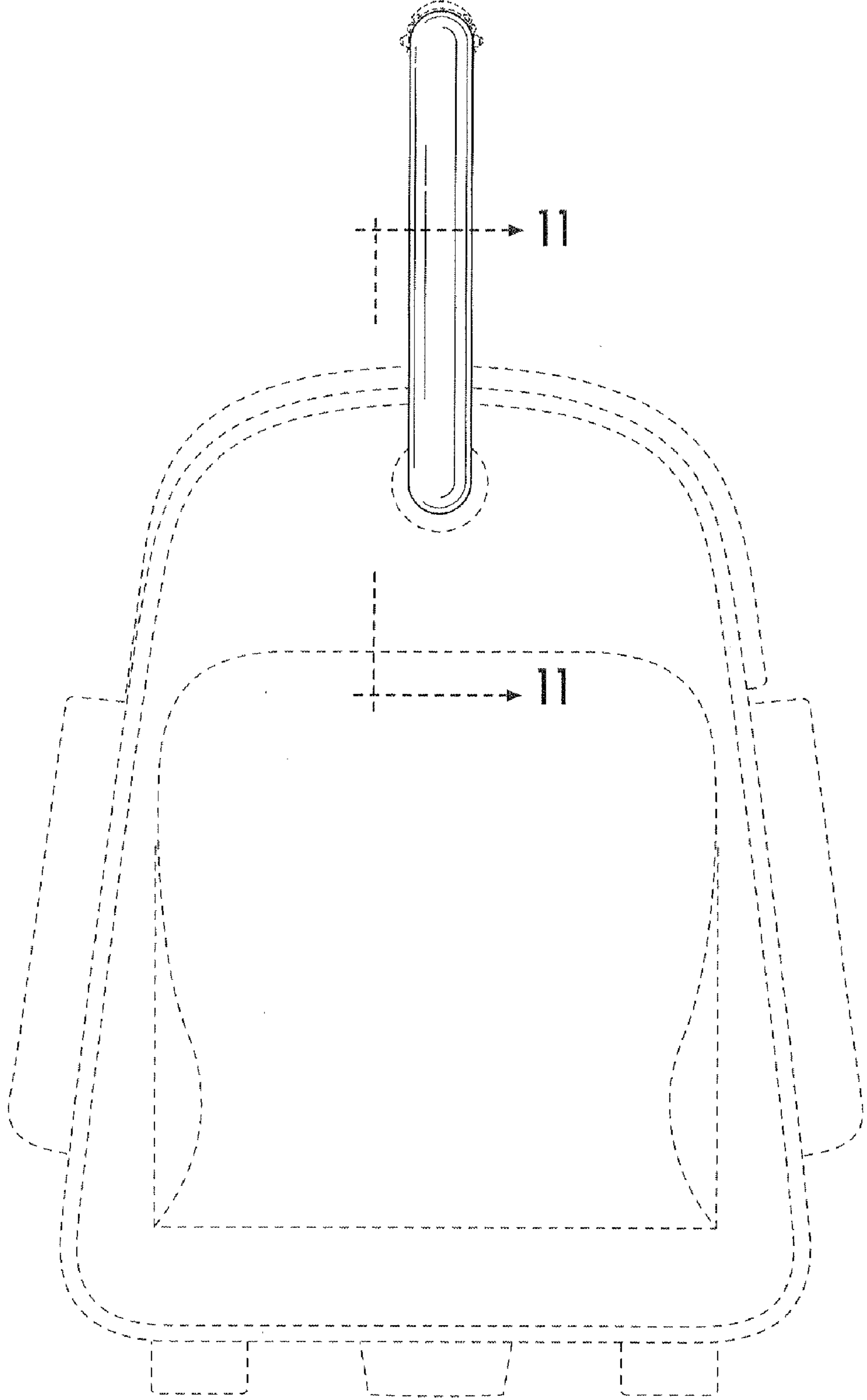


FIG. 5

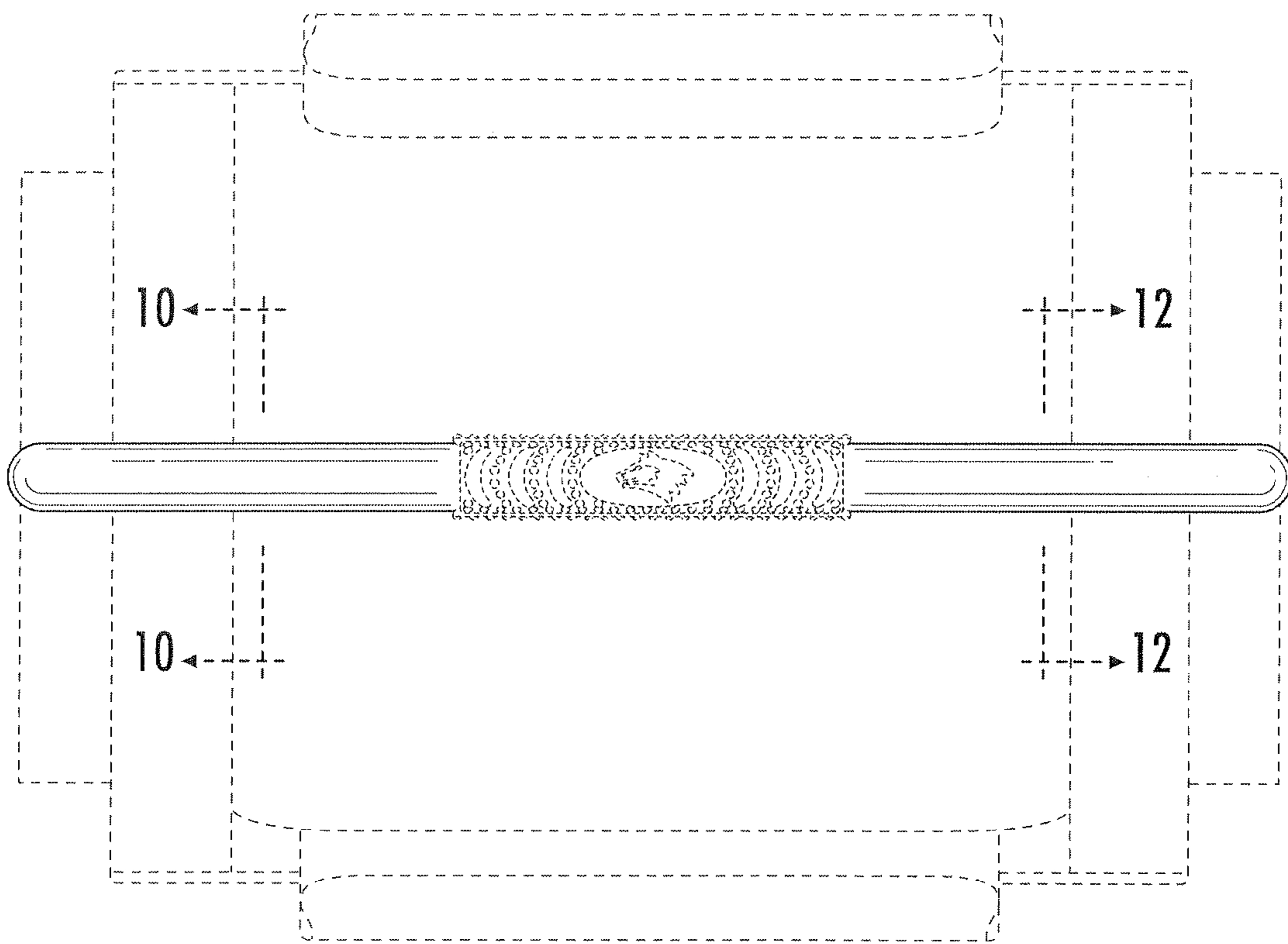


FIG. 6

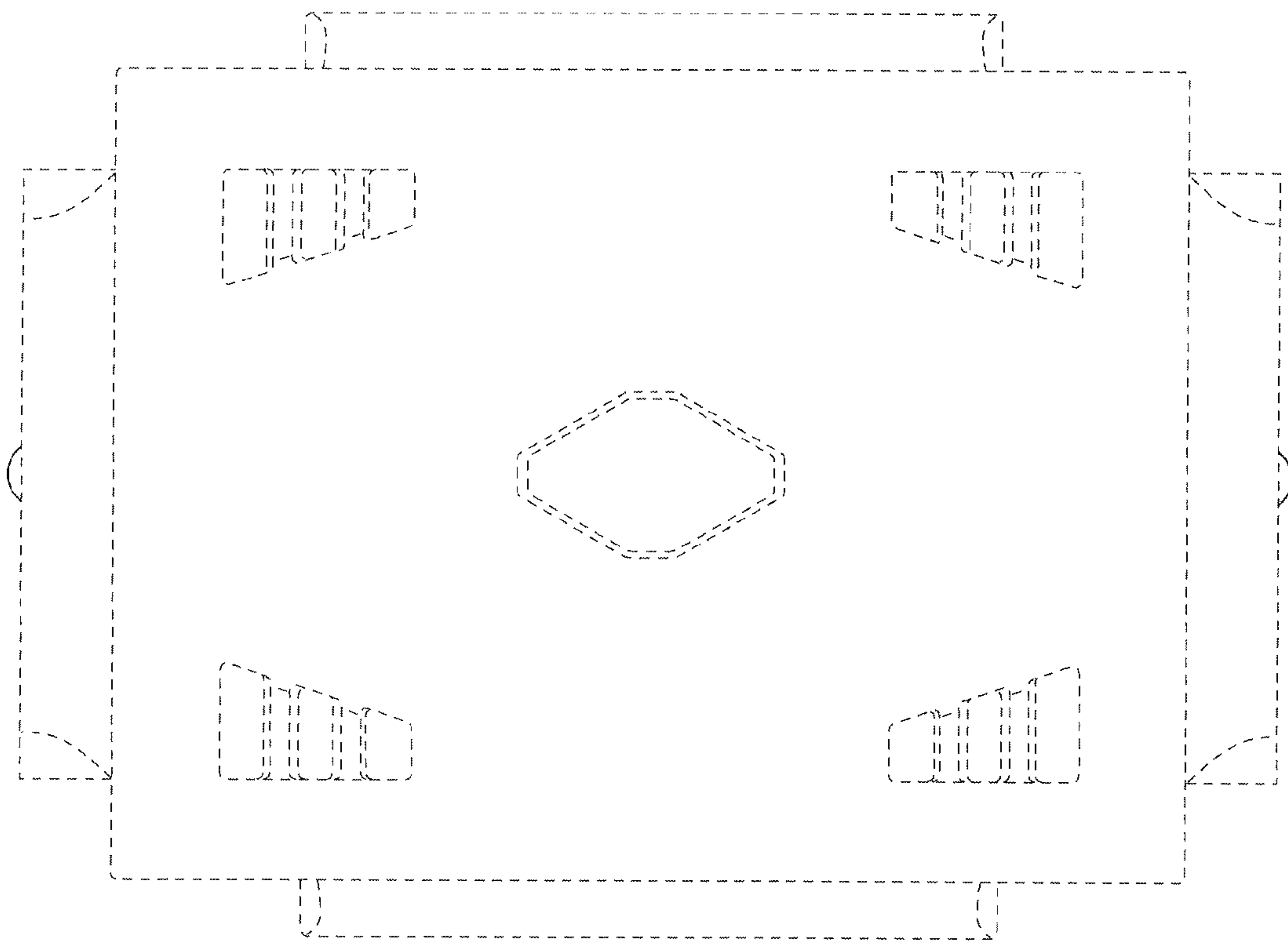


FIG. 7

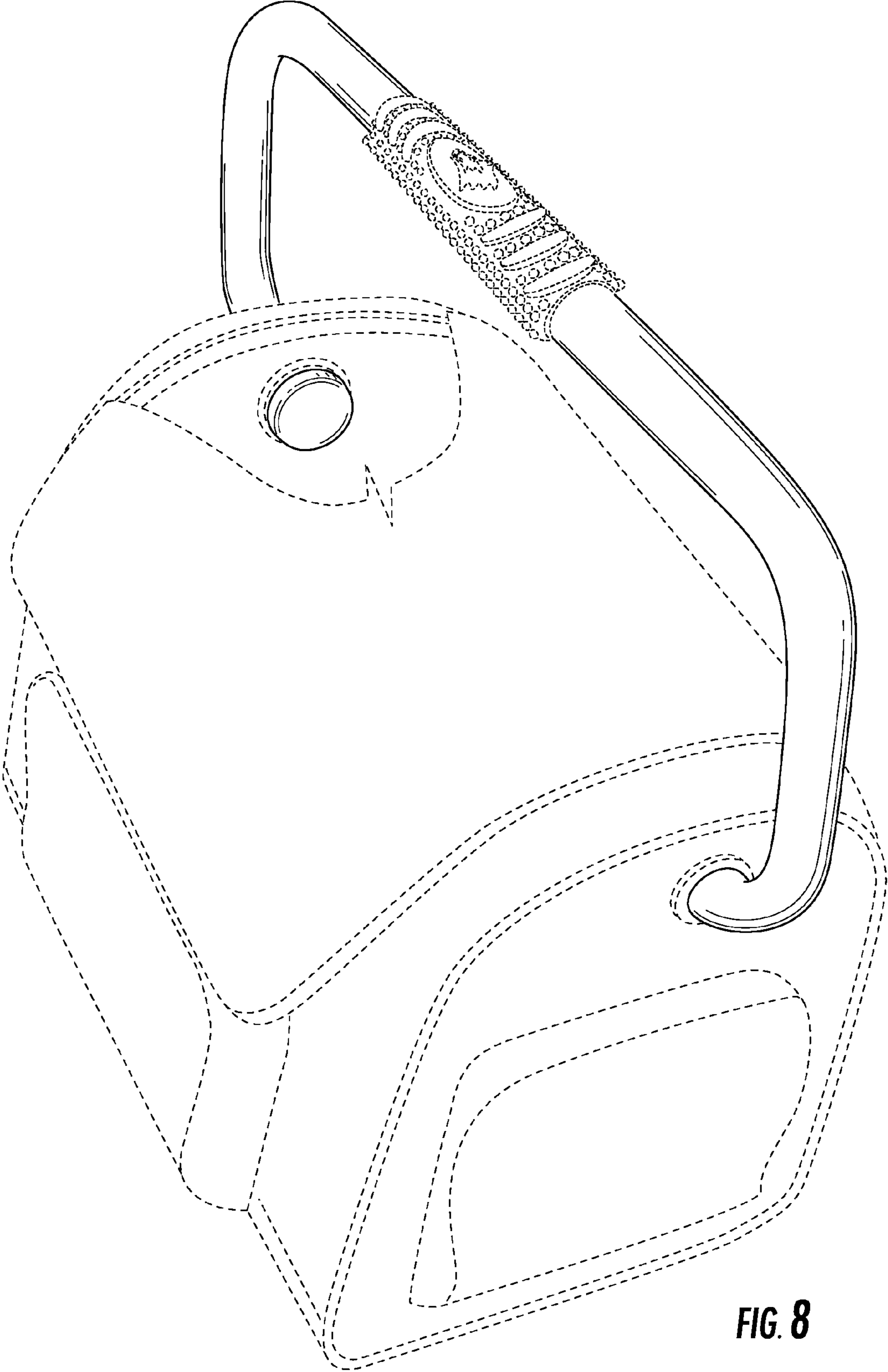


FIG. 8

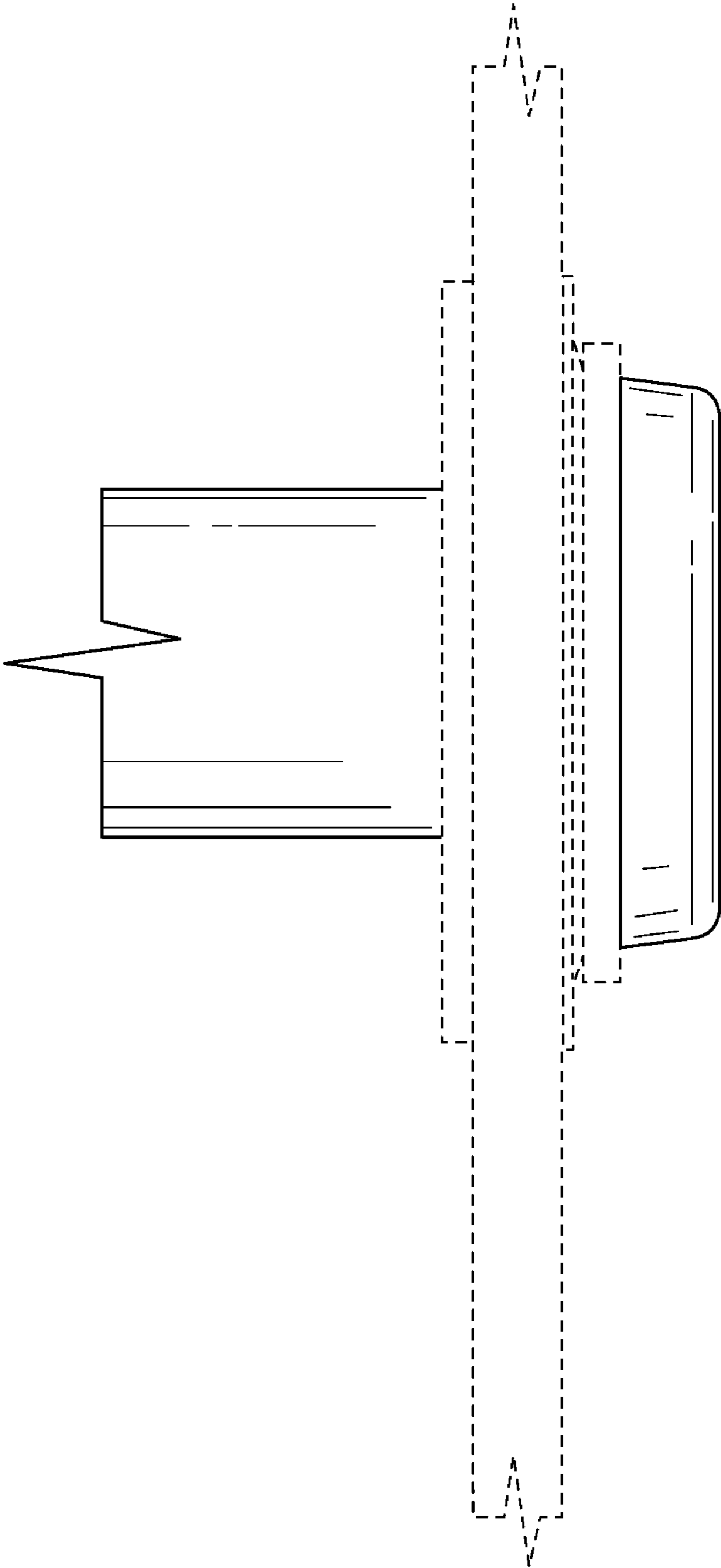


FIG. 9

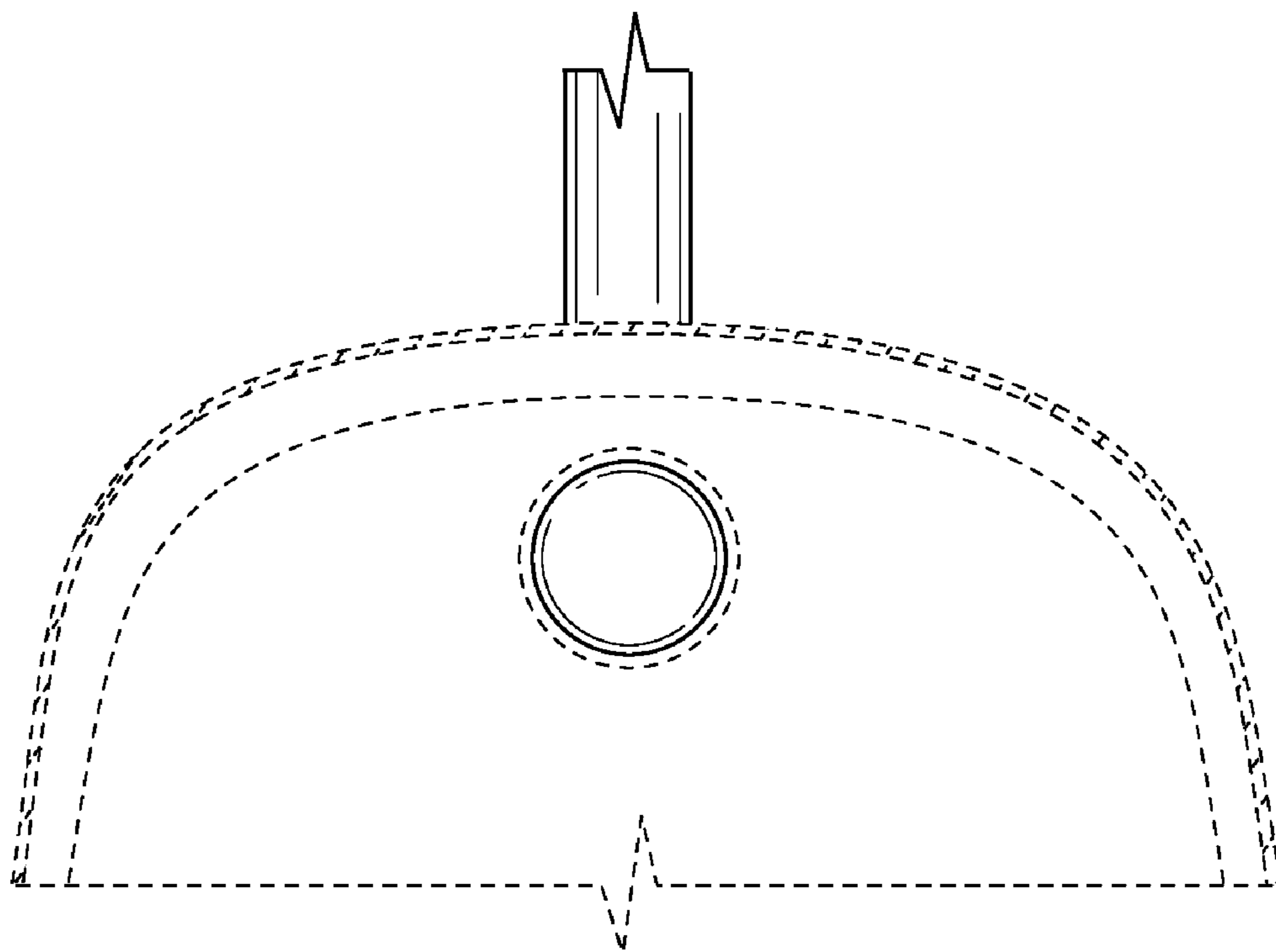
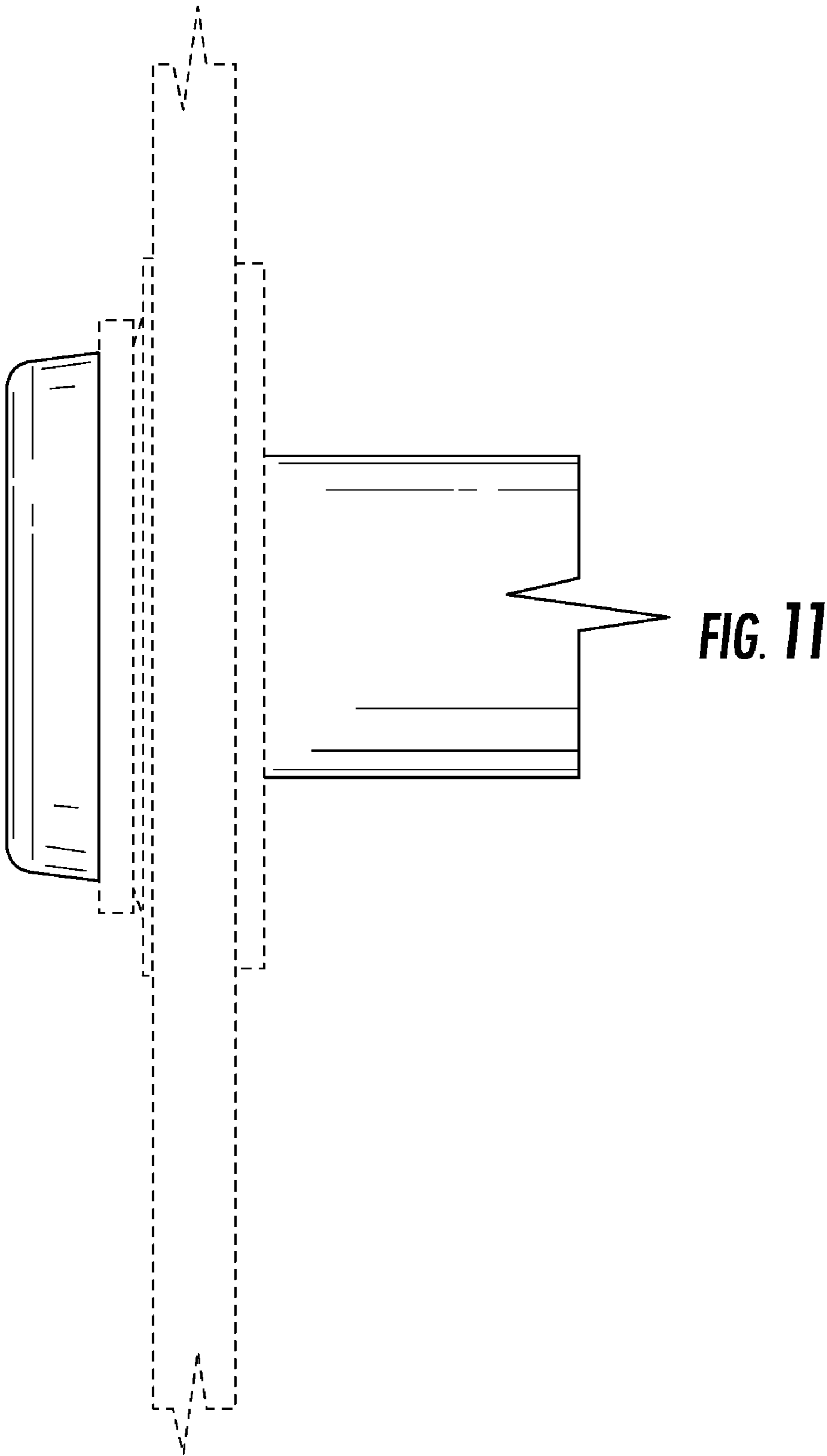


FIG. 10



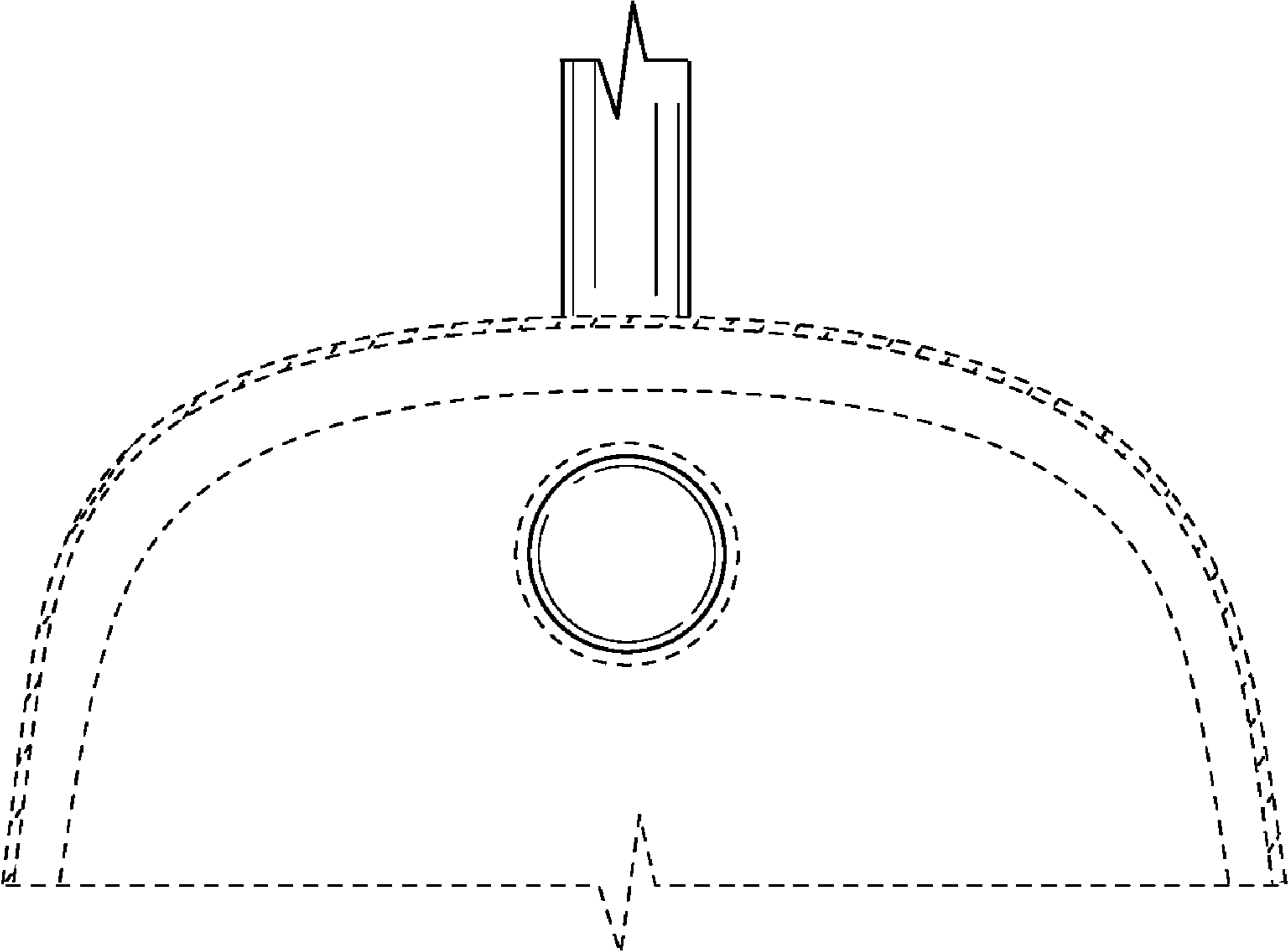


FIG. 12