



US00D642798S

(12) **United States Design Patent**
McCollum

(10) **Patent No.:** **US D642,798 S**

(45) **Date of Patent:** **** Aug. 9, 2011**

(54) **WHEELED TOTE BAG**

(76) Inventor: **James D. McCollum**, Goodman, MO
(US)

(**) Term: **14 Years**

(21) Appl. No.: **29/341,128**

(22) Filed: **Jul. 30, 2009**

Related U.S. Application Data

(63) Continuation-in-part of application No. 29/306,394,
filed on Apr. 9, 2008, now abandoned.

(51) **LOC (9) Cl.** **03-01**

(52) **U.S. Cl.** **D3/279; D3/283; D3/289; D34/25**

(58) **Field of Classification Search** **D3/273,**
D3/276, 279, 282, 283, 289, 290; 280/47.18,
280/651, 654, DIG. 3; D7/605; 190/110,
190/18 A; D34/25

See application file for complete search history.

(56) **References Cited**

U.S. PATENT DOCUMENTS

3,774,931	A *	11/1973	Stelniceanu	280/DIG. 3
D287,779	S *	1/1987	Slany	D34/25
4,989,889	A *	2/1991	Server Perez	280/DIG. 3
5,240,264	A *	8/1993	Williams	280/654
D395,164	S *	6/1998	Langmuir et al.	D3/279
D427,768	S *	7/2000	Bogert	D3/279
6,651,993	B1 *	11/2003	Emerzian et al.	280/47.34
D507,876	S *	8/2005	Fadely	D3/279
D508,376	S *	8/2005	Bhavnani	D7/605
D517,804	S *	3/2006	Davenport et al.	D3/279
D528,370	S *	9/2006	Cooper	D7/607
D583,151	S *	12/2008	Chung et al.	D3/279

2003/0137131	A1 *	7/2003	Strange	280/651
2008/0093238	A1 *	4/2008	Handelman et al.	190/18 A
2008/0296110	A1 *	12/2008	Simester	190/14
2010/0327562	A1 *	12/2010	Kasuya et al.	280/651
2011/0056788	A1 *	3/2011	Jackson	190/2

* cited by examiner

Primary Examiner — Jennifer Rivard

(74) *Attorney, Agent, or Firm* — Martin & Associates, LLC;
Derek P. Martin

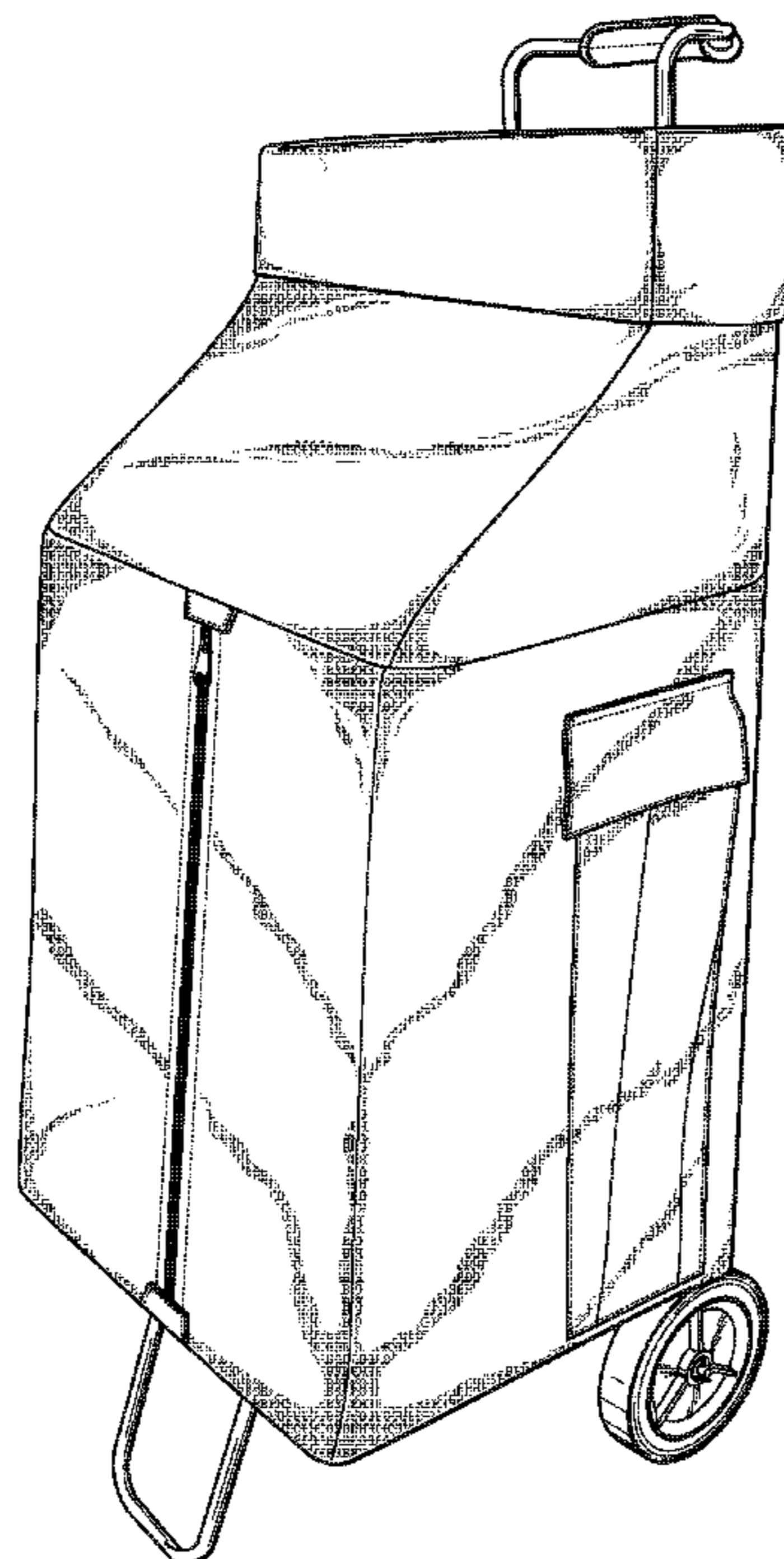
(57) **CLAIM**

The ornamental design for a wheeled tote bag, as shown and described.

DESCRIPTION

FIG. 1 is a front perspective view of a wheeled tote bag showing my new design;
 FIG. 2 is a back perspective view thereof;
 FIG. 3 is a front view thereof;
 FIG. 4 is a back view thereof;
 FIG. 5 is a left side view thereof, with the opposing right side view being a mirror image;
 FIG. 6 is a top view thereof;
 FIG. 7 is a bottom view thereof;
 FIG. 8 is a left side view thereof in a collapsed configuration, with the opposing right side view being a mirror image;
 FIG. 9 is a back view thereof in a collapsed configuration;
 FIG. 10 is a top view thereof in a collapsed configuration;
 FIG. 11 is a front view thereof in a collapsed configuration;
 and,
 FIG. 12 is a bottom view thereof in a collapsed configuration.

1 Claim, 8 Drawing Sheets



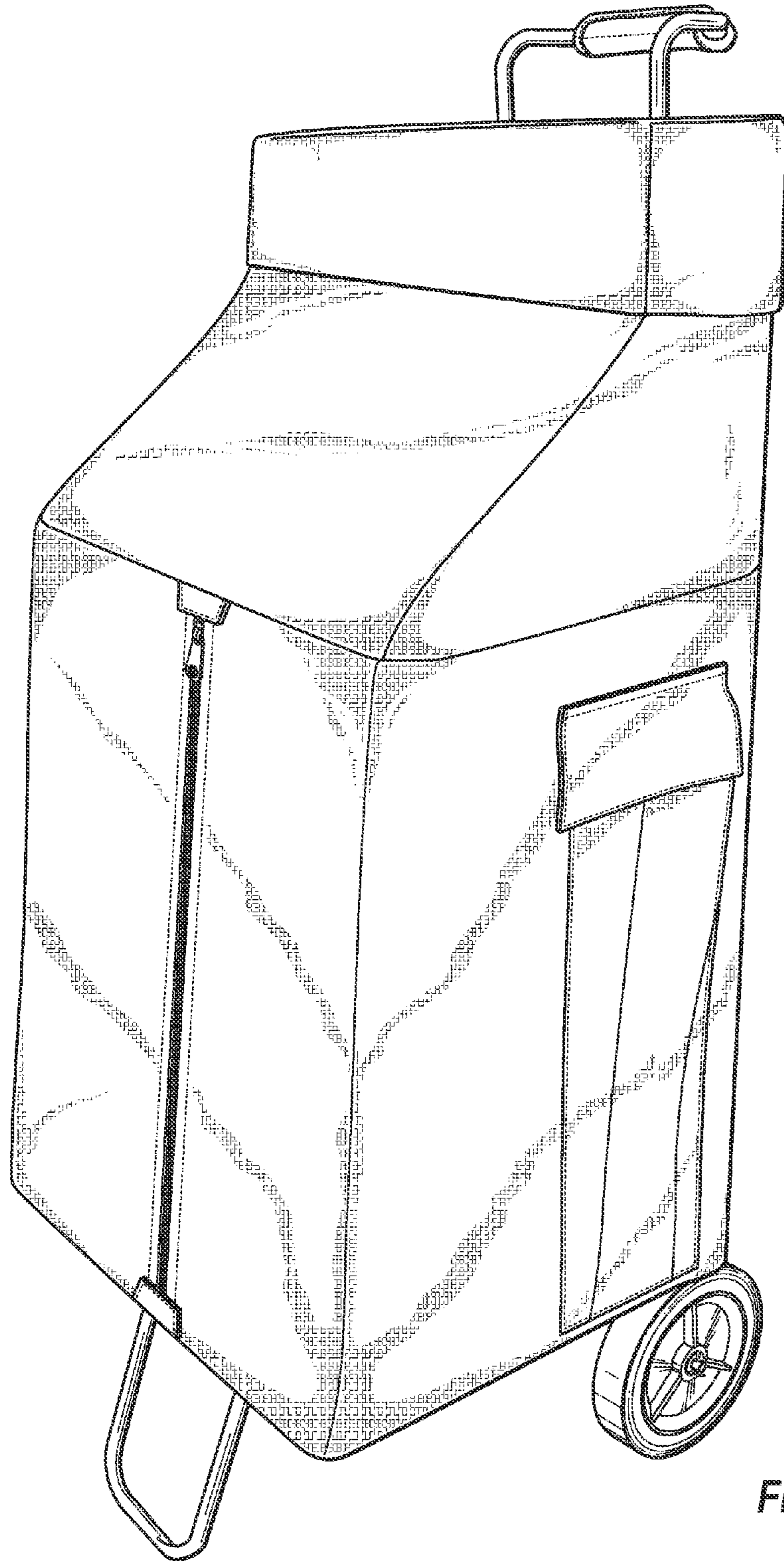


FIG. 1

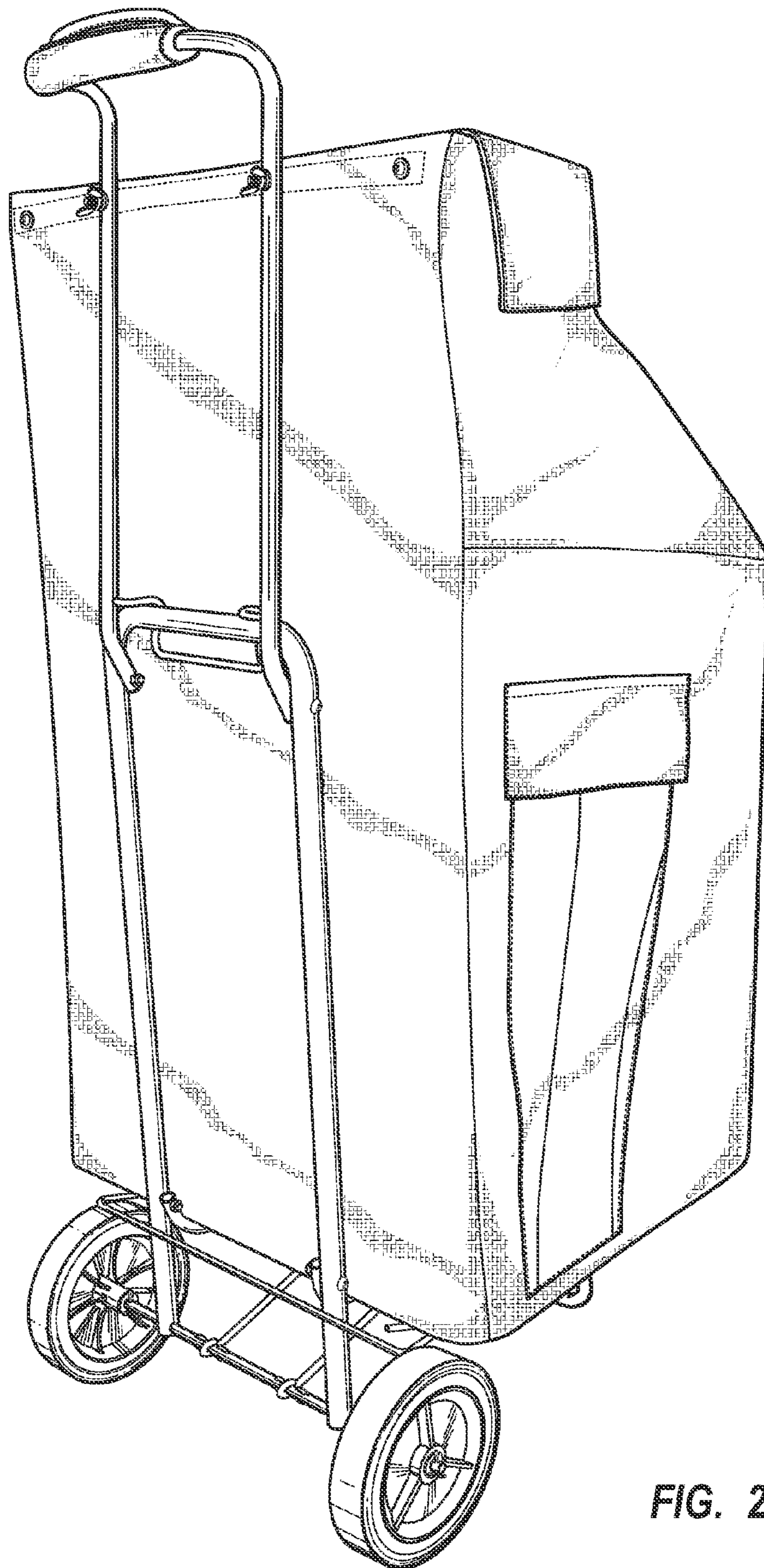


FIG. 2

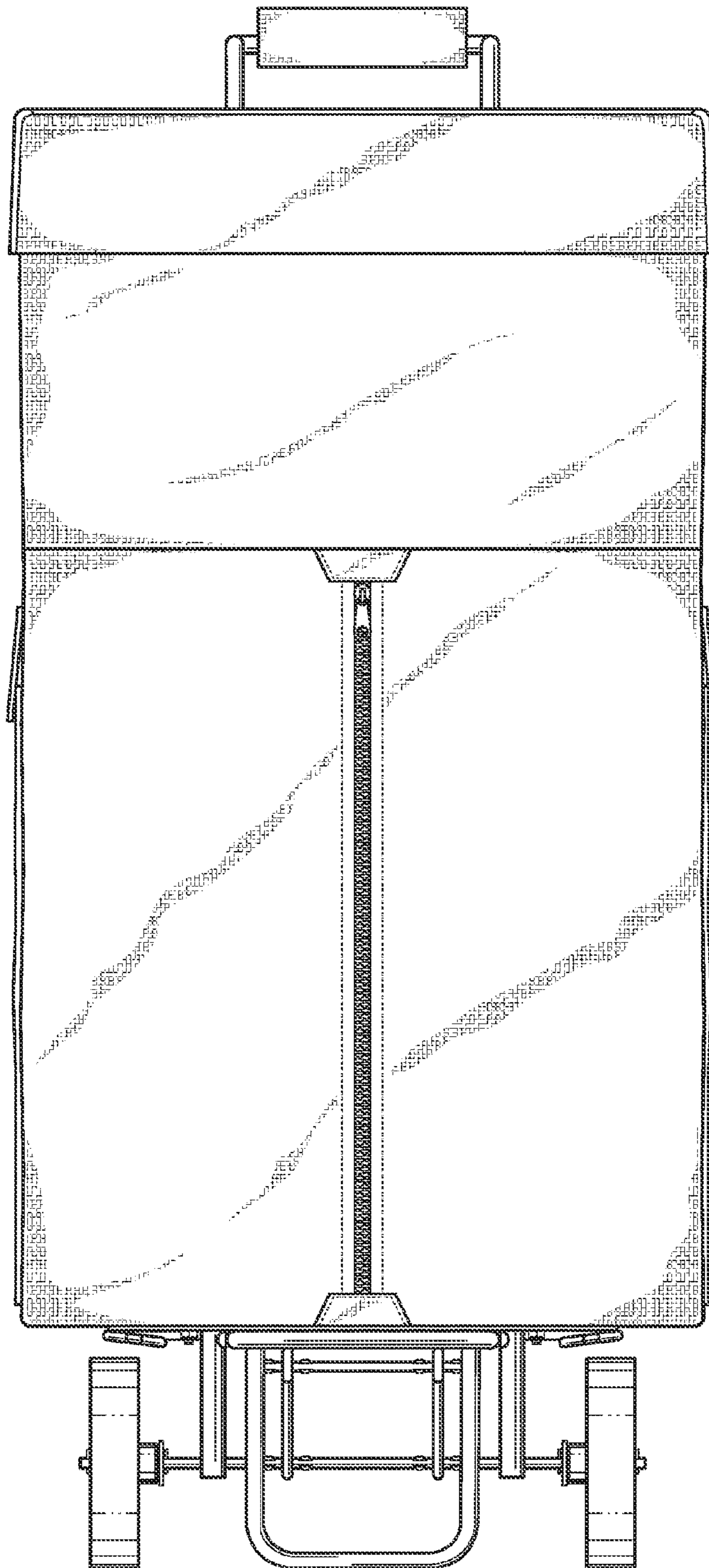


FIG. 3

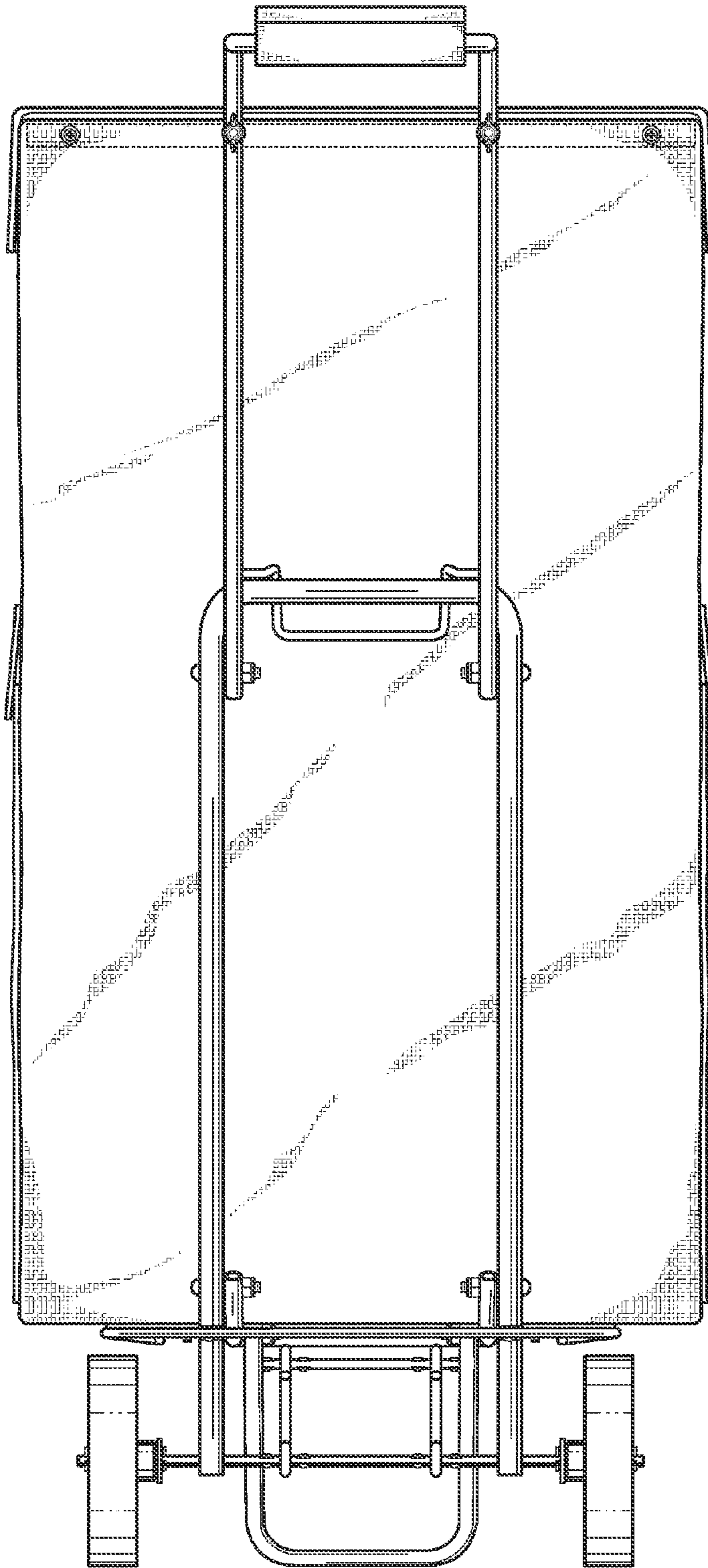


FIG. 4

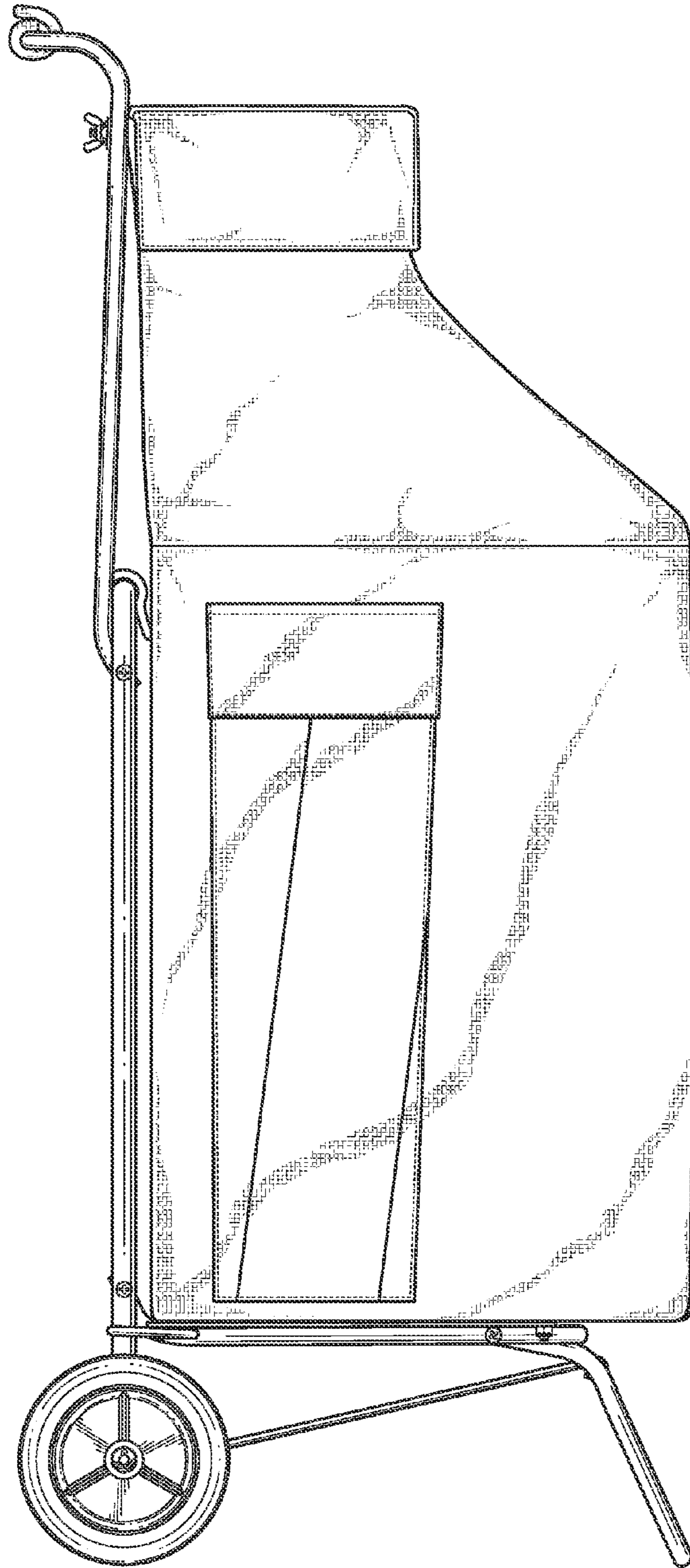


FIG. 5

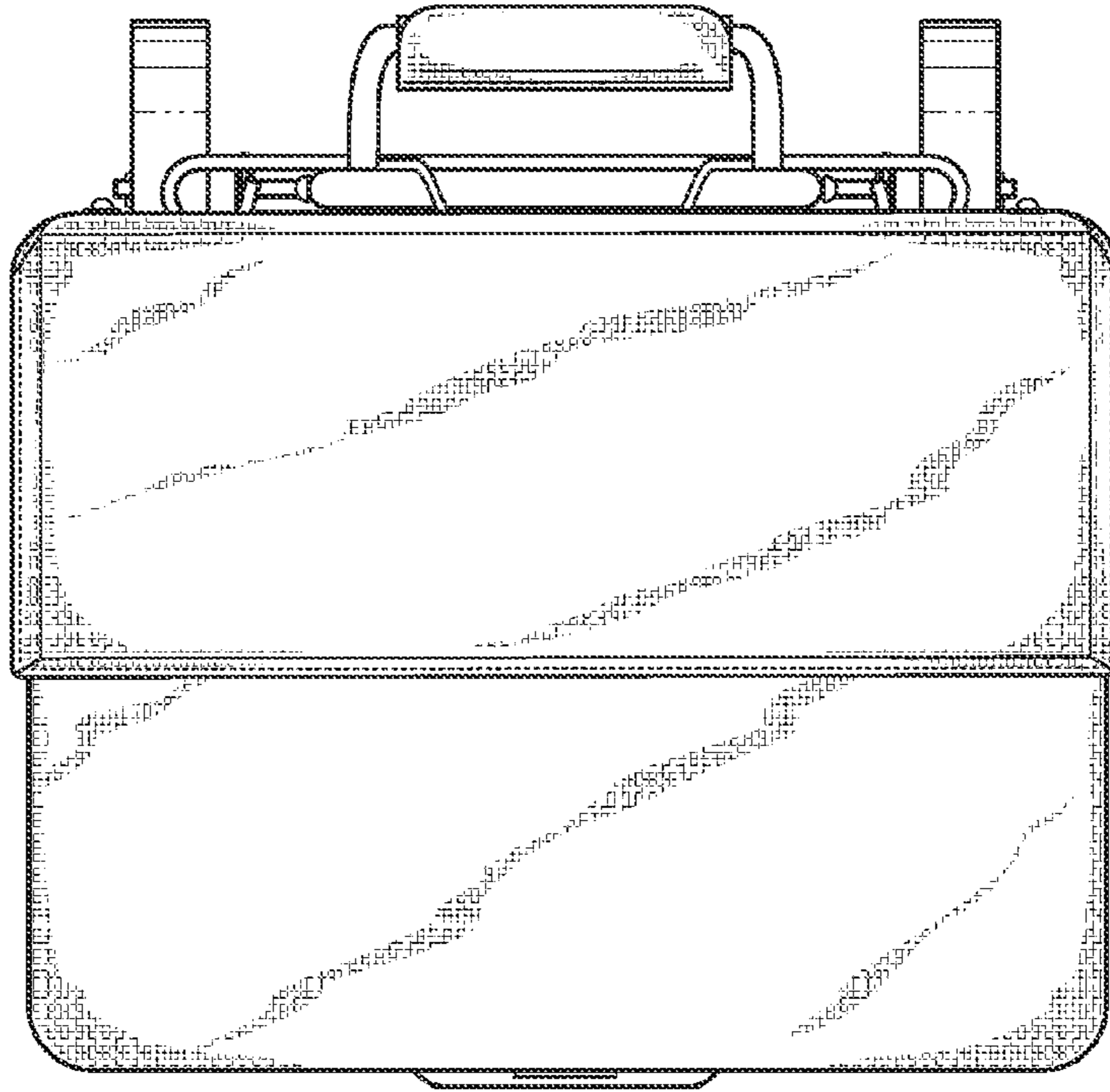


FIG. 6

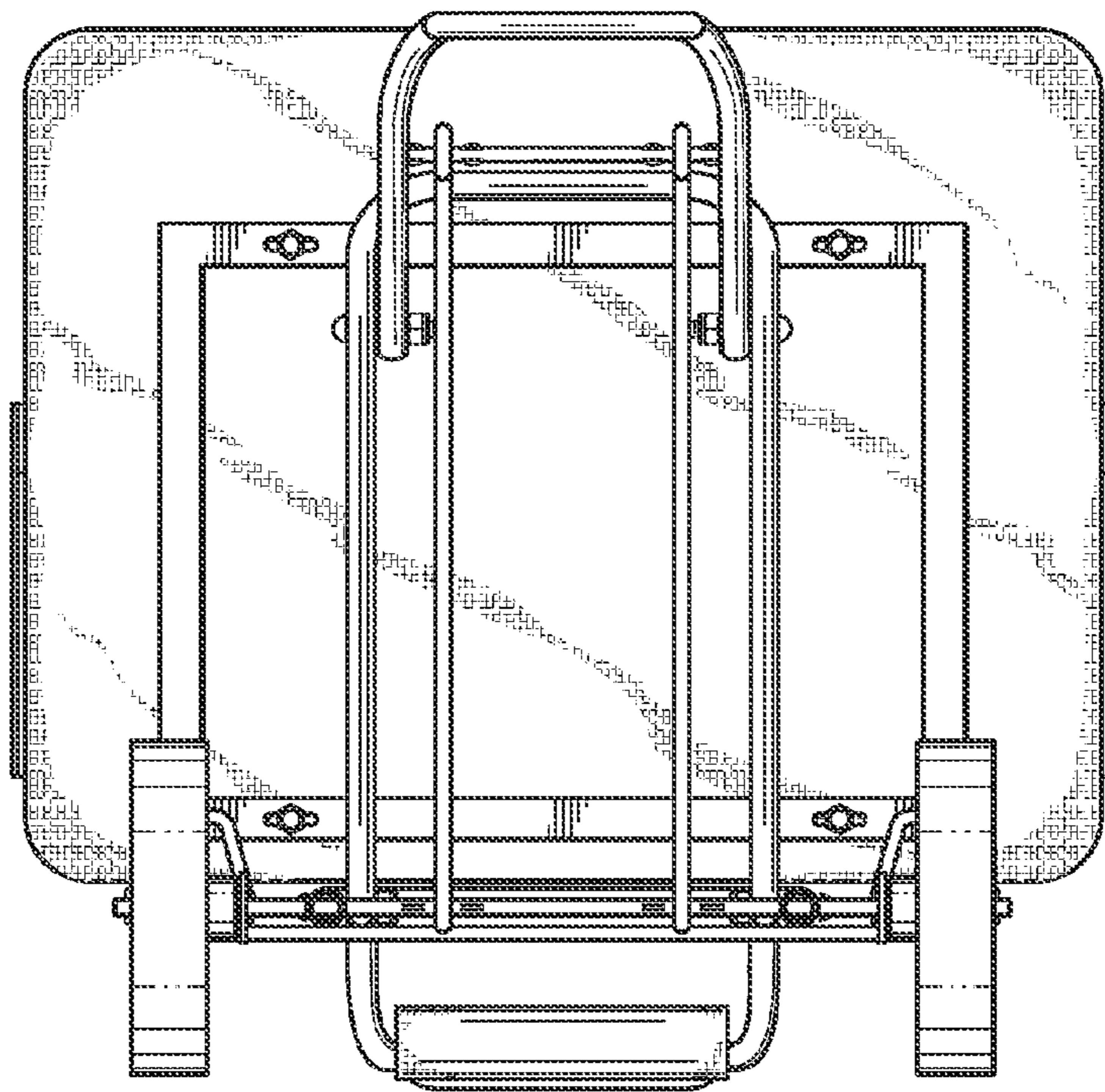


FIG. 7

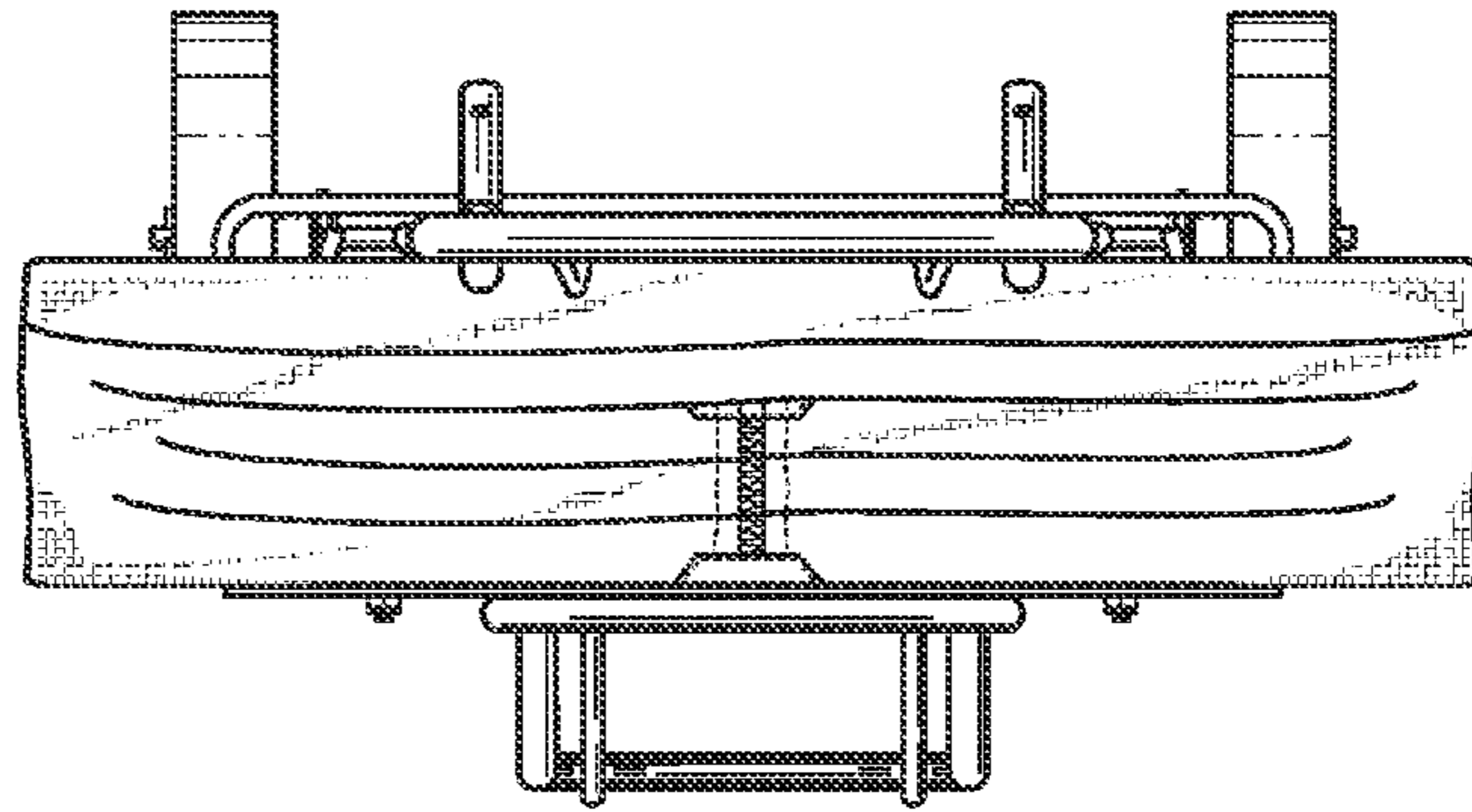


FIG. 10

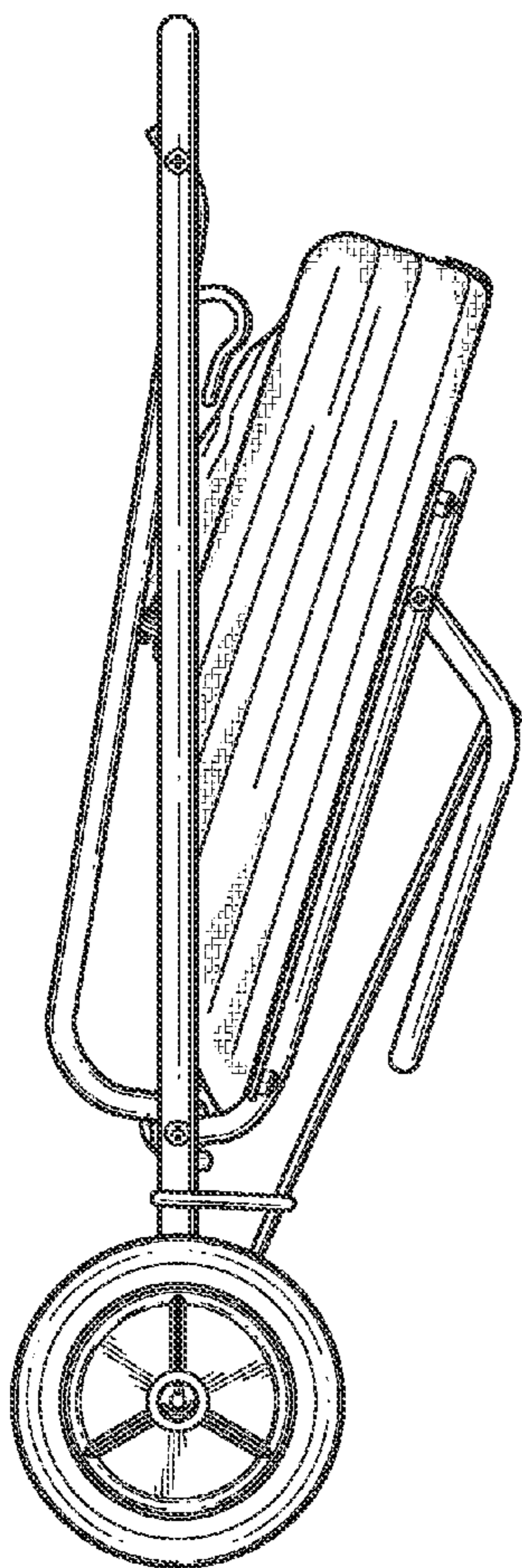


FIG. 8

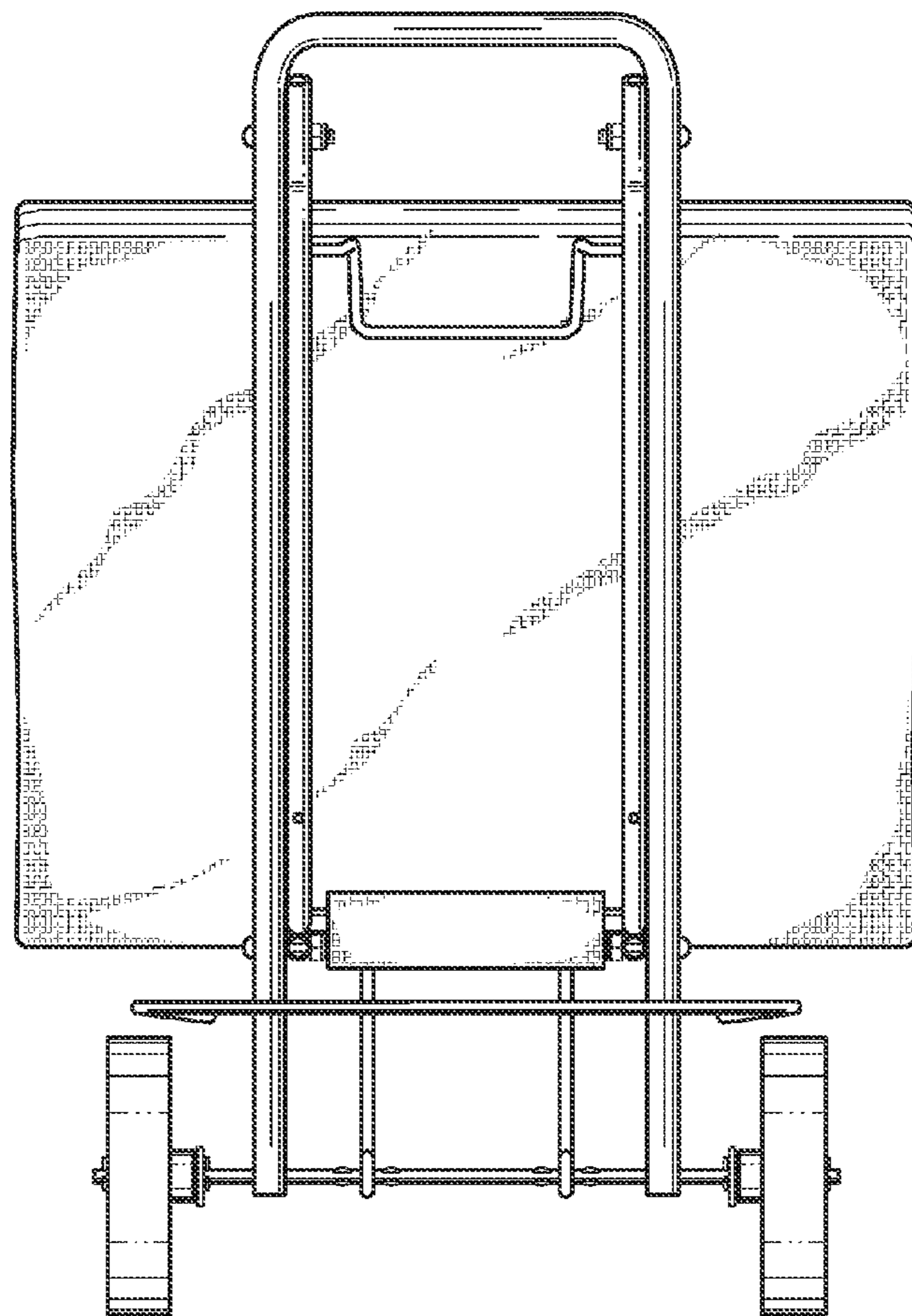


FIG. 9

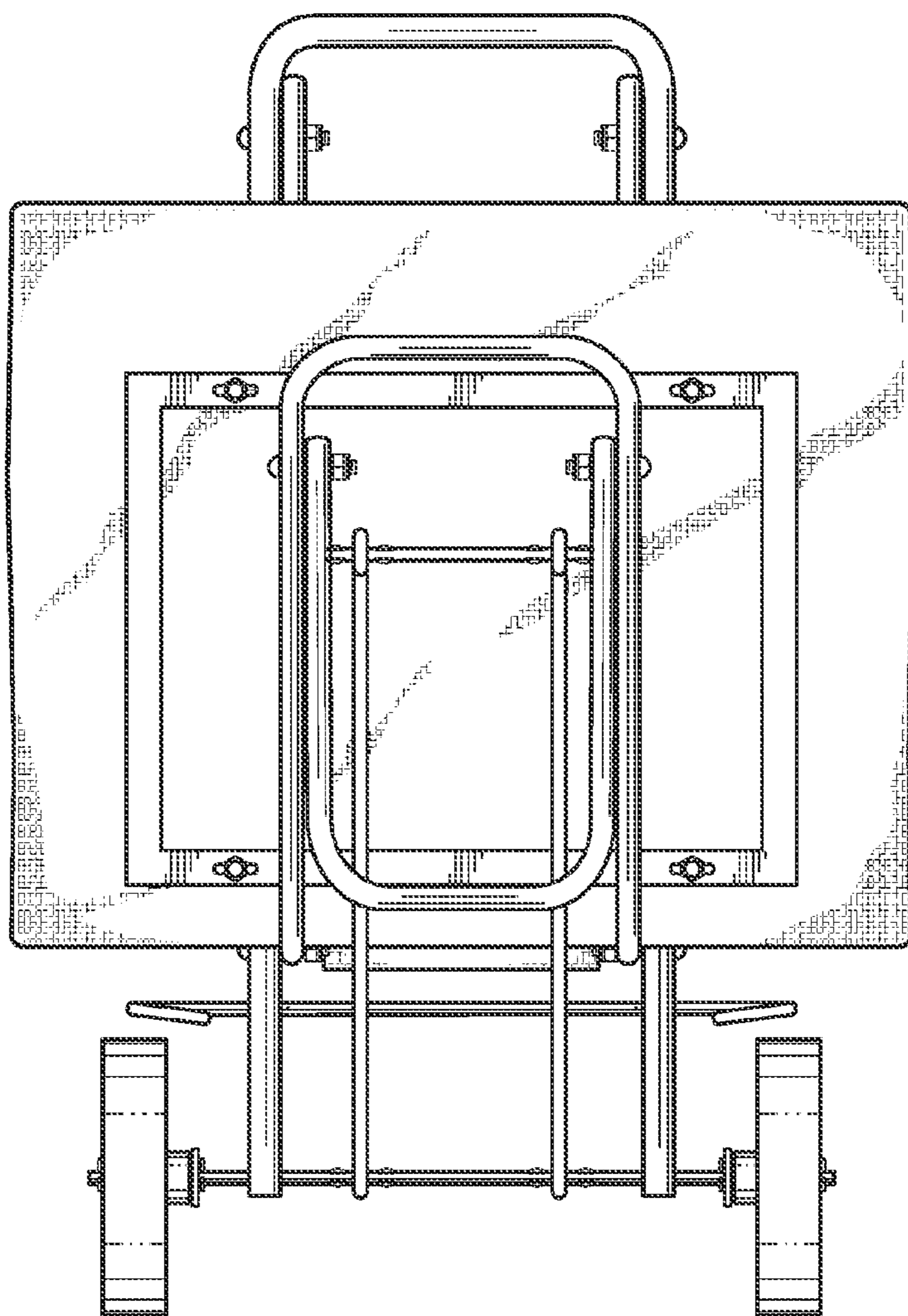


FIG. 11

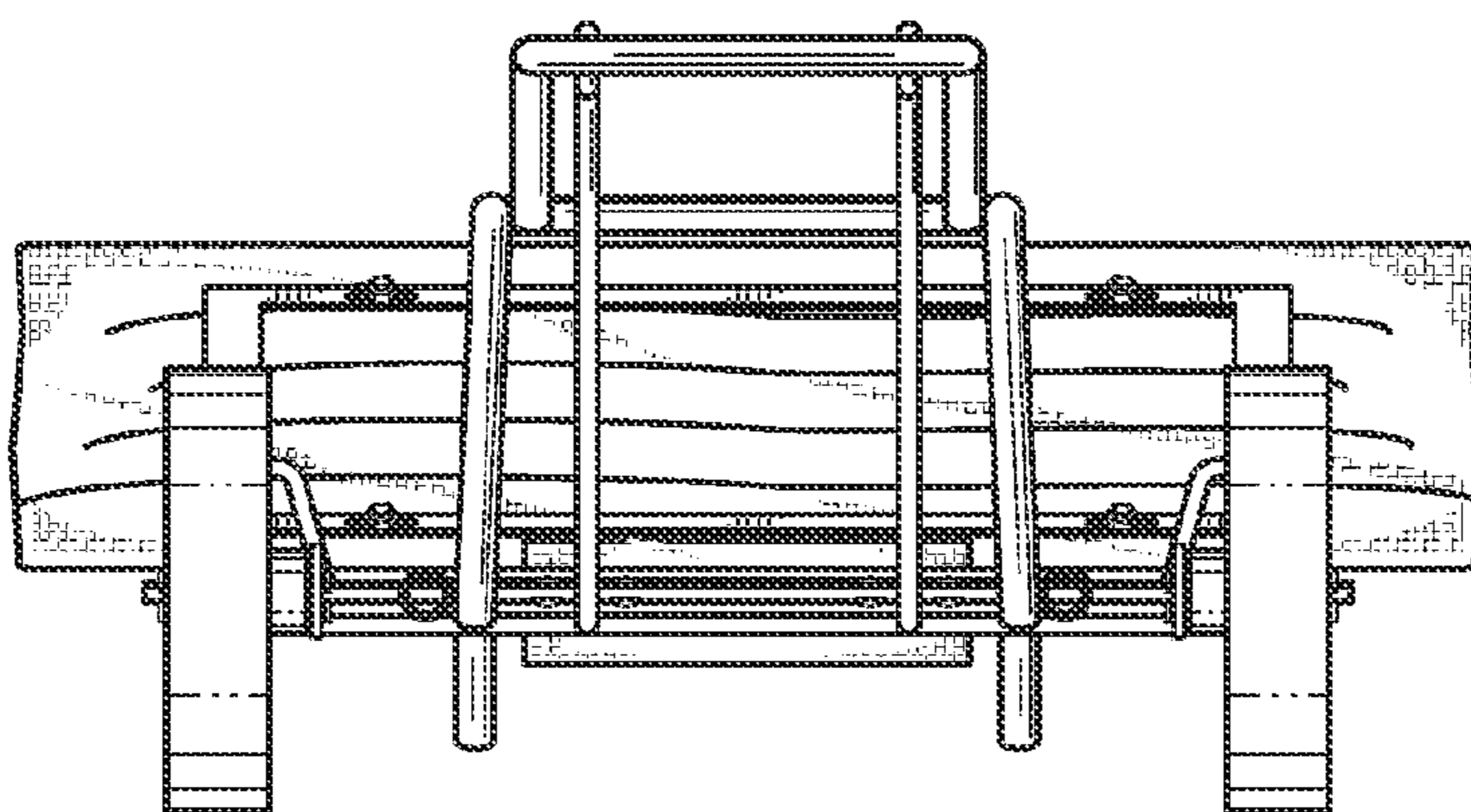


FIG. 12