

US00D642797S

(12) **United States Design Patent**
Rogers

(10) **Patent No.:** **US D642,797 S**

(45) **Date of Patent:** **** Aug. 9, 2011**

(54) **ARCHERY BAG**

(76) Inventor: **Jay Rogers**, Hudson, WI (US)

(**) Term: **14 Years**

(21) Appl. No.: **29/378,183**

(22) Filed: **Nov. 1, 2010**

(51) **LOC (9) Cl.** **03-01**

(52) **U.S. Cl.** **D3/254**

(58) **Field of Classification Search** D3/254,
D3/262; 206/315.11, 315.1, 443

See application file for complete search history.

(56) **References Cited**

U.S. PATENT DOCUMENTS

D271,162 S *	11/1983	Evans	D3/254
D389,643 S *	1/1998	Stratton	D3/254
D476,151 S *	6/2003	Peterson	D3/254
D509,956 S *	9/2005	Lin	D3/254
7,044,297 B2 *	5/2006	Terrell	206/315.11
D575,507 S *	8/2008	Lucas	D3/254

* cited by examiner

Primary Examiner — Holly Baynham

(74) *Attorney, Agent, or Firm* — Skinner and Associates

(57) **CLAIM**

The ornamental design for an archery bag, as shown and described.

DESCRIPTION

FIG. 1 is a perspective view of an embodiment of the design of this invention.

FIG. 2 is a front view thereof.

FIG. 3 is a back view thereof.

FIG. 4 is a side view thereof, the opposite side being a mirror view thereof.

FIG. 5 is a top view thereof.

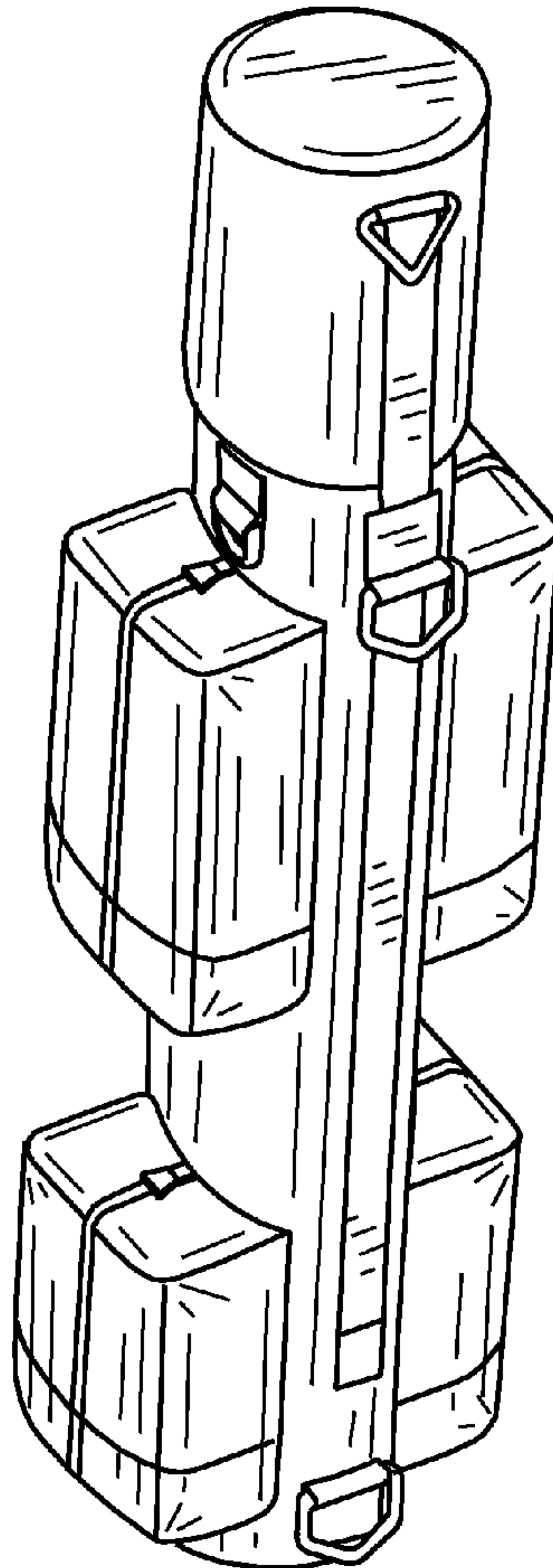
FIG. 6 is a bottom view thereof.

FIG. 7 is a front perspective view thereof, showing the bag with legs extended.

FIG. 8 is a rear perspective of the bag with legs extended; and, FIG. 9 is a side view of the bag with legs extended.

The design is for an archery bag, with rigid and soft portions, which is used to hold, organize and transport arrows, bows and archery accessories.

1 Claim, 7 Drawing Sheets



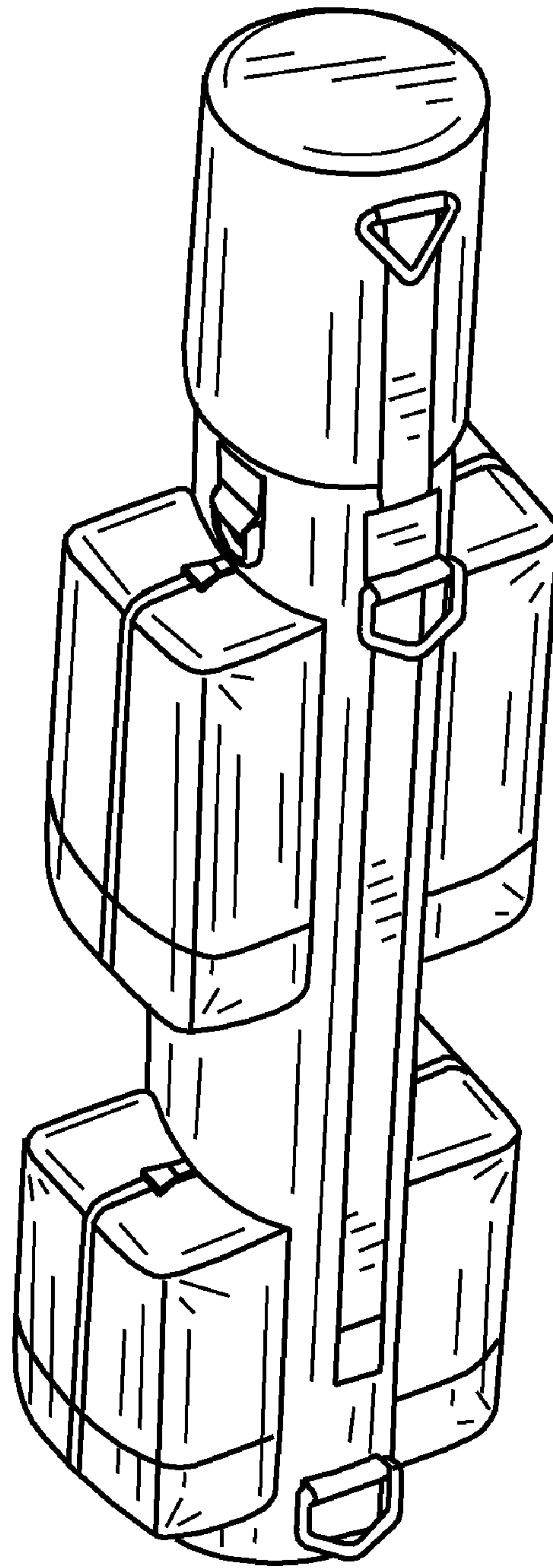
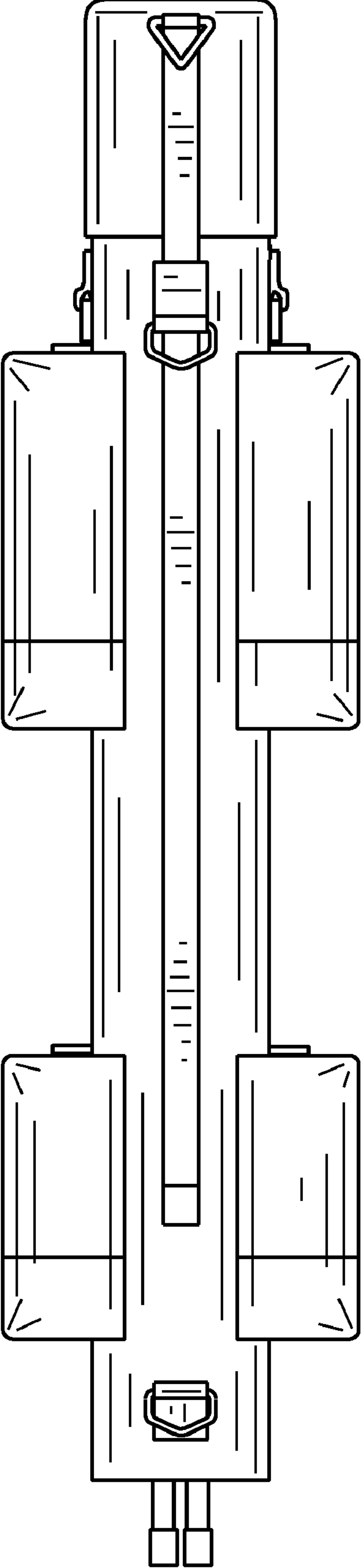


FIG. 1

FIG. 2



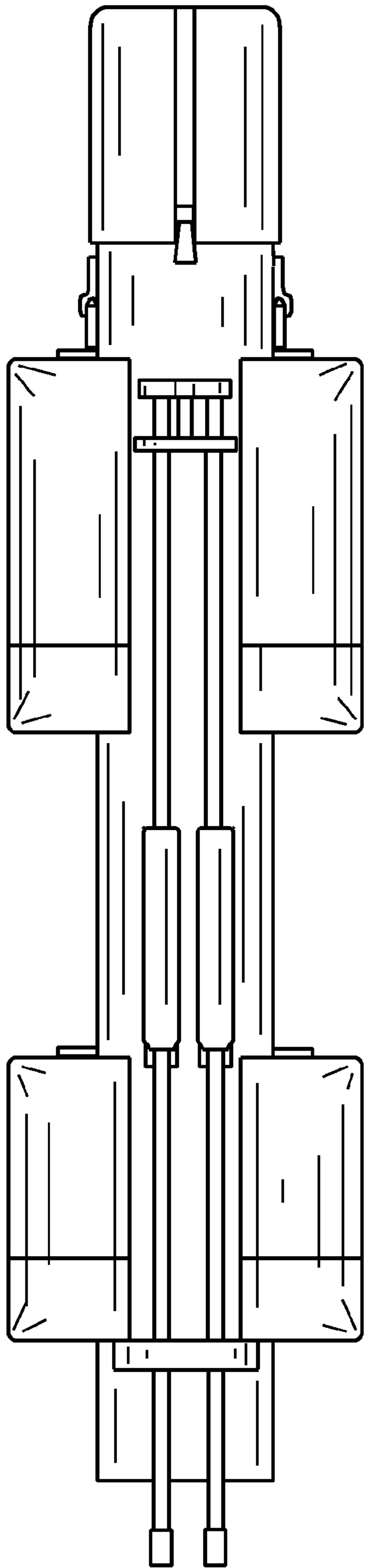


FIG. 3

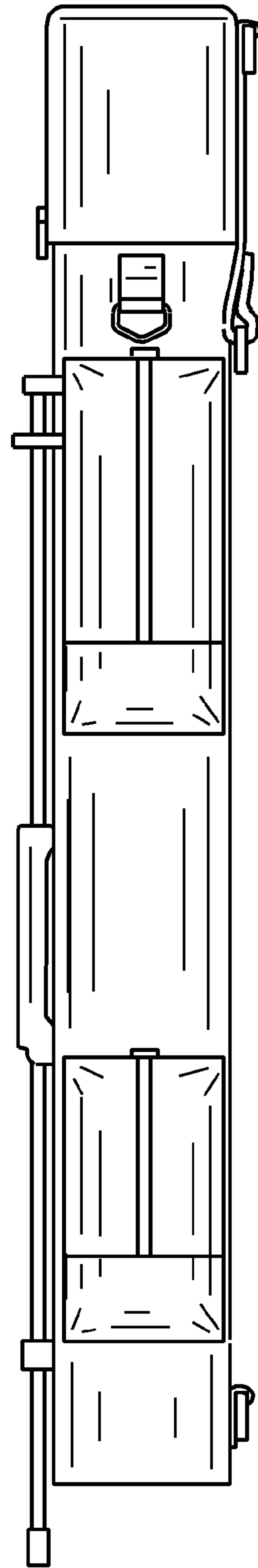


FIG. 4

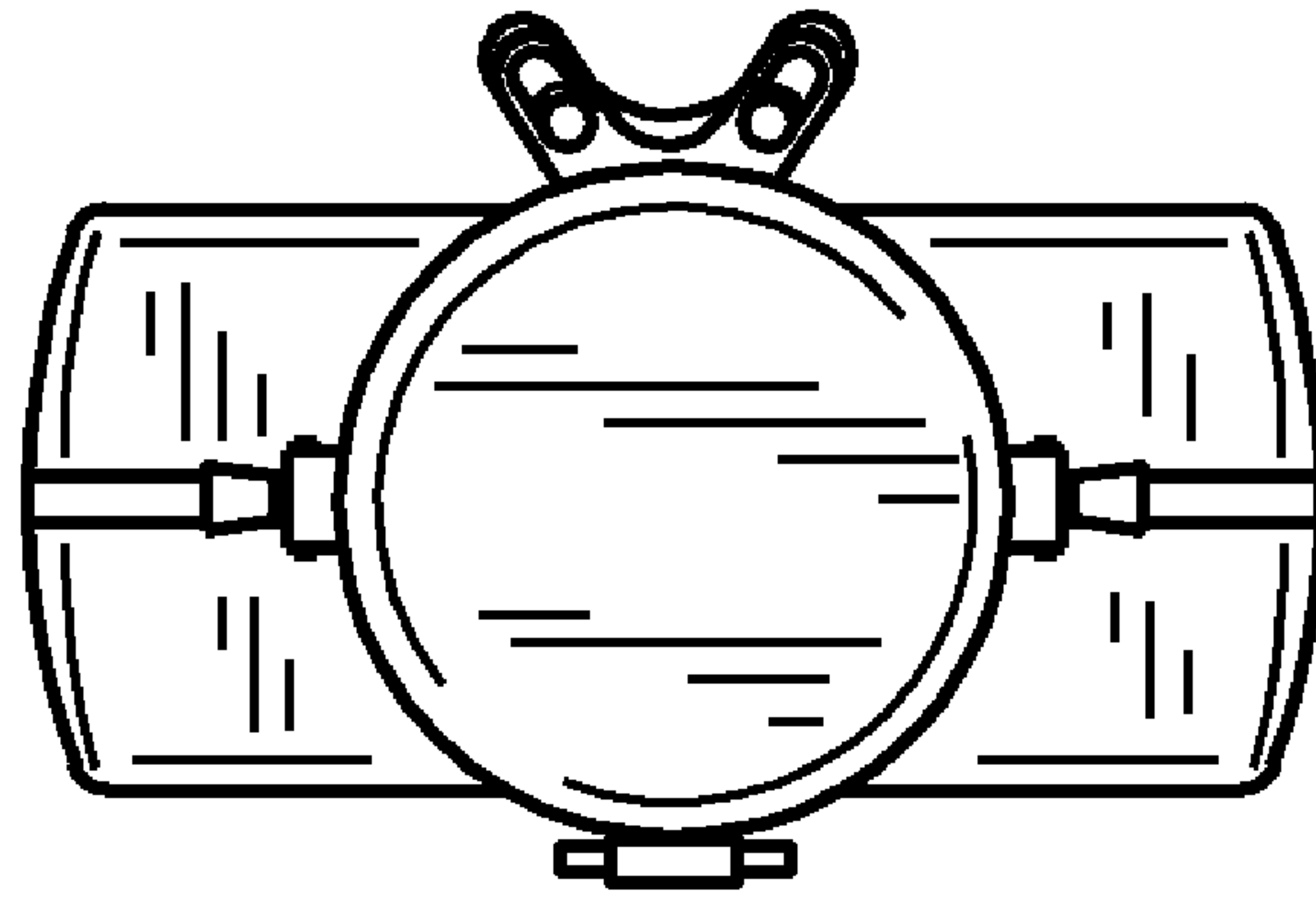


FIG. 5

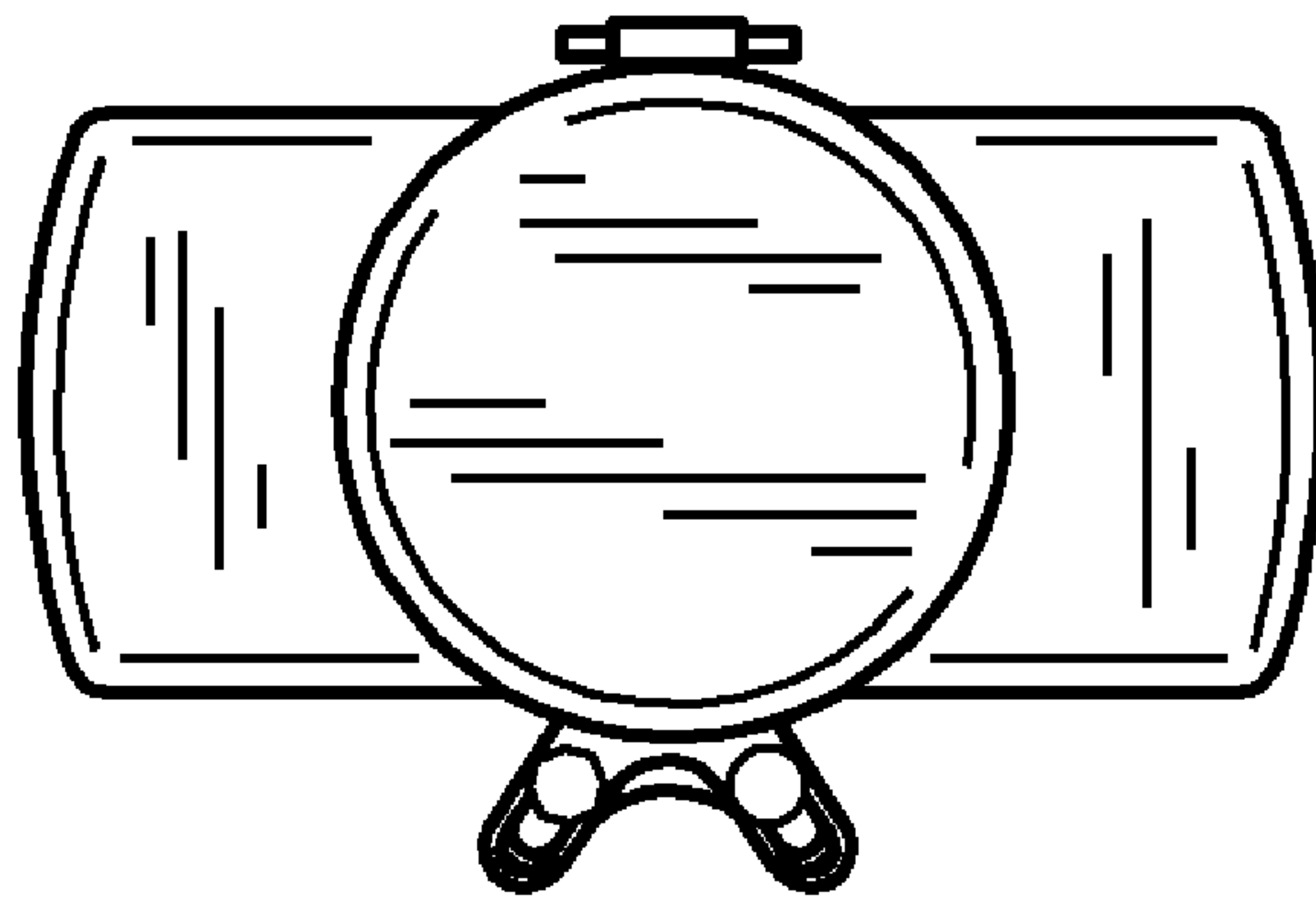


FIG. 6

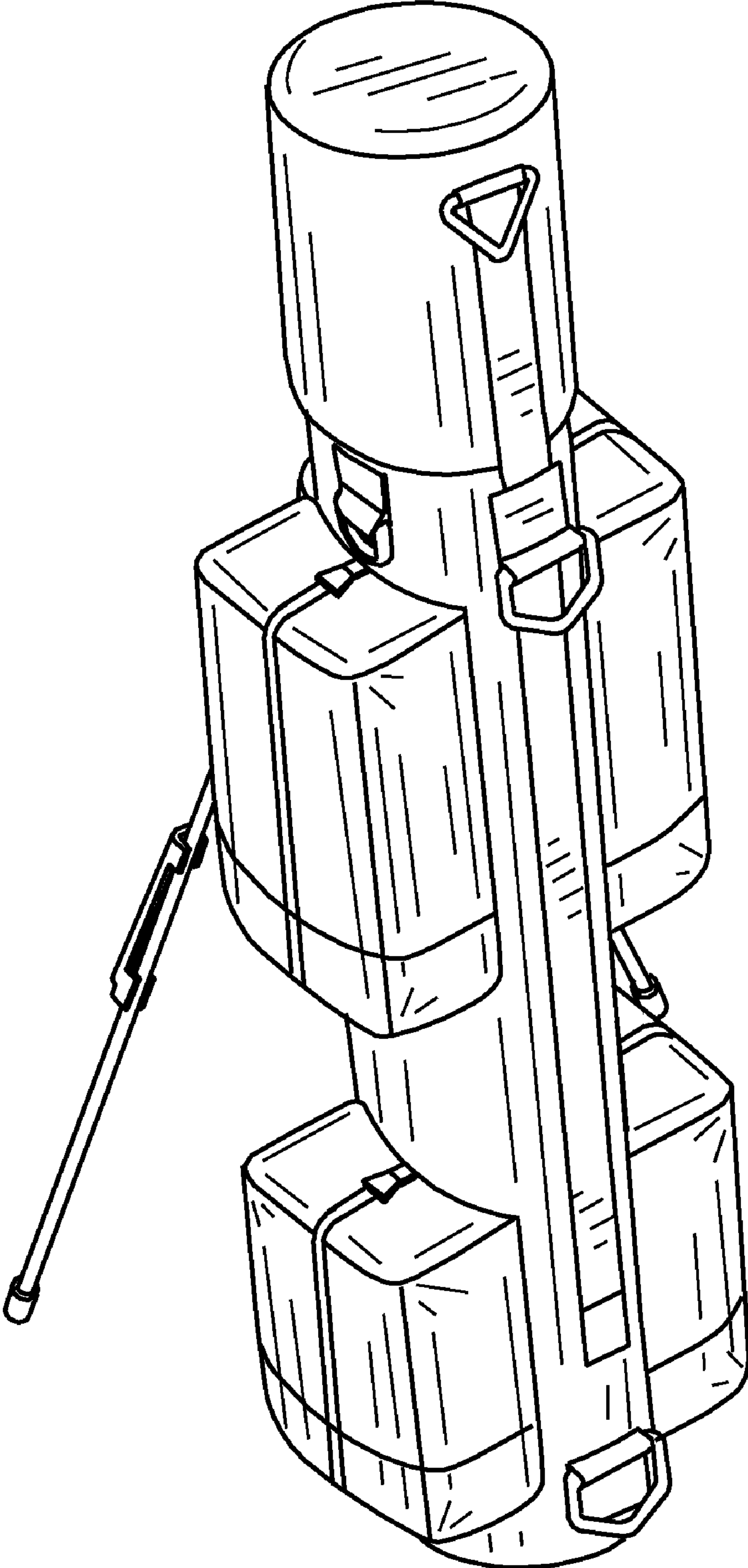


FIG. 7

FIG. 8

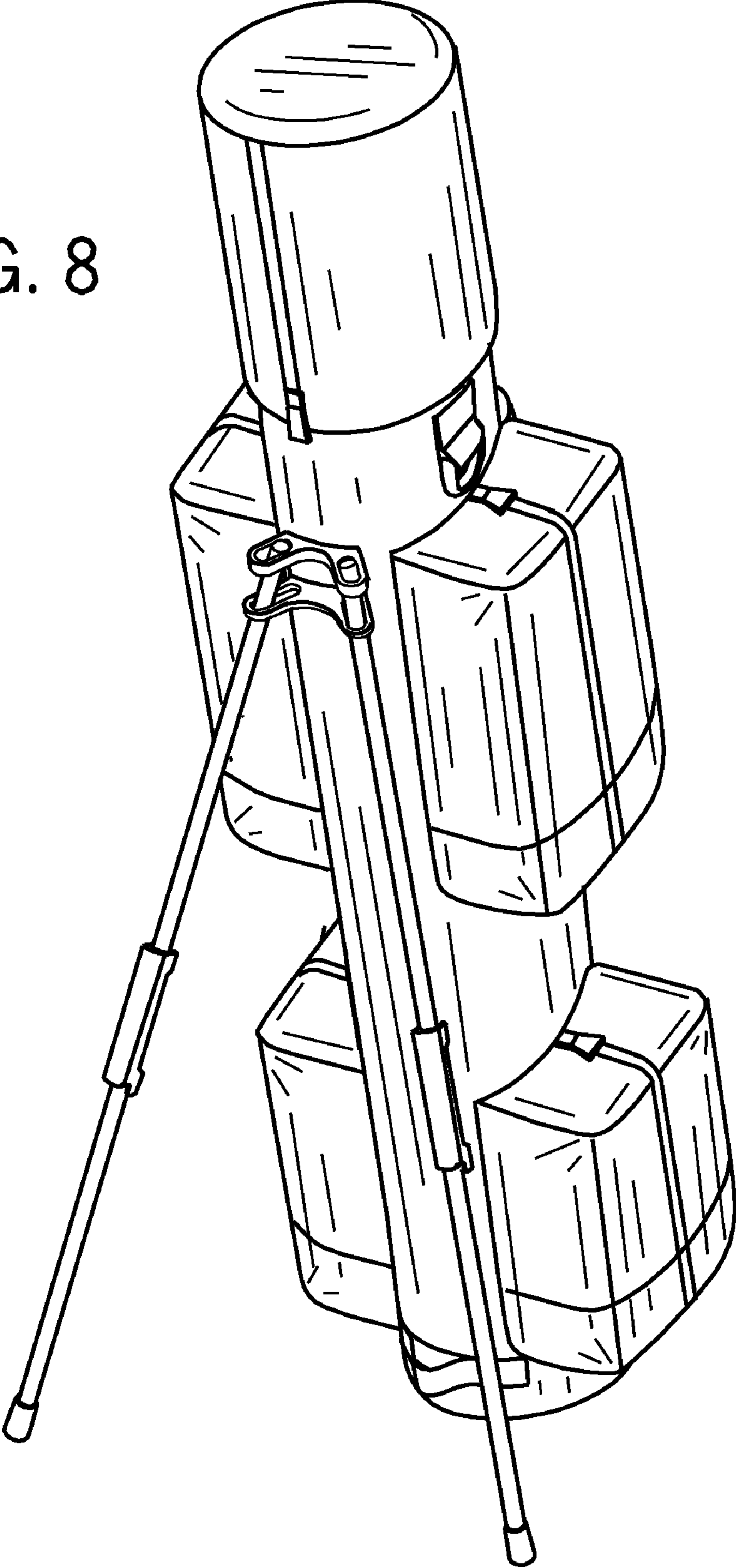


FIG. 9

