



US00D642794S

(12) **United States Design Patent**
Gerson et al.

(10) **Patent No.:** **US D642,794 S**

(45) **Date of Patent:** **** Aug. 9, 2011**

(54) **PORTABLE COSMETIC CASE**

7,942,293 B2 * 5/2011 Lawrence et al. 224/218
* cited by examiner

(76) Inventors: **Scott Gerson**, Maplewood, NJ (US);
Daryl Briefer, Maplewood, NJ (US)

Primary Examiner — Catheri Oliver
(74) *Attorney, Agent, or Firm* — Gottlieb, Rackman &
Reisman, PC

(**) Term: **14 Years**

(57) **CLAIM**

(21) Appl. No.: **29/382,908**

The ornamental design for a portable cosmetic case, as shown
and described.

(22) Filed: **Jan. 10, 2011**

DESCRIPTION

(51) **LOC (9) Cl.** **03-01**

(52) **U.S. Cl.** **D3/226**

(58) **Field of Classification Search** D3/226,
D3/215, 224, 248-249, 253, 299; 224/219,
224/221-222, 267, 218, 197, 272; 248/288.31,
248/288.51, 229.12, 230.8, 231.71, 558,
248/231.41

FIG. 1 is a bottom, front and right side perspective view of our
new design wherein the portable cosmetic case is in a closed
condition;

See application file for complete search history.

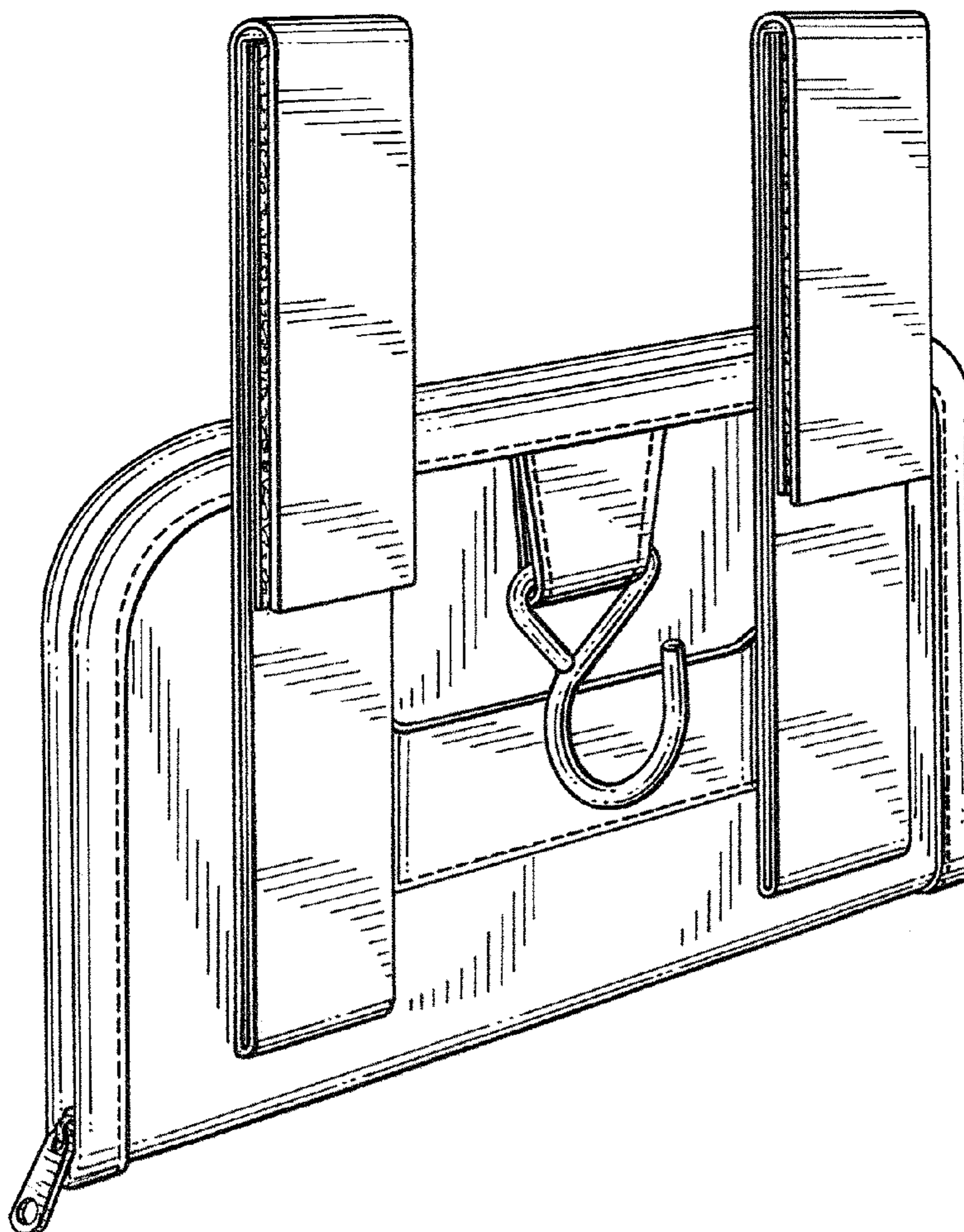
FIG. 2 is a bottom plan view thereof;
FIG. 3 is a top plan view thereof;
FIG. 4 is a right side elevational view thereof;
FIG. 5 is a left side elevational view thereof;
FIG. 6 is a front elevational view thereof;
FIG. 7 is a rear elevational view thereof; and,
FIG. 8 is an interior, front and right side perspective view of
our new design wherein the portable cosmetic case is in an
open condition.

(56) **References Cited**

U.S. PATENT DOCUMENTS

D482,162 S * 11/2003 Bostroem D3/249
D596,842 S * 7/2009 Cooper D3/205

1 Claim, 4 Drawing Sheets



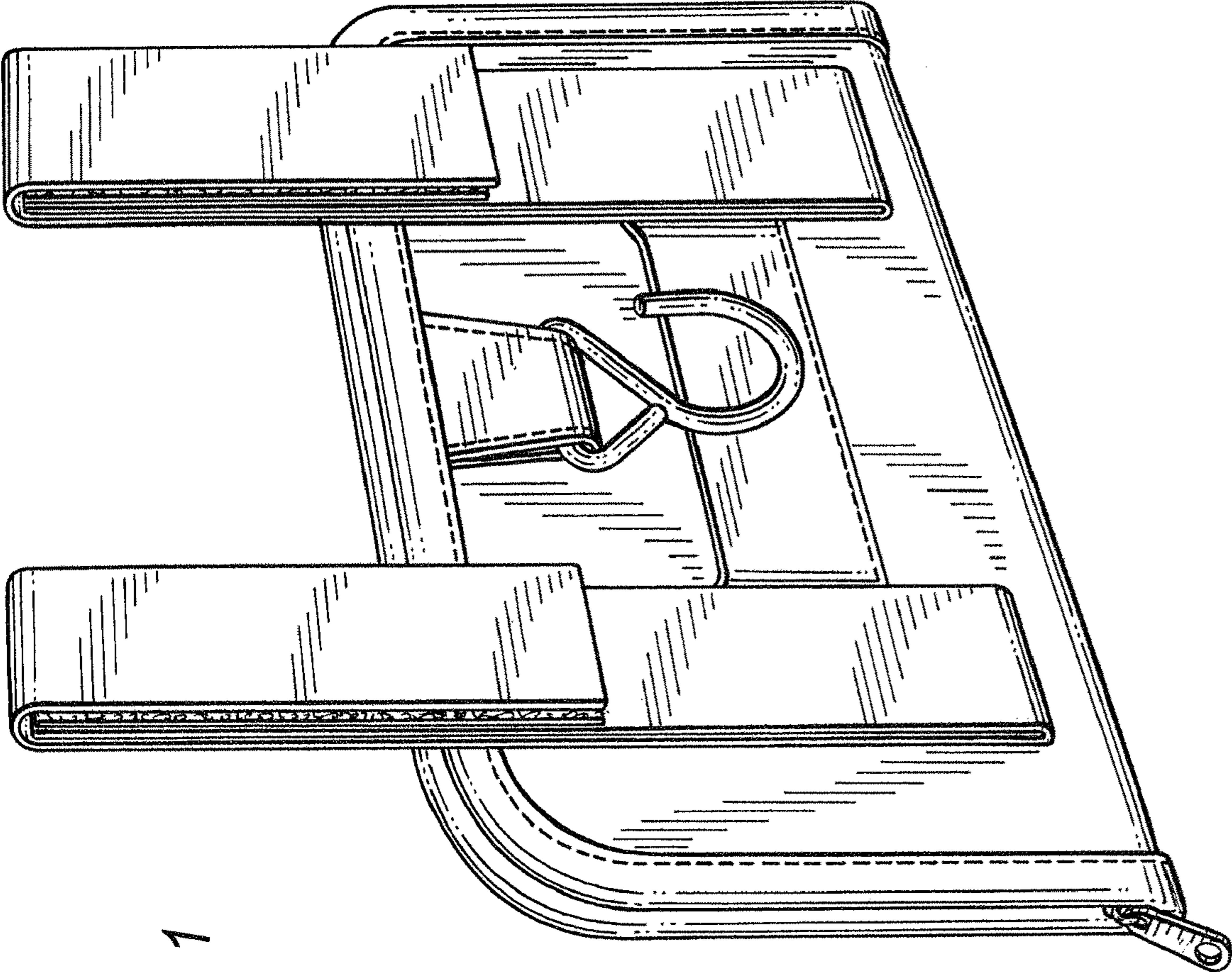


FIG. 1

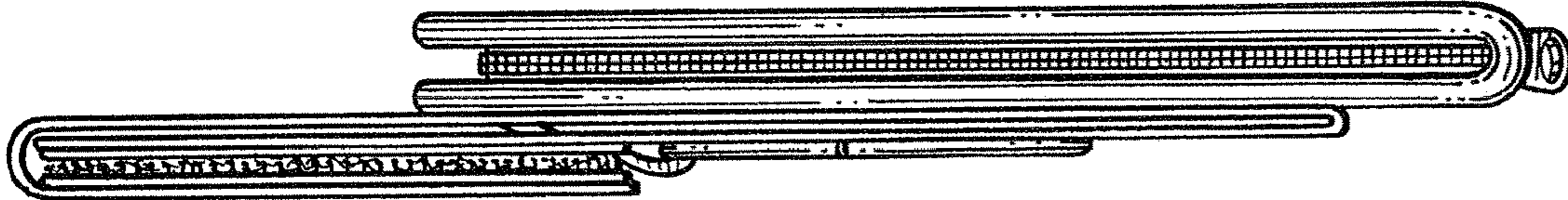


FIG. 5

FIG. 2

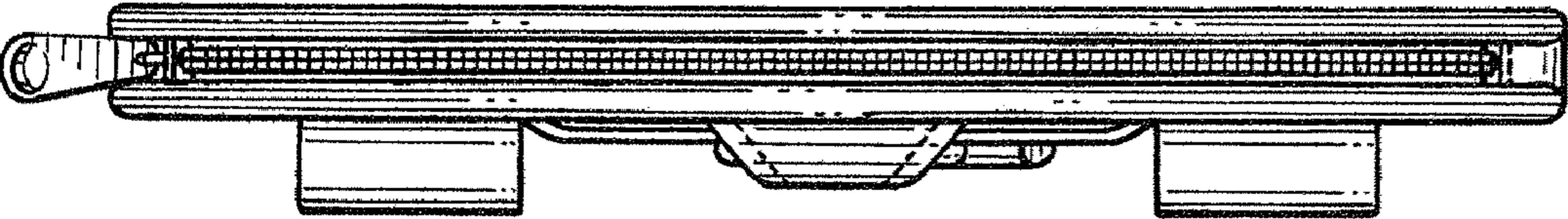
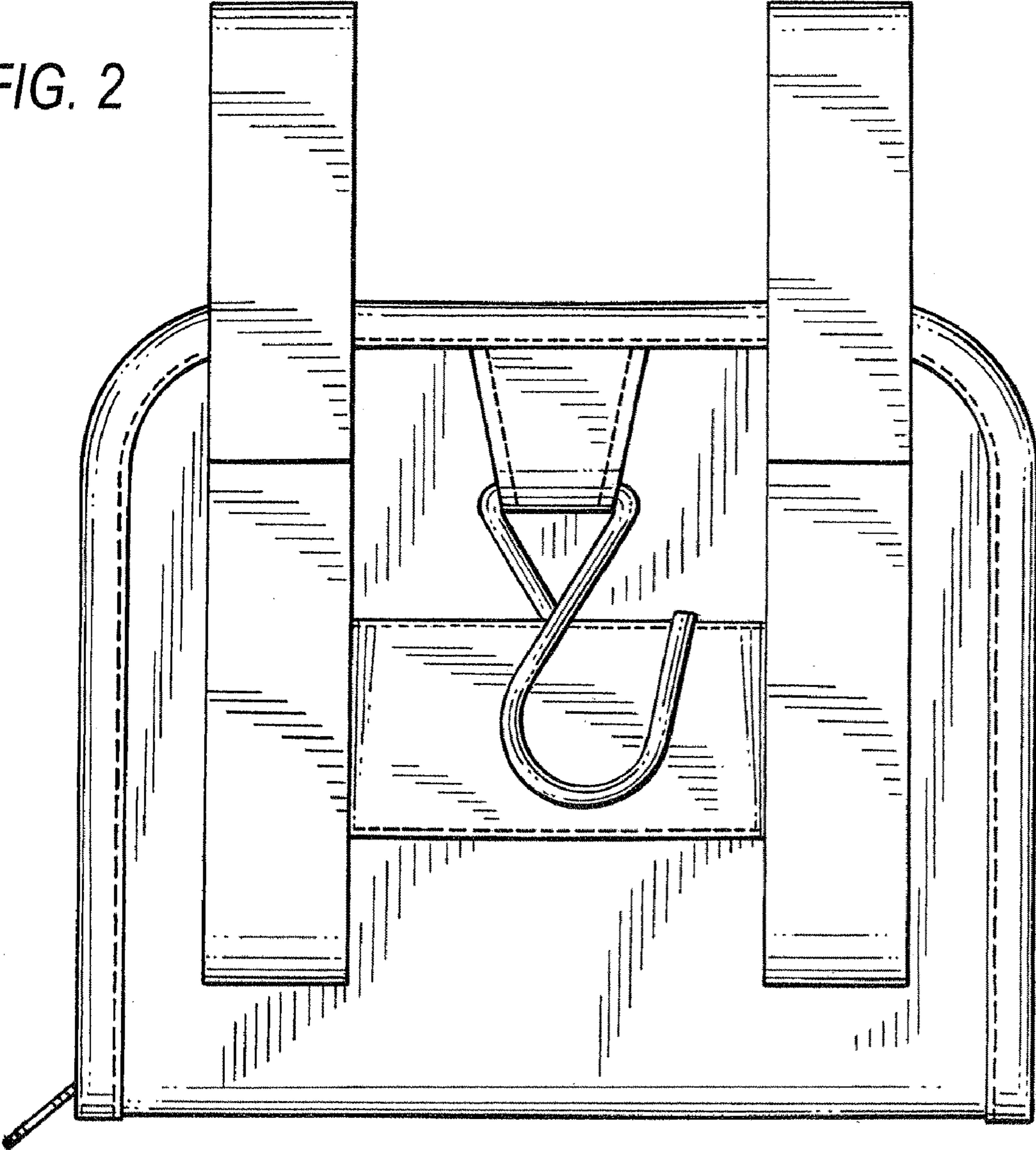


FIG. 6

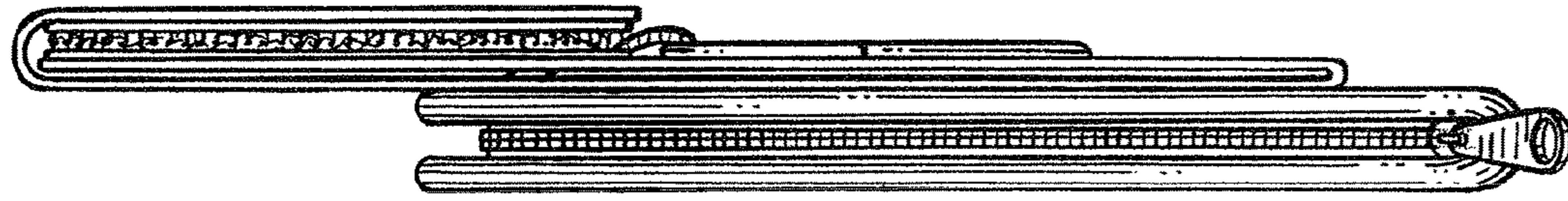


FIG. 4

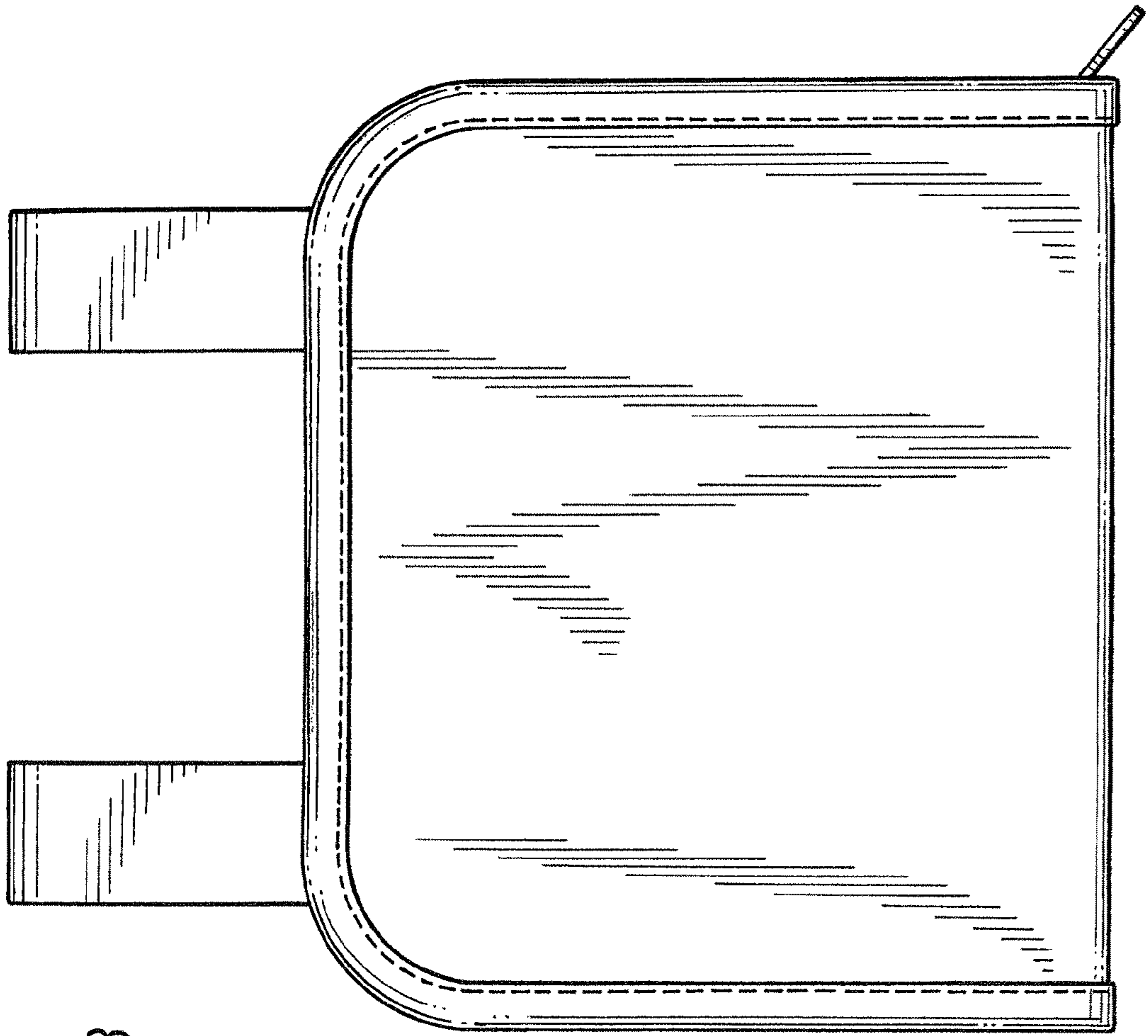


FIG. 3

FIG. 7

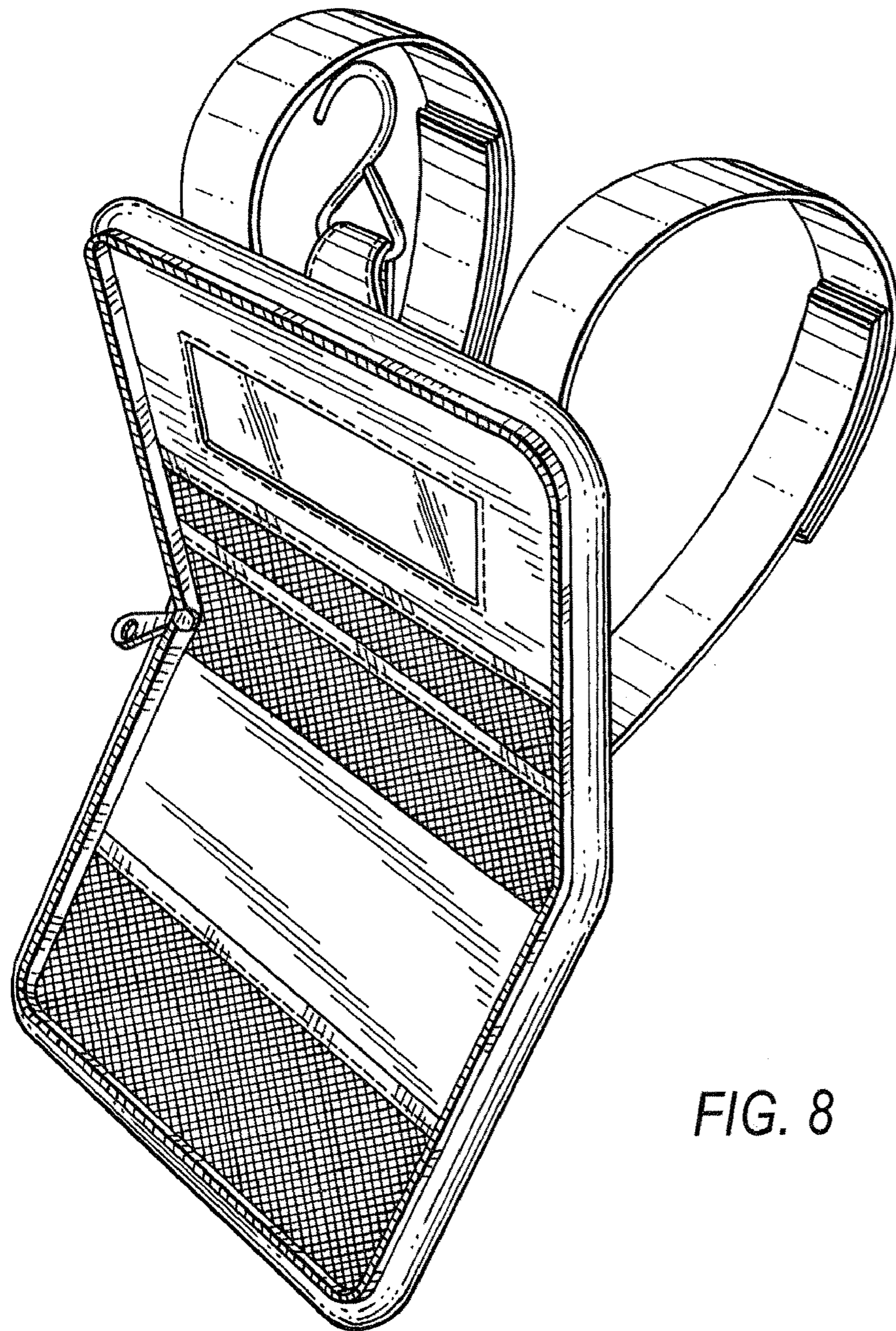
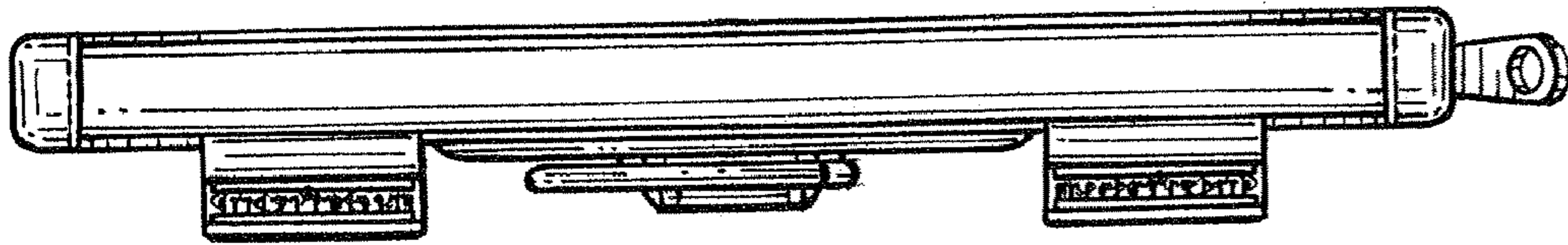


FIG. 8