



US00D642793S

(12) **United States Design Patent**
Rogers et al.

(10) **Patent No.:** **US D642,793 S**

(45) **Date of Patent:** **** Aug. 9, 2011**

(54) **SELF-GRIPPING EXPANDABLE
AMMUNITION MAGAZINE HOLSTER**

Primary Examiner — Catheri Oliver

(74) *Attorney, Agent, or Firm* — Arthur G. Yeager

(76) Inventors: **William H. Rogers**, St. Augustine, FL
(US); **Matthew E. McKendrick**,
Jacksonville, FL (US)

(57) **CLAIM**

The ornamental design for a self-gripping expandable ammunition magazine holster, as shown and described.

(**) **Term:** **14 Years**

(21) **Appl. No.:** **29/379,293**

(22) **Filed:** **Nov. 17, 2010**

(51) **LOC (9) Cl.** **03-01**

(52) **U.S. Cl.** **D3/222**

(58) **Field of Classification Search** D3/221–226,
D3/262, 215, 218, 219, 230; 224/911, 914,
224/672, 674, 931, 239, 236–238, 245, 240–243,
224/192–193, 198

See application file for complete search history.

DESCRIPTION

FIG. 1 is a top, front, right perspective view of a self-gripping expandable ammunition magazine holster;
FIG. 2 is a bottom, front, right perspective view thereof;
FIG. 3 is a front elevational view thereof;
FIG. 4 is a top plan view thereof;
FIG. 5 is a bottom plan view thereof;
FIG. 6 is a left side elevational view thereof, the right side being a mirror image thereof;
FIG. 7 is a rear elevational view thereof;
FIG. 8 is a top, rear, left elevational view thereof;
FIG. 9 is a view similar to FIG. 1 and showing the side walls in one of its expanded positions, it being understood that the bottom wall is expandable to a much lesser extent; and,
FIG. 10 is a right side elevational view of FIG. 9.

The portions of the self-gripping expandable ammunition magazine holster shown in broken lines in FIGS. 1-10 form no part of the claimed design.

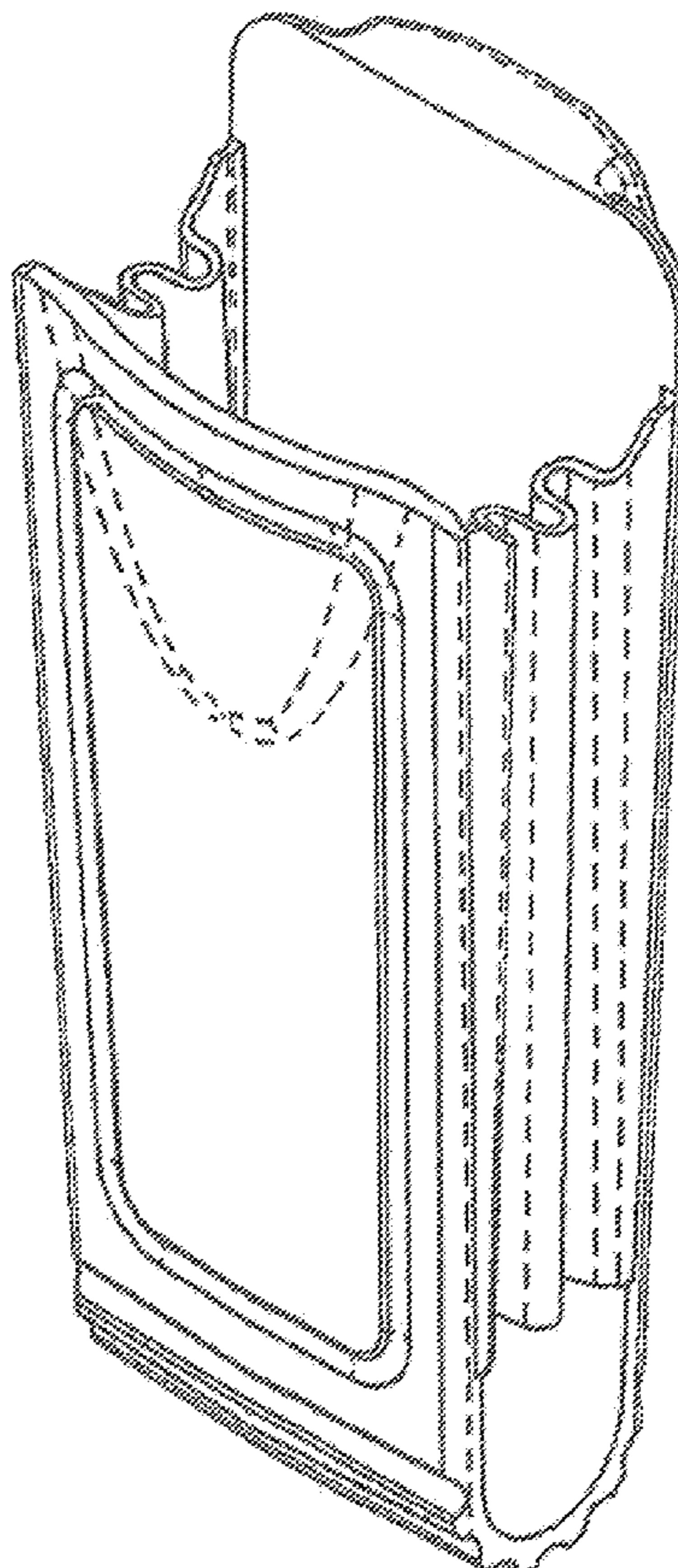
(56) **References Cited**

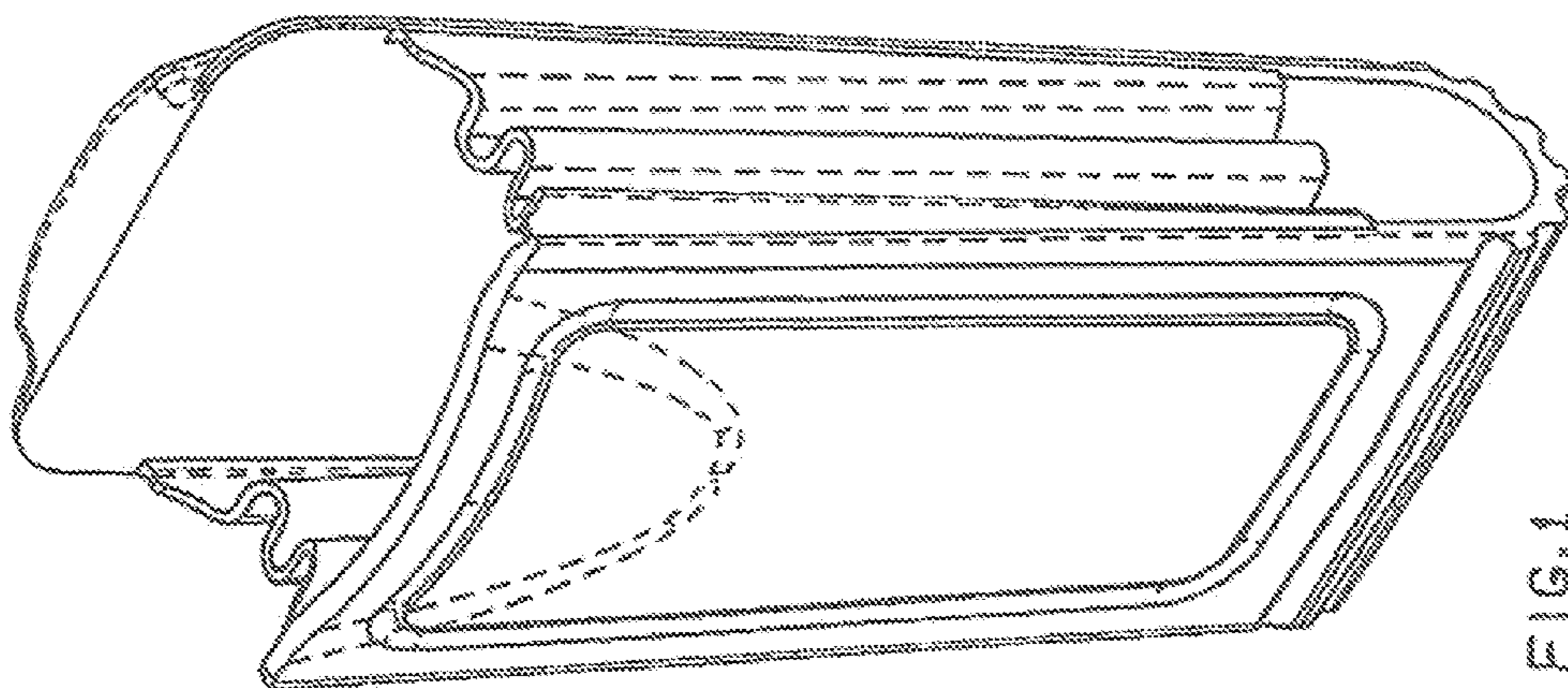
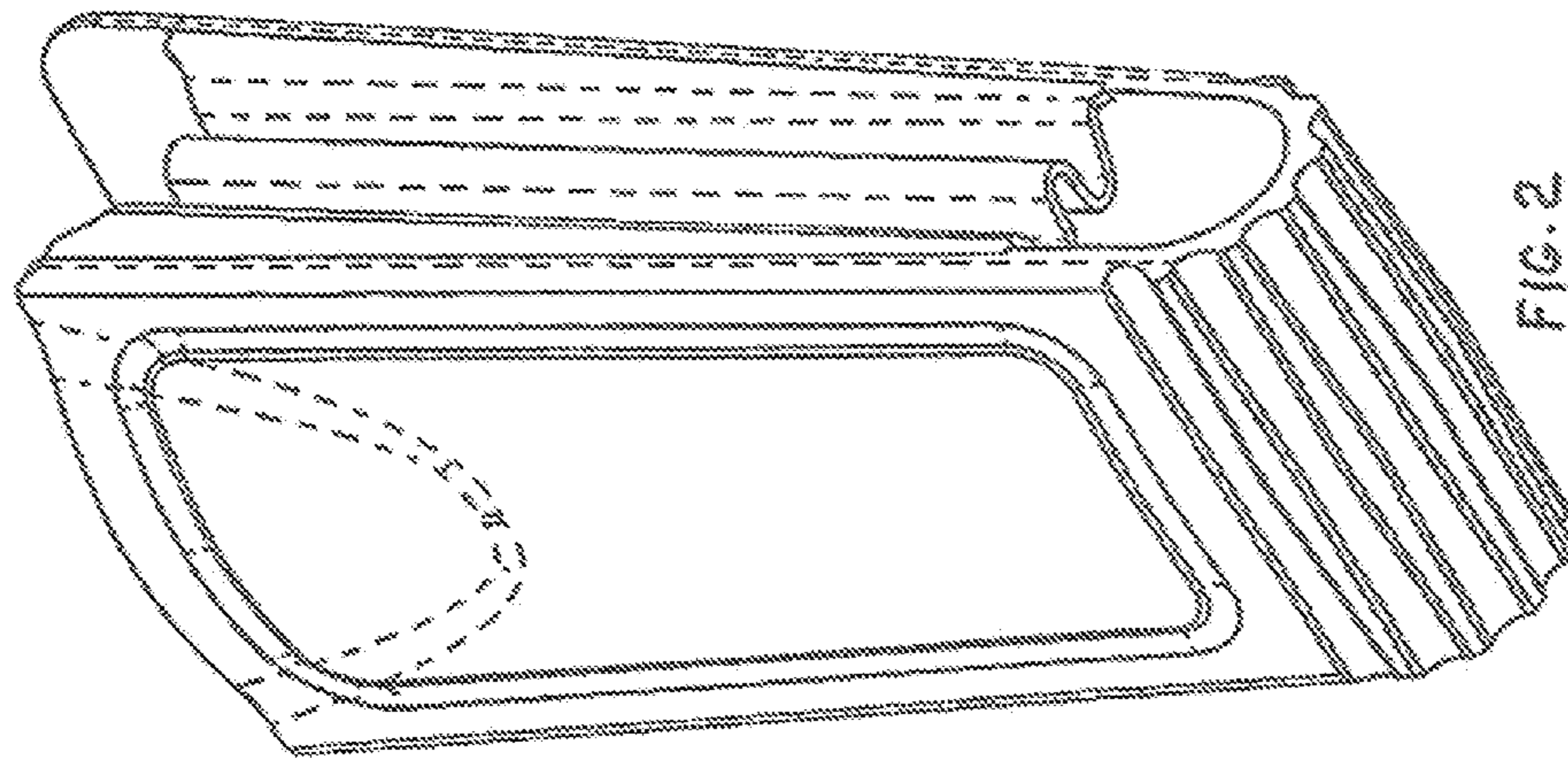
U.S. PATENT DOCUMENTS

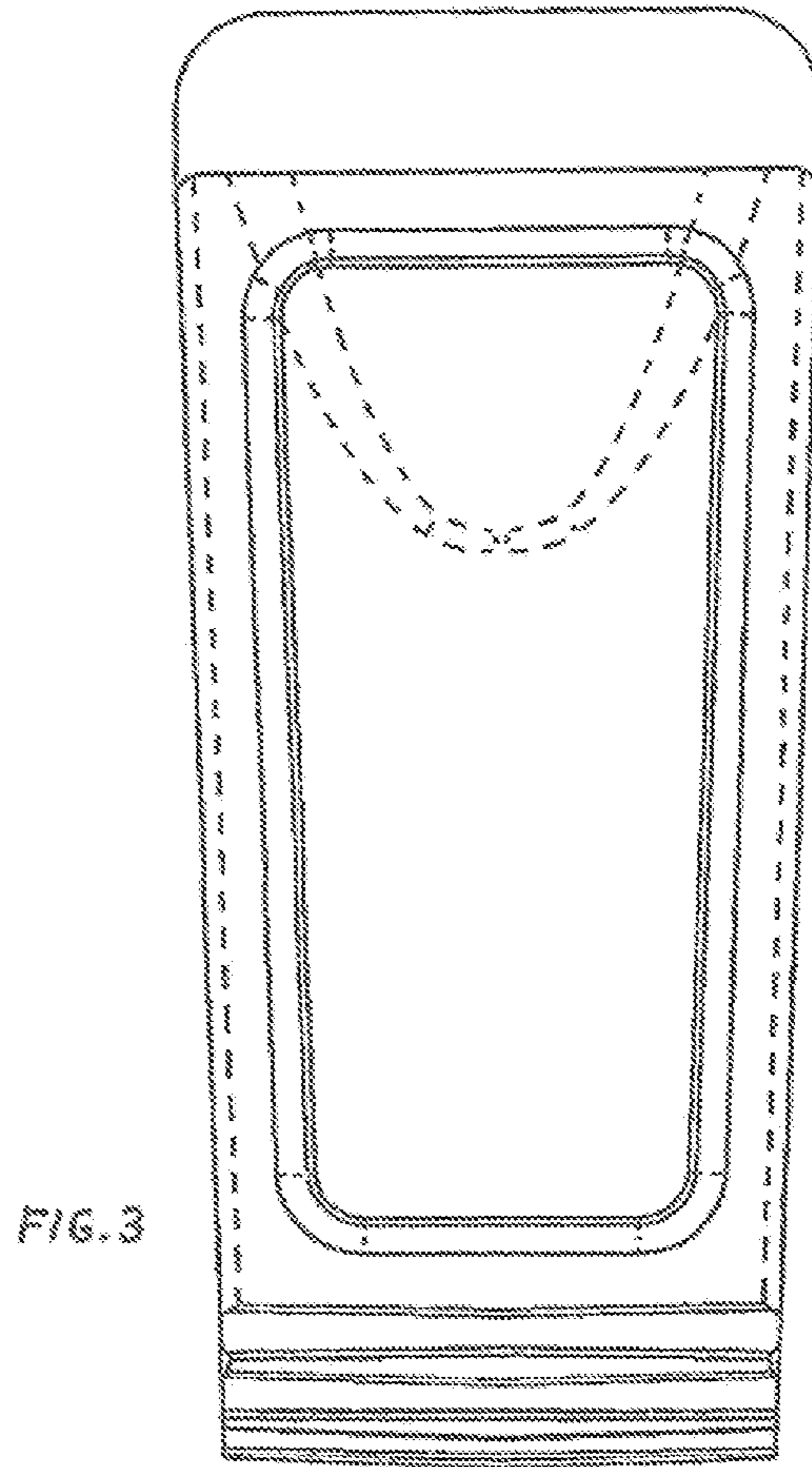
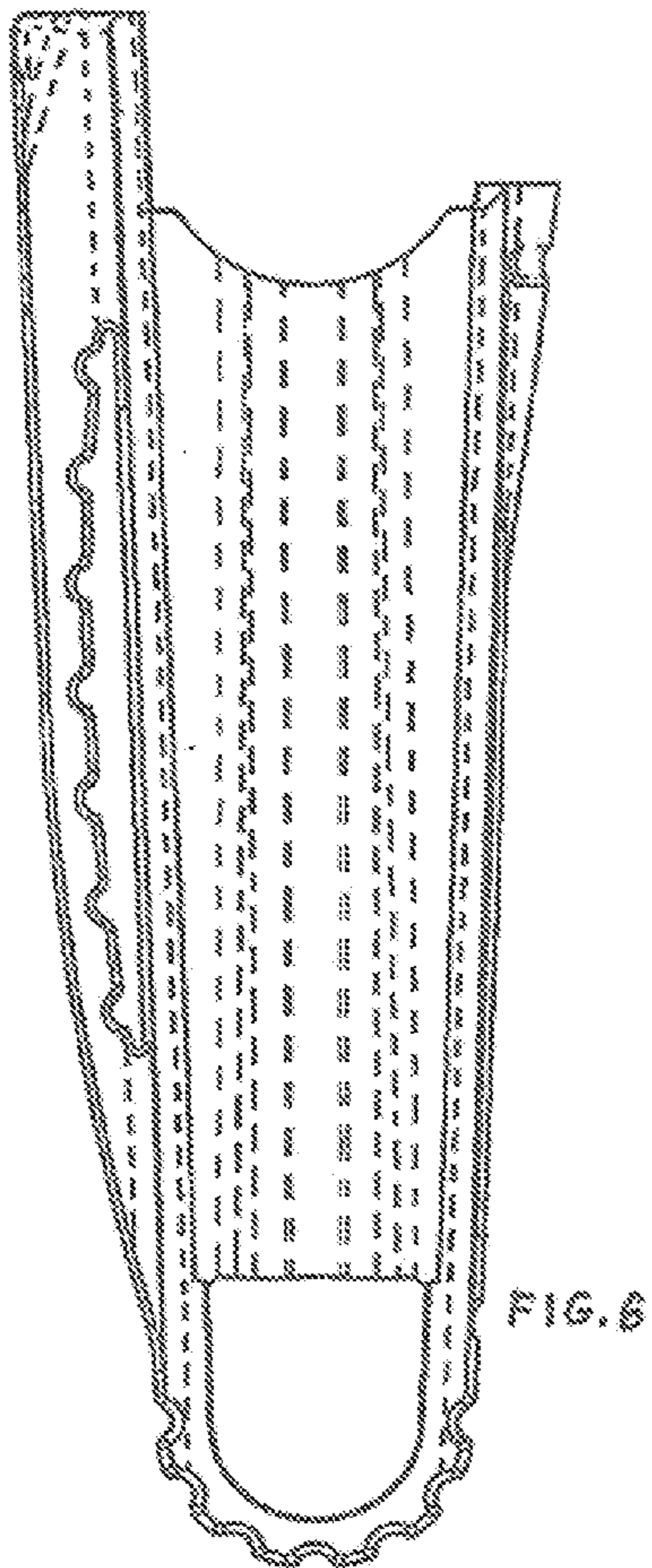
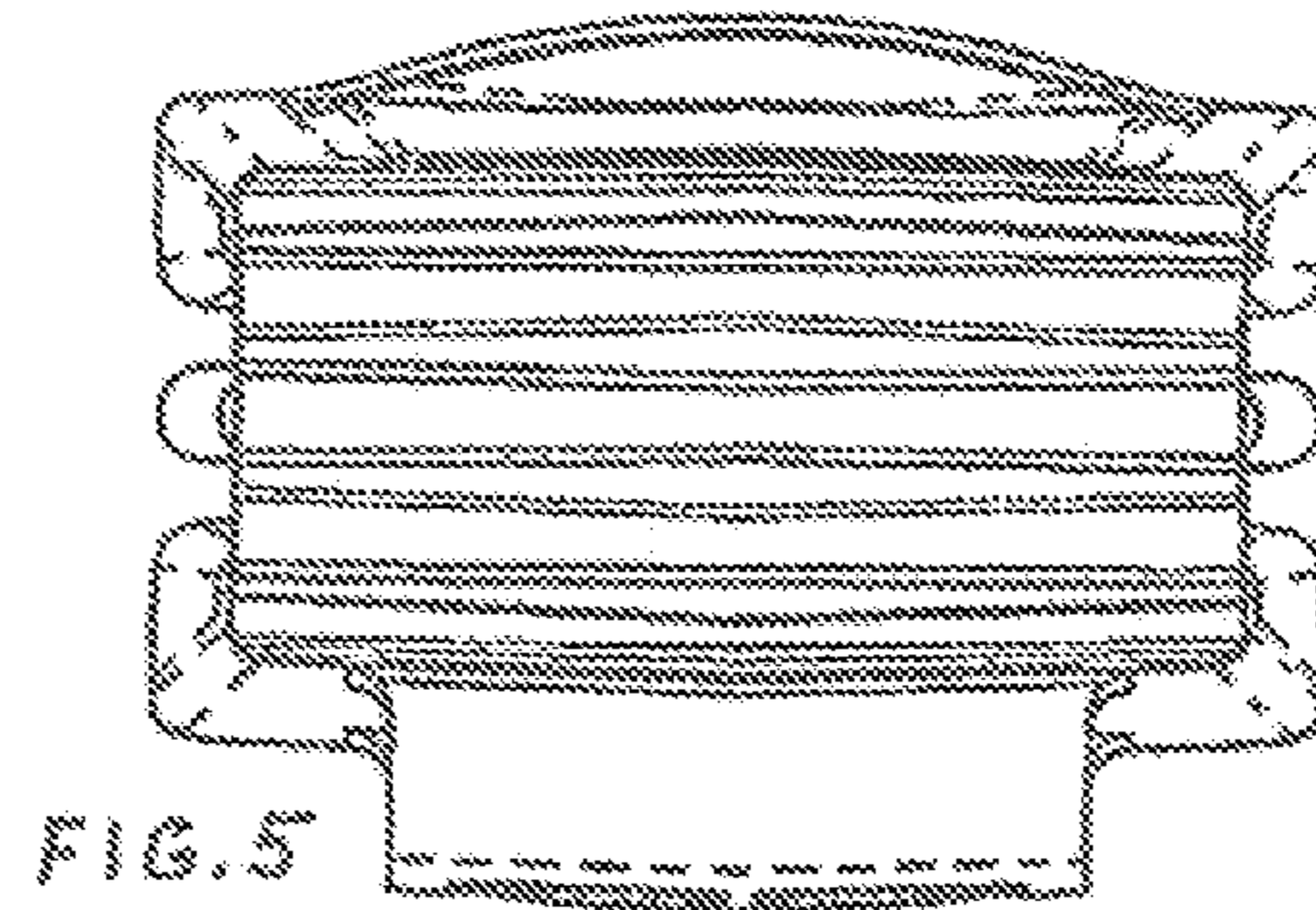
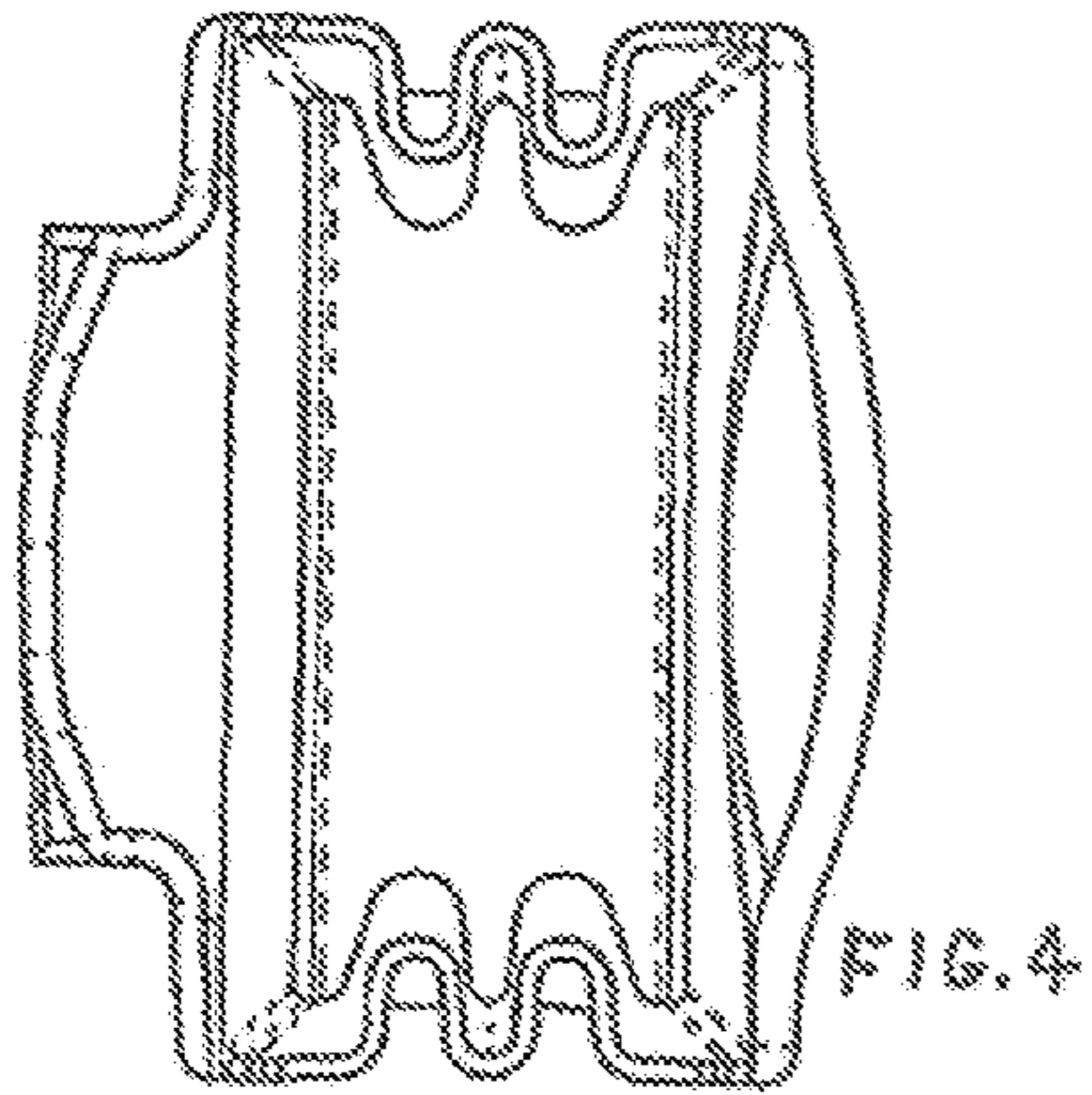
4,194,657	A *	3/1980	Thor	224/667
D259,948	S *	7/1981	Bianchi et al.	D3/221
D263,067	S *	2/1982	Nichols	D3/221
D284,714	S *	7/1986	Thor	D3/225
D286,315	S *	10/1986	Gregory	D3/225
D455,548	S *	4/2002	Cragg	D3/224
D507,872	S *	8/2005	Watson	D3/218
D609,462	S *	2/2010	Bullen	D3/218

* cited by examiner

1 Claim, 4 Drawing Sheets







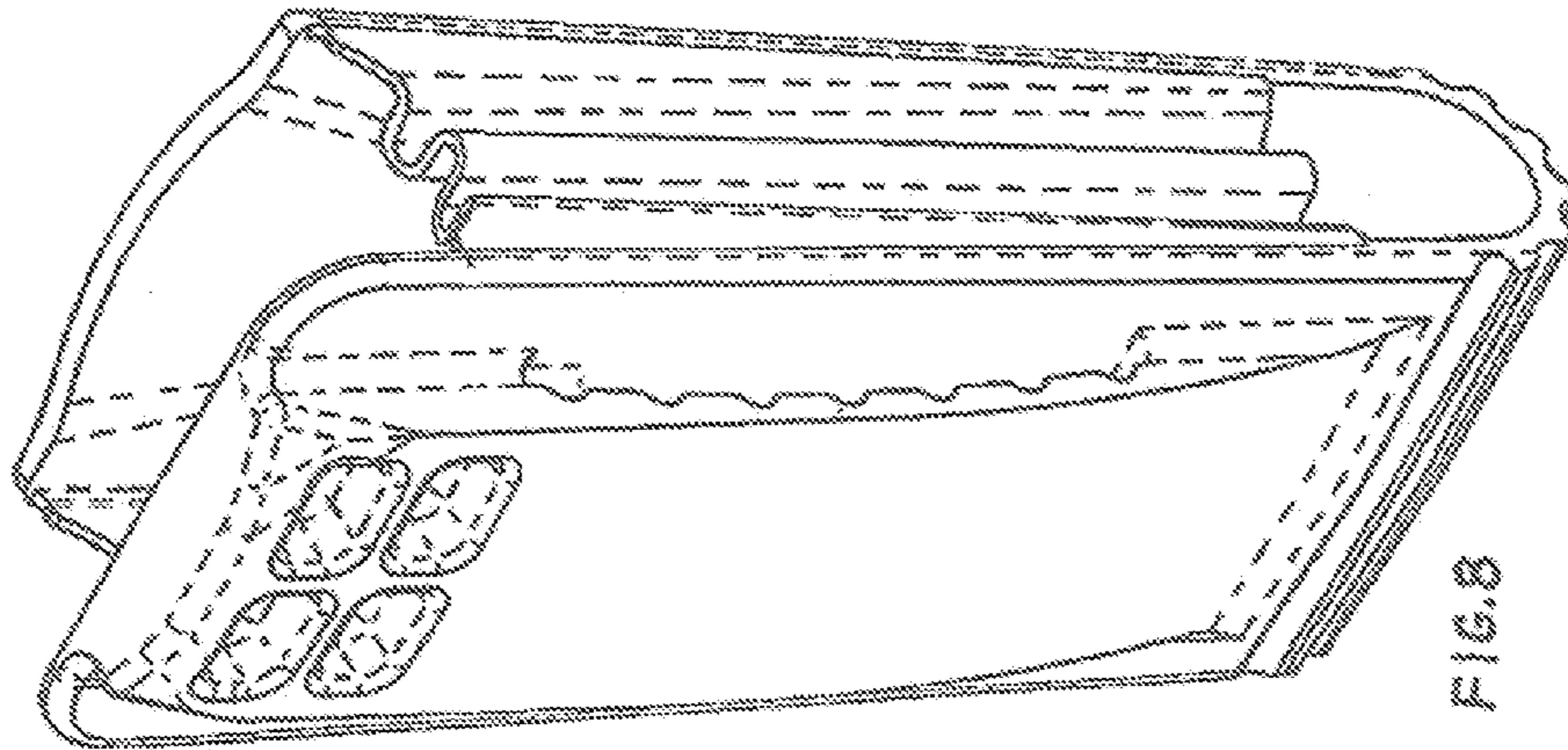


FIG. 8

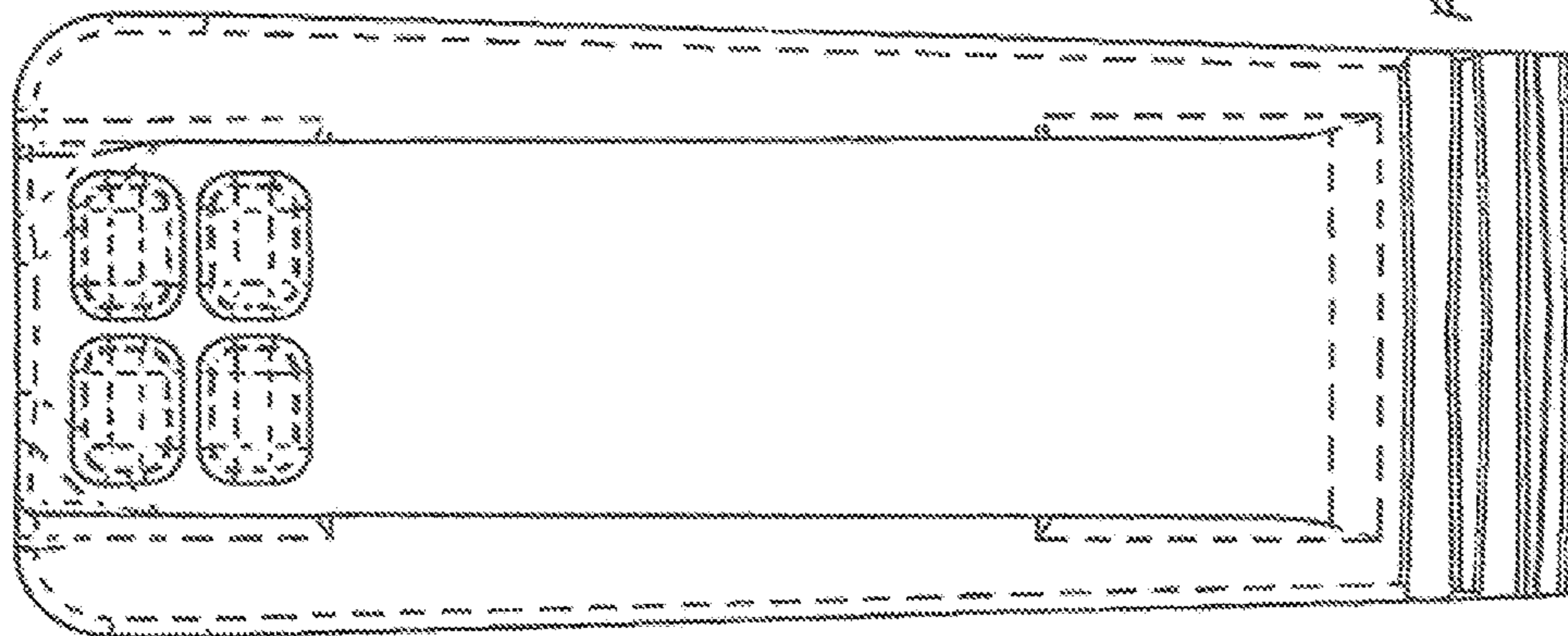


FIG. 7

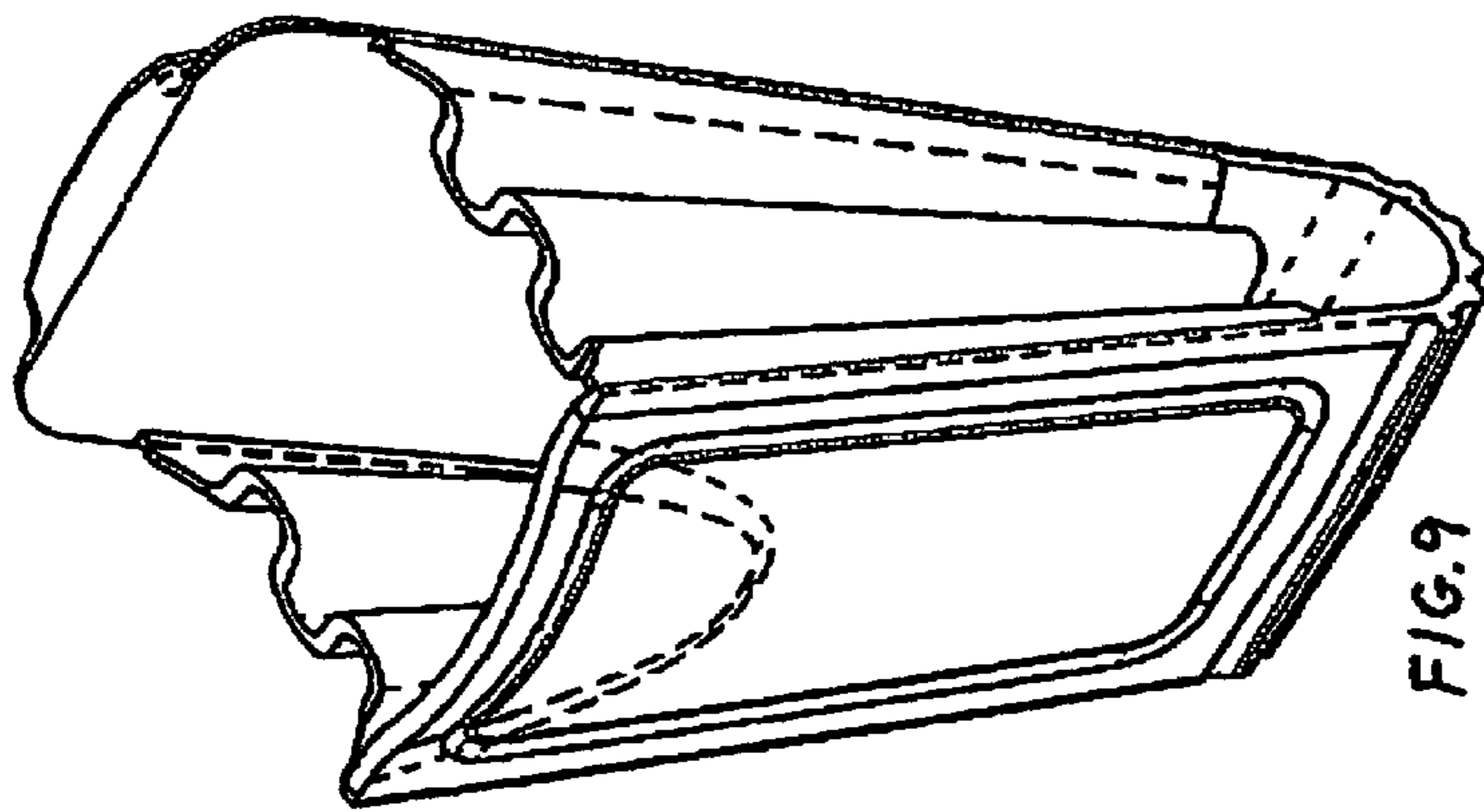


FIG. 9

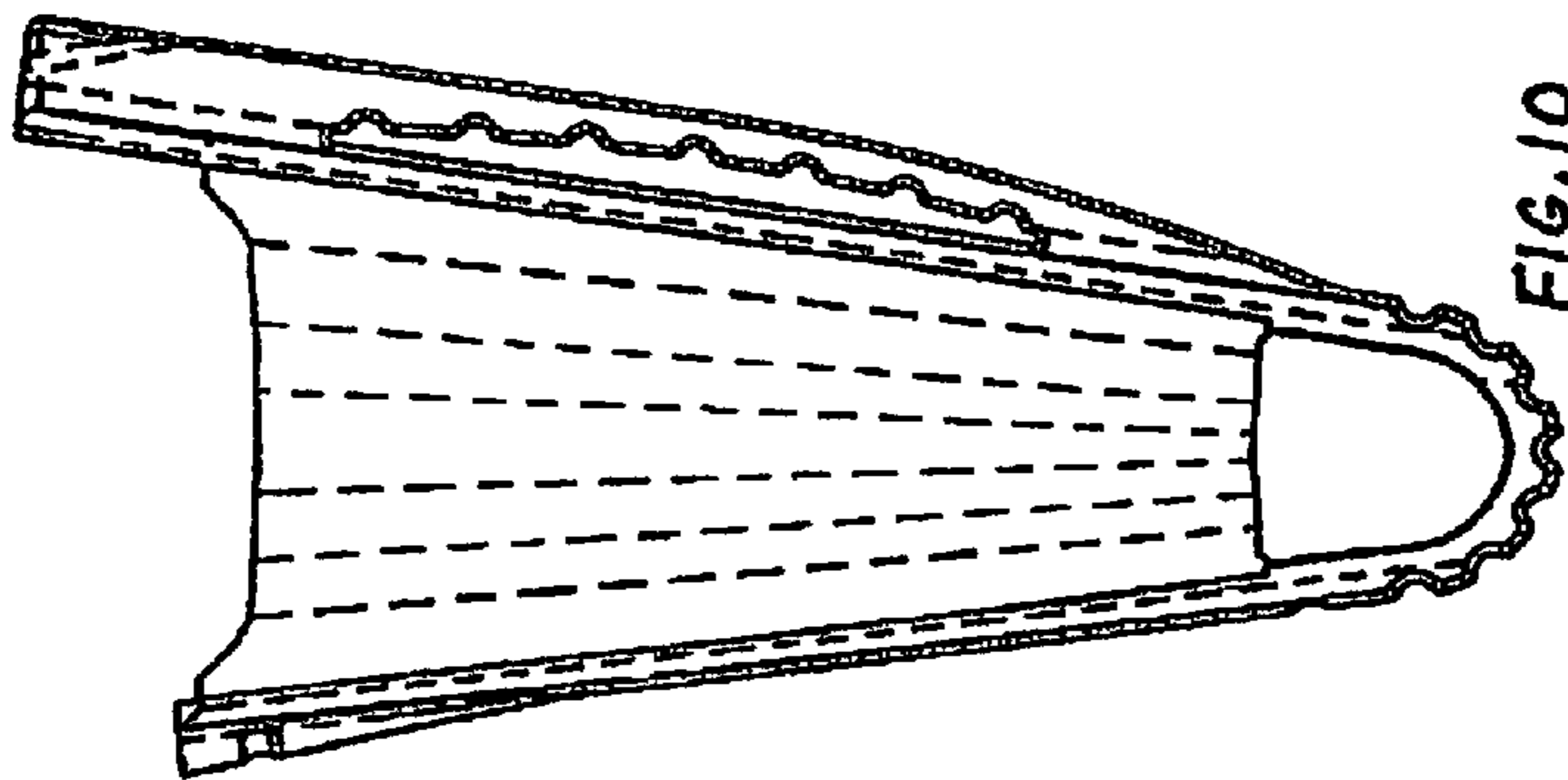


FIG. 10