



US00D642791S

(12) **United States Design Patent**
Quehl

(10) **Patent No.:** **US D642,791 S**

(45) **Date of Patent:** **** Aug. 9, 2011**

(54) **BACKPACK**

(75) Inventor: **Luis Quehl**, Santa Rosa, CA (US)

(73) Assignee: **Daymen Canada Acquisition ULC**,
Vancouver, British Columbia (CA)

(**) Term: **14 Years**

(21) Appl. No.: **29/342,101**

(22) Filed: **Aug. 18, 2009**

(51) **LOC (9) Cl.** **03-01**

(52) **U.S. Cl.** **D3/217**

(58) **Field of Classification Search** D3/214,
D3/215, 216, 217, 270; D2/830; 224/153,
224/576, 577, 578

See application file for complete search history.

(56) **References Cited**

U.S. PATENT DOCUMENTS

D340,351	S *	10/1993	Wrath	D3/217
D387,198	S *	12/1997	Lehmann et al.	D3/217
D403,853	S *	1/1999	Lothrop et al.	D3/216
D418,972	S *	1/2000	Gold	D3/217
D448,160	S *	9/2001	Sijmons et al.	D3/216
6,595,334	B1 *	7/2003	Saetia	190/18 A
6,619,519	B1 *	9/2003	Nix et al.	224/153
D484,686	S *	1/2004	Nordstrom et al.	D3/217
D485,678	S *	1/2004	Haro	D3/217
6,994,193	B2 *	2/2006	Saetia	190/18 A

D550,448	S *	9/2007	Boje et al.	D3/217
7,374,071	B2 *	5/2008	Lavelle	224/153
2004/0094583	A1 *	5/2004	Bernbaum et al.	224/153
2008/0029562	A1 *	2/2008	Hawkins et al.	224/153
2009/0294499	A1 *	12/2009	Mckinney et al.	224/576

* cited by examiner

Primary Examiner — T. Chase Nelson

(74) *Attorney, Agent, or Firm* — Medler Ferro PLLC

(57) **CLAIM**

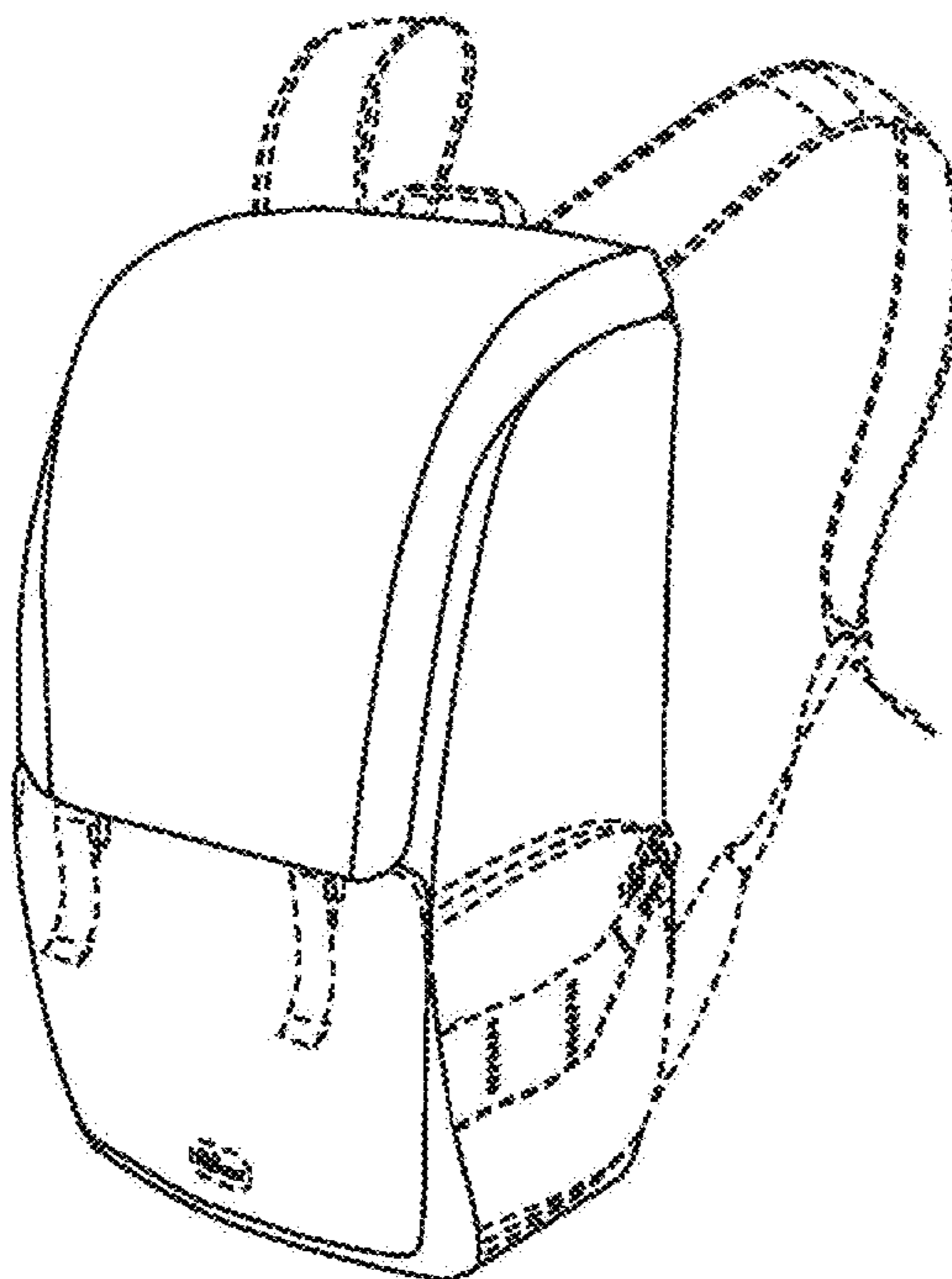
The ornamental design for a backpack, as shown and described.

DESCRIPTION

FIG. 1 is a perspective view of a backpack according to the embodiment of the present invention;
FIG. 2 is a front view of the backpack of FIG. 1 according to the embodiment of the present invention;
FIG. 3 is a side view of the backpack of FIG. 1 according to the embodiment of the present invention;
FIG. 4 is a another side view of the backpack of FIG. 1 according to the embodiment of the present invention; and,
FIG. 5 is a back view of the backpack of FIG. 1 according to the embodiment of the present invention.

The broken lines showing straps, zippers and stitching are included for the purpose of illustrating the embodiment of the invention as it would be in use, and form no part of the claimed design.

1 Claim, 5 Drawing Sheets



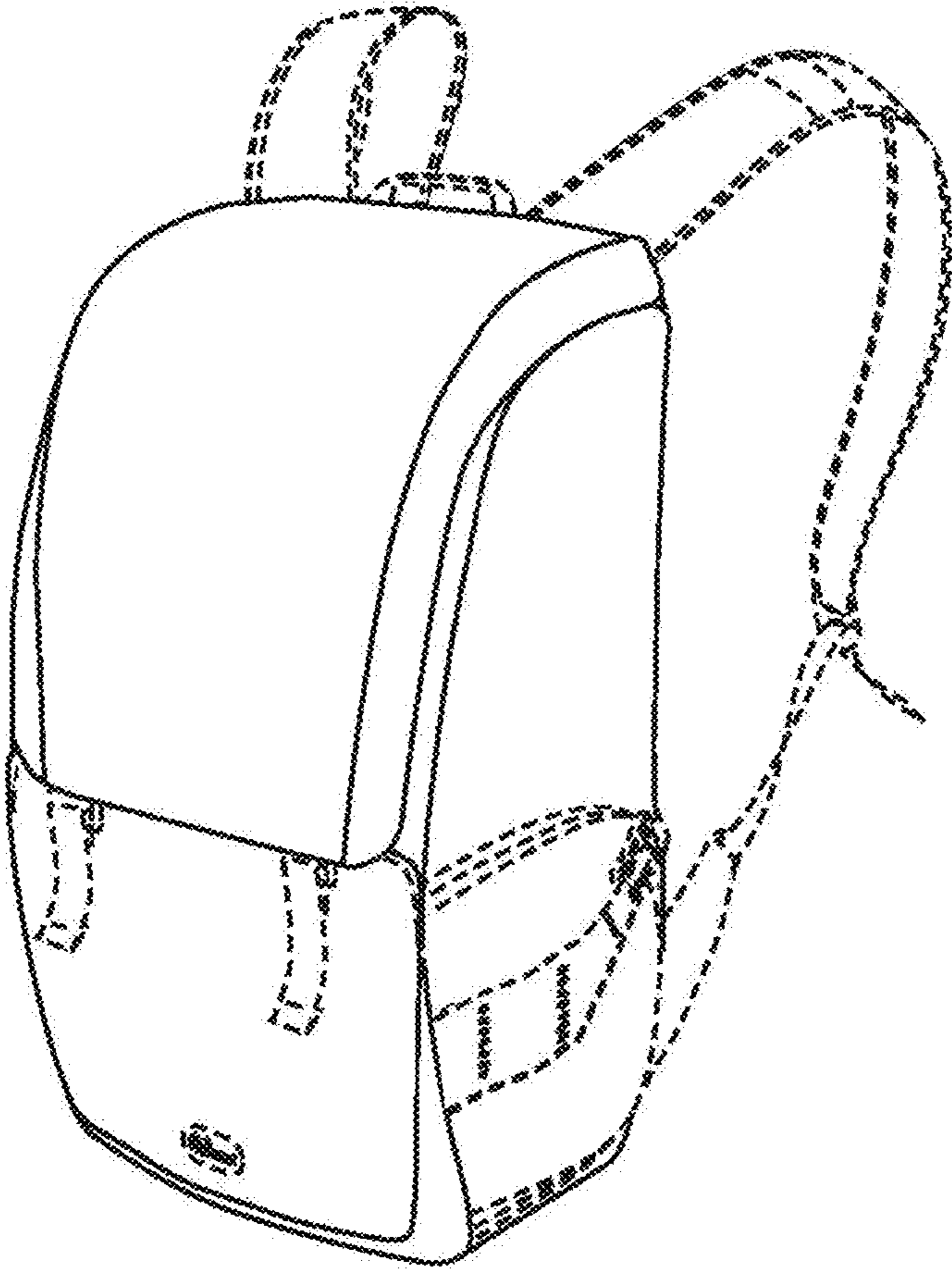


FIG. 1

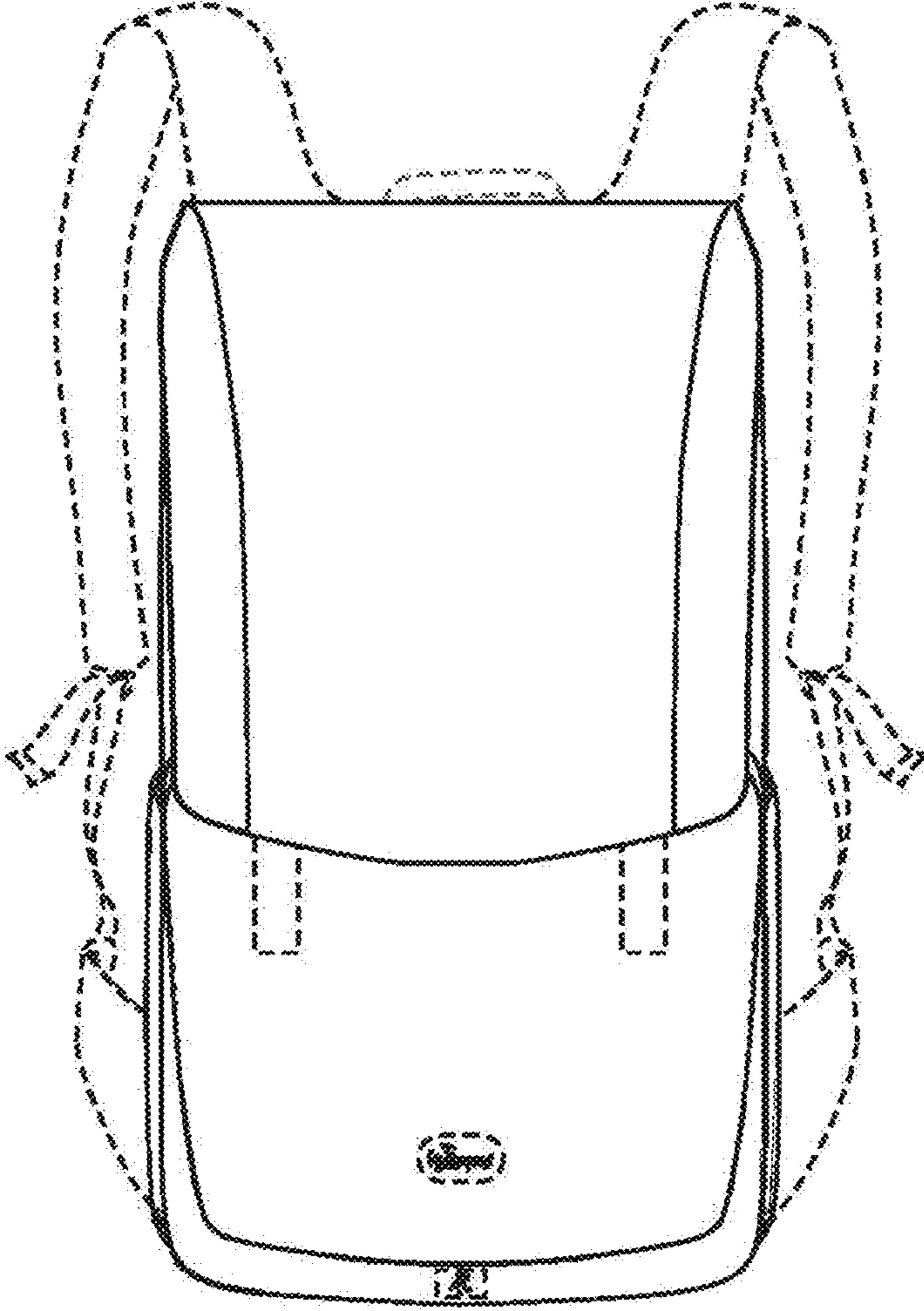


FIG. 2

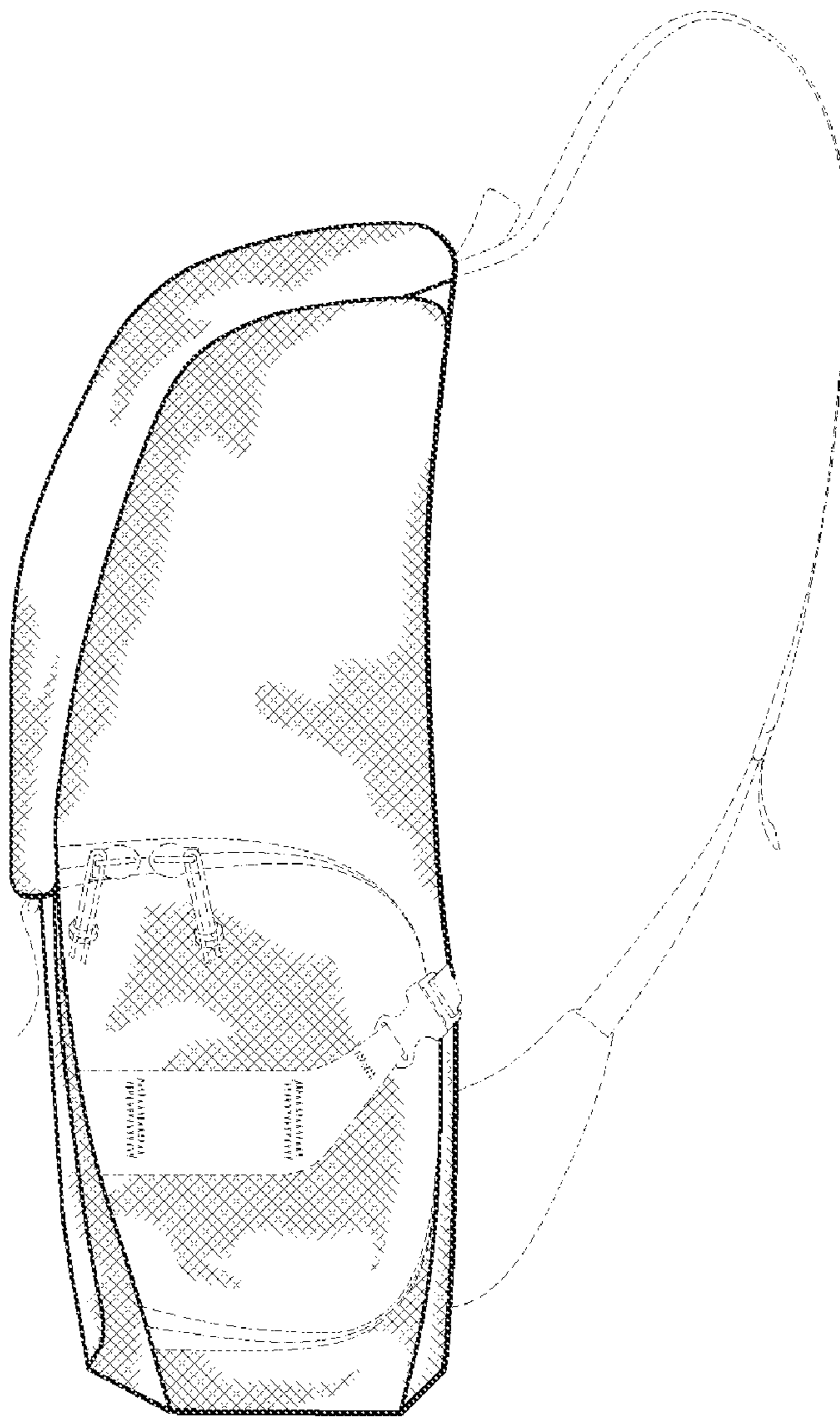


FIG. 3

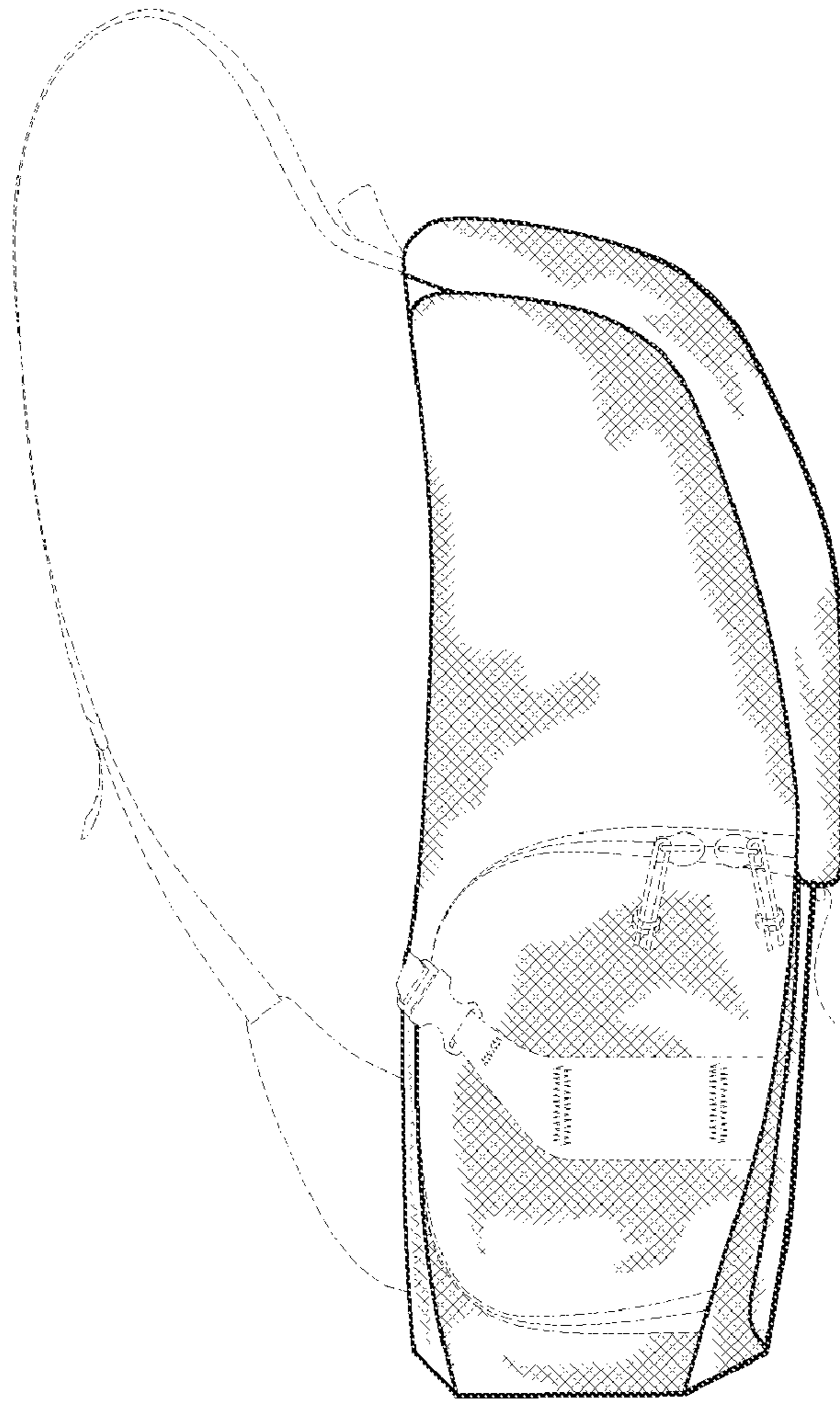


FIG. 4

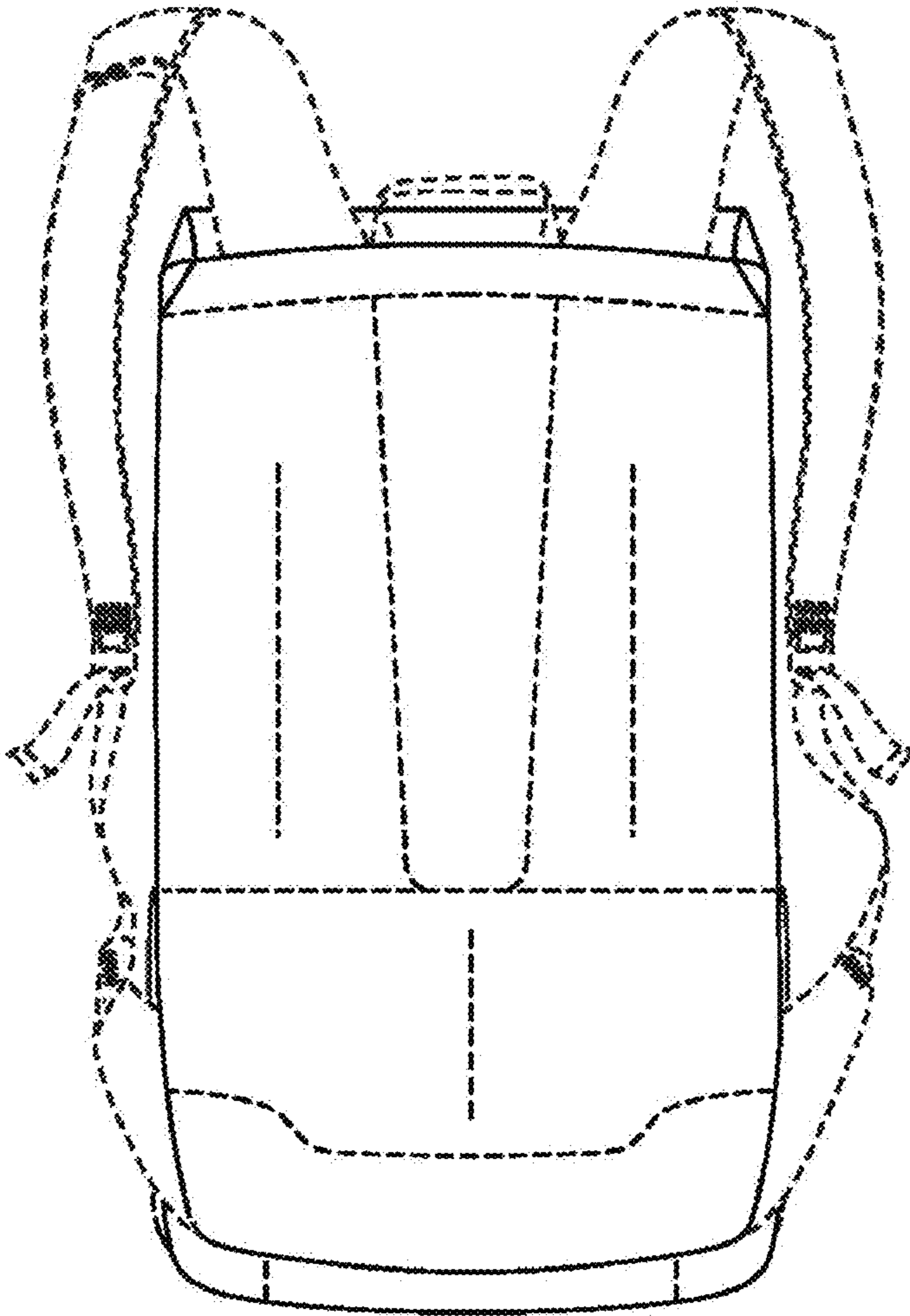


FIG. 5

UNITED STATES PATENT AND TRADEMARK OFFICE
CERTIFICATE OF CORRECTION

PATENT NO. : D642,791 S
APPLICATION NO. : 29/342101
DATED : August 9, 2011
INVENTOR(S) : Luis Quehl

Page 1 of 5

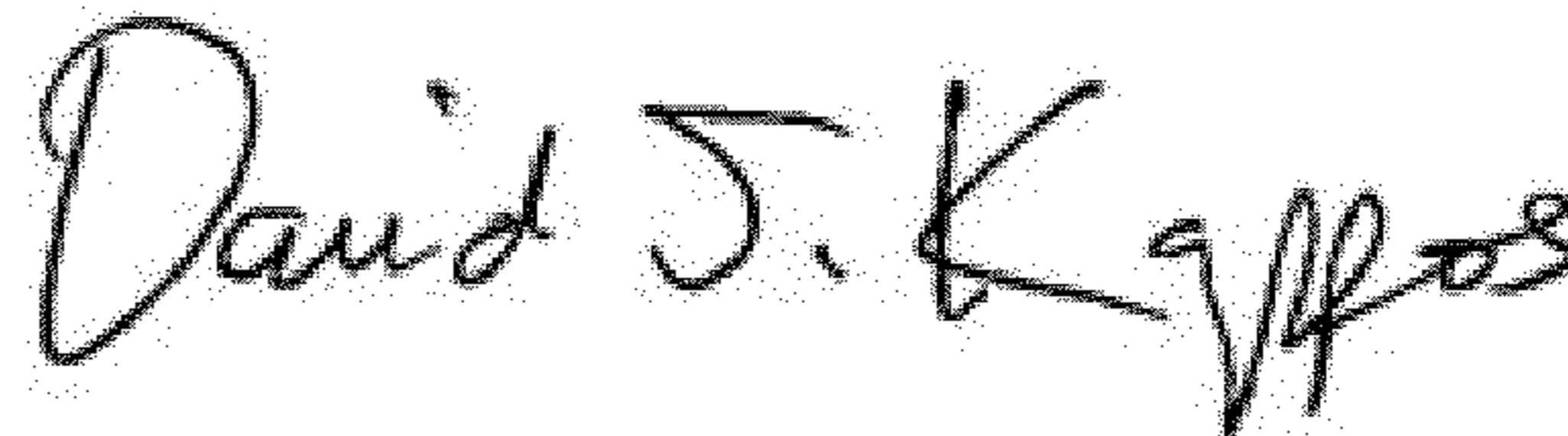
It is certified that error appears in the above-identified patent and that said Letters Patent is hereby corrected as shown below:

Title page, illustrative fig. 1 should be deleted and substitute therefore the attached title page consisting of illustrative fig. 1.

In the Drawings

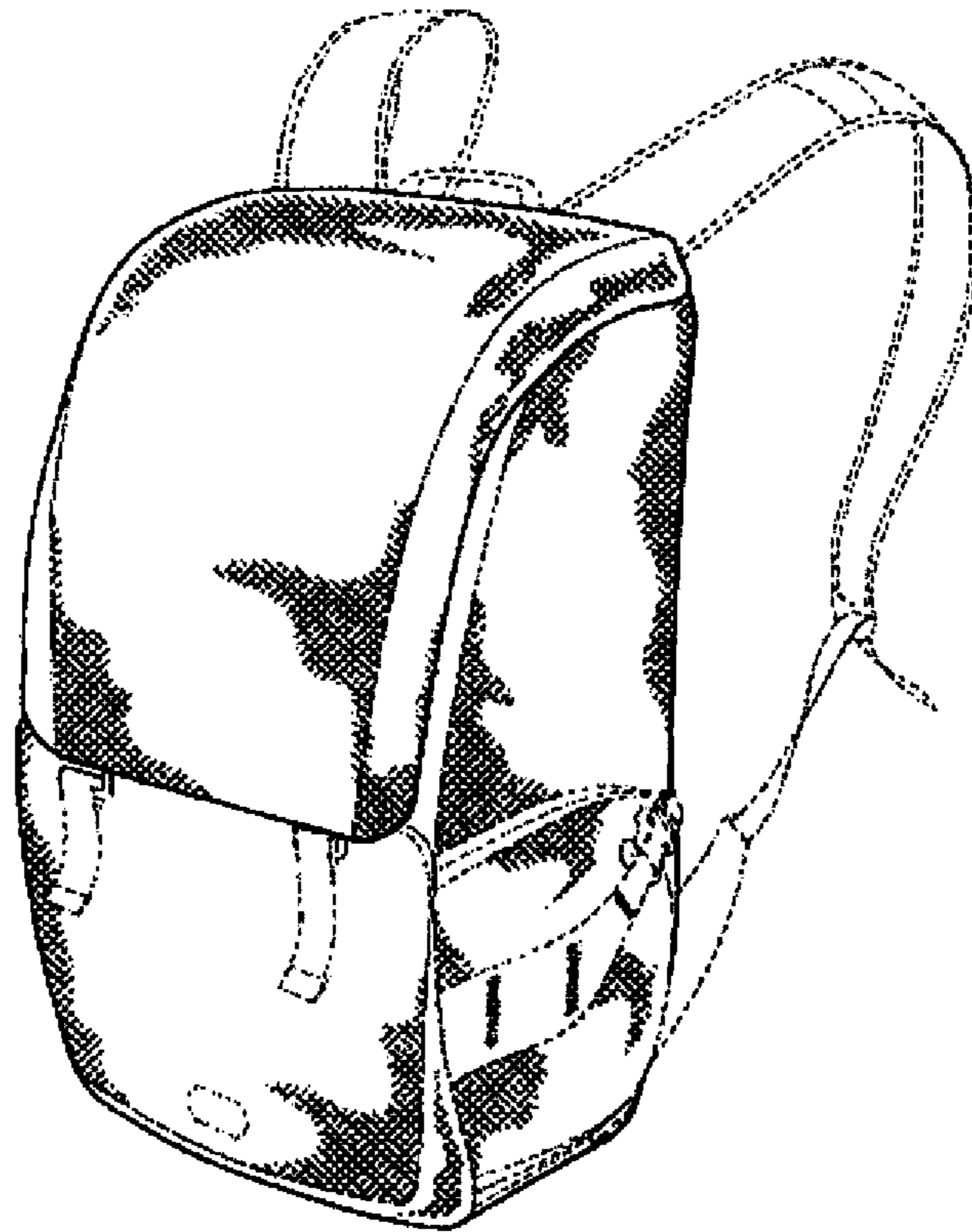
In the drawings, Fig(s) 1-2 and 5 should be deleted and substitute therefore the attached figures 1-2 and 5 as shown below.

Signed and Sealed this
Third Day of April, 2012

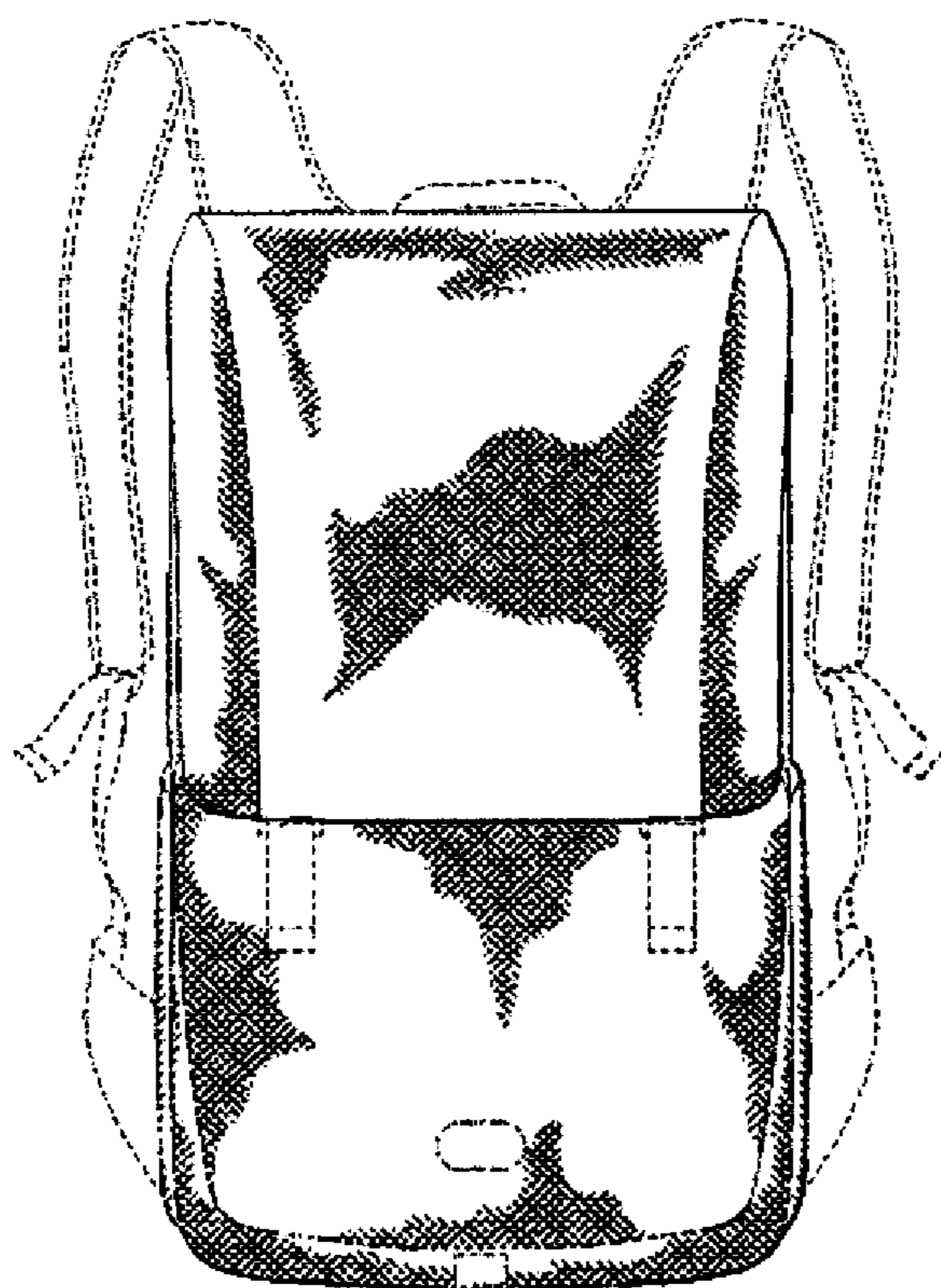
A handwritten signature in black ink that reads "David J. Kappos". The signature is written in a cursive, slightly slanted style.

David J. Kappos
Director of the United States Patent and Trademark Office

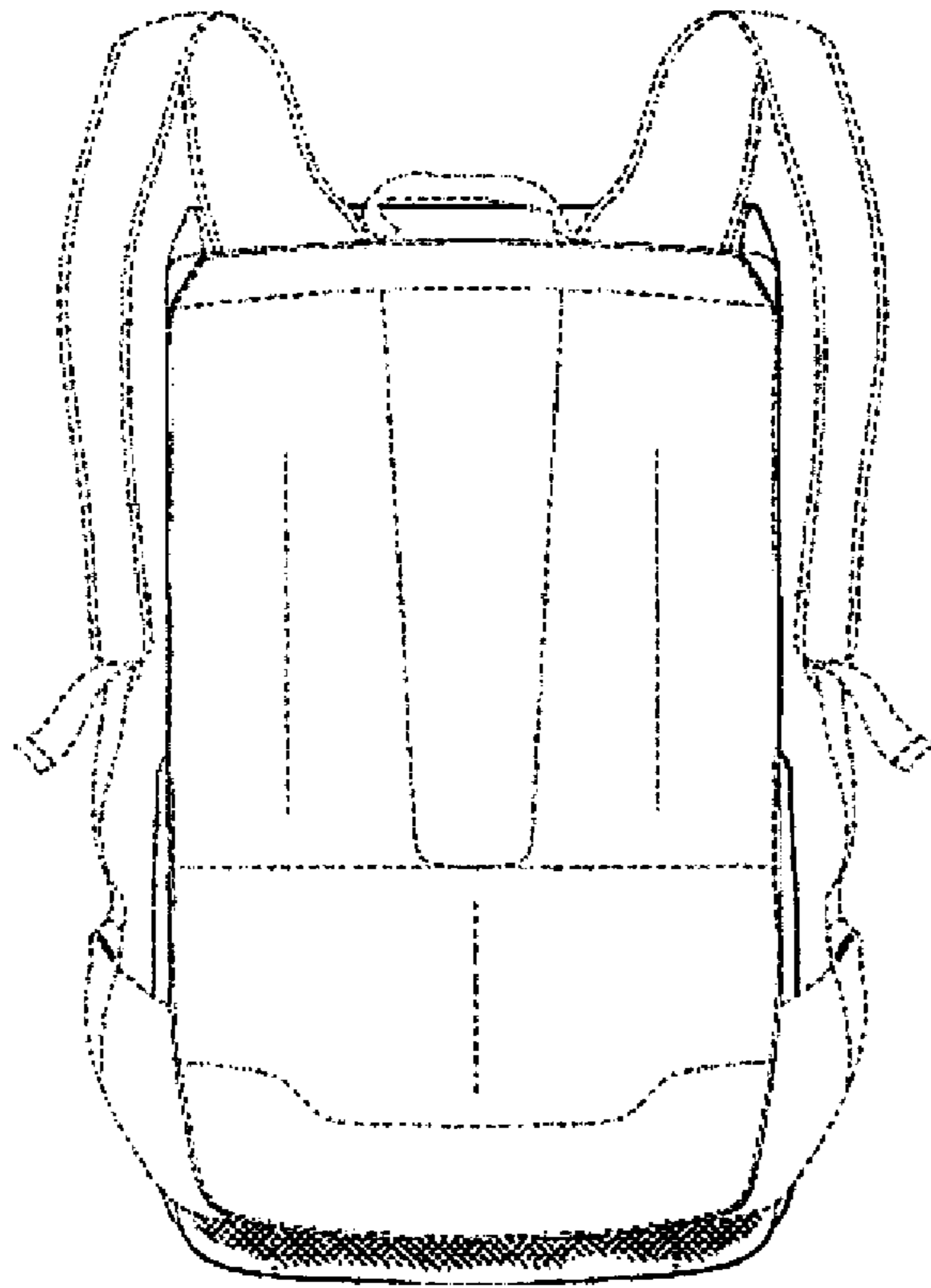
Replace FIG. 1 with the following FIG. 1:



Replace FIG. 2 with the following FIG. 2:



Replace FIG. 5 with the following FIG. 5:



(12) **United States Design Patent**
Quehl

(10) **Patent No.:** **US D642,791 S**
(45) **Date of Patent:** **** Aug. 9, 2011**

(54) **BACKPACK**

(75) **Inventor:** **Luis Quehl, Santa Rosa, CA (US)**

(73) **Assignee:** **Daymen Canada Acquisition ULC,**
Vancouver, British Columbia (CA)

(**) **Term:** **14 Years**

(21) **Appl. No.:** **29/342,101**

(22) **Filed:** **Aug. 18, 2009**

(51) **LOC (9) Cl.** **03-01**

(52) **U.S. Cl.** **D3/217**

(58) **Field of Classification Search** **D3/214,**
D3/215, 216, 217, 270; D2/830; 224/153,
224/576, 577, 578

See application file for complete search history.

(56) **References Cited**

U.S. PATENT DOCUMENTS

D340,351 S *	10/1993	Wrath	D3/217
D387,198 S *	12/1997	Lahmann et al.	D3/217
D403,853 S *	1/1999	Lothrop et al.	D3/216
D418,972 S *	1/2000	Gold	D3/217
D448,160 S *	9/2001	Sijmons et al.	D3/216
6,595,334 B1 *	7/2003	Saetia	190/18 A
6,619,519 B1 *	9/2003	Nix et al.	224/153
D484,686 S *	1/2004	Nordstrom et al.	D3/217
D485,678 S *	1/2004	Haro	D3/217
6,994,193 B2 *	2/2006	Saetia	190/18 A

D550,448 S *	9/2007	Boje et al.	D3/217
7,374,071 B2 *	5/2008	Lavelle	224/153
2004/0094583 A1 *	5/2004	Bernbaum et al.	224/153
2008/0029562 A1 *	2/2008	Hawkins et al.	224/153
2009/0294499 A1 *	12/2009	Mckinney et al.	224/576

* cited by examiner

Primary Examiner — T. Chase Nelson

(74) *Attorney, Agent, or Firm* — Medler Ferro PLLC

(57) **CLAIM**

The ornamental design for a backpack, as shown and described.

DESCRIPTION

FIG. 1 is a perspective view of a backpack according to the embodiment of the present invention; FIG. 2 is a front view of the backpack of FIG. 1 according to the embodiment of the present invention; FIG. 3 is a side view of the backpack of FIG. 1 according to the embodiment of the present invention; FIG. 4 is a another side view of the backpack of FIG. 1 according to the embodiment of the present invention; and, FIG. 5 is a back view of the backpack of FIG. 1 according to the embodiment of the present invention.

The broken lines showing straps, zippers and stitching are included for the purpose of illustrating the embodiment of the invention as it would be in use, and form no part of the claimed design.

1 Claim, 5 Drawing Sheets

