



US00D642773S

(12) **United States Design Patent**
Liow

(10) **Patent No.:** **US D642,773 S**

(45) **Date of Patent:** **** Aug. 9, 2011**

(54) **CLOG**

(76) **Inventor:** **Peter Liow, Carson, CA (US)**

(**) **Term:** **14 Years**

(21) **Appl. No.:** **29/369,957**

(22) **Filed:** **Sep. 15, 2010**

(51) **LOC (9) Cl.** **02-04**

(52) **U.S. Cl.** **D2/923; D2/896**

(58) **Field of Classification Search** D2/896,
D2/900, 916, 917, 923, 943, 946, 969, 972,
D2/976; 36/45, 8, 100, 88, 102, 112, 113,
36/3 A, 3 R, 7.4, 11.5, 4, 87, 7.5
See application file for complete search history.

(56) **References Cited**

U.S. PATENT DOCUMENTS

D416,667 S	*	11/1999	Lamstein	D2/916
D529,263 S	*	10/2006	Wolf	D2/923
D545,032 S	*	6/2007	Wolf	D2/923
D545,033 S	*	6/2007	Wolf	D2/926
D567,483 S	*	4/2008	Liow	D2/896
D575,480 S	*	8/2008	Zimmerman	D2/896
D578,743 S	*	10/2008	Liow	D2/896

D579,182 S	*	10/2008	Klavano	D2/916
D610,784 S	*	3/2010	Del Biondi	D2/916
D624,733 S	*	10/2010	O'Boyle et al.	D2/923

* cited by examiner

Primary Examiner — Rob Spear

Assistant Examiner — Rashida C McCoy

(74) *Attorney, Agent, or Firm* — Frommer Lawrence & Haug LLP; Patrick R. Turner

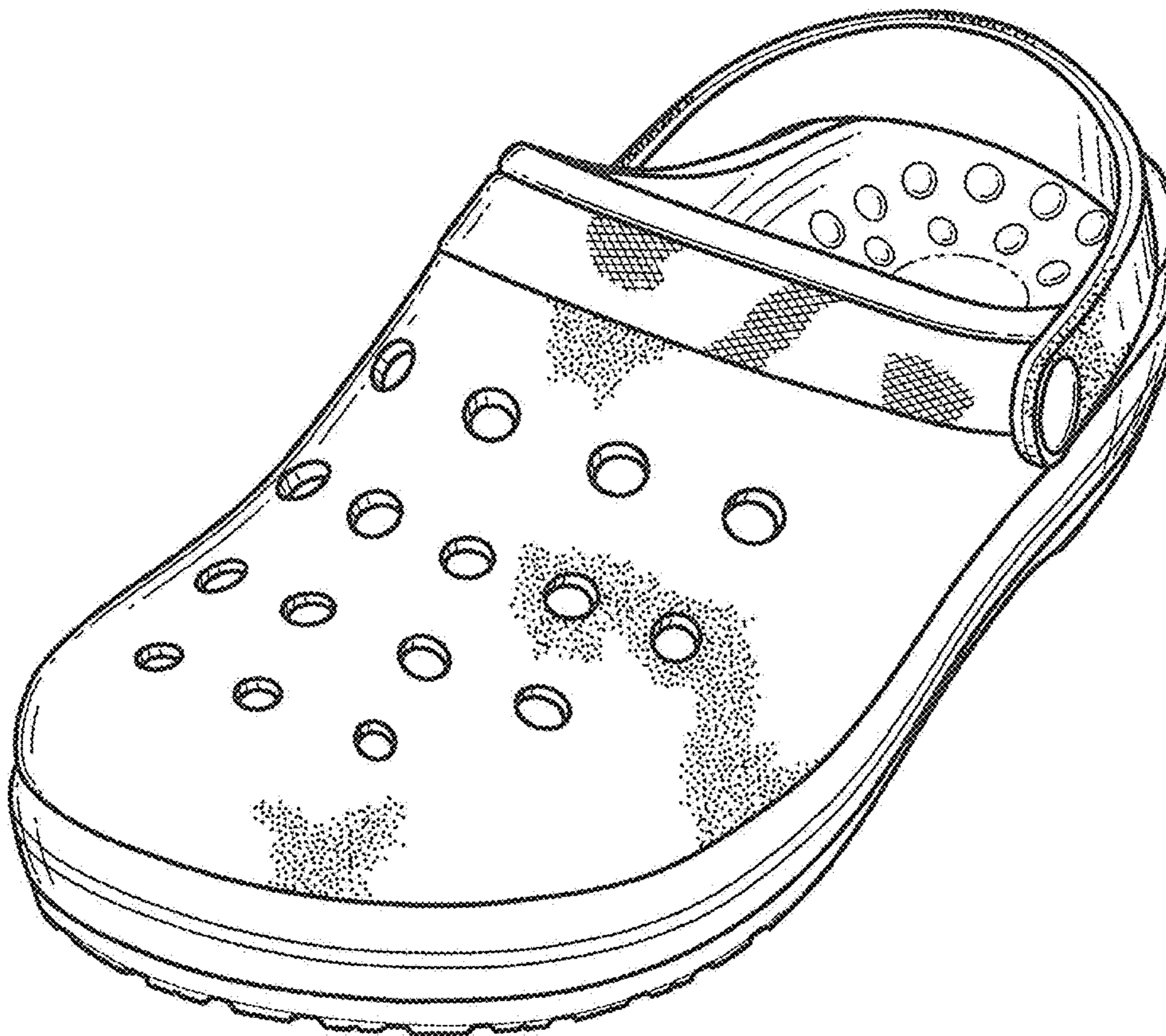
(57) **CLAIM**

The ornamental design for clogs, as shown and described.

DESCRIPTION

FIG. 1 is a top isometric view of my new shoe design showing representative surface ornamentation; FIG. 2 is a right side view thereof; FIG. 3 is a left side view thereof; FIG. 4 is a top view thereof; FIG. 5 is a bottom view thereof; FIG. 6 is a rear view thereof; FIG. 7 is a front view thereof; FIG. 8 is a magnified surface view of the surface ornamentation identified in FIG. 2 as part 8; FIG. 9 is a cutaway side planar view along the plane identified in FIG. 8 by line 9; and, FIG. 10 is a cutaway side planar view along the plane identified in FIG. 8 by line 10. The small dashed lines illustrate environmental structure and form no part of the claimed design.

1 Claim, 5 Drawing Sheets



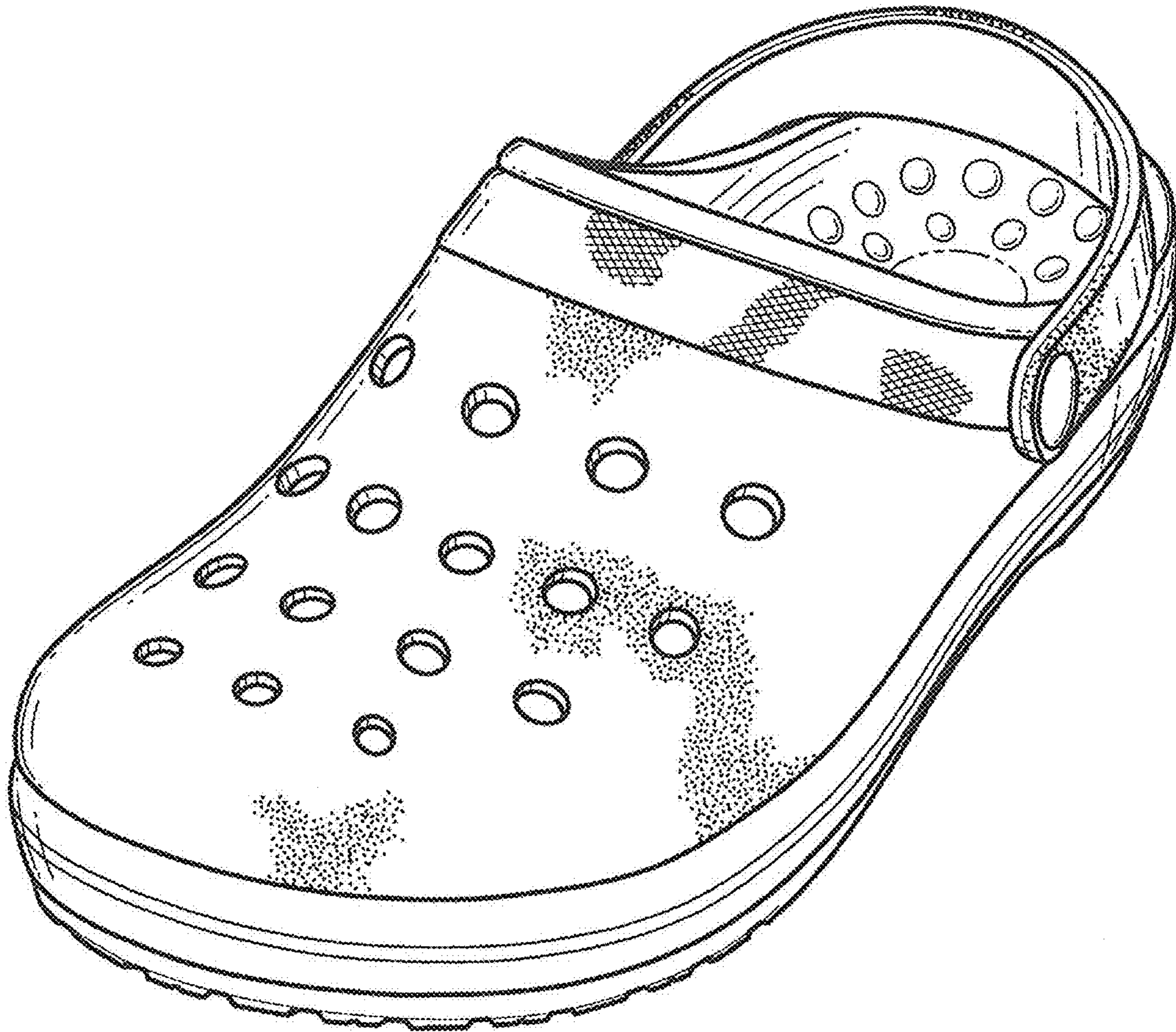


FIG. 1

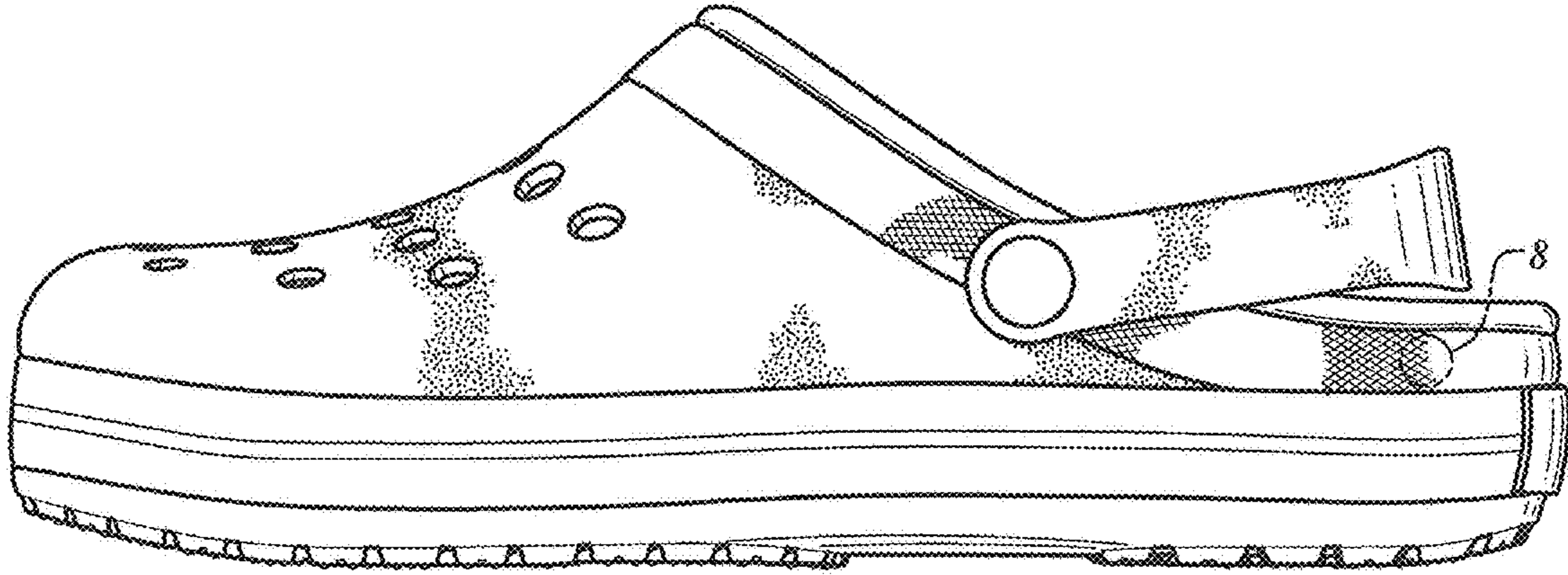


FIG. 2

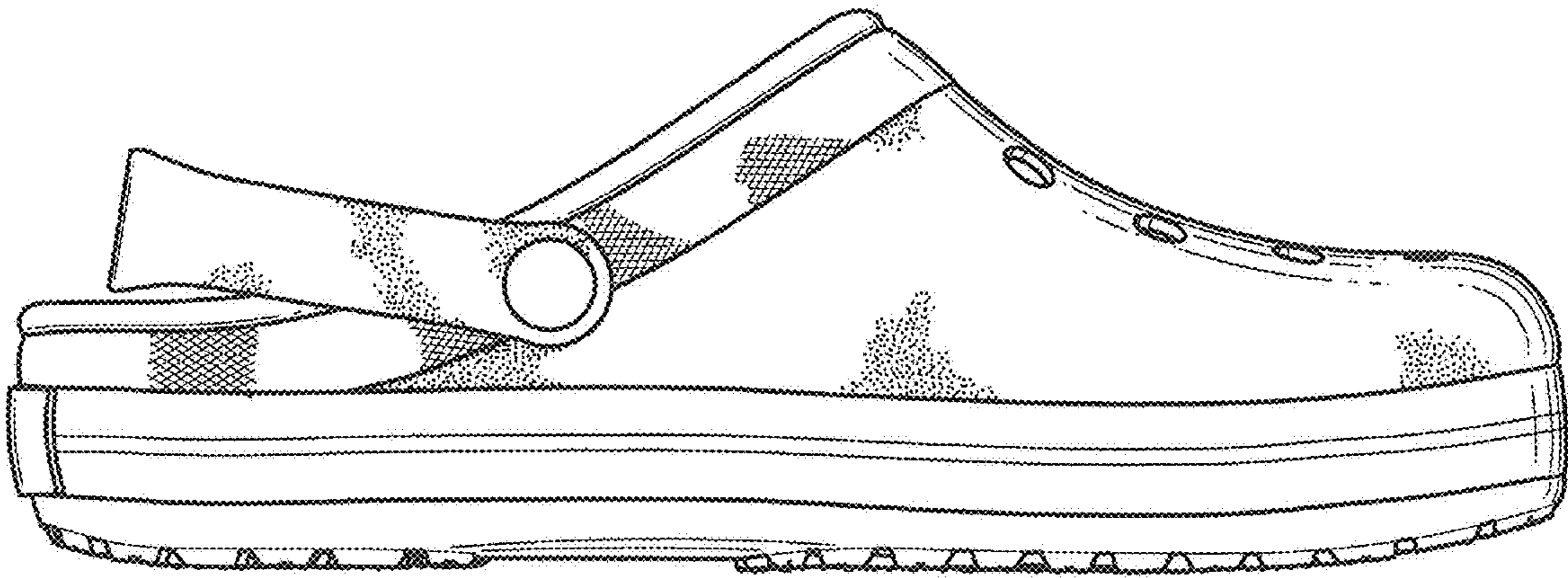


FIG. 3

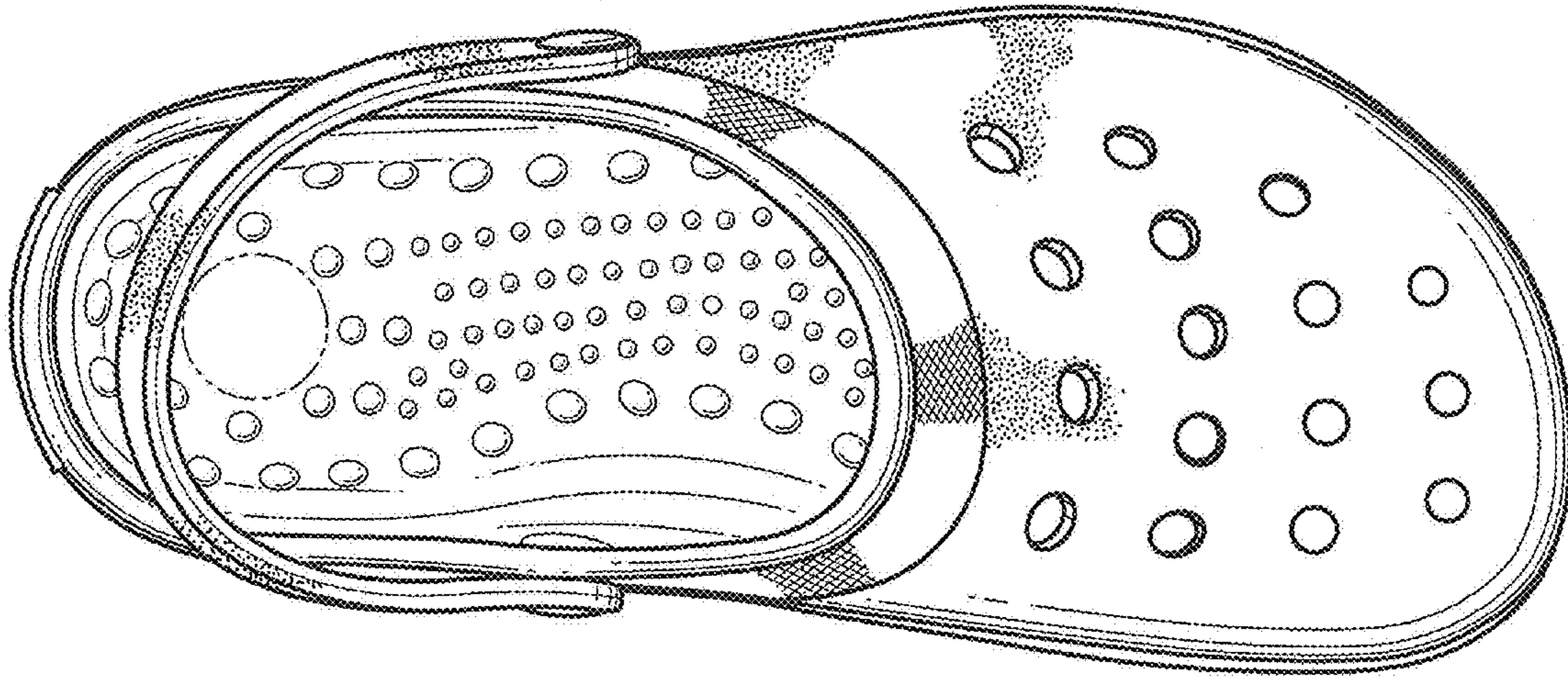


FIG. 4

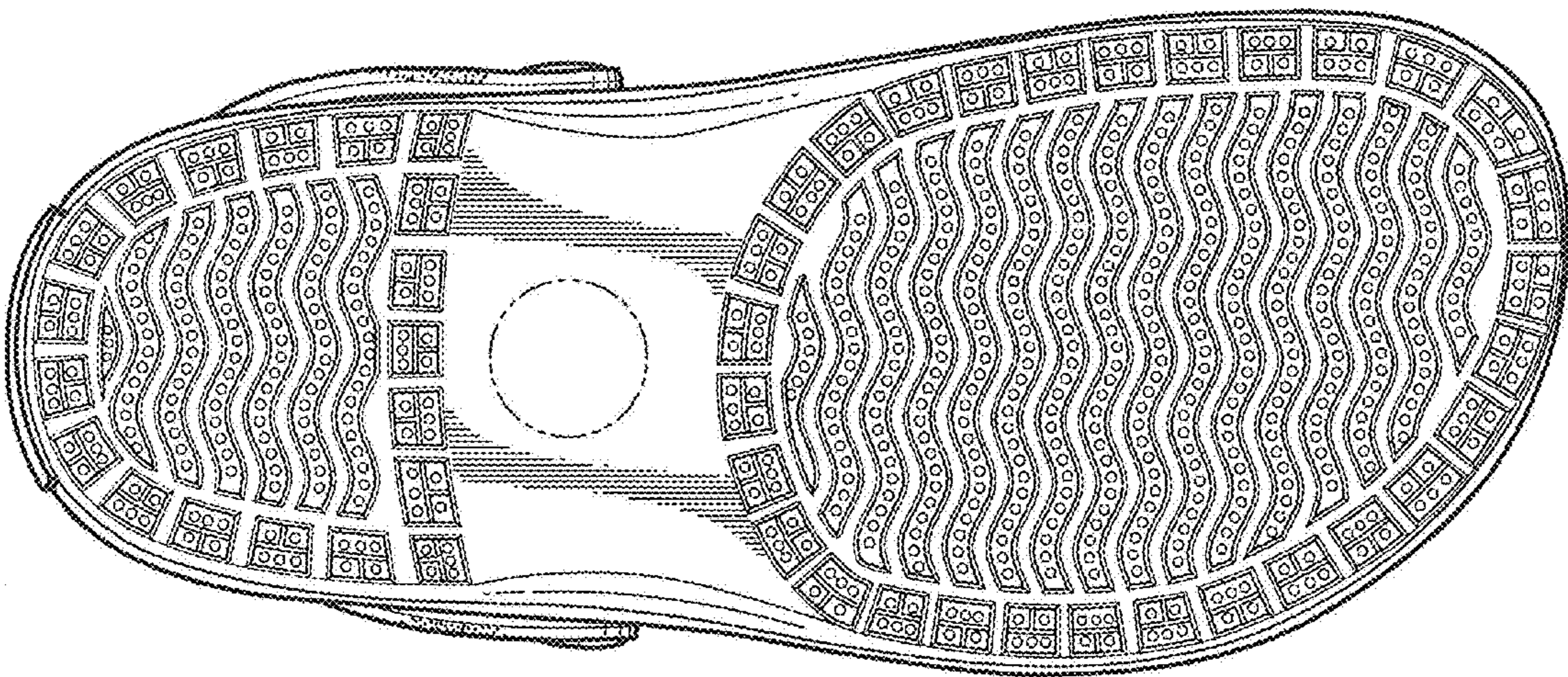


FIG. 5

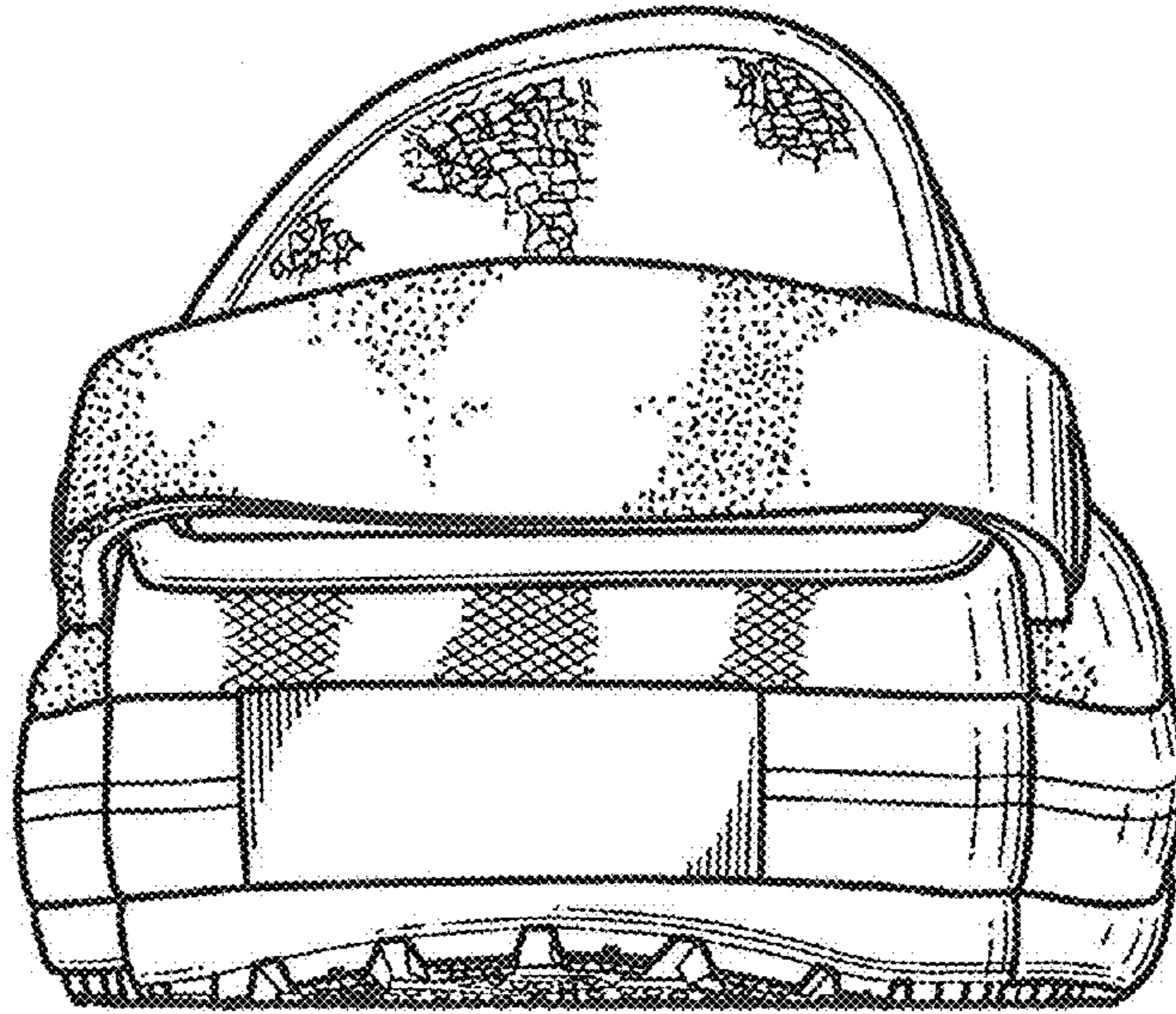


FIG. 6

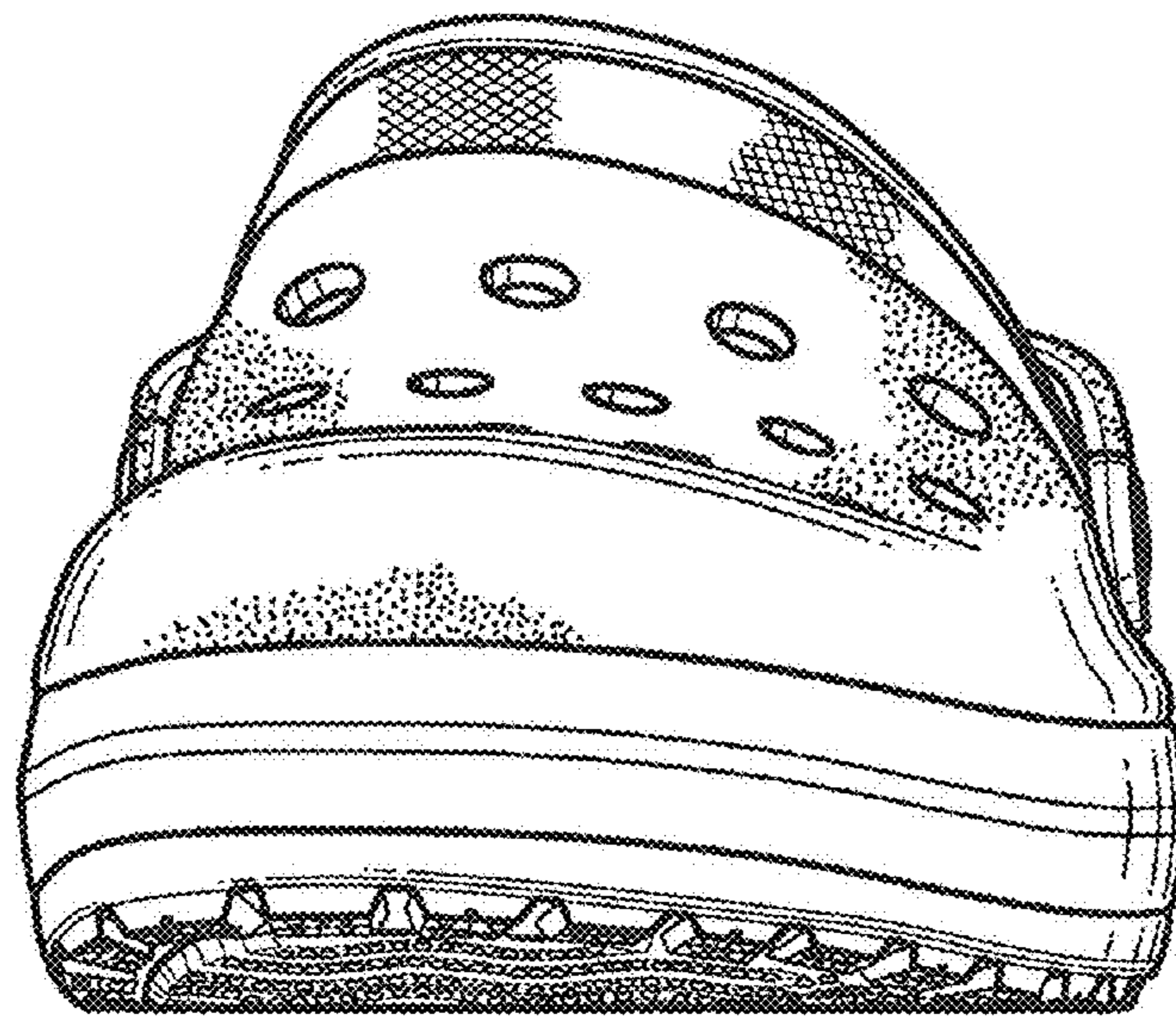


FIG. 7

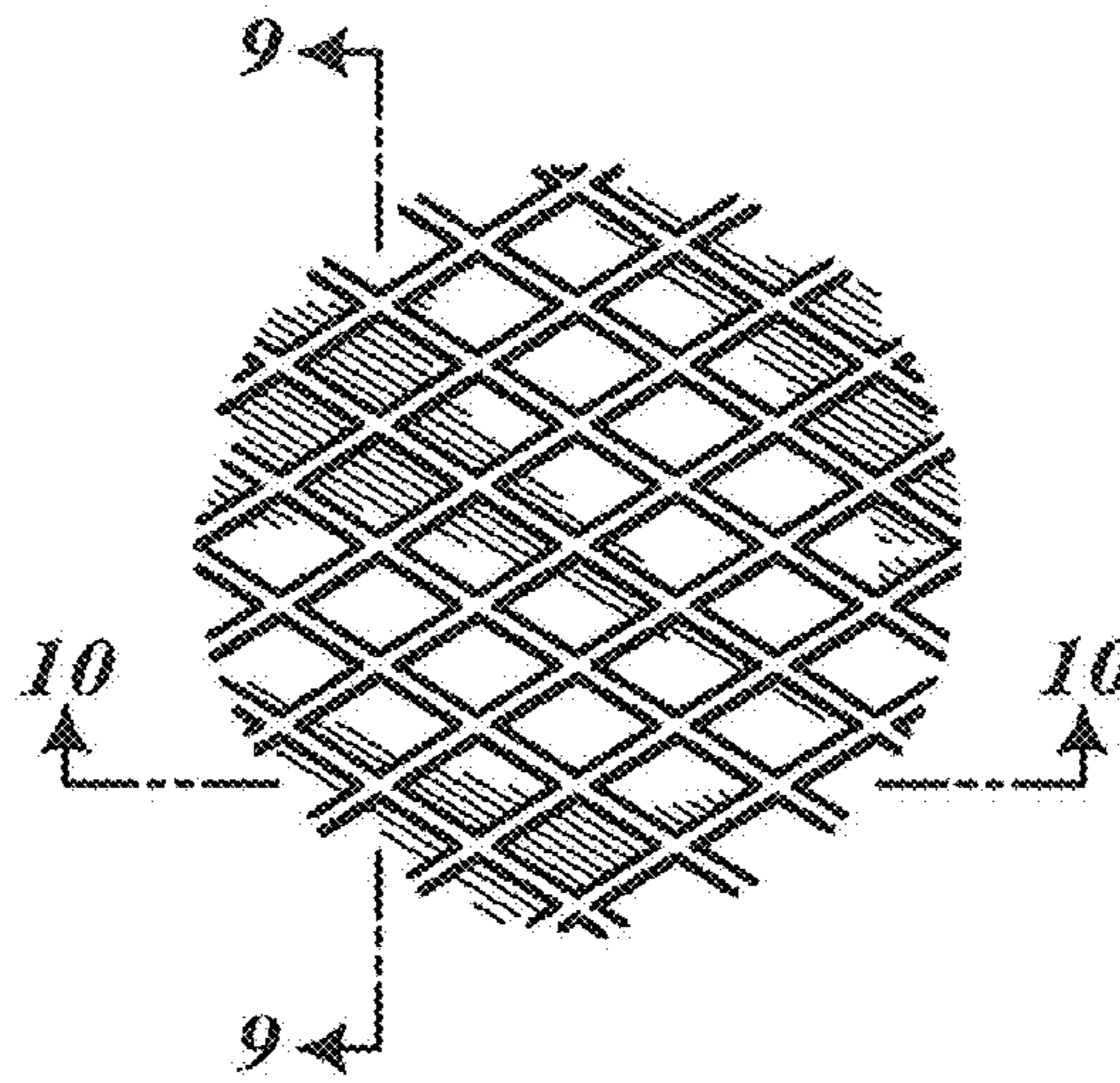


FIG. 8



FIG. 9

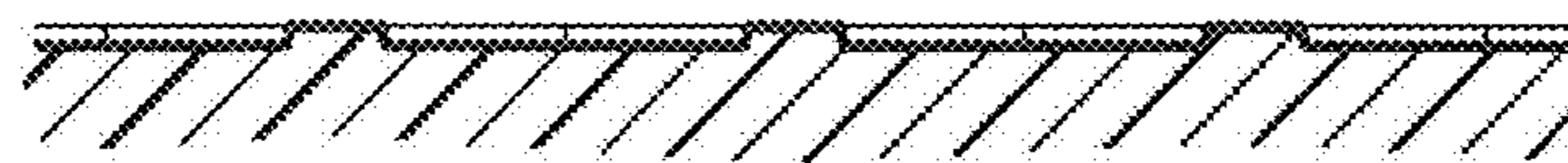


FIG. 10