



US00D642765S

(12) **United States Design Patent**
Long

(10) **Patent No.:** **US D642,765 S**

(45) **Date of Patent:** **** Aug. 2, 2011**

(54) **ROBOT**

(75) Inventor: **Bo Long**, Shenzhen (CN)

(73) Assignee: **Hon Hai Precision Industry Co., Ltd.**,
Tu-Cheng, New Taipei (TW)

(**) Term: **14 Years**

(21) Appl. No.: **29/379,332**

(22) Filed: **Nov. 17, 2010**

(51) **LOC (9) Cl.** **12-05**

(52) **U.S. Cl.** **D34/28**

(58) **Field of Classification Search** D34/28,
D34/35; 254/122, 124, 2 C, 10 R, 87 H,
254/8 R, 45, 424, 88

See application file for complete search history.

(56) **References Cited**

U.S. PATENT DOCUMENTS

1,954,558	A *	4/1934	Conrad	254/126
3,110,476	A *	11/1963	Farris	254/122
4,526,346	A *	7/1985	Galloway et al.	254/122
4,573,663	A *	3/1986	Nussbaum	254/89 H
4,659,066	A *	4/1987	VanLierop	254/122

4,741,512	A *	5/1988	Elkuch et al.	254/9 C
4,842,233	A *	6/1989	Rusin	248/405
D302,893	S *	8/1989	Wakefield	D34/31
D344,835	S *	3/1994	MacEachern	D34/31
D378,155	S *	2/1997	Bartow et al.	D34/28
2011/0037039	A1 *	2/2011	LI	254/122

* cited by examiner

Primary Examiner — Cynthia Ramirez

(74) *Attorney, Agent, or Firm* — Clifford O. Chi

(57) **CLAIM**

The ornamental design for a robot, as shown and described.

DESCRIPTION

FIG. 1 is a perspective view of a robot showing my new design;

FIG. 2 is a front elevational view thereof;

FIG. 3 is a rear elevational view thereof;

FIG. 4 is a left-side elevational view thereof;

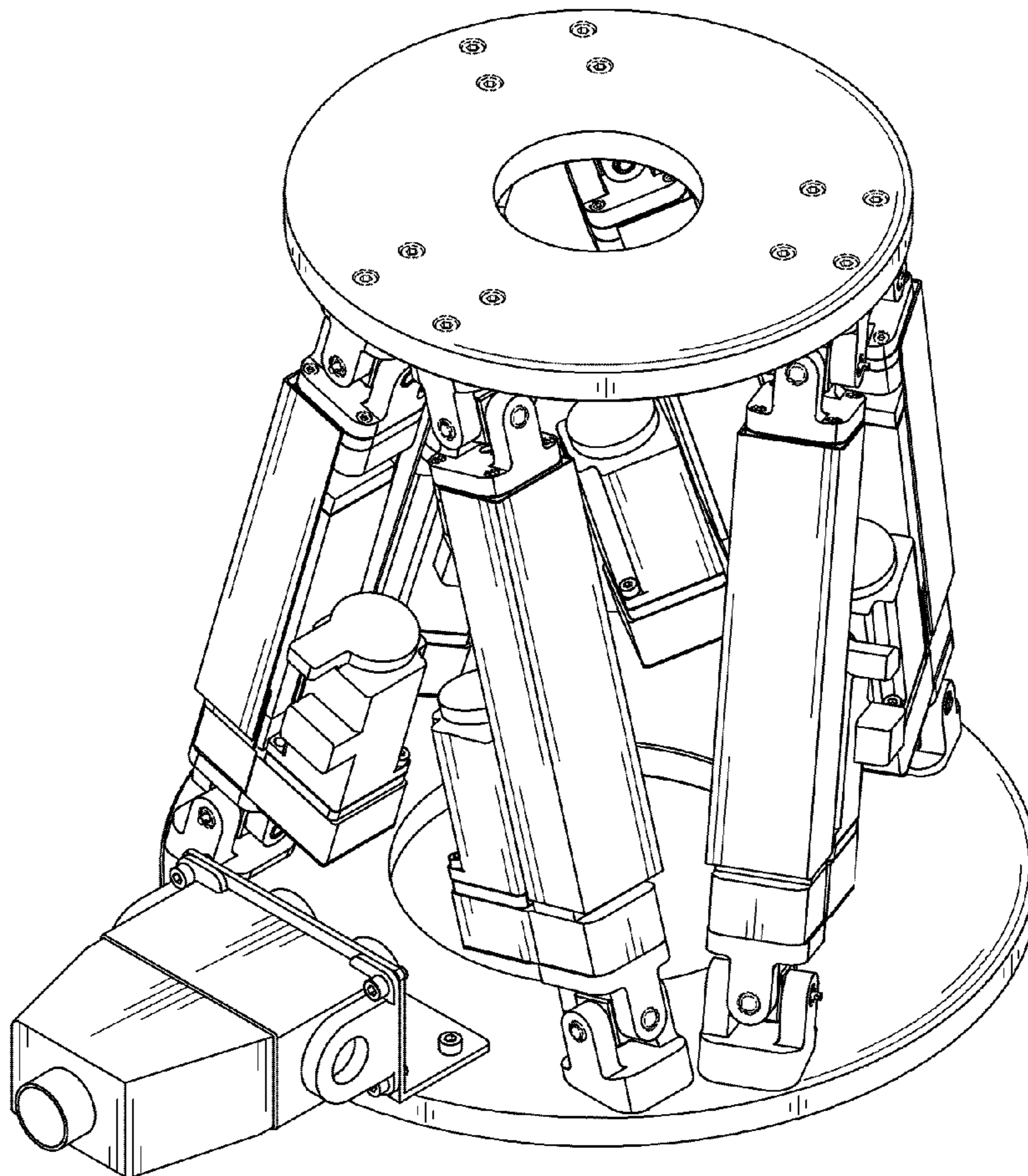
FIG. 5 is a right-side elevational view thereof;

FIG. 6 is a top plan view thereof; and,

FIG. 7 is a bottom plan view thereof.

The broken lines are for illustrative purposes only and form no part of the claimed design.

1 Claim, 7 Drawing Sheets



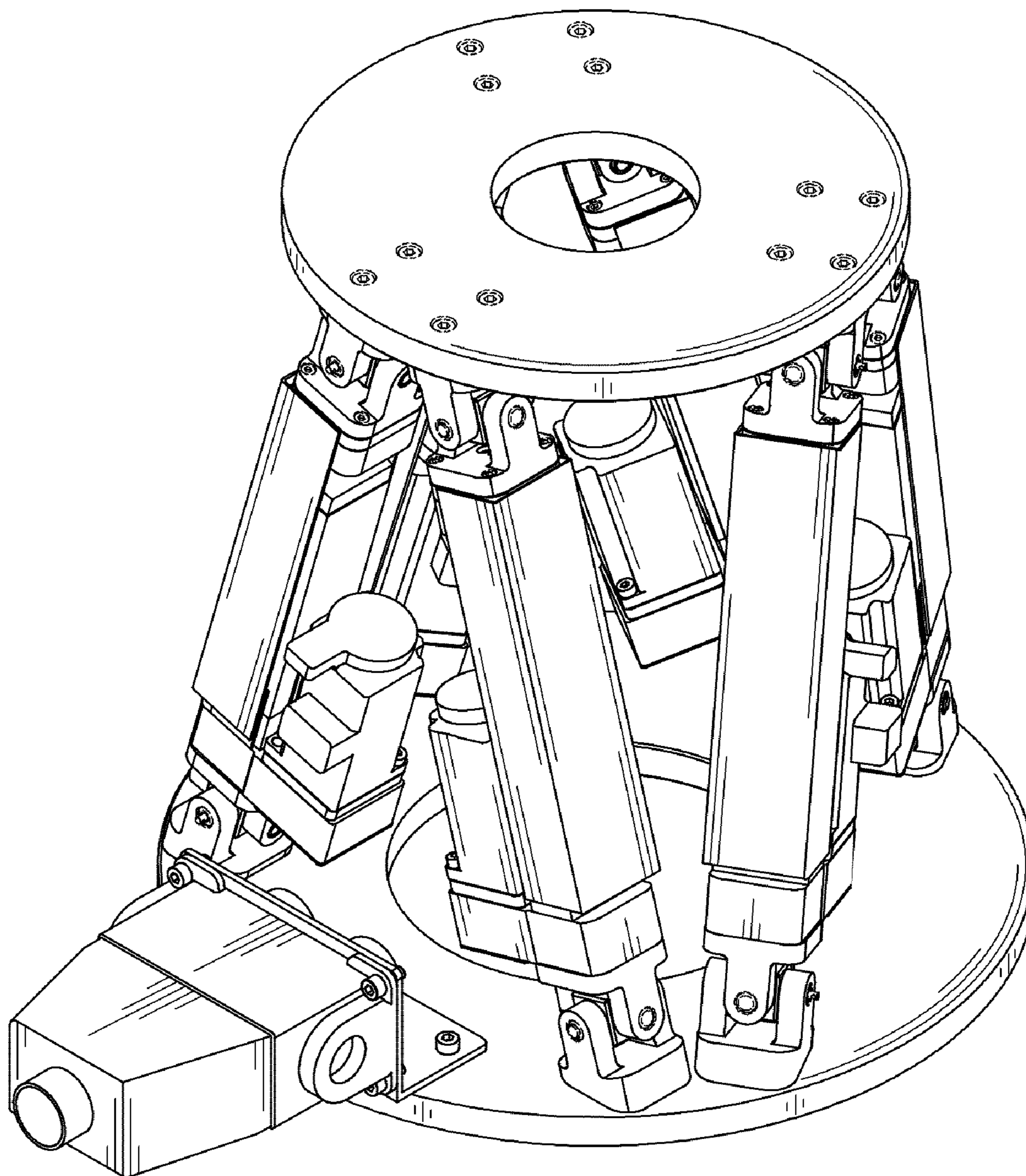


FIG. 1

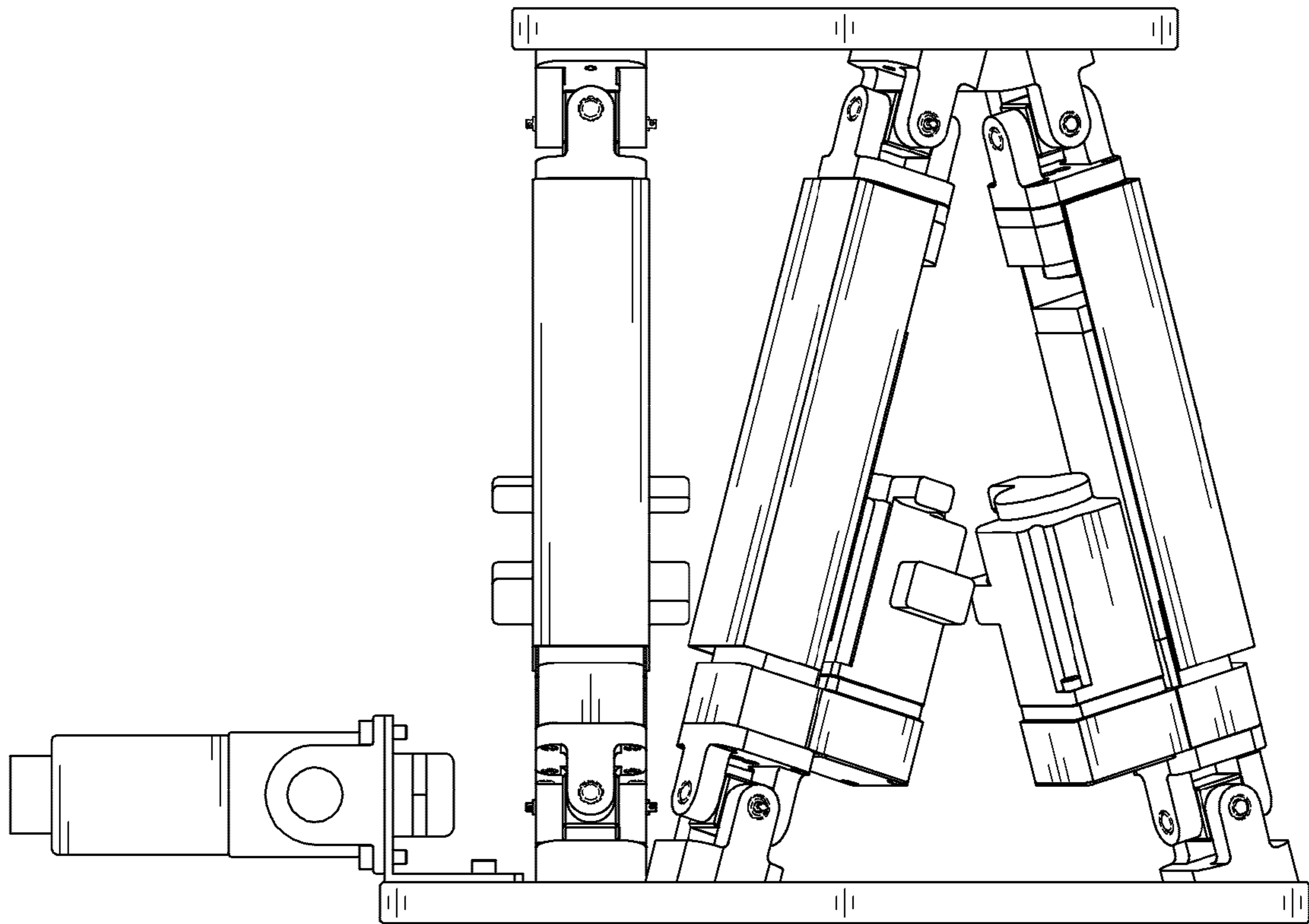


FIG. 2

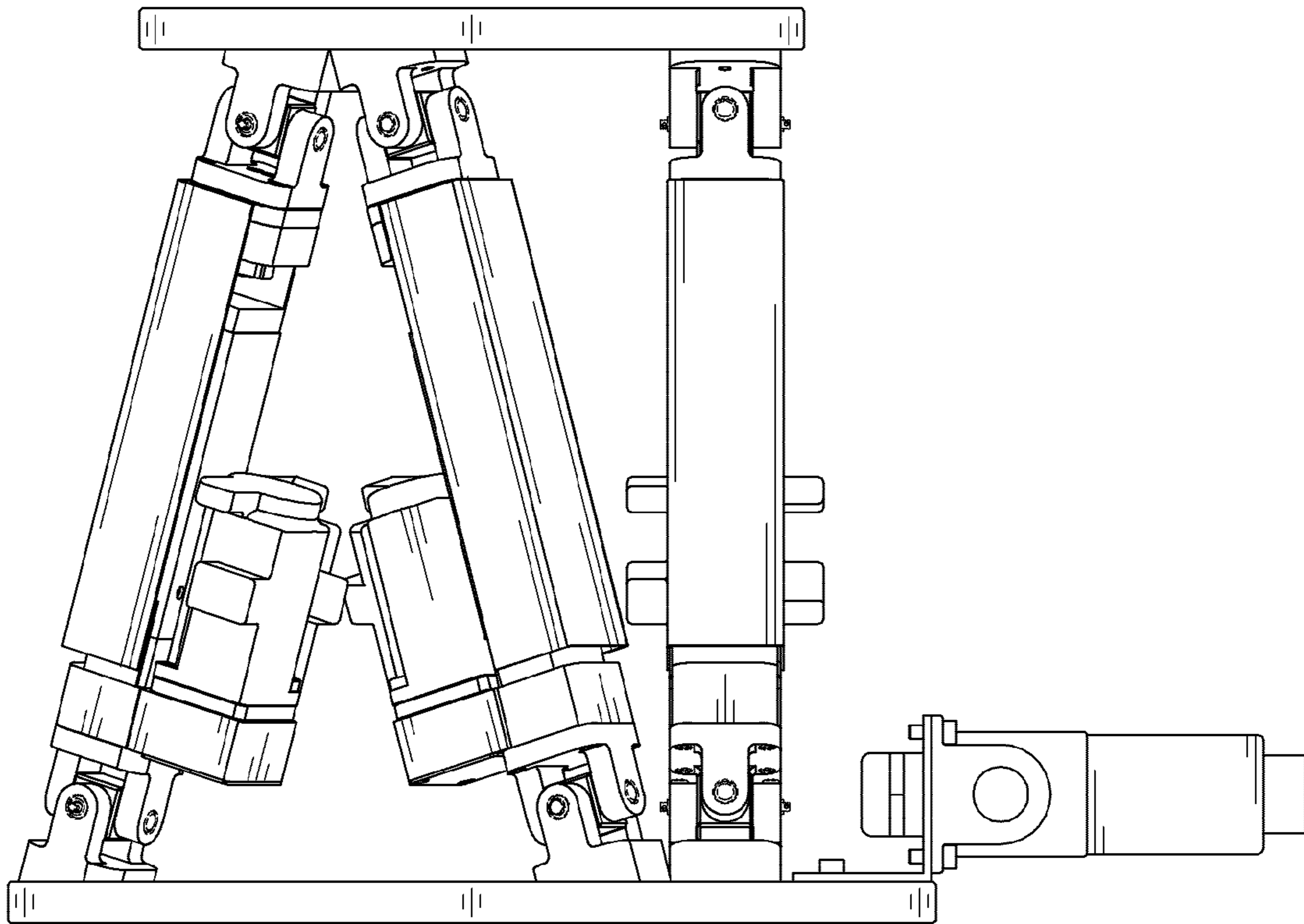


FIG. 3

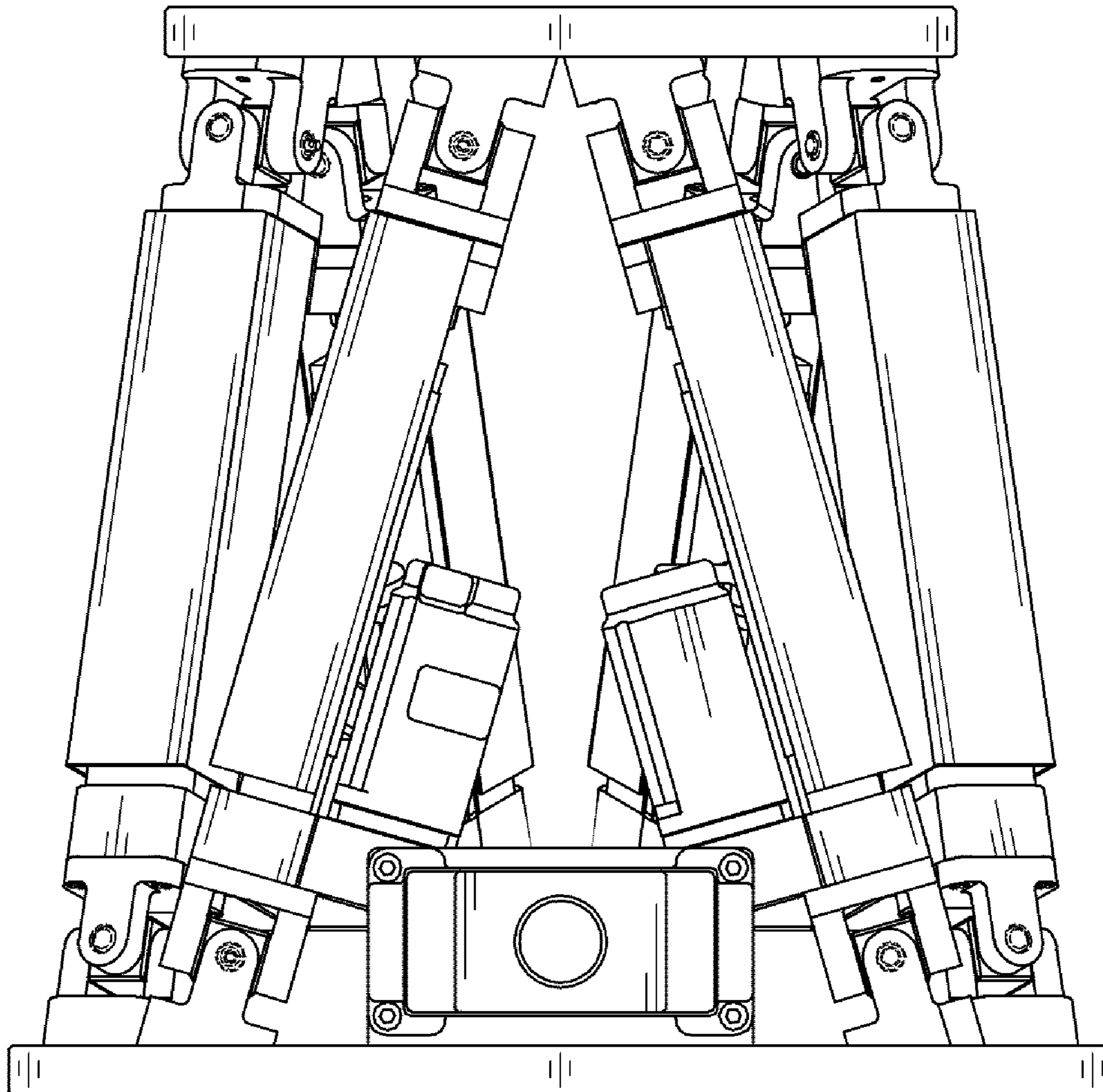


FIG. 4

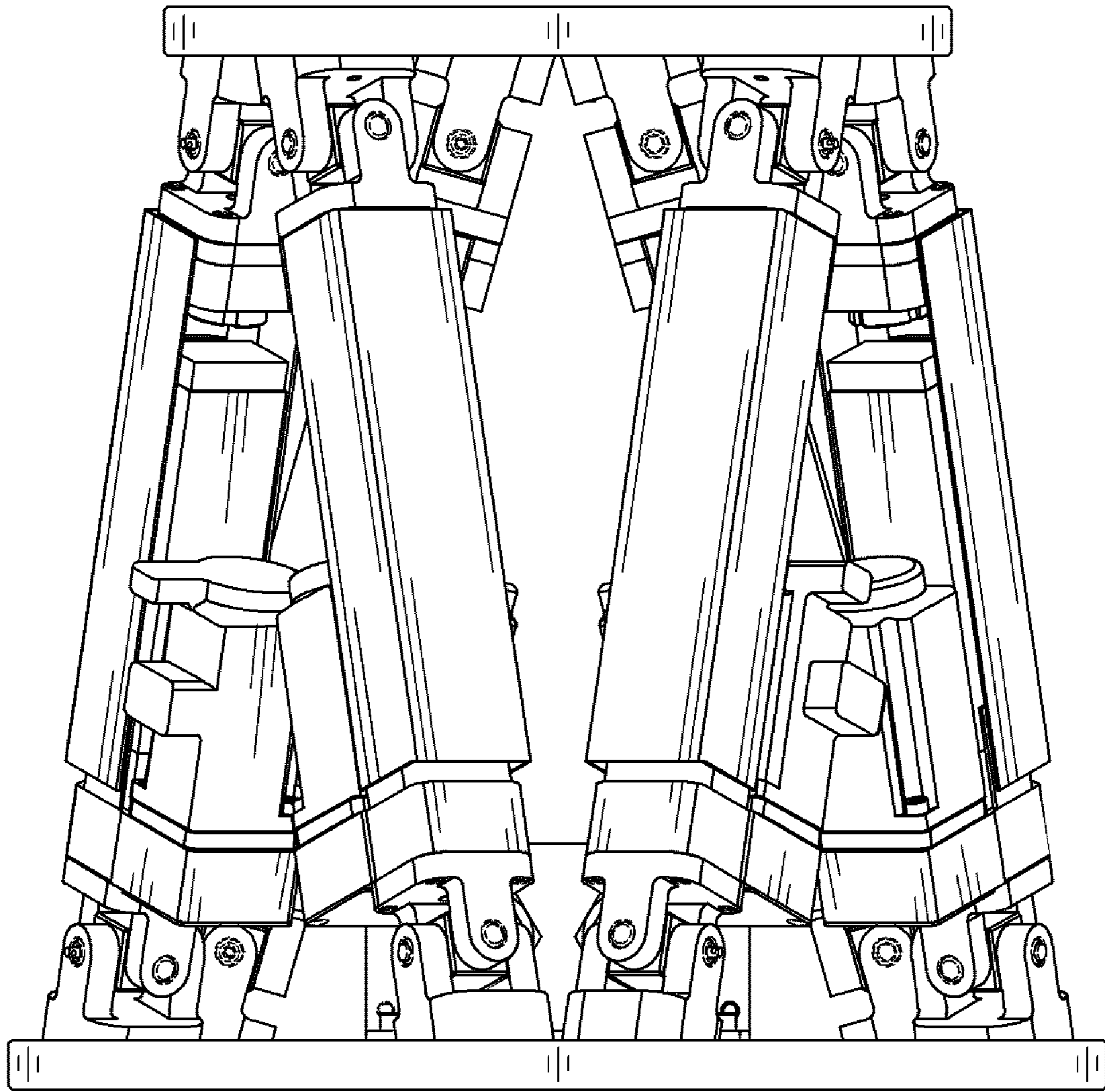


FIG. 5

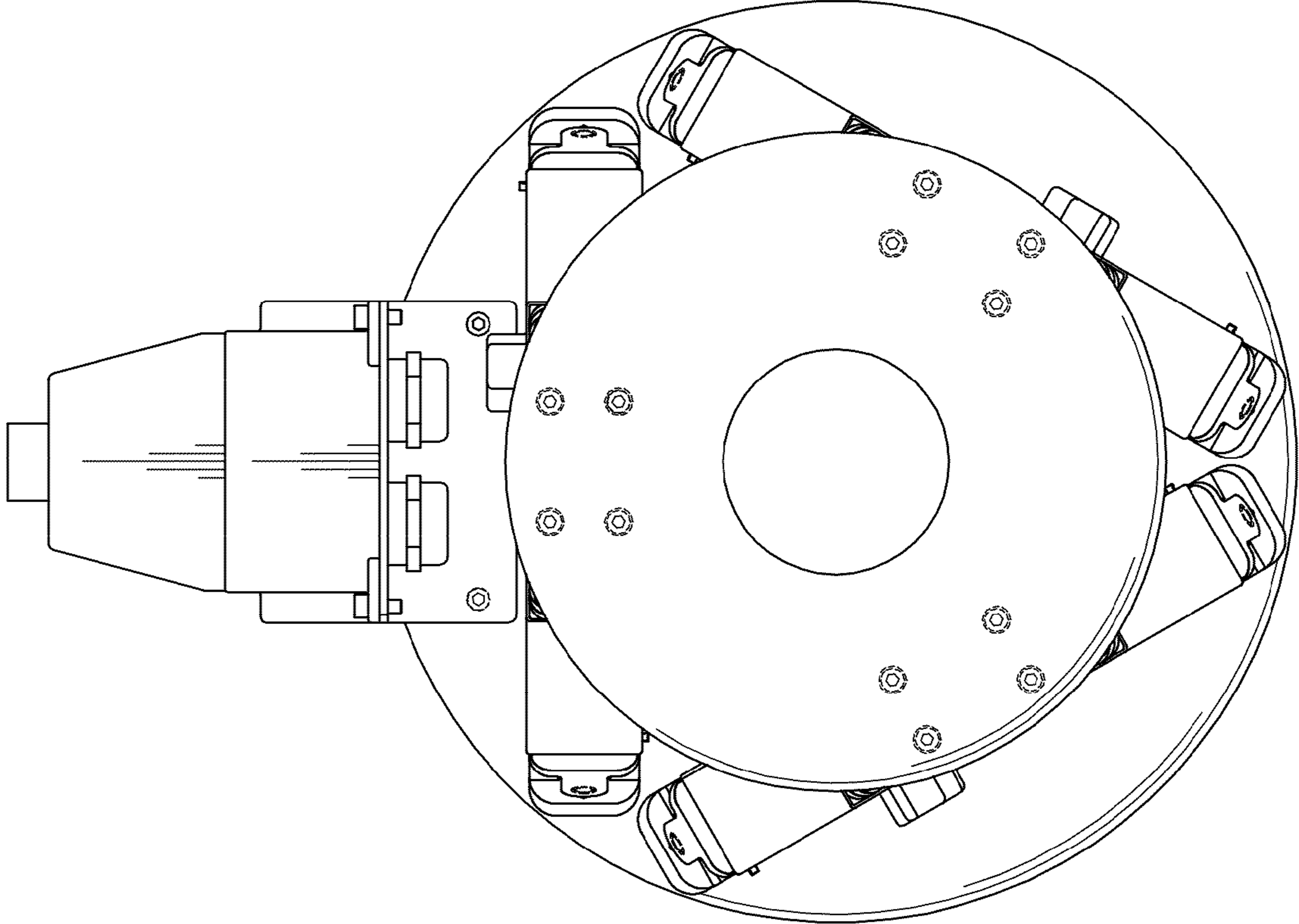


FIG. 6

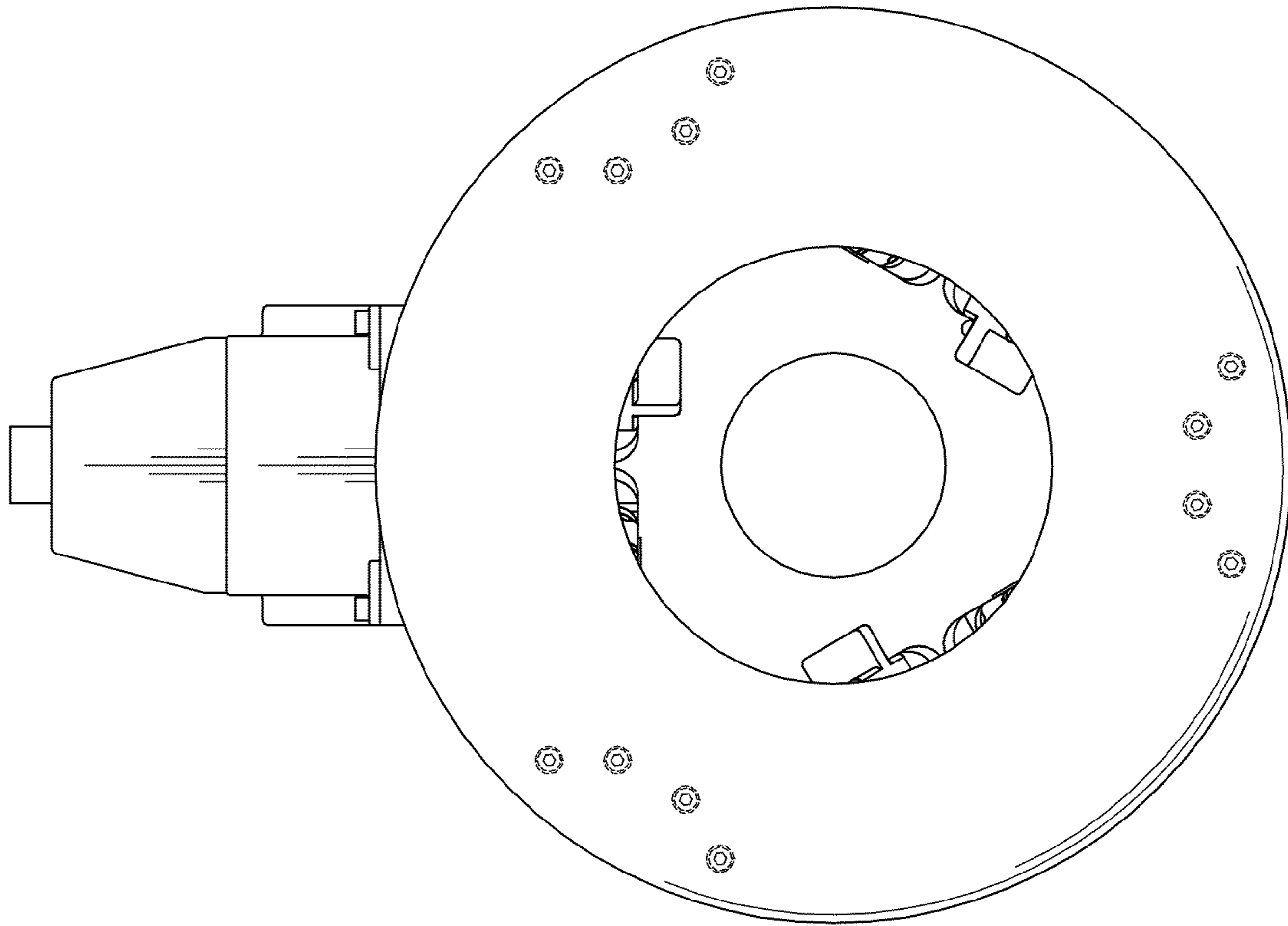


FIG. 7