



US00D642763S

(12) **United States Design Patent**
Liang

(10) **Patent No.:** **US D642,763 S**

(45) **Date of Patent:** **** Aug. 2, 2011**

(54) **TROLLEY FOR MEDICAL EQUIPMENT**

(56) **References Cited**

(75) Inventor: **Xiaoming Liang**, Shenzhen (CN)

U.S. PATENT DOCUMENTS

(73) Assignee: **Koninklijke Philips Electronics N.V.**,
Eindhoven (NL)

D481,188 S *	10/2003	DiGiacomo et al.	D34/21
D553,324 S *	10/2007	Lieblein	D34/14
D582,621 S *	12/2008	Girard	D34/14
D625,071 S *	10/2010	Shigeno et al.	D34/17
2010/0213679 A1 *	8/2010	Smith et al.	280/47.35

(**) Term: **14 Years**

* cited by examiner

(21) Appl. No.: **29/375,398**

Primary Examiner — Cynthia Ramirez

(22) Filed: **Sep. 22, 2010**

(57) **CLAIM**
The ornamental design for a trolley for medical equipment, as shown.

(30) **Foreign Application Priority Data**

DESCRIPTION

Mar. 23, 2010 (EM) 001685470-0002

(51) **LOC (9) Cl.** **12-02**

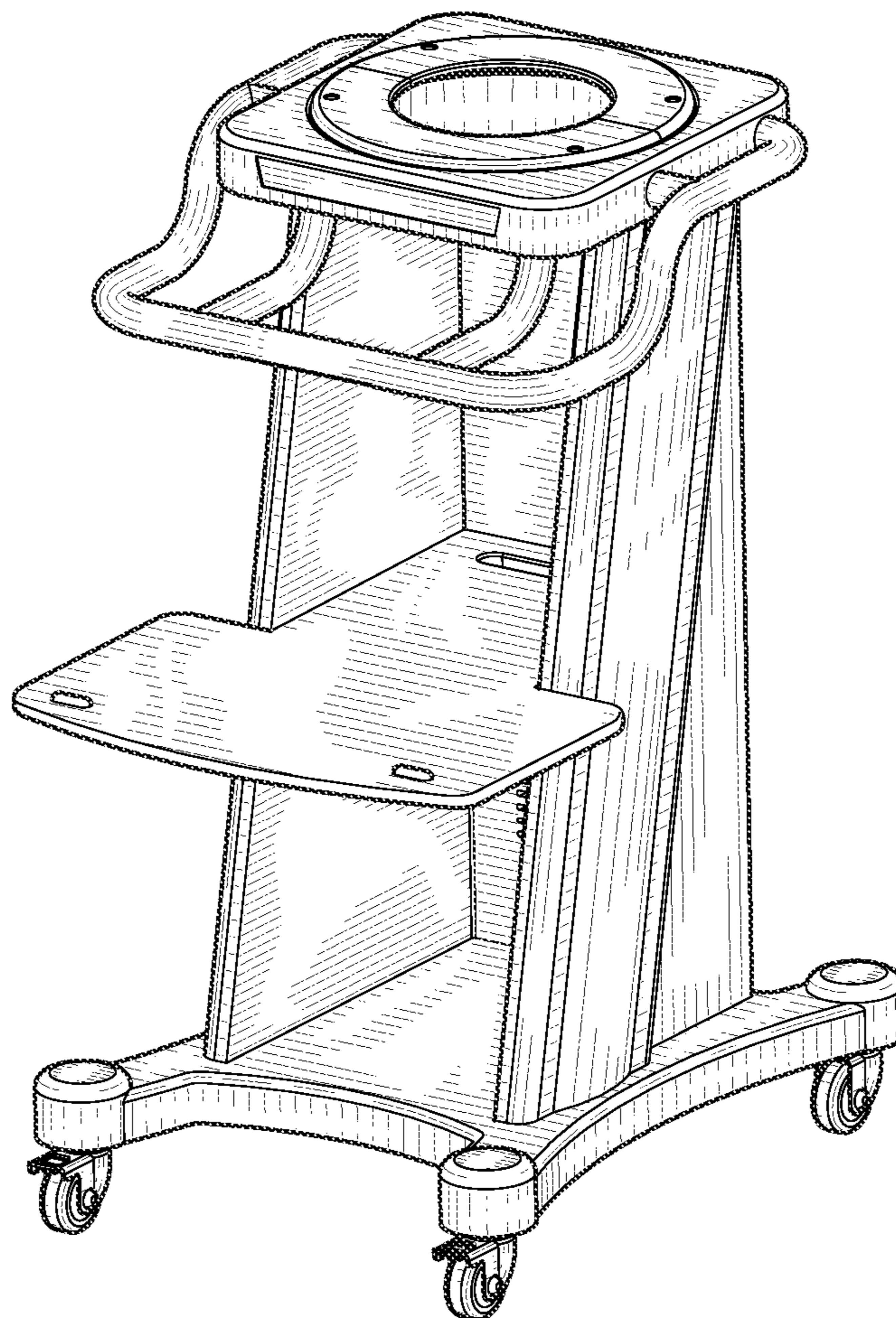
(52) **U.S. Cl.** **D34/14**

(58) **Field of Classification Search** D34/12-27;
280/47.35, 727, 47.34, 47.28, 79.11, 79.2;
D6/477, 479

FIG. 1 is a perspective view showing my design;
FIG. 2 is a front elevational view thereof;
FIG. 3 is a rear elevational view thereof;
FIG. 4 is a right side elevational view thereof;
FIG. 5 is a left side elevational view thereof;
FIG. 6 is a top plan view thereof; and,
FIG. 7 is a bottom plan view thereof.

See application file for complete search history.

1 Claim, 5 Drawing Sheets



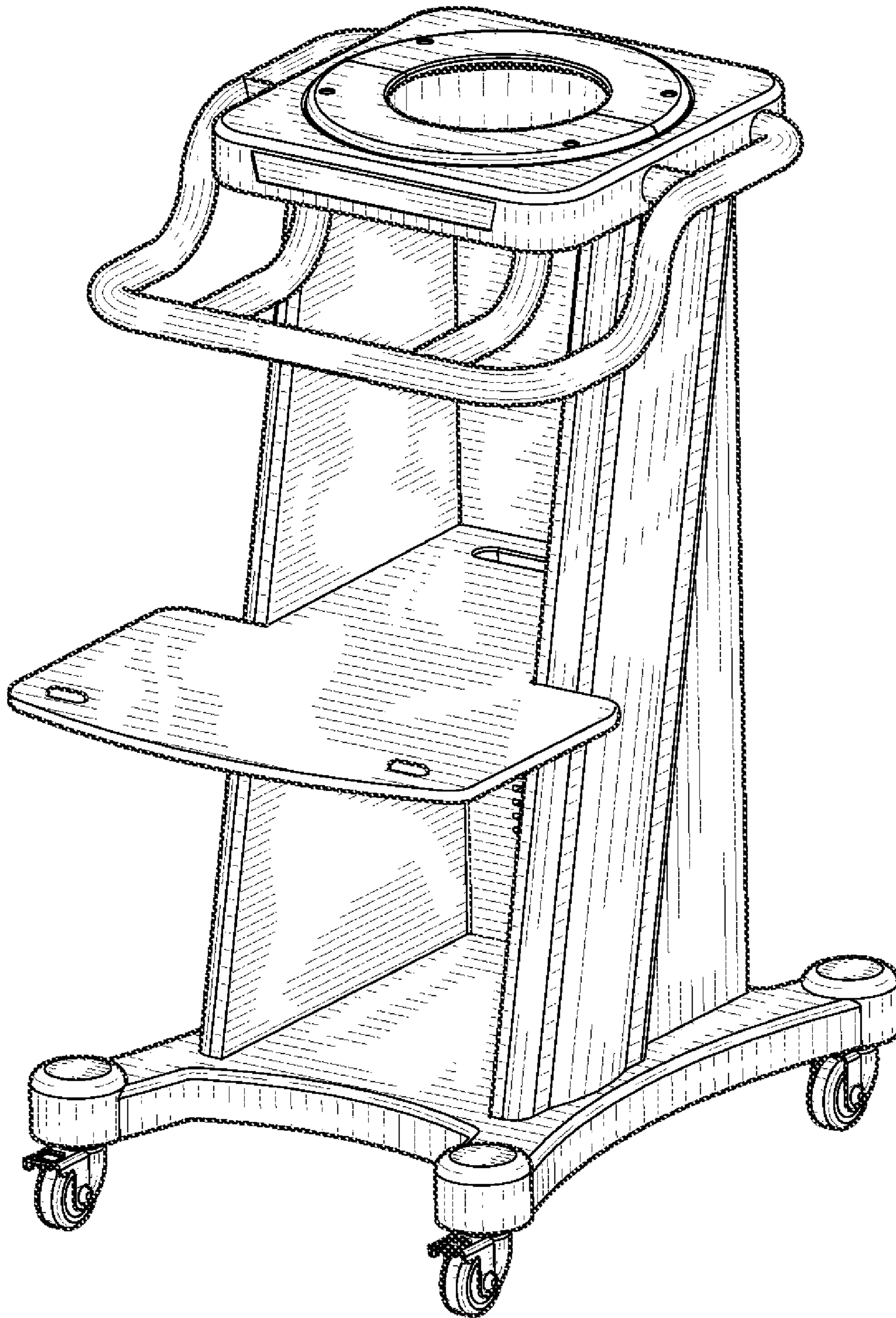


FIG. 1

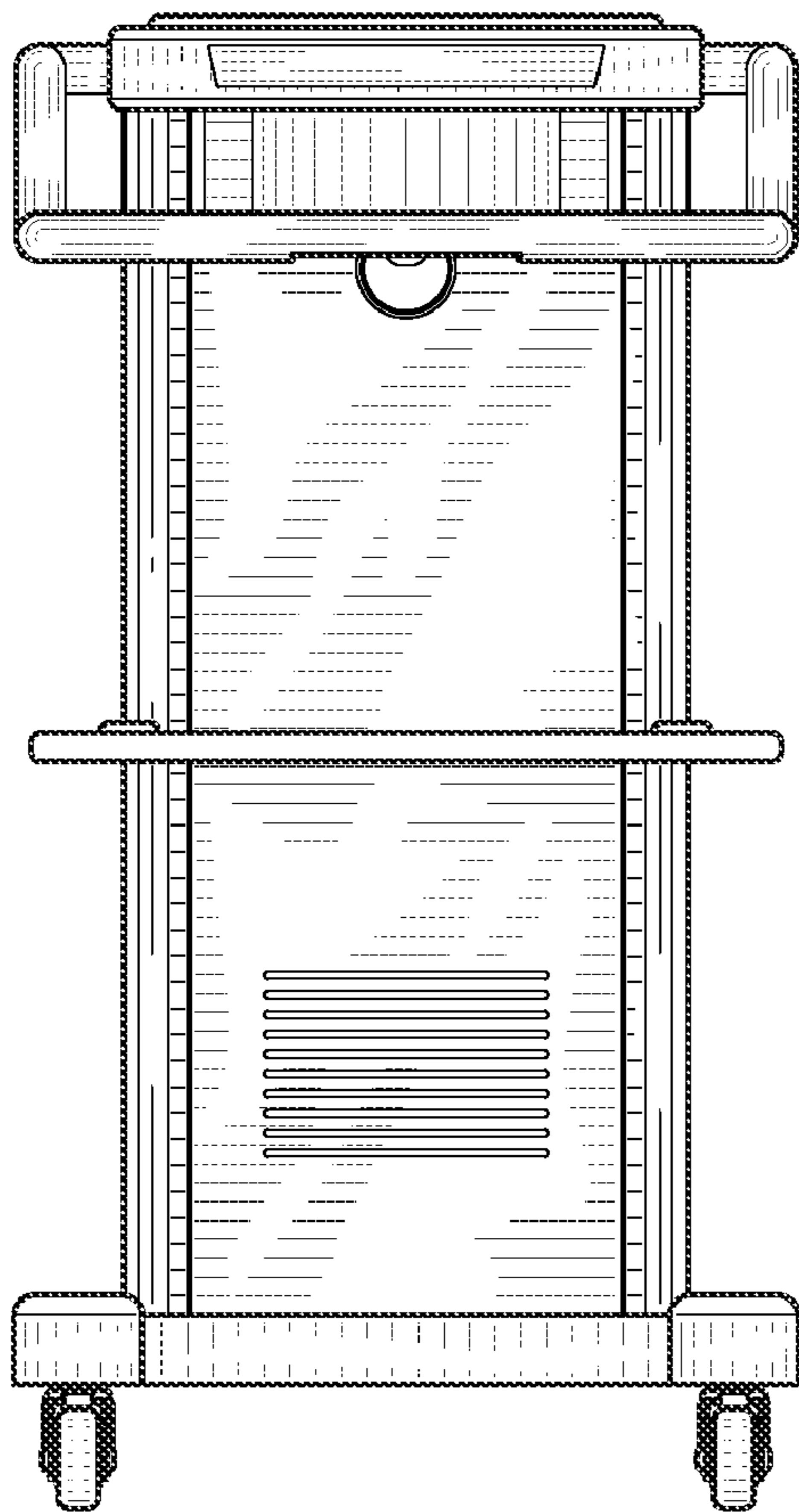


FIG. 2

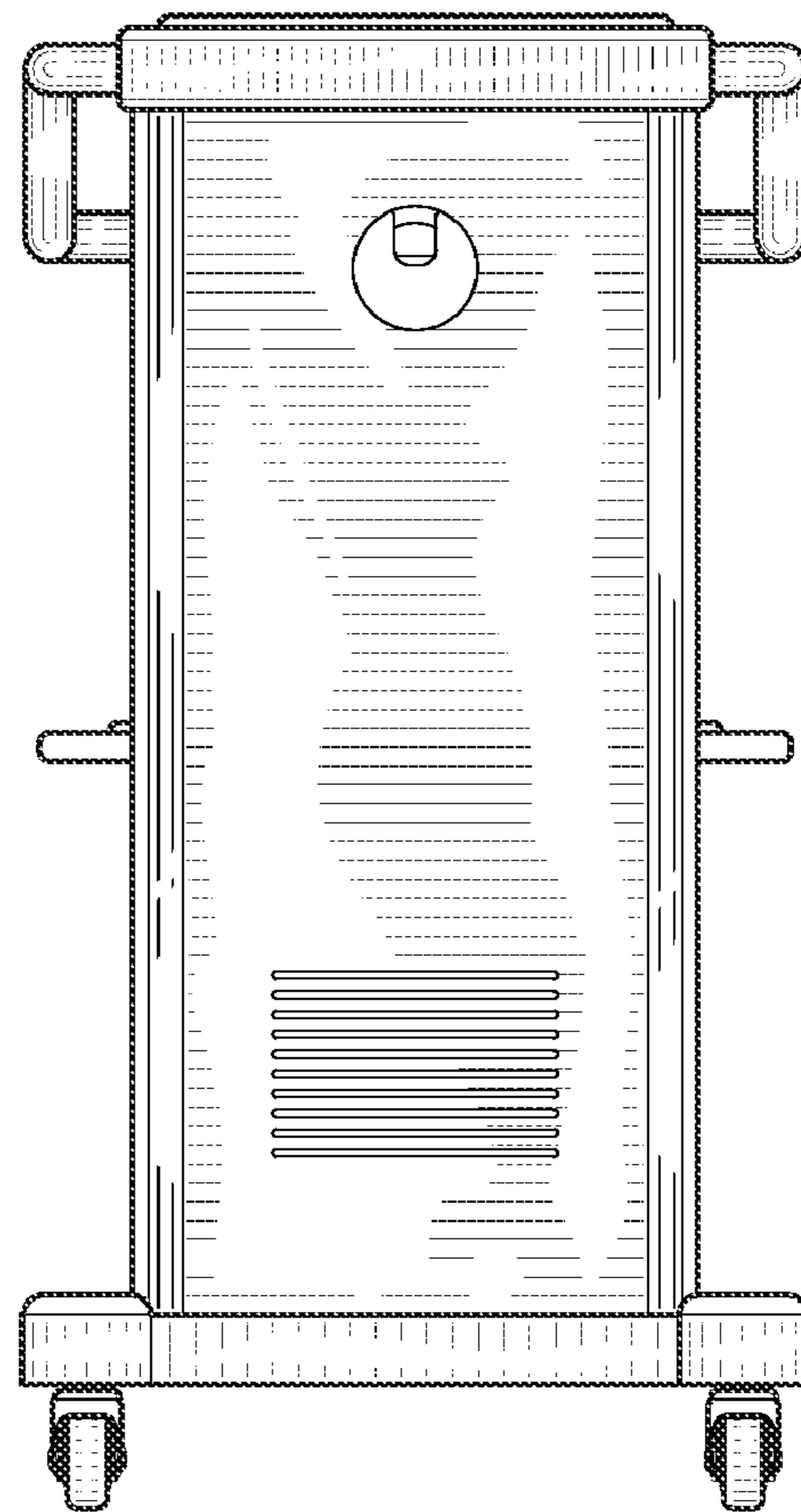


FIG. 3

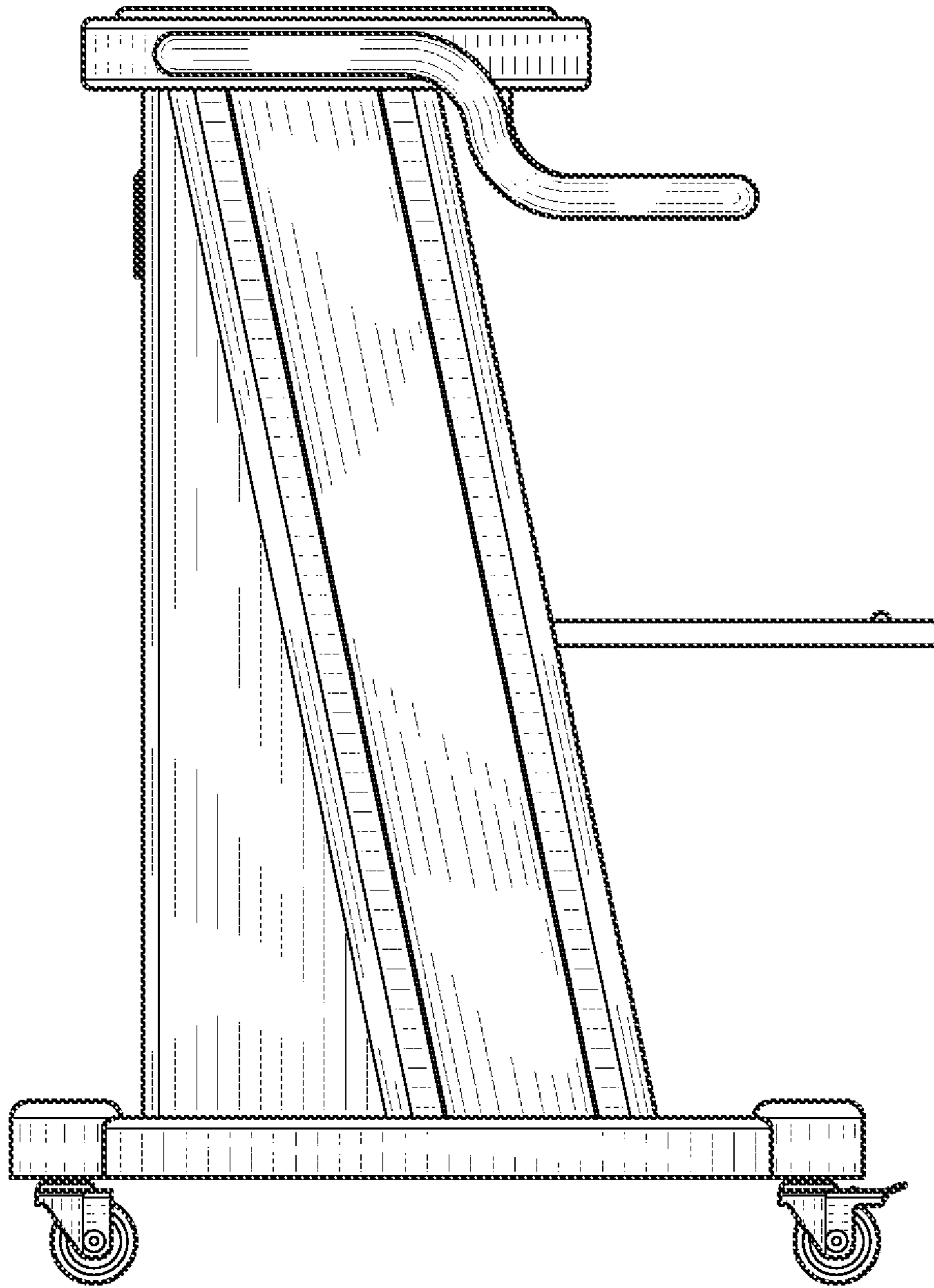


FIG. 4

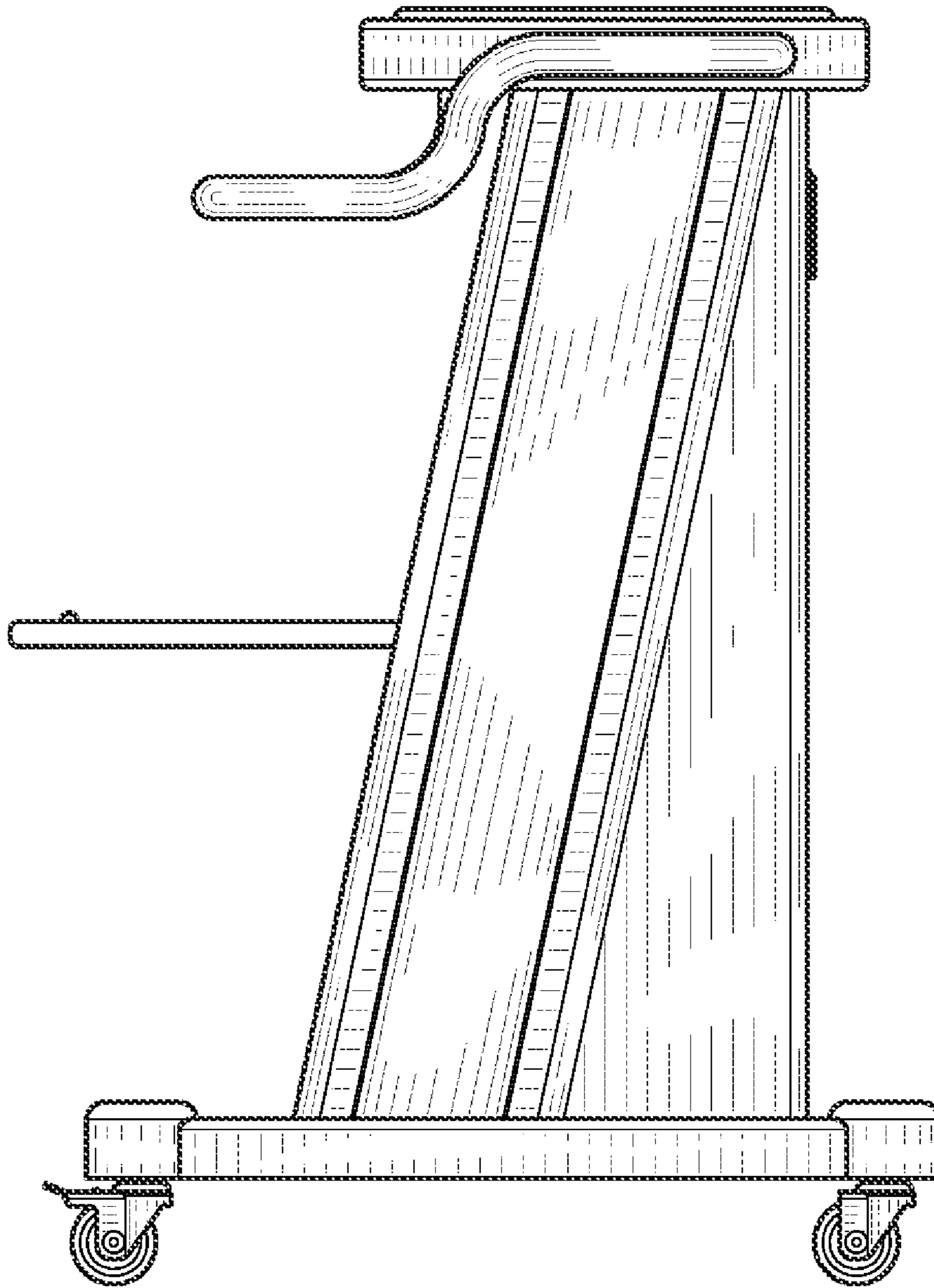


FIG. 5

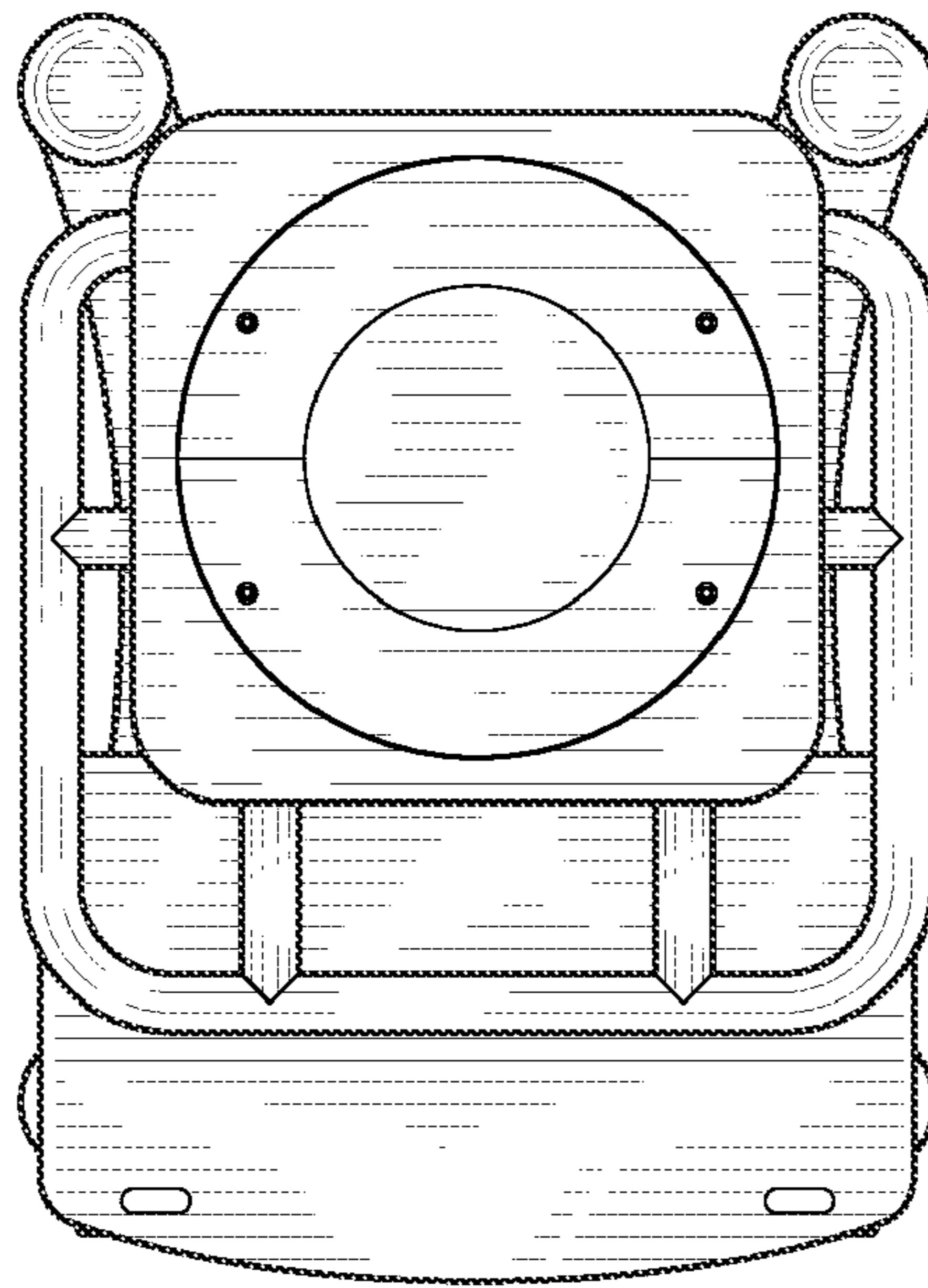


FIG. 6

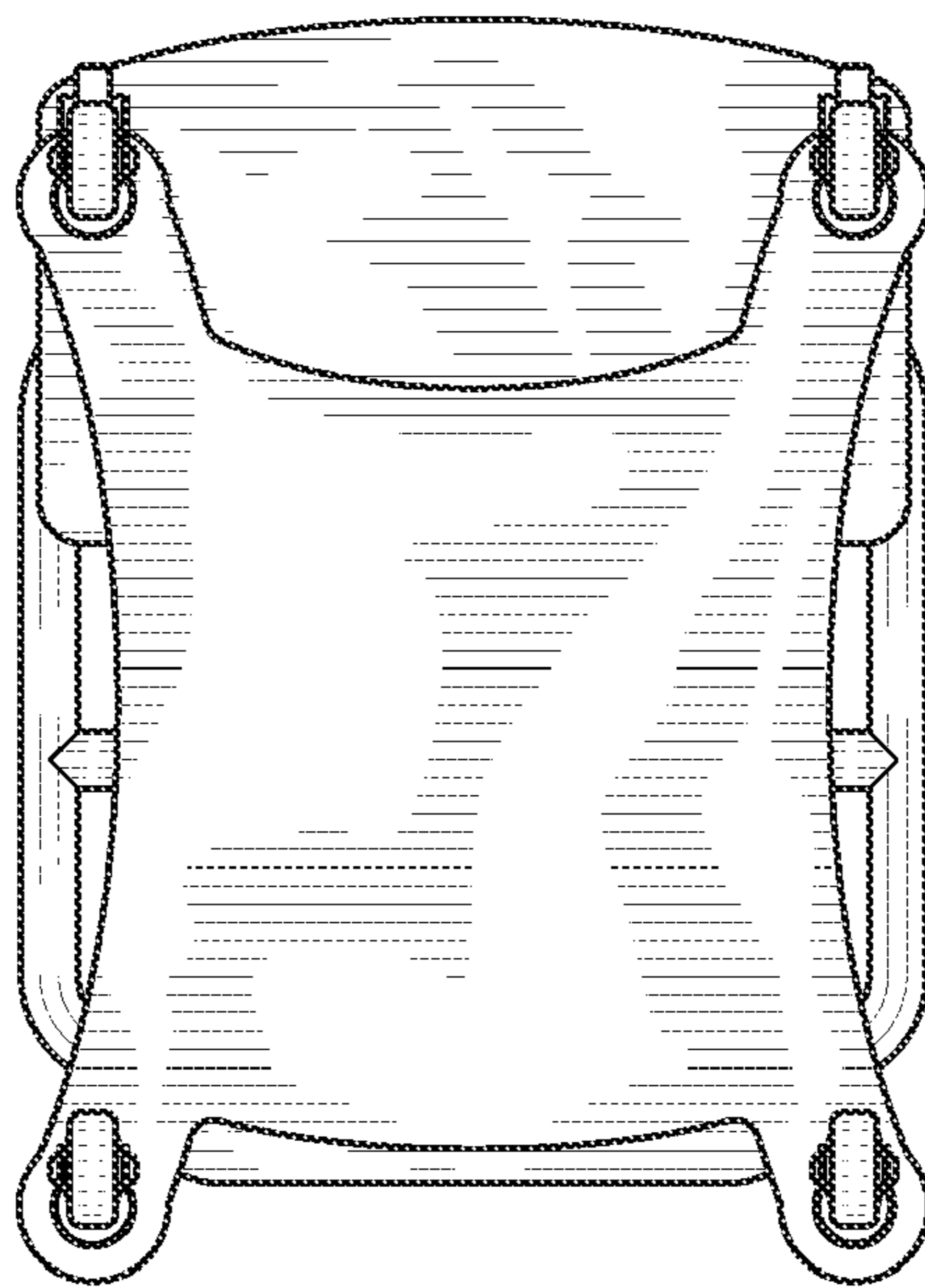


FIG. 7