

US00D642760S

(12) **United States Design Patent**
Lacotta et al.

(10) **Patent No.:** **US D642,760 S**

(45) **Date of Patent:** **** Aug. 2, 2011**

(54) **DUST MOP HEAD**

(75) Inventors: **Paul Lacotta**, Tenafly, NJ (US); **William Fiebel**, West Orange, NJ (US); **John Moldauer**, East Meadow, NY (US)

(73) Assignee: **Unger Marketing International, LLC.**, Bridgeport, CT (US)

(**) Term: **14 Years**

(21) Appl. No.: **29/212,644**

(22) Filed: **Sep. 3, 2004**

(51) **LOC (9) Cl.** **04-01**

(52) **U.S. Cl.** **D32/50**

(58) **Field of Classification Search** D32/35,
D32/40, 50, 51, 52; 15/228, 229.6, 229.13,
15/1.51, 244.1, 244.4, 116, 116.2, 119.2,
15/209.1; D4/199

See application file for complete search history.

(56) **References Cited**

U.S. PATENT DOCUMENTS

1,796,973	A *	3/1931	Wright	404/45
2,252,407	A *	8/1941	Preisser	15/147.1
D138,041	S *	6/1944	Kautenberg	D32/50
2,873,462	A *	2/1959	Green	15/119.2
D232,617	S *	9/1974	Albrecht	D32/50
D257,447	S *	10/1980	Kesler	D28/7
4,304,025	A *	12/1981	Christensen	15/230.11
D283,953	S *	5/1986	Jacobson	D4/122
D298,072	S *	10/1988	Stirling	D32/40
5,105,752	A *	4/1992	Pompei et al.	114/222
5,381,579	A *	1/1995	Sartori	15/119.2
5,429,678	A *	7/1995	Fany	134/6
D362,094	S *	9/1995	Stephenson	D32/45
D364,715	S *	11/1995	Amram et al.	D32/35
D403,818	S *	1/1999	Chang	D32/50
D403,820	S *	1/1999	Chang	D32/50

D430,716	S *	9/2000	Denney	D32/40
D435,119	S *	12/2000	Whitson	D25/113
D435,710	S *	12/2000	Denney	D32/40
D435,949	S *	1/2001	Denney	D32/40
D436,702	S *	1/2001	Denney	D32/40
6,204,584	B1 *	3/2001	Muszynski	310/156.08
D451,028	S *	11/2001	Guseo	D9/522
6,446,299	B1 *	9/2002	Kaletka	15/119.2
D475,619	S *	6/2003	Bomer	D9/417
6,571,419	B1 *	6/2003	Lee	15/244.2
D487,326	S *	3/2004	Stoddart et al.	D1/101
D516,262	S *	2/2006	Cowdery	D32/50
D525,403	S *	7/2006	Olsson et al.	D32/50
2002/0166187	A1 *	11/2002	Rowe	15/160
2004/0148722	A1 *	8/2004	Lin	15/119.2

* cited by examiner

Primary Examiner — Cathron Brooks

Assistant Examiner — Barbara Fox

(74) *Attorney, Agent, or Firm* — Ohlandt, Greeley, Ruggiero & Perle, L.L.P.

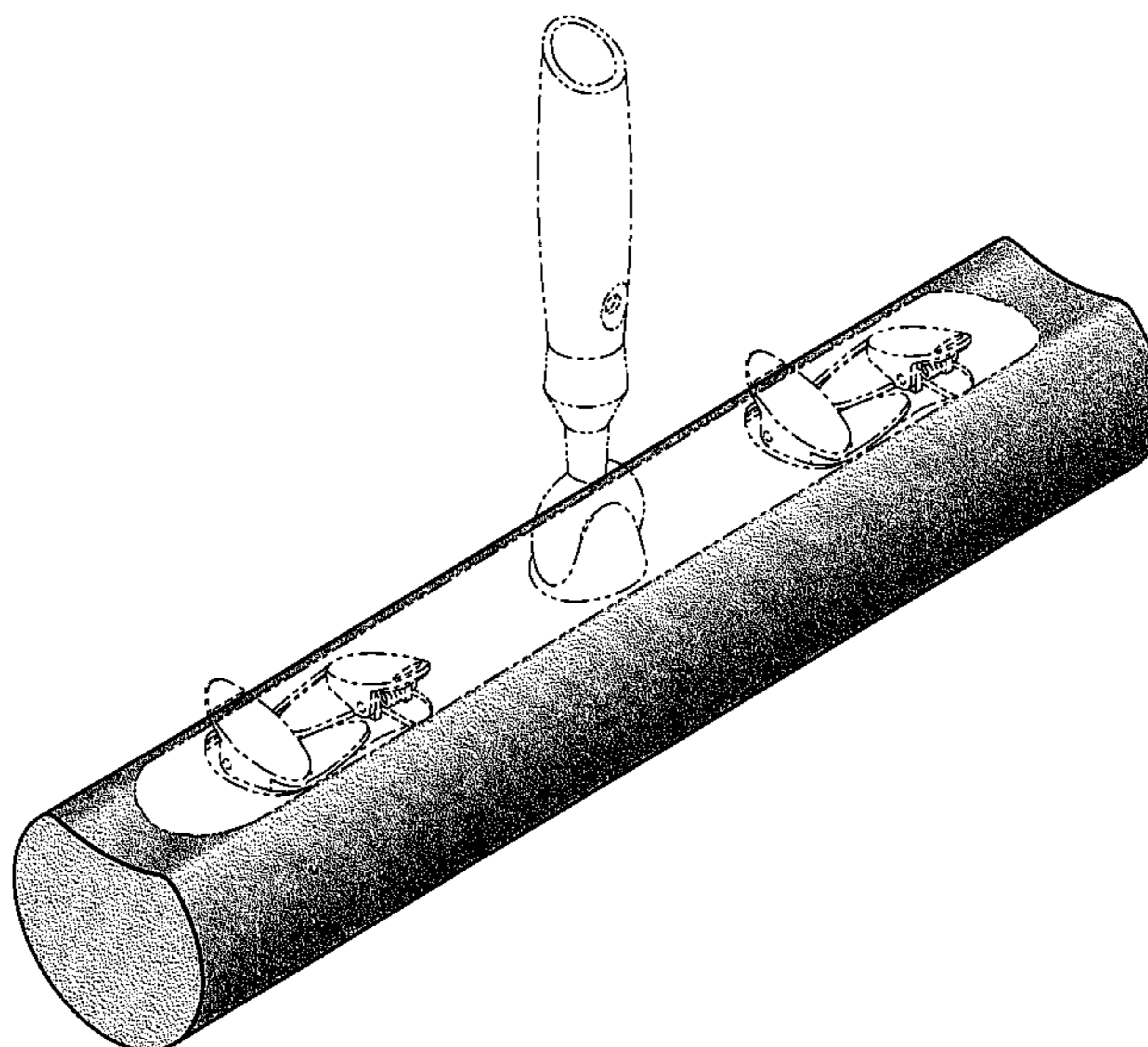
(57) **CLAIM**

The ornamental design for the dust mop head, as shown and described.

DESCRIPTION

FIG. 1 is an isometric view of a dust mop head according to the present invention;
FIG. 2 is a top view of the dust mop head of FIG. 1;
FIG. 3 is bottom view of the dust mop head of FIG. 1;
FIG. 4 is a first side view of the dust mop head of FIG. 1, the opposite side being identical thereto; and,
FIG. 5 is a first end view of the dust mop head of FIG. 1, the opposite end being identical thereto.
The broken line showing of portions of a dust mop head depict environmental structure and form no part of the claimed design.

1 Claim, 3 Drawing Sheets



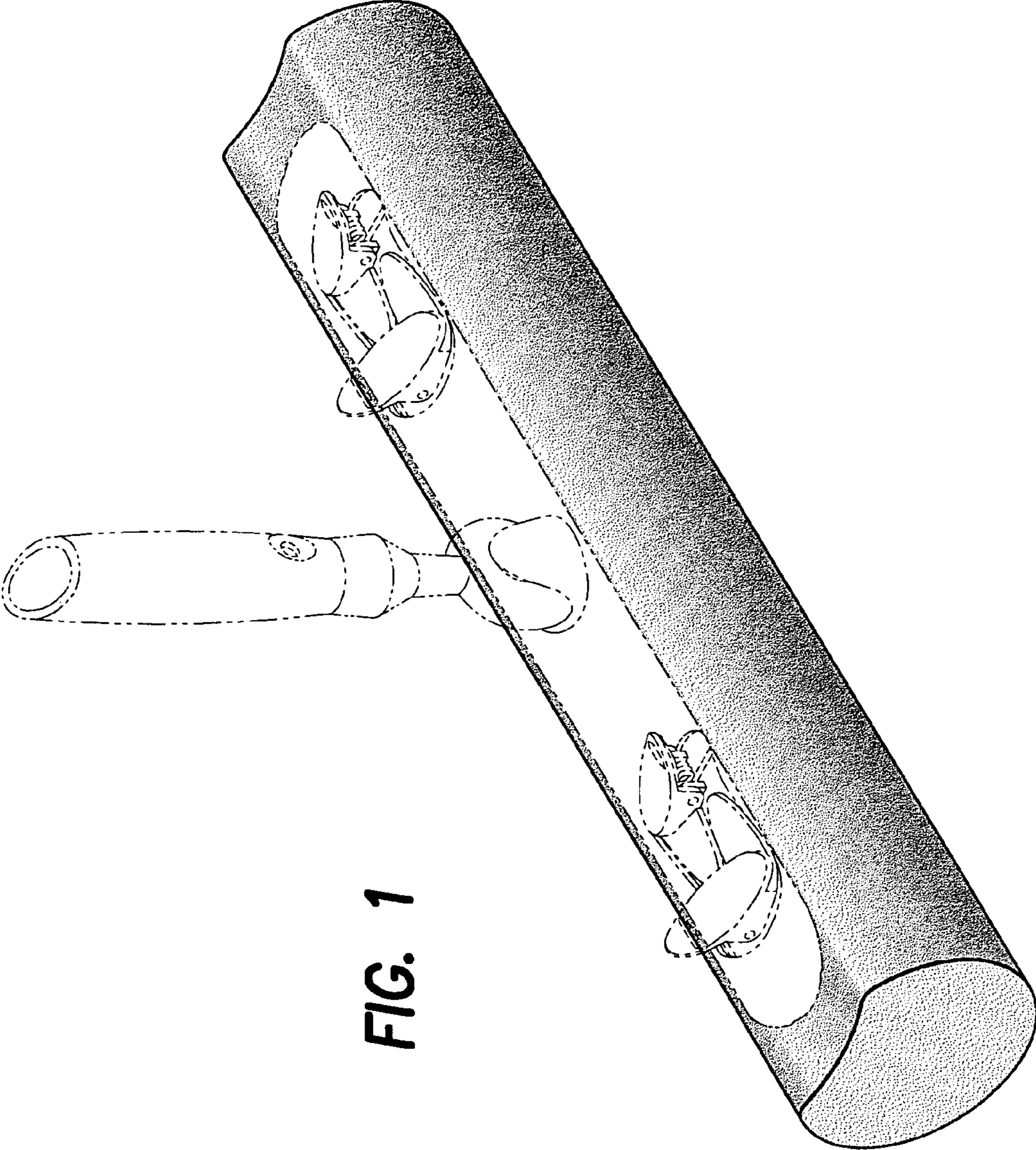


FIG. 1

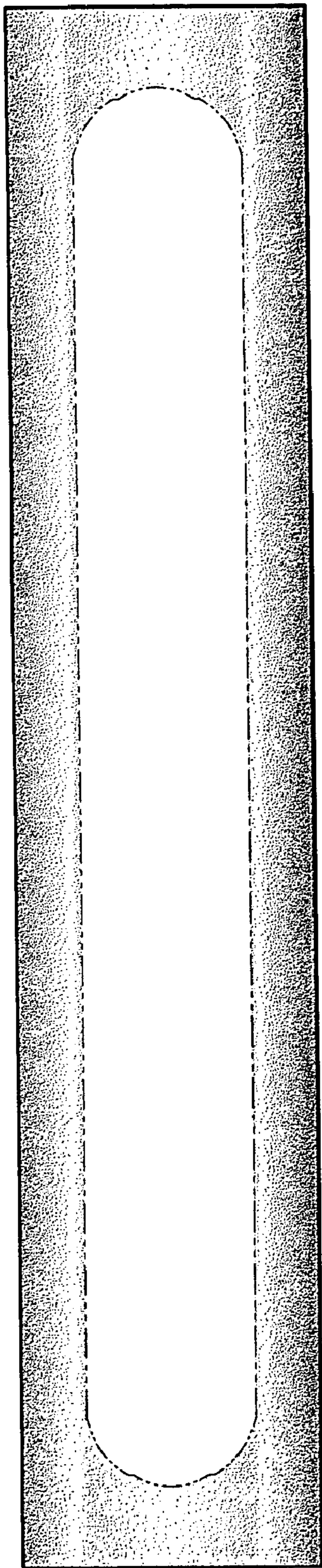


FIG. 2

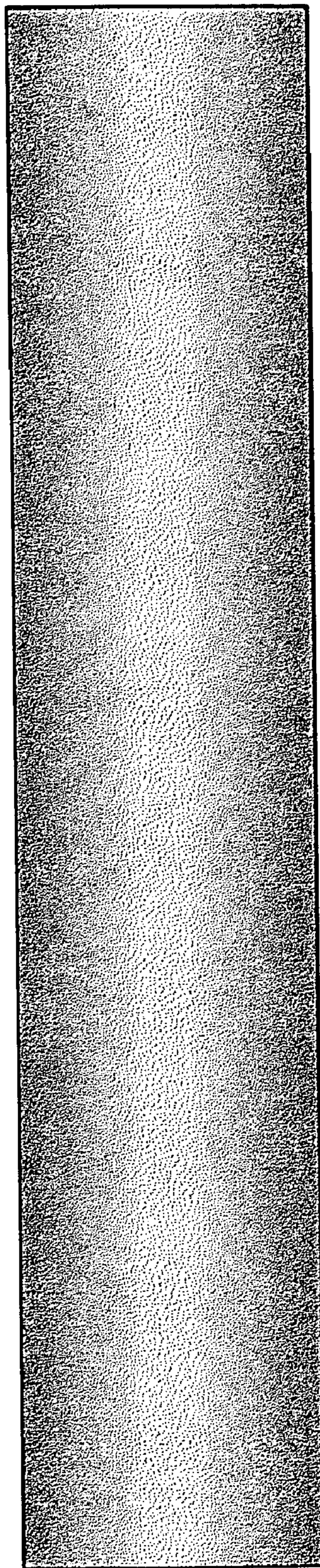


FIG. 3

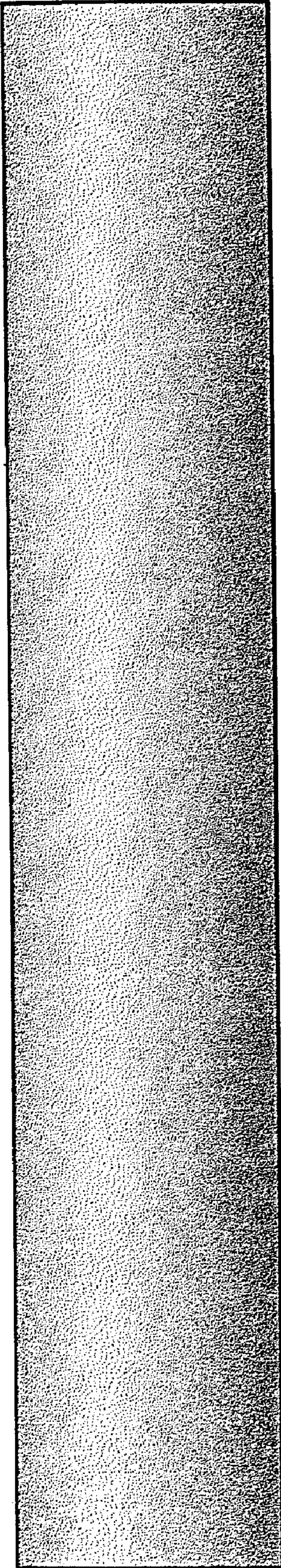


FIG. 4

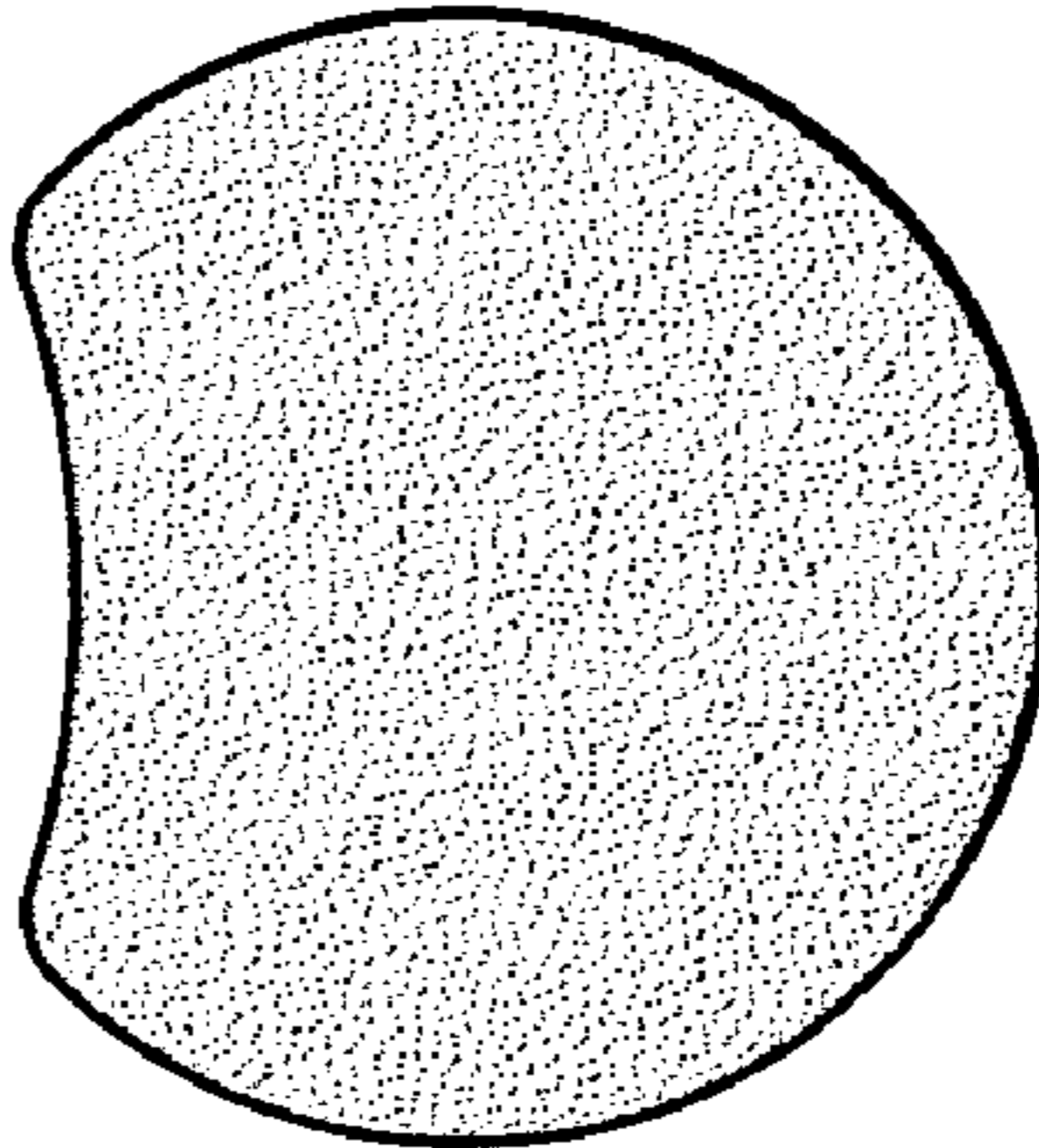


FIG. 5