



US00D642756S

(12) **United States Design Patent**
Fujiwara et al.

(10) **Patent No.:** **US D642,756 S**

(45) **Date of Patent:** **** Aug. 2, 2011**

(54) **OPTICAL CONNECTOR CLEANER**

(75) Inventors: **Kunihiko Fujiwara**, Sakura (JP);
Junichi Nakane, Sakura (JP)

(73) Assignee: **Fujikura Ltd.**, Tokyo (JP)

(**) Term: **14 Years**

(21) Appl. No.: **29/347,991**

(22) Filed: **Sep. 3, 2010**

(30) **Foreign Application Priority Data**

Mar. 5, 2010 (JP) 2010-005398
Mar. 5, 2010 (JP) 2010-005399

(51) **LOC (9) Cl.** **08-99**

(52) **U.S. Cl.** **D32/35**

(58) **Field of Classification Search** D32/35,
D32/40, 45, 52; D4/146, 114, 121, 127,
D4/130, 132-133, 136, 138; 15/105.52,
15/107, 114, 118, 237, 142, 104.92, 21.1,
15/320-321, 323; 385/134

See application file for complete search history.

(56) **References Cited**

U.S. PATENT DOCUMENTS

D525,401 S * 7/2006 Kida D32/35
7,212,719 B2 * 5/2007 Fujiwara et al. 385/134
D609,867 S * 2/2010 Fujiwara D32/35
D610,319 S * 2/2010 Fujiwara D32/35
D623,369 S * 9/2010 Sugita et al. D32/35
2002/0131748 A1 * 9/2002 Sato 385/134

* cited by examiner

Primary Examiner — T. Chase Nelson

Assistant Examiner — Ania Dworzecka

(74) *Attorney, Agent, or Firm* — Nixon & Vanderhye P.C.

(57) **CLAIM**

The ornamental design for an optical connector cleaner, as shown and described.

DESCRIPTION

FIG. 1 is a perspective view of an optical connector cleaner according to a first embodiment of our new ornamental design;

FIG. 2 is a front elevation view thereof;

FIG. 3 is a rear elevation view thereof;

FIG. 4 is a top plan view thereof;

FIG. 5 is a bottom plan view thereof;

FIG. 6 is a left side elevation view thereof;

FIG. 7 is a right side elevation view thereof;

FIG. 8 is a bottom plan view thereof with the cap removed;

FIG. 9 is a perspective view of an optical connector cleaner according to a second embodiment of our new ornamental design;

FIG. 10 is a front elevation view thereof;

FIG. 11 is a rear elevation view thereof;

FIG. 12 is a top plan view thereof;

FIG. 13 is a bottom plan view thereof;

FIG. 14 is a left side elevation view thereof;

FIG. 15 is a right side elevation view thereof; and,

FIG. 16 is a bottom plan view thereof with the cap removed.

The broken lines showing environment or structure are for illustrative purposes only and form no part of the claimed design.

1 Claim, 16 Drawing Sheets

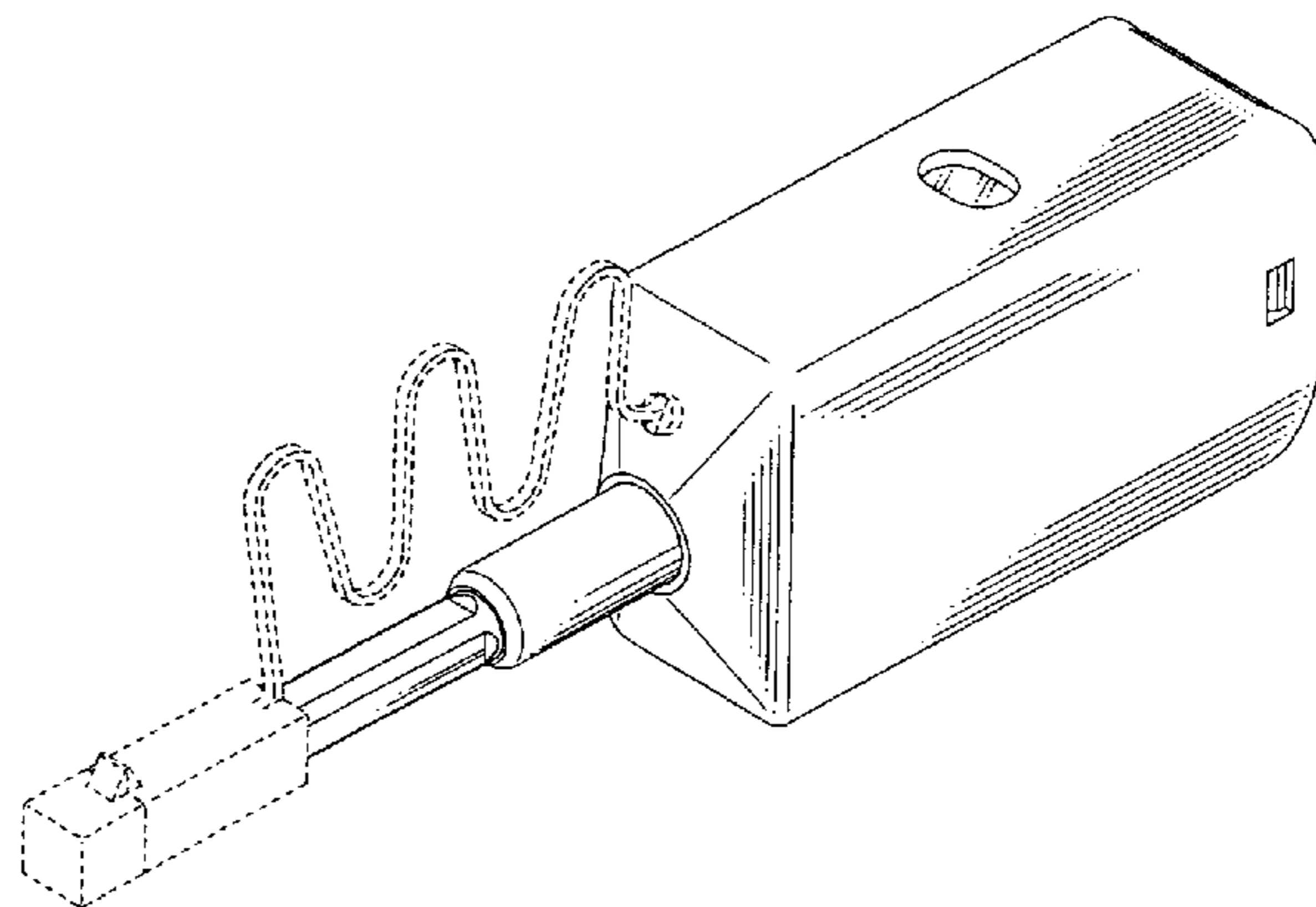
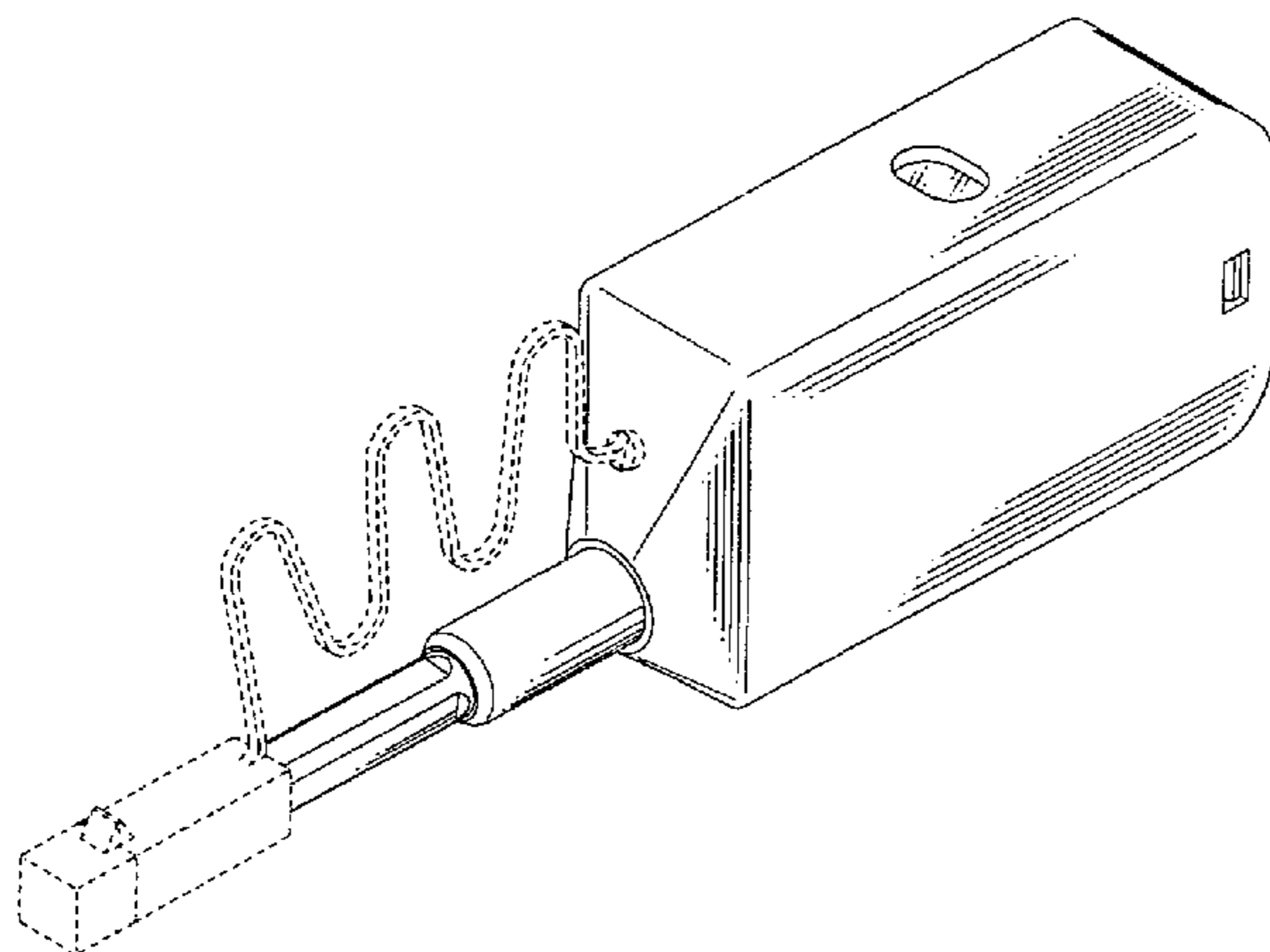


FIG. 1

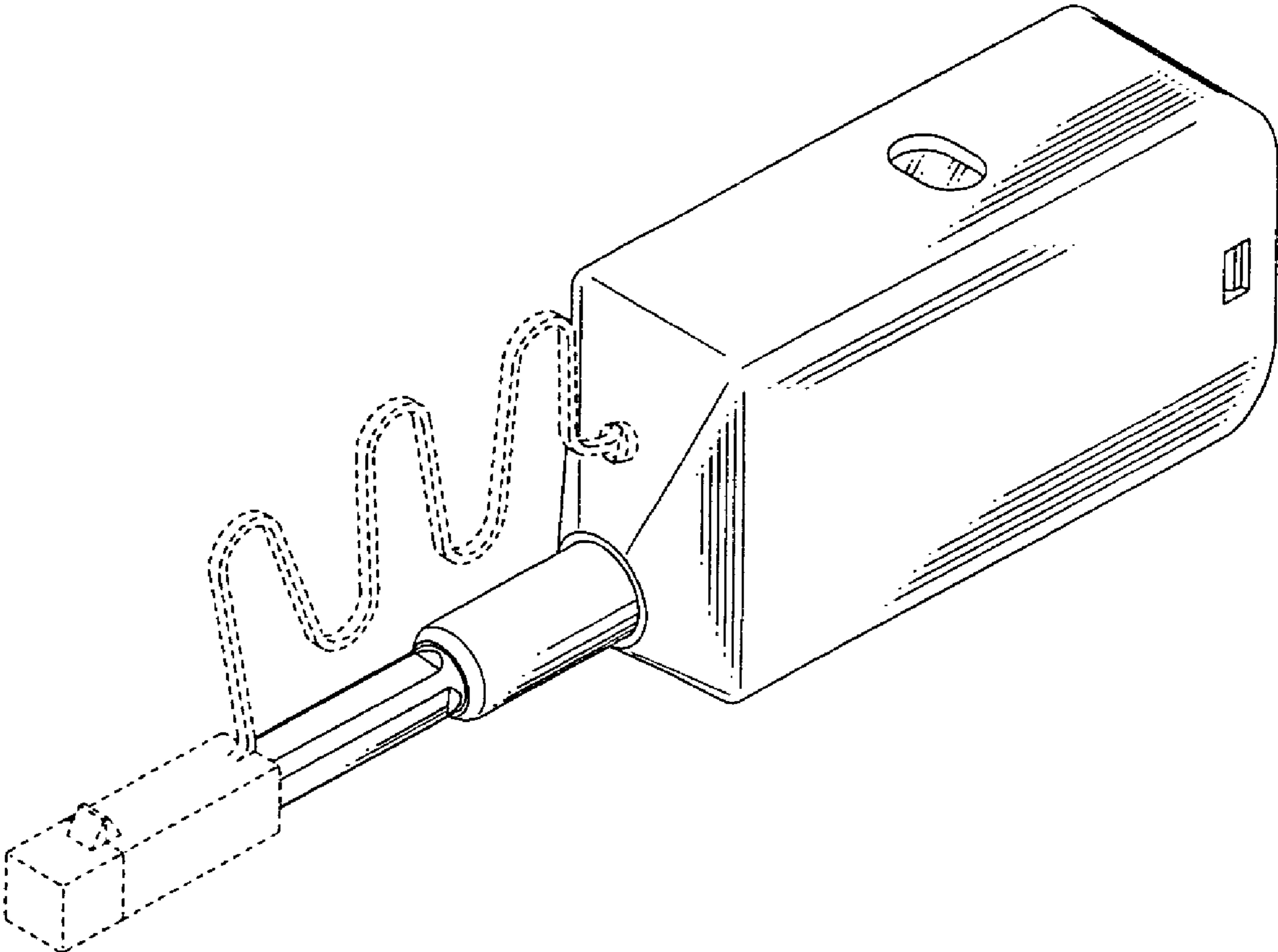


FIG. 2

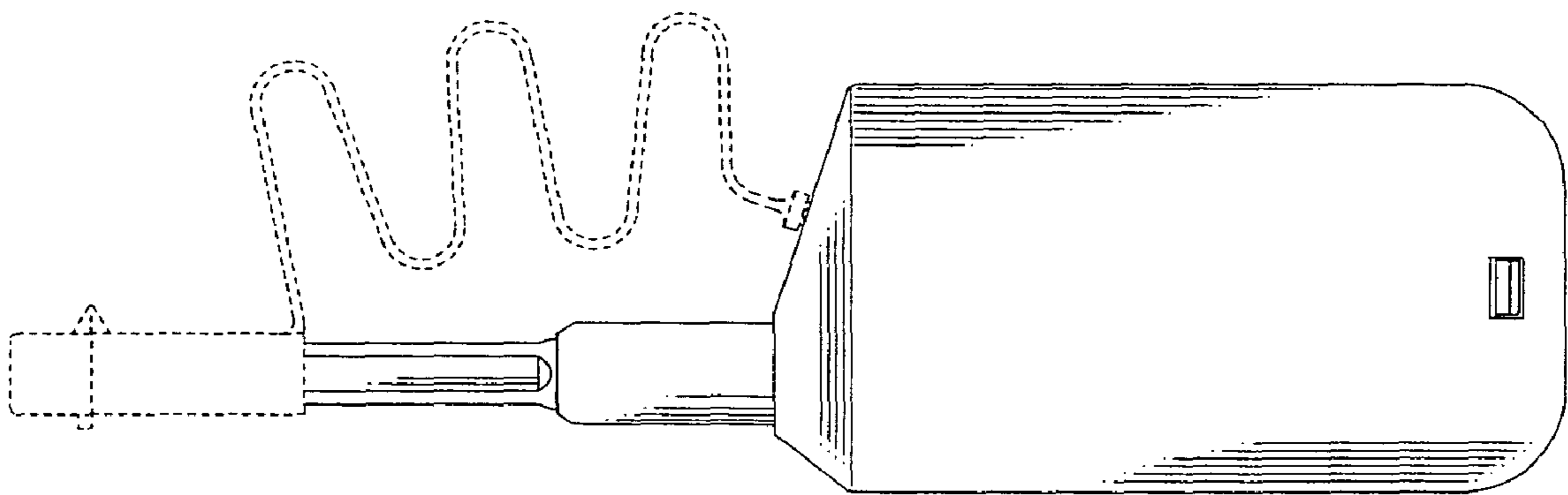


FIG. 3

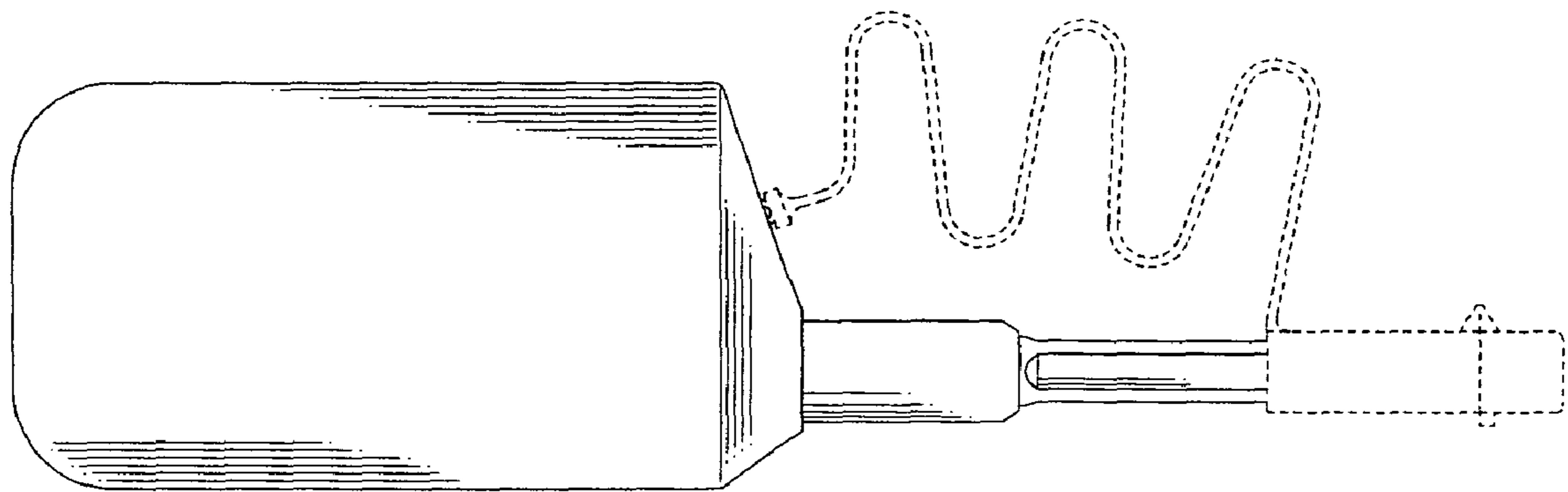


FIG. 4

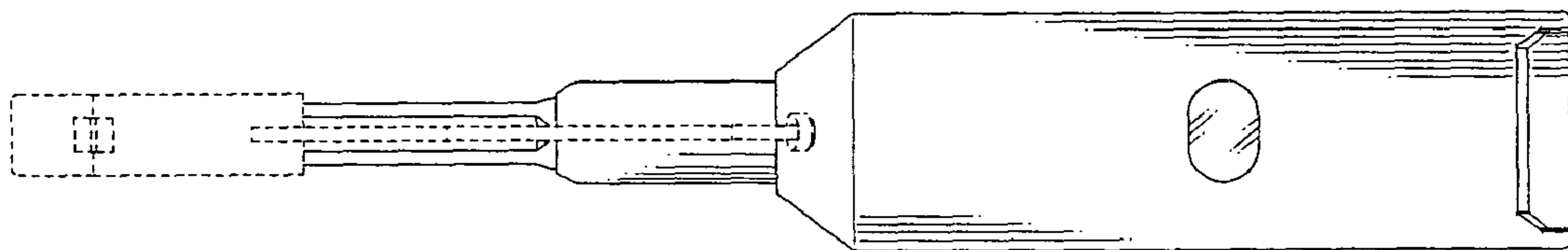


FIG. 5

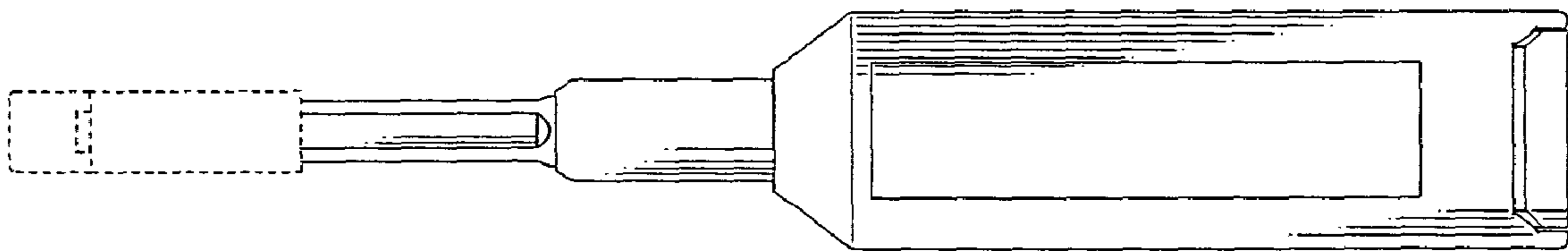


FIG. 6

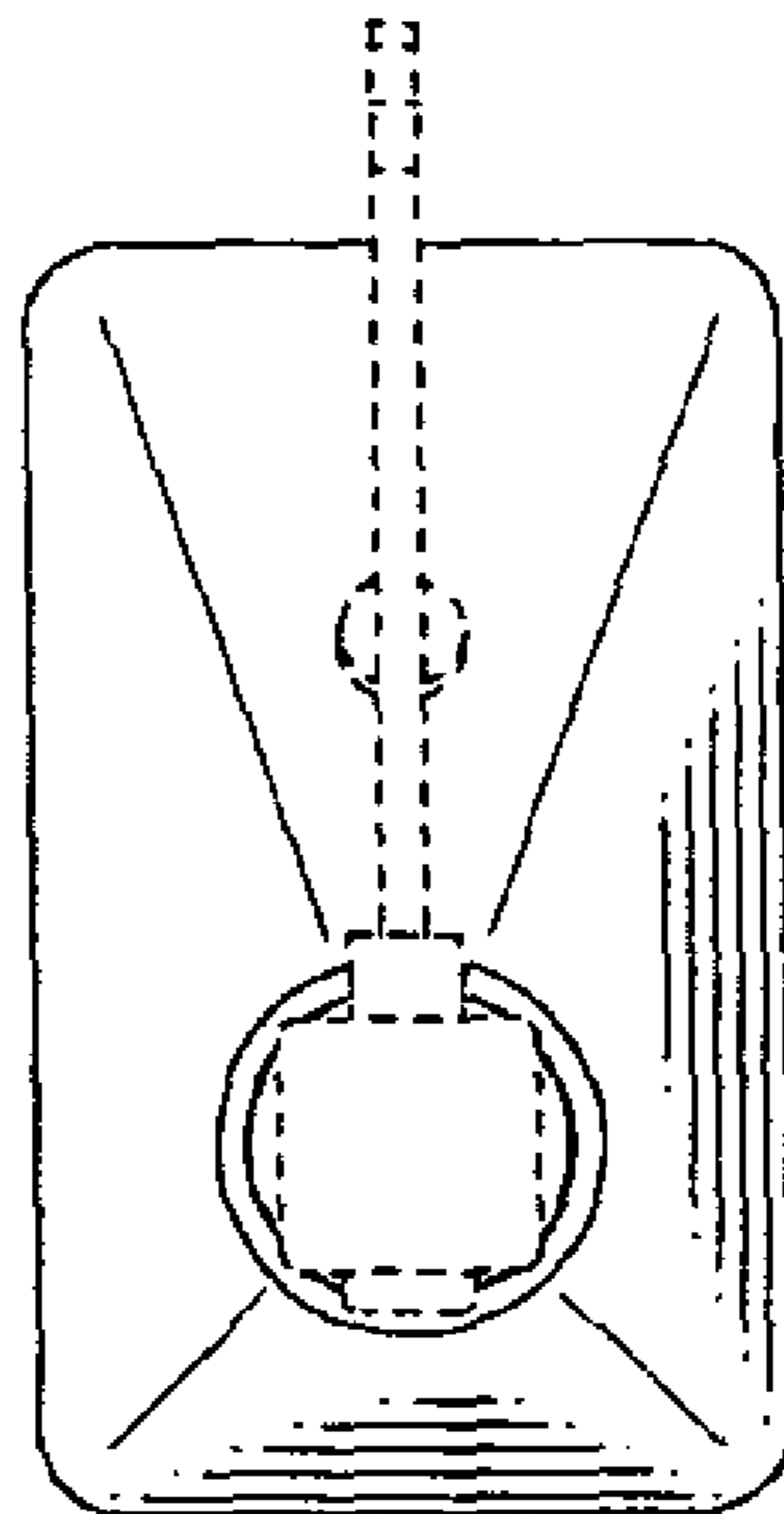


FIG. 7

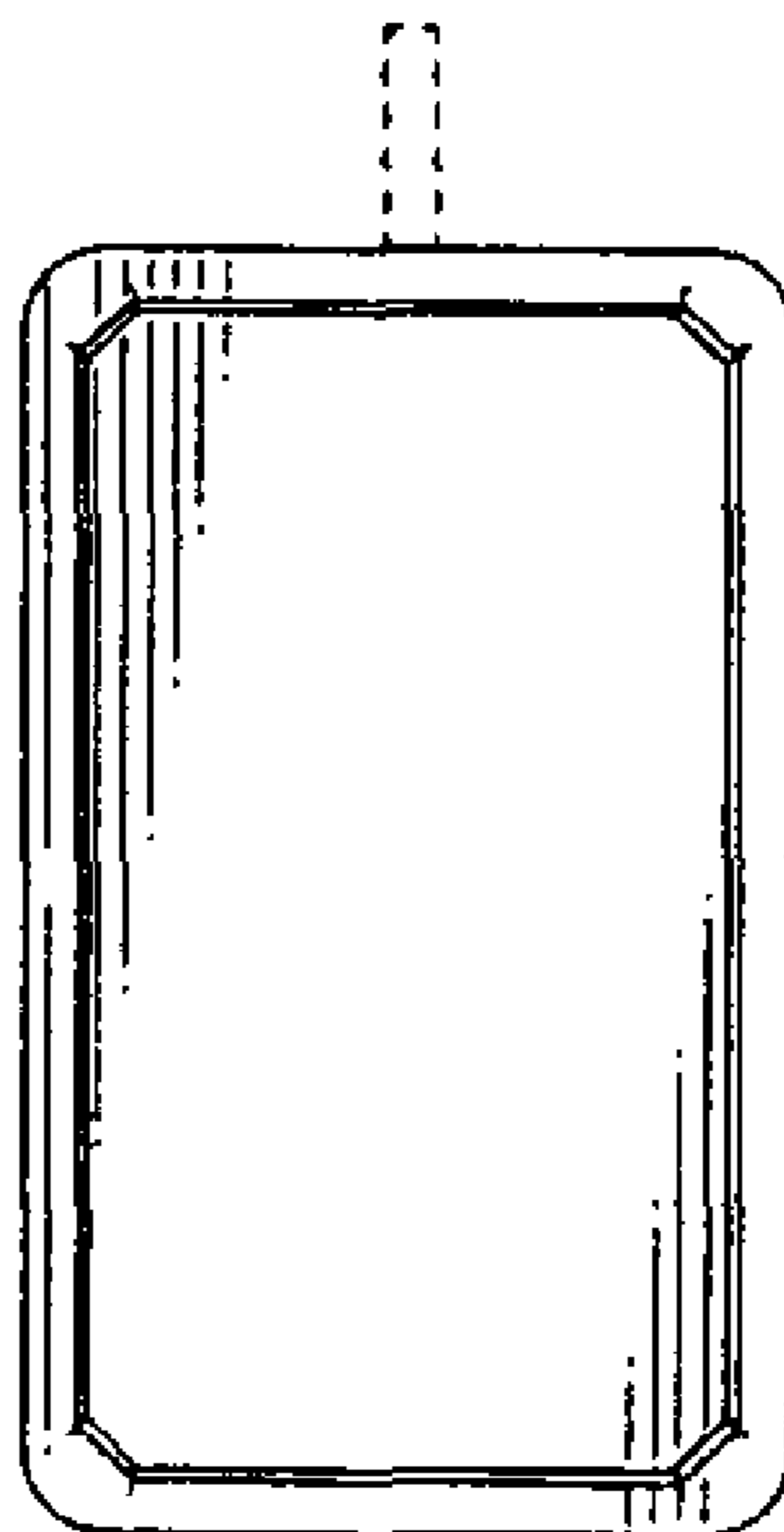


FIG. 8

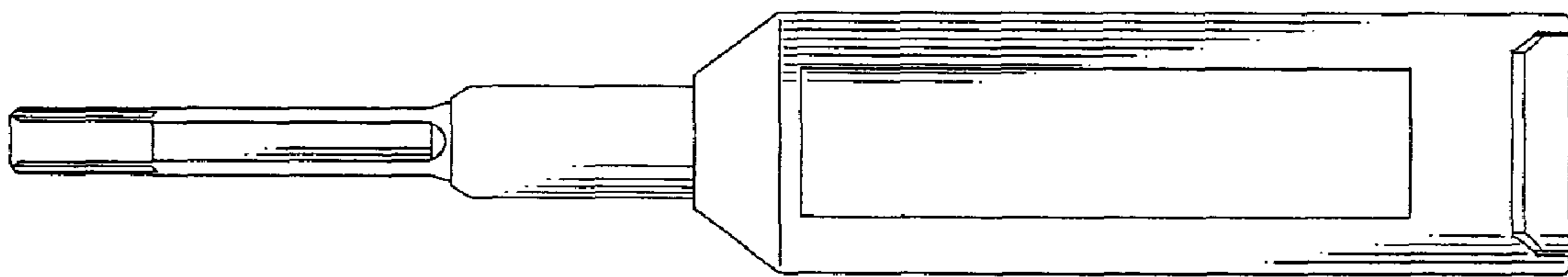


FIG. 9

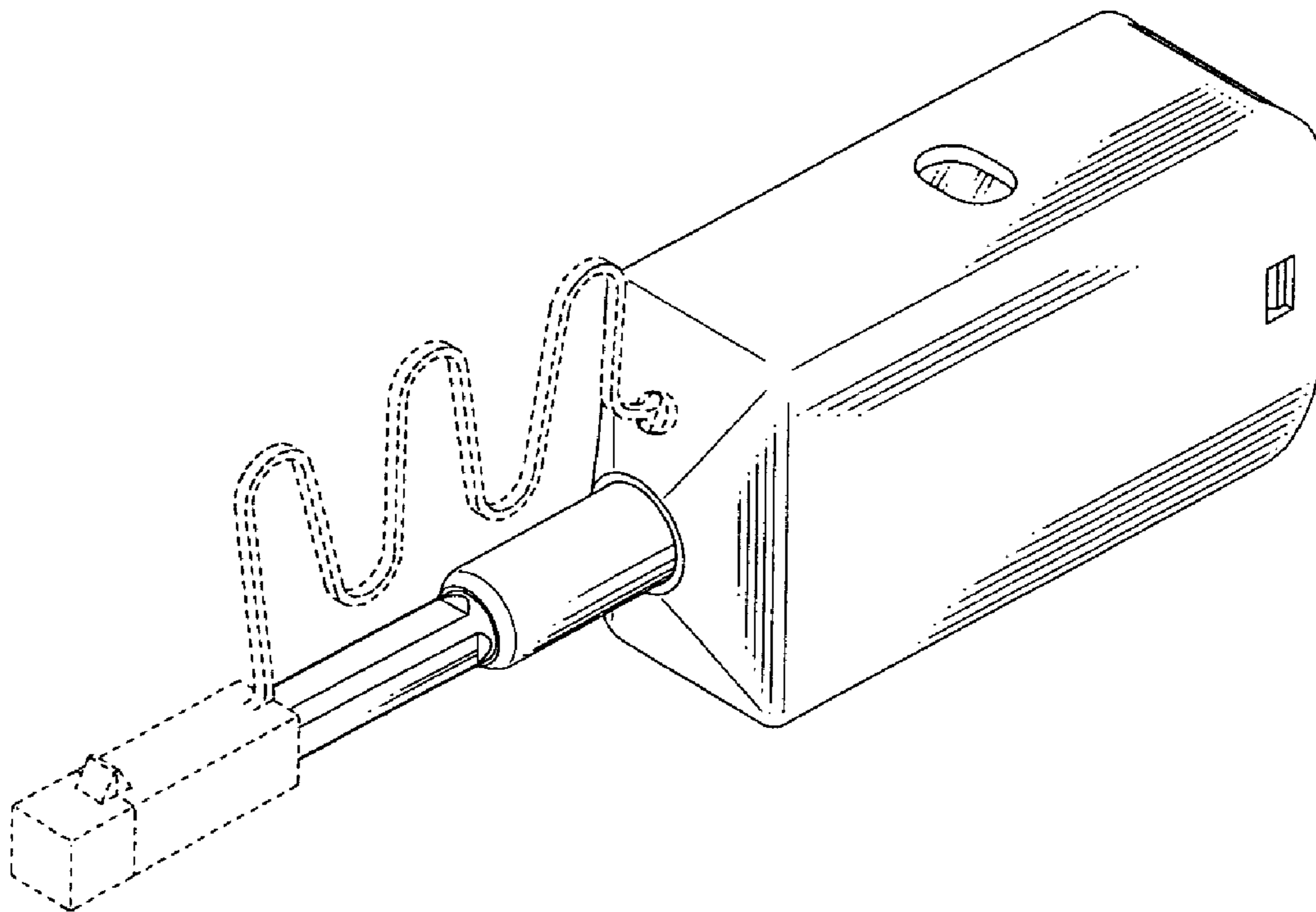


FIG. 10

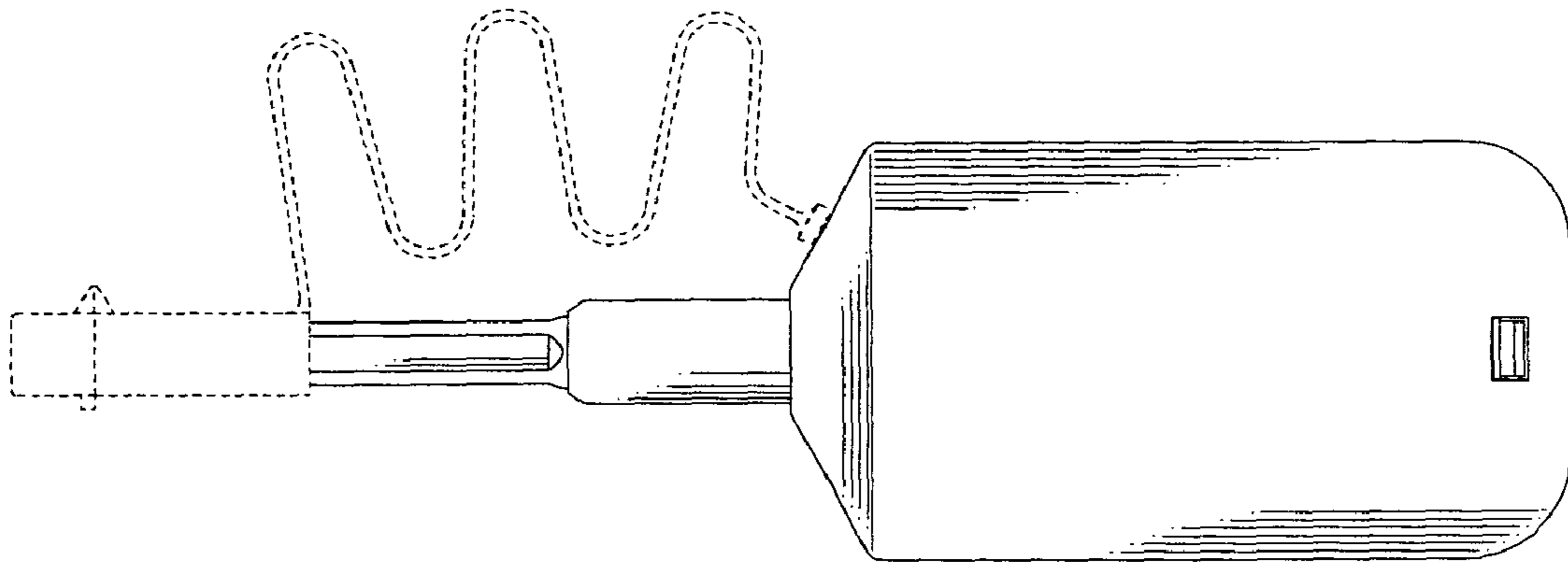


FIG. 11

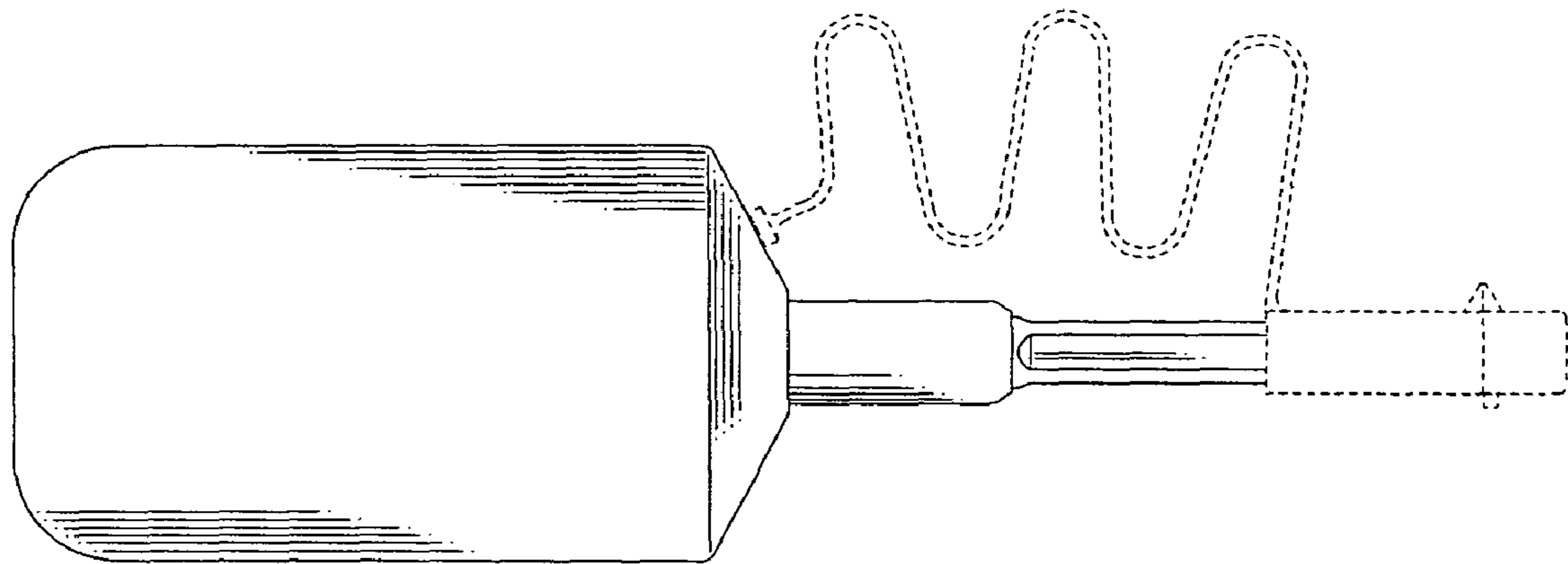


FIG. 12

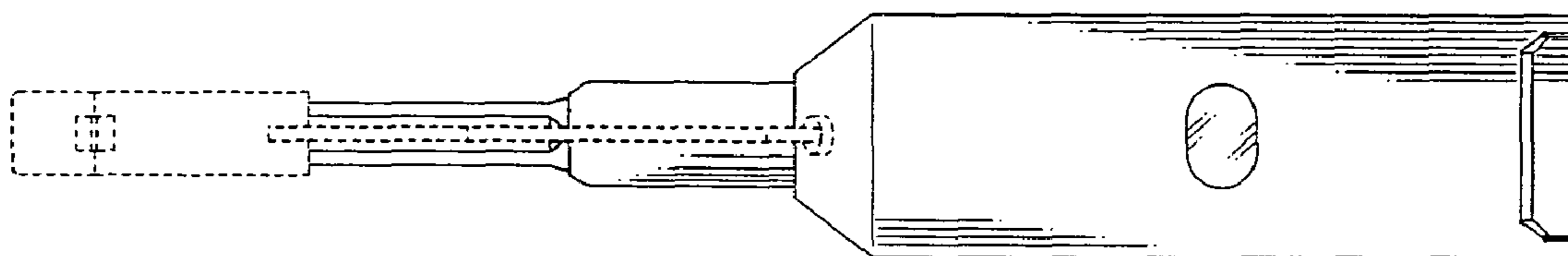


FIG. 13

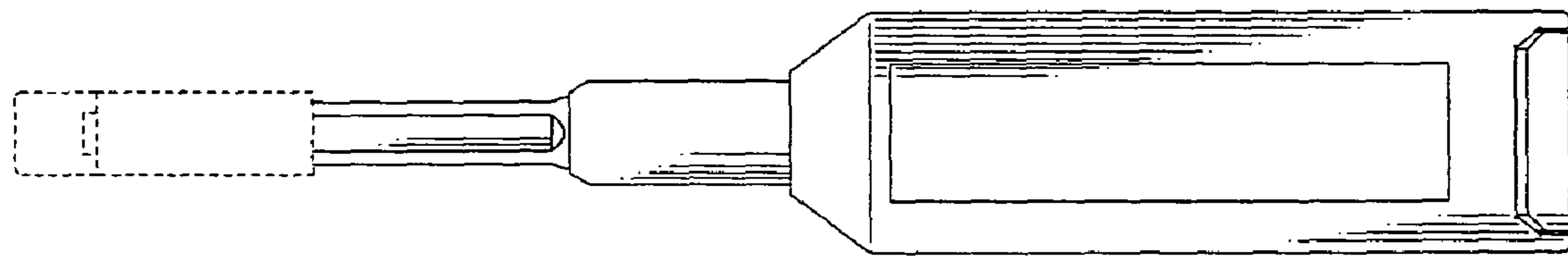


FIG. 14

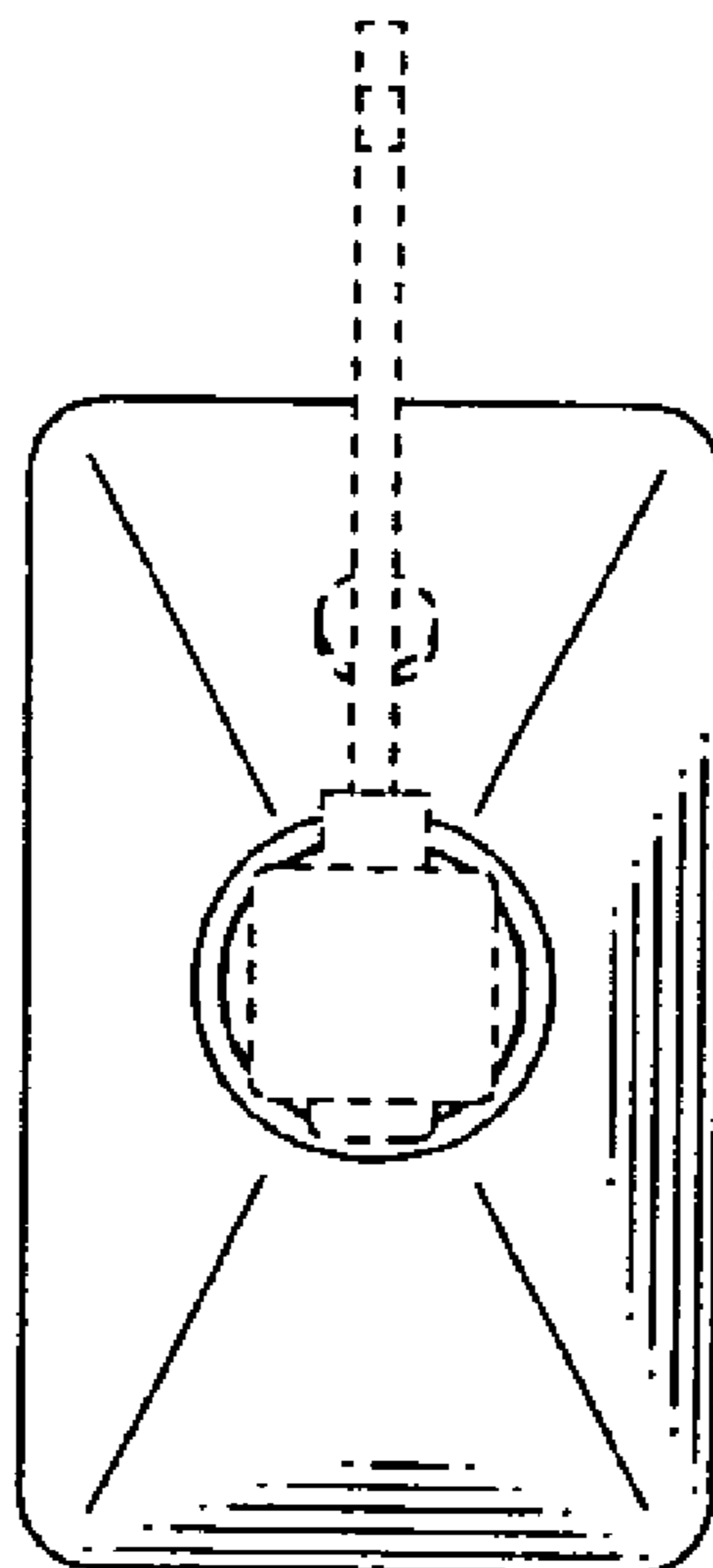


FIG. 15

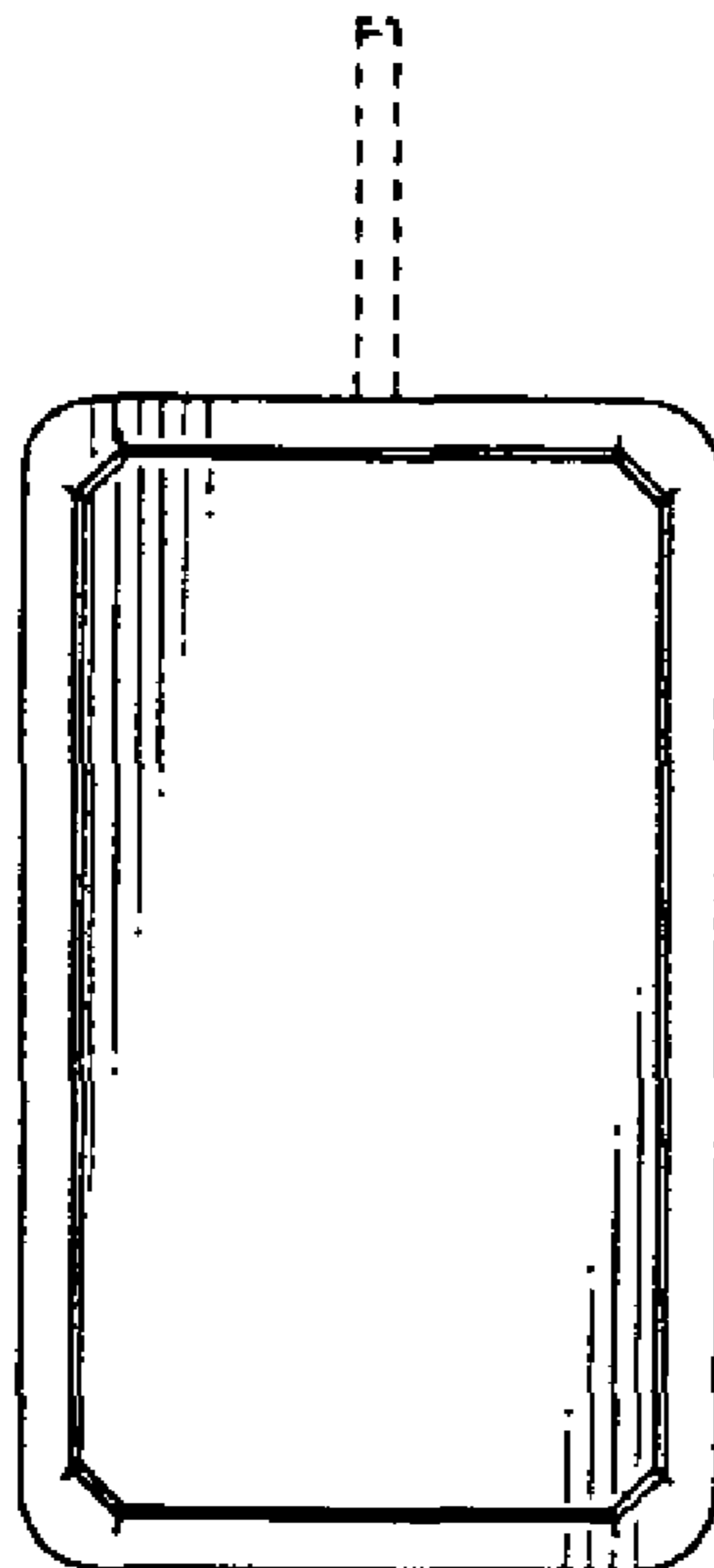


FIG. 16

