



US00D642752S

(12) **United States Design Patent**
Kim

(10) **Patent No.:** **US D642,752 S**

(45) **Date of Patent:** **** Aug. 2, 2011**

(54) **WASHING MACHINE**

(75) **Inventor:** **Myung Shik Kim**, Seoul (KR)

(73) **Assignee:** **LG Electronics Inc.**, Seoul (KR)

(**) **Term:** **14 Years**

(21) **Appl. No.:** **29/364,736**

(22) **Filed:** **Jun. 28, 2010**

(30) **Foreign Application Priority Data**

Dec. 30, 2009 (KR) 30-2009-0057687

(51) **LOC (9) Cl.** **15-05**

(52) **U.S. Cl.** **D32/6**

(58) **Field of Classification Search** D32/1,
D32/5, 6, 8, 10; 68/3 R, 5 R, 12.01, 12.08;
34/87-88, 524, 534; 312/31

See application file for complete search history.

(56) **References Cited**

U.S. PATENT DOCUMENTS

D183,638 S *	9/1958	Sundberg	D32/6
D549,900 S *	8/2007	Kim et al.	D32/6
D557,466 S *	12/2007	Suh	D32/6
D566,347 S *	4/2008	Cao et al.	D32/1
D571,511 S *	6/2008	Cadamuro	D32/8
D582,107 S *	12/2008	Ha et al.	D32/6

D584,865 S *	1/2009	Kim et al.	D32/6
D597,711 S *	8/2009	Nam et al.	D32/6
D613,466 S *	4/2010	Kim	D32/6
D613,467 S *	4/2010	Park et al.	D32/6
D614,366 S *	4/2010	Shor	D32/6
D627,114 S *	11/2010	Jeon et al.	D32/6
D627,115 S *	11/2010	Jeon et al.	D32/6

* cited by examiner

Primary Examiner — T. Chase Nelson

Assistant Examiner — Kathleen M Sims

(74) *Attorney, Agent, or Firm* — Birch, Stewart, Kolasch & Birch, LLP

(57) **CLAIM**

The ornamental design for a washing machine, as shown and described.

DESCRIPTION

FIG. 1 is a top, front, perspective view of a washing machine showing my new design;
FIG. 2 is a front view thereof;
FIG. 3 is a rear view thereof;
FIG. 4 is a left side view thereof;
FIG. 5 is a right side view thereof;
FIG. 6 is a top view thereof;
FIG. 7 is a bottom view thereof; and,
FIG. 8 is a reference view thereof.

The broken line showing is for illustrative purposes only and forms no part of the claimed design.

1 Claim, 7 Drawing Sheets

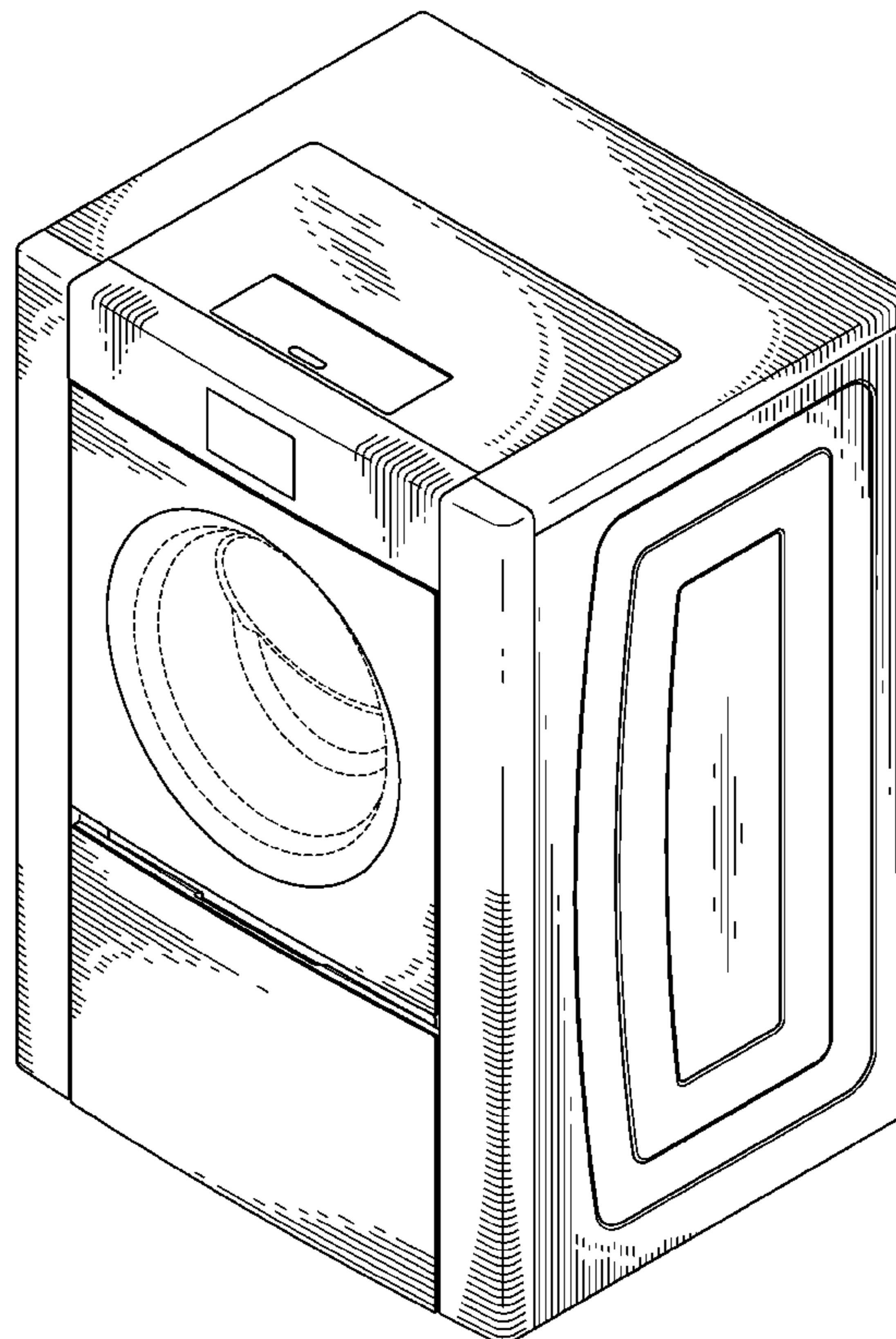


FIG. 1

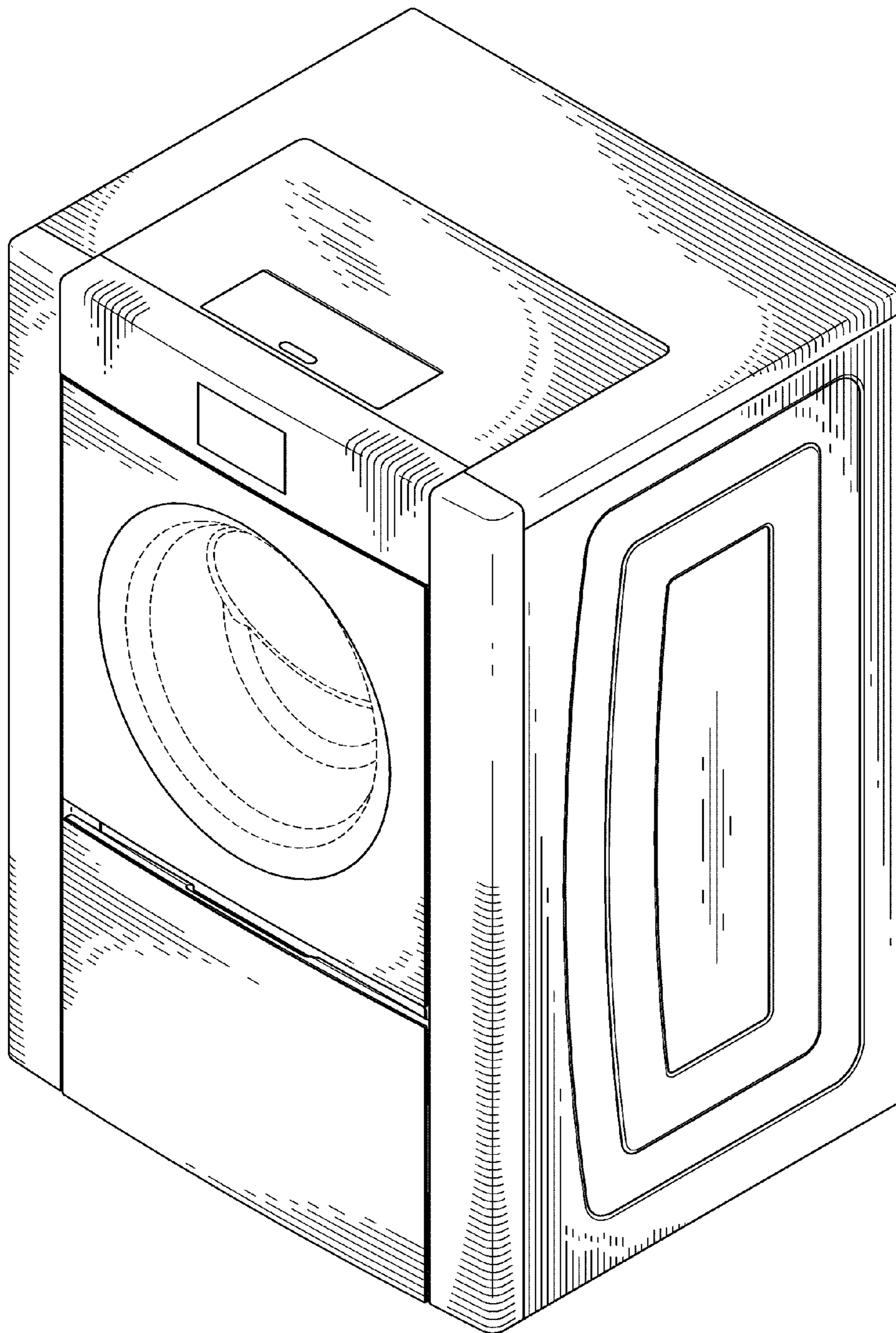


FIG. 2

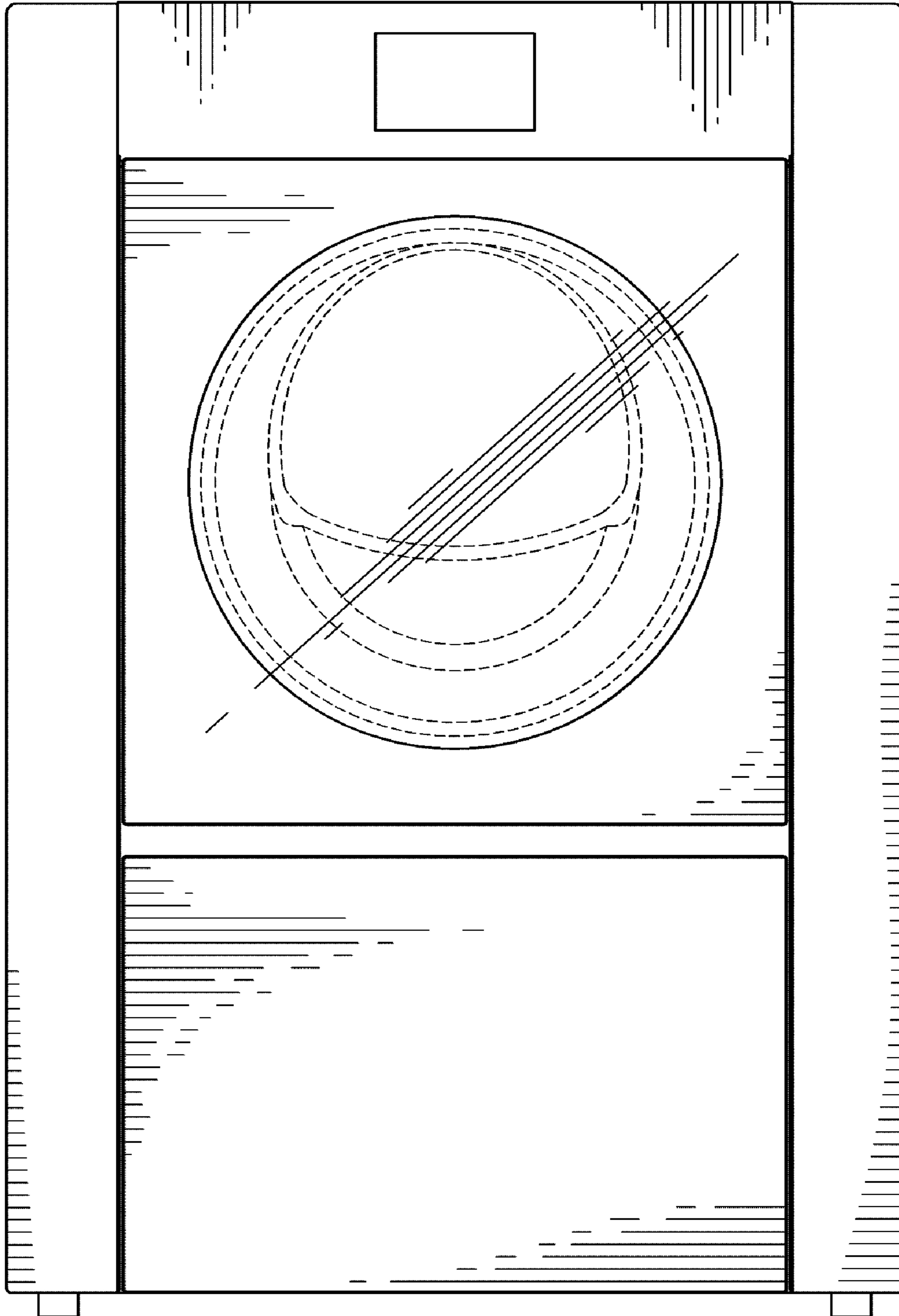


FIG. 3

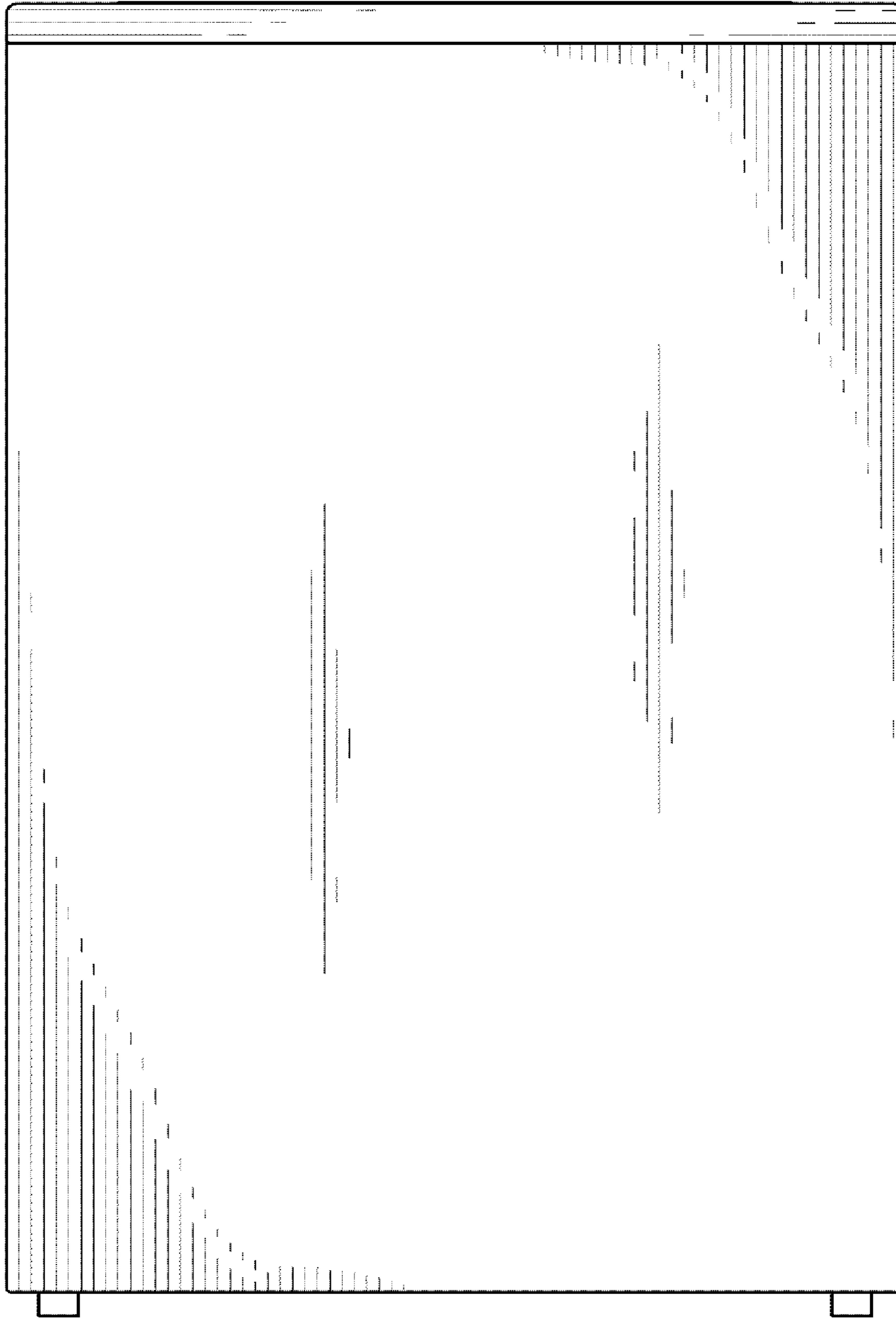


FIG. 4

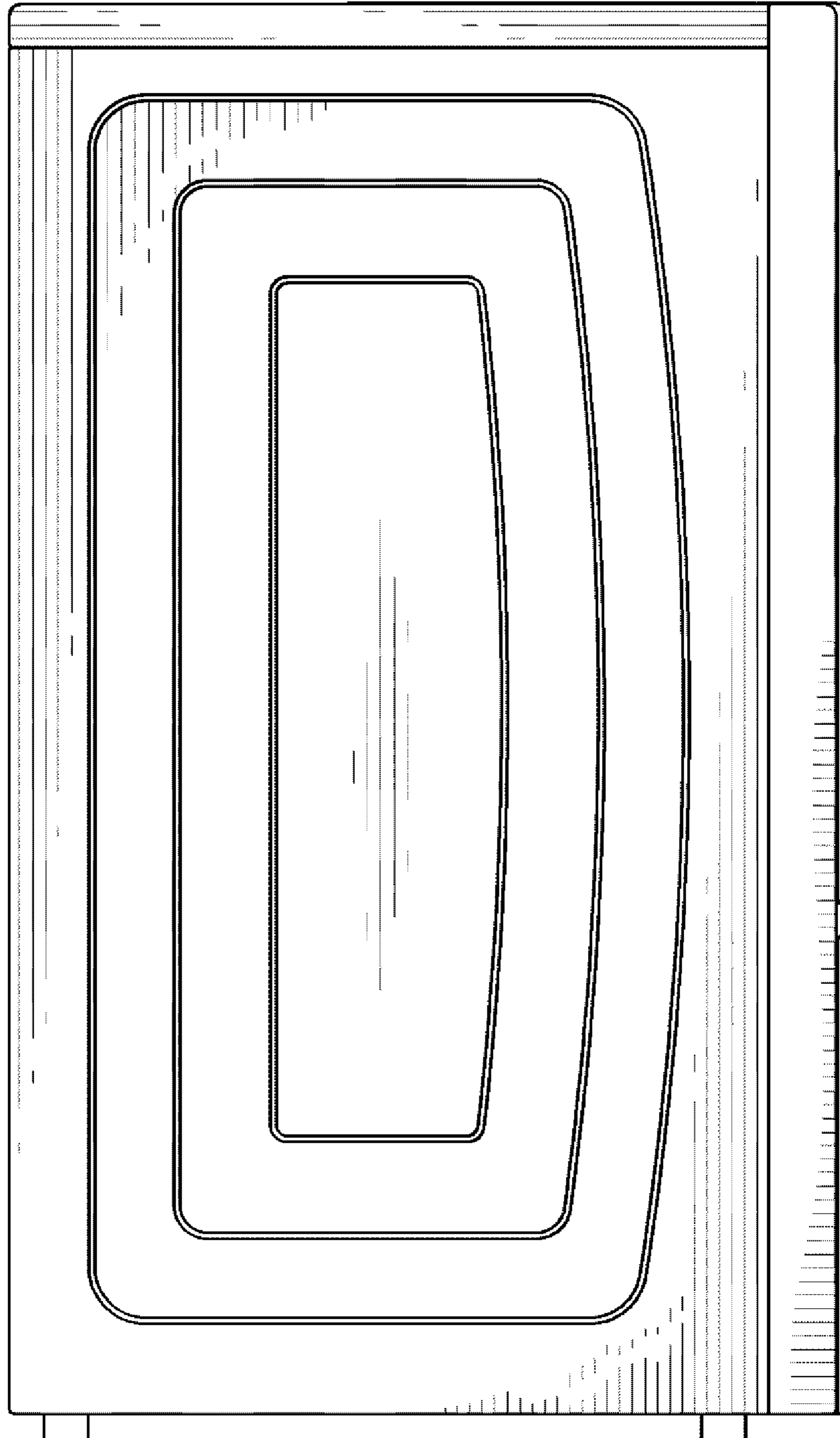


FIG. 5

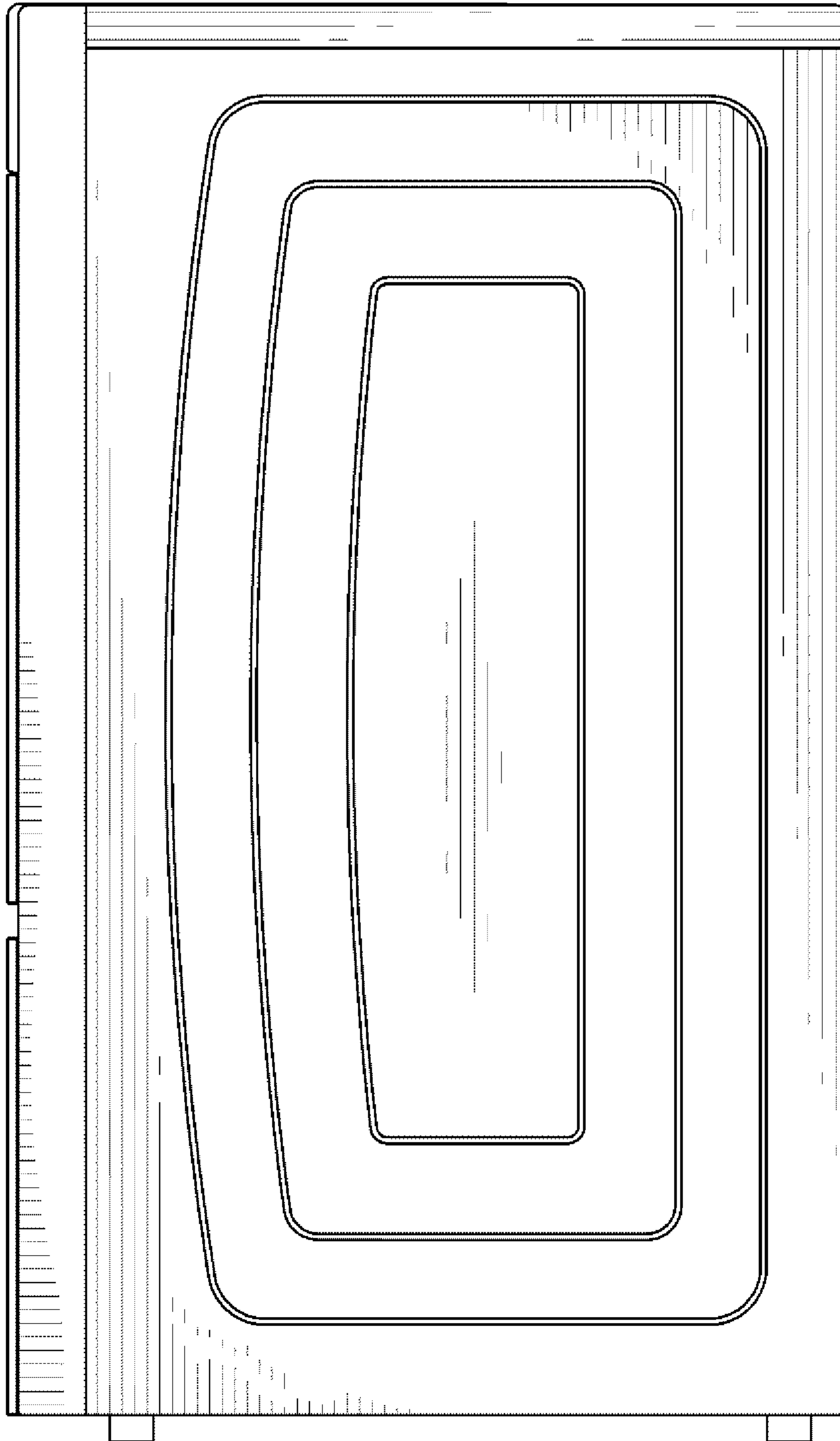


FIG. 6

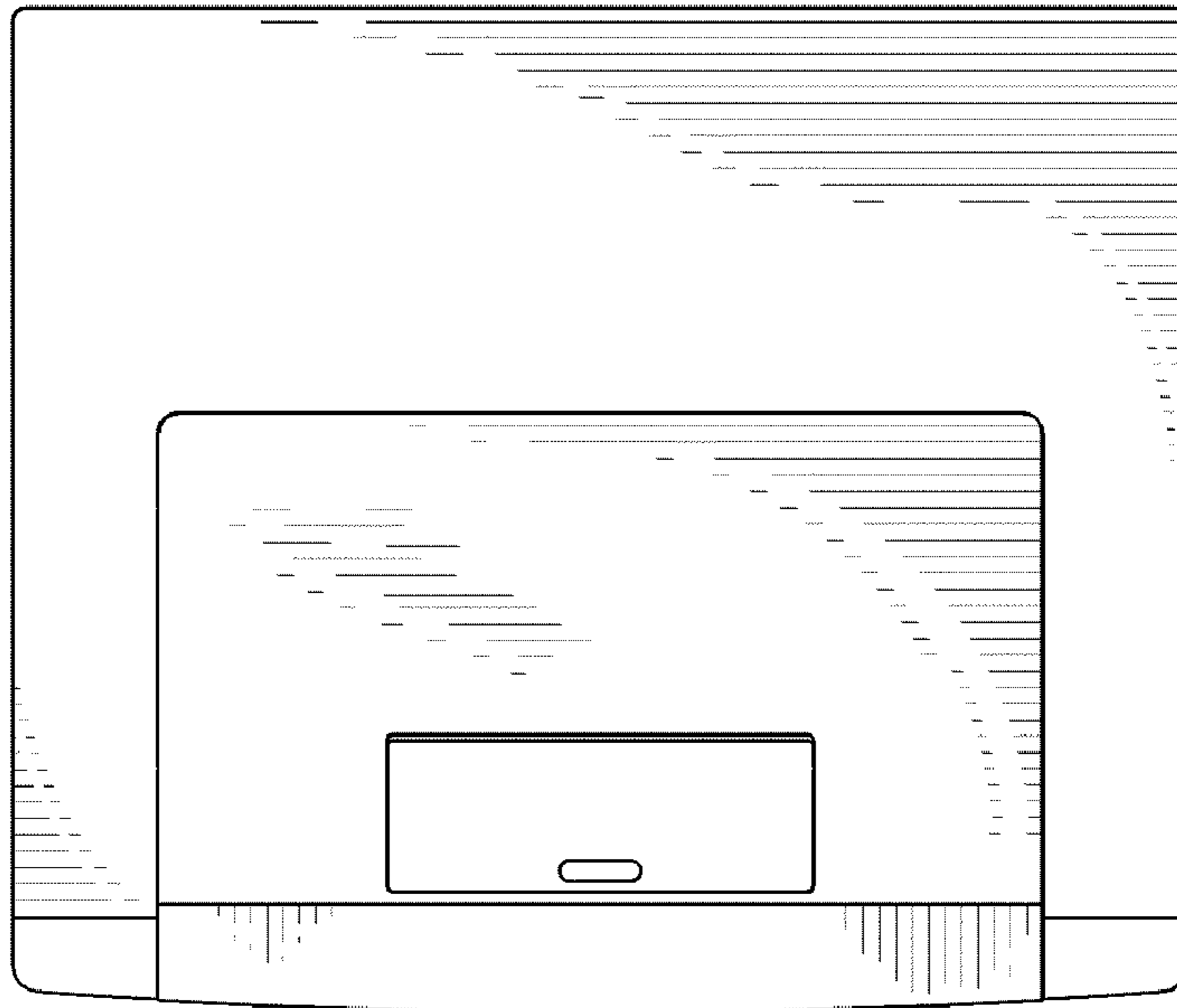


FIG. 7

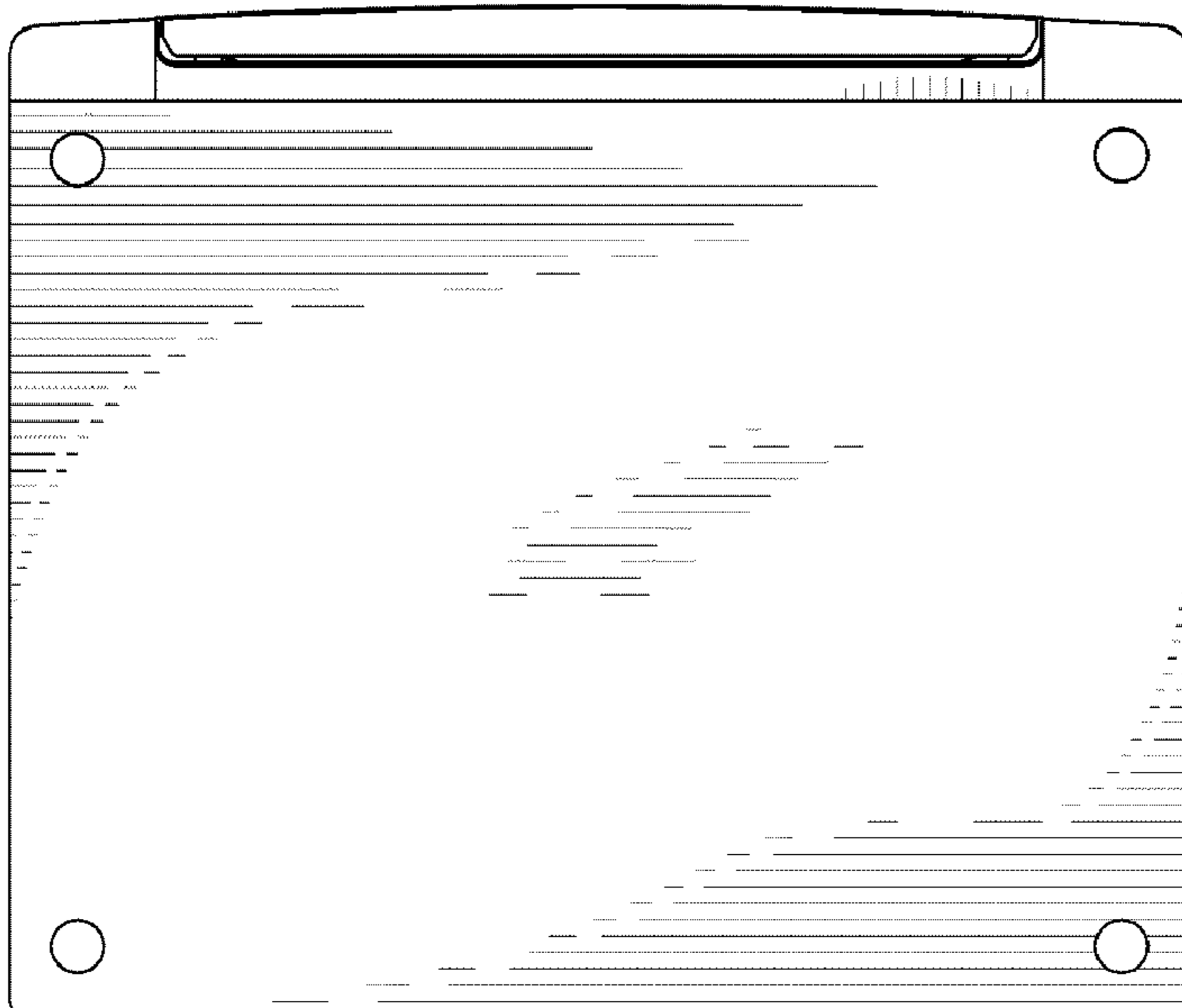


FIG. 8

