



US00D642751S

(12) **United States Design Patent**
Jenkins et al.

(10) **Patent No.:** **US D642,751 S**
(45) **Date of Patent:** **** Aug. 2, 2011**

(54) **DISHWASHER PANEL**

(56) **References Cited**

- (75) Inventors: **James Jenkins**, San Diego, CA (US);
Thomas Ott, Neubiberg (DE)
- (73) Assignee: **BSH Bosch und Siemens Hausgeraete GmbH**, Munich (DE)
- (**) Term: **14 Years**
- (21) Appl. No.: **29/378,800**
- (22) Filed: **Nov. 10, 2010**

U.S. PATENT DOCUMENTS

D385,069	S	*	10/1997	Hughes et al.	D32/3
D493,583	S	*	7/2004	Kaczmarek	D32/3
D495,104	S	*	8/2004	Kaczmarek	D32/3
D511,031	S	*	10/2005	Ott et al.	D32/3
D530,048	S	*	10/2006	Knochner	D32/3
D530,460	S	*	10/2006	Knochner	D32/3
D533,691	S	*	12/2006	Knochner	D32/3
D539,992	S	*	4/2007	Yamamoto et al.	D32/2
D545,009	S	*	6/2007	Jung et al.	D32/2
D568,563	S	*	5/2008	Stephens	D32/28
D577,869	S	*	9/2008	Tartan et al.	D32/2
D618,403	S	*	6/2010	Kaczmarek	D32/3
D618,406	S	*	6/2010	Ott	D32/3

* cited by examiner

Related U.S. Application Data

- (62) Division of application No. 29/360,743, filed on Apr. 30, 2010, which is a division of application No. 29/312,227, filed on Oct. 7, 2008, now Pat. No. Des. 618,404.

Primary Examiner — T. Chase Nelson
Assistant Examiner — Kathleen M Sims

(74) *Attorney, Agent, or Firm* — James E. Howard; Andre Pallapies

(30) **Foreign Application Priority Data**

Apr. 8, 2008 (EM) 000918362

- (51) **LOC (9) Cl.** **15-05**
- (52) **U.S. Cl.** **D32/3**
- (58) **Field of Classification Search** D32/1,
D32/2, 3, 28; D7/340, 348-361, 404; 68/212;
312/31; 134/56 D, 57 D, 58 D, 58 DL, 113,
134/201

See application file for complete search history.

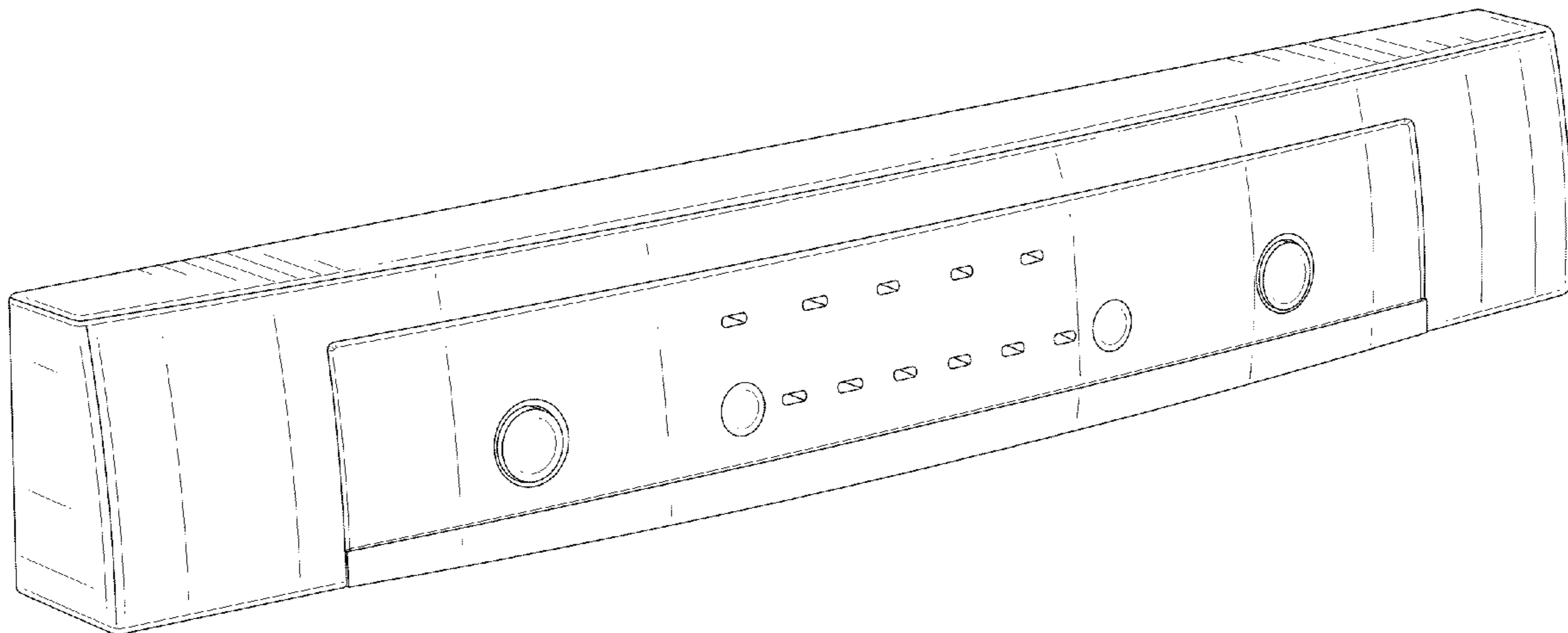
(57) **CLAIM**

The ornamental design for a dishwasher panel, as shown and described.

DESCRIPTION

FIG. 1 is a front view of a dishwasher panel showing our new design; and,
FIG. 2 is a perspective view thereof.
The rear and bottom views of the dishwasher panels are not shown and do not form a part of the claimed design.

1 Claim, 2 Drawing Sheets



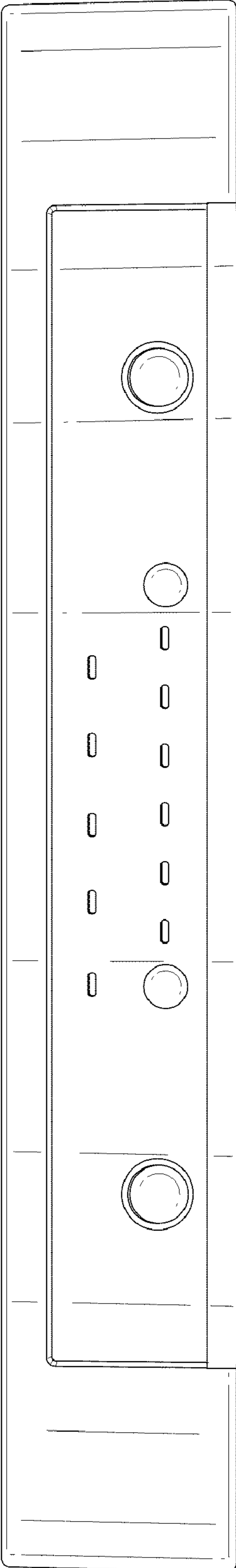


Fig. 1

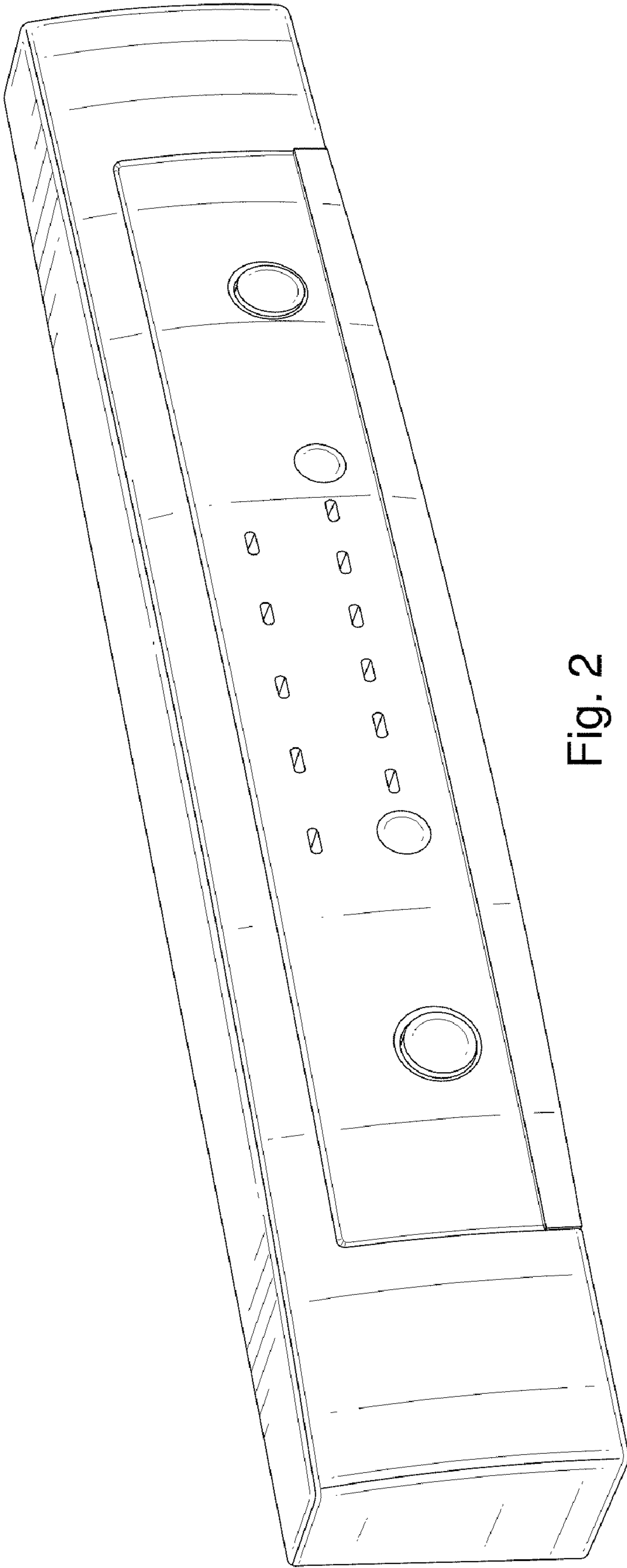


Fig. 2