



US00D642750S

(12) **United States Design Patent**
Meritt

(10) **Patent No.:** **US D642,750 S**

(45) **Date of Patent:** **** Aug. 2, 2011**

(54) **DEER CLEANING CART**

(75) Inventor: **Rick Meritt**, Gilmer, TX (US)

(73) Assignee: **Rick Meritt Investments, Ltd.**, Gilmer, TX (US)

(**) Term: **14 Years**

(21) Appl. No.: **29/377,185**

(22) Filed: **Oct. 18, 2010**

(51) **LOC (9) Cl.** **30-99**

(52) **U.S. Cl.** **D30/199; D30/158**

(58) **Field of Classification Search** D30/158, D30/199, 151; 43/1, 2; 135/901; 280/47.3, 280/30, 47.18, 7.12, 8, 47.29, 652, 40, 47.24, 280/655, 653, 9.4, 47.315, 640, 43.1, 47.25; D22/199; 297/129, 16.2; D34/24, 16, 12; 5/626, 627, 600; 452/194, 185
See application file for complete search history.

6,164,671	A *	12/2000	Darling, III	280/30
6,217,043	B1 *	4/2001	Chumley	280/40
6,283,496	B1 *	9/2001	Dickmann	280/652
6,375,200	B1 *	4/2002	Harter	280/30
6,575,483	B1 *	6/2003	Davis	280/63
6,585,285	B2 *	7/2003	Koch	280/656
6,684,424	B2 *	2/2004	Jehn	5/611
6,764,093	B2 *	7/2004	Allsop et al.	280/653
6,793,236	B1 *	9/2004	Mitchell	280/652
6,805,269	B2 *	10/2004	Lockard	224/153
6,811,180	B1 *	11/2004	Molliere	280/652
6,836,910	B2 *	1/2005	Cawthon	4/650
6,902,184	B2 *	6/2005	Hsu	280/653
7,374,479	B2 *	5/2008	Quinney et al.	452/185
7,395,564	B2 *	7/2008	McDaniel et al.	5/618

(Continued)

Primary Examiner — Susan M Lee

(74) *Attorney, Agent, or Firm* — Gardere Wynne Sewell, LLP

(57) **CLAIM**

The ornamental design for a deer cleaning cart, as shown and described.

DESCRIPTION

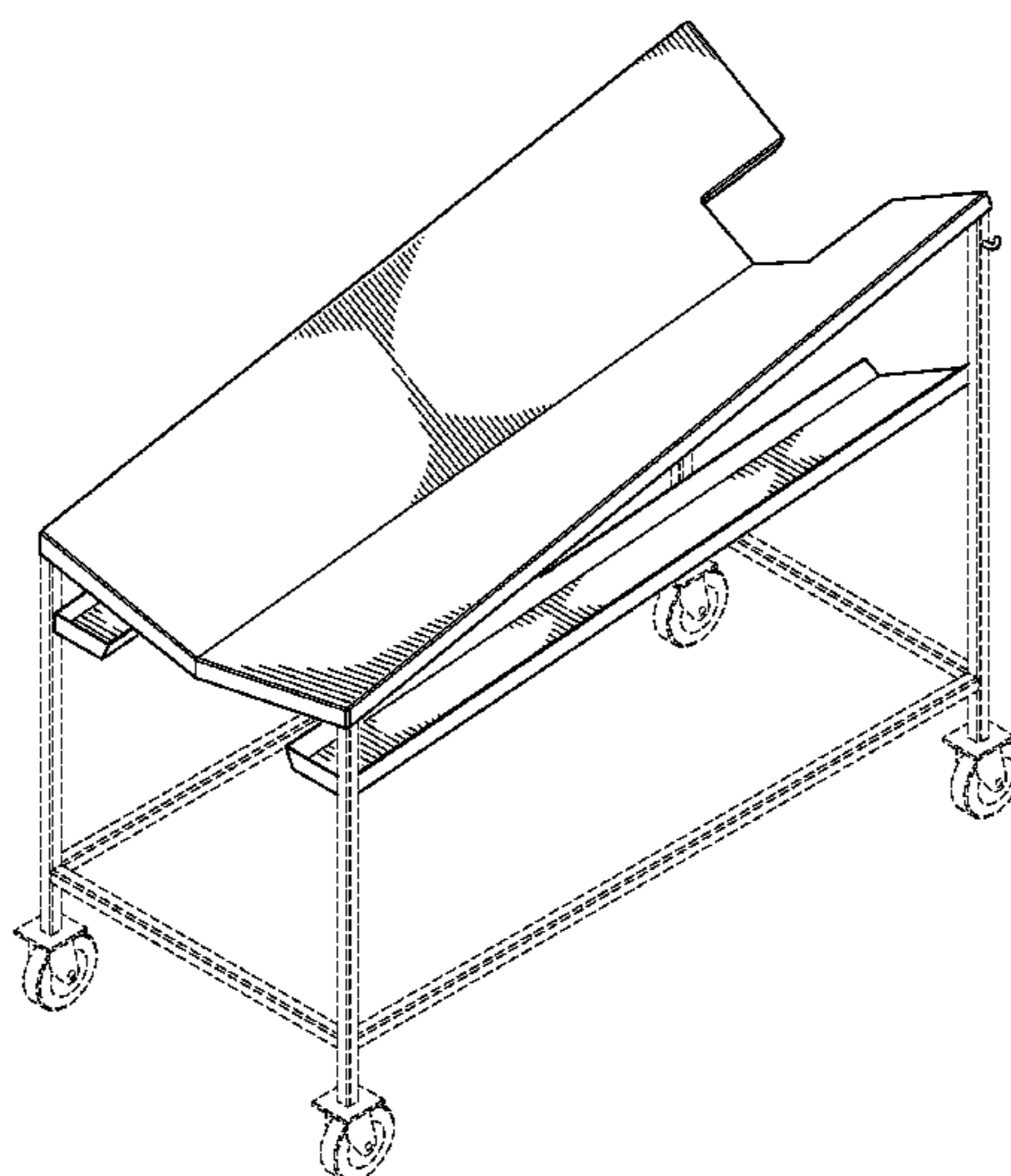
FIG. 1 is a perspective view of a deer cleaning cart according to my new design;
FIG. 2 is a left side elevation view of the deer cleaning cart shown in FIG. 1;
FIG. 3 is a right side elevation view of the deer cleaning cart shown in FIG. 1;
FIG. 4 is a front elevation view of the deer cleaning cart shown in FIG. 1;
FIG. 5 is a rear elevation view of the deer cleaning cart shown in FIG. 1;
FIG. 6 is a top plan view of the deer cleaning cart shown in FIG. 1; and,
FIG. 7 is a bottom plan view of the deer cleaning cart shown in FIG. 1.
The broken lines are for illustrative purposes only and form no part of the claimed design.

1 Claim, 7 Drawing Sheets

(56) **References Cited**

U.S. PATENT DOCUMENTS

2,183,066	A *	12/1939	Fields	280/43.1
2,494,199	A *	1/1950	Provitola et al.	280/653
2,624,588	A *	1/1953	Jones	280/9
3,054,650	A *	9/1962	Nordland	312/209
3,236,537	A *	2/1966	Eckman	280/47.18
3,833,967	A *	9/1974	Kieser	452/195
4,054,968	A *	10/1977	Statz	452/187
4,625,363	A *	12/1986	Watson	452/187
5,111,541	A *	5/1992	Wagner	5/601
5,244,433	A *	9/1993	Utterback	454/49
5,295,556	A *	3/1994	Mullin	182/187
5,492,196	A *	2/1996	Michno	182/20
5,564,720	A *	10/1996	Stringer	280/30
5,626,514	A *	5/1997	Rothove	452/128
D391,734	S *	3/1998	Melgey	D34/24
5,778,953	A *	7/1998	Braddock	144/286.1
5,806,878	A *	9/1998	Mrocza et al.	280/653
5,887,879	A *	3/1999	Chumley	280/40
5,903,997	A *	5/1999	Jacob	43/1
6,112,346	A *	9/2000	Agadzi	5/86.1
6,161,850	A *	12/2000	James et al.	280/47.18



US D642,750 S

Page 2

U.S. PATENT DOCUMENTS

7,407,177	B2 *	8/2008	Darling, III	280/640	7,775,530	B2 *	8/2010	Darling, III	280/47.18
7,462,097	B2 *	12/2008	Jones	452/185	2002/0094771	A1 *	7/2002	Butler	452/128
7,575,241	B1 *	8/2009	Keller	280/32.5	2002/0184704	A1 *	12/2002	Cawthon	4/619
D608,065	S *	1/2010	Tse et al.	D32/40	2003/0096569	A1 *	5/2003	Britton	452/194
7,726,472	B1 *	6/2010	Duvuvuei	206/207	2006/0046630	A1 *	3/2006	Jones	452/185
7,740,206	B2 *	6/2010	Eaton et al.	244/201	2006/0137379	A1 *	6/2006	Cawthon	62/285
7,766,365	B2 *	8/2010	Darling, III	280/640	2007/0026785	A1 *	2/2007	Quinney et al.	452/194

* cited by examiner

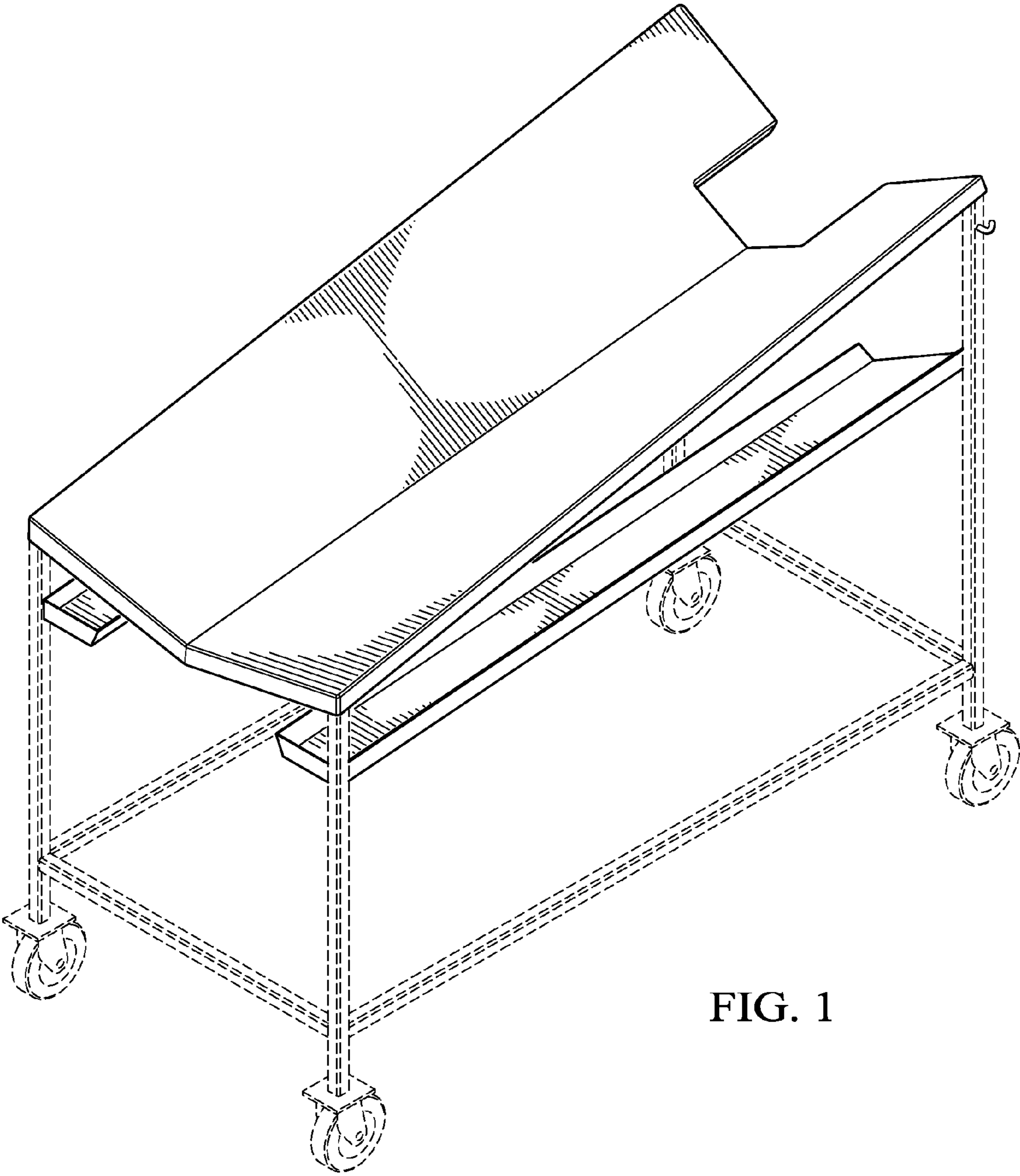


FIG. 1

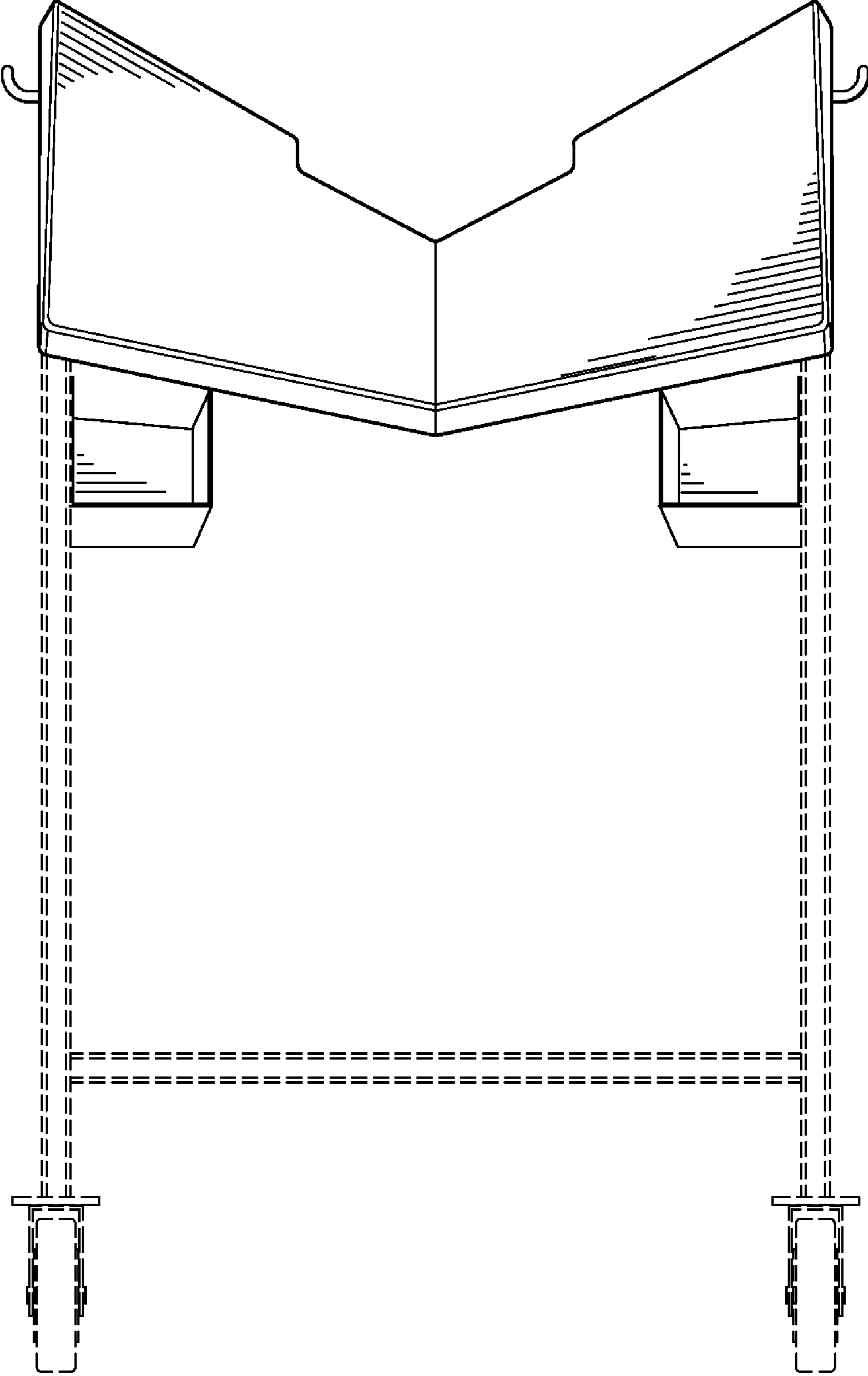


FIG. 2

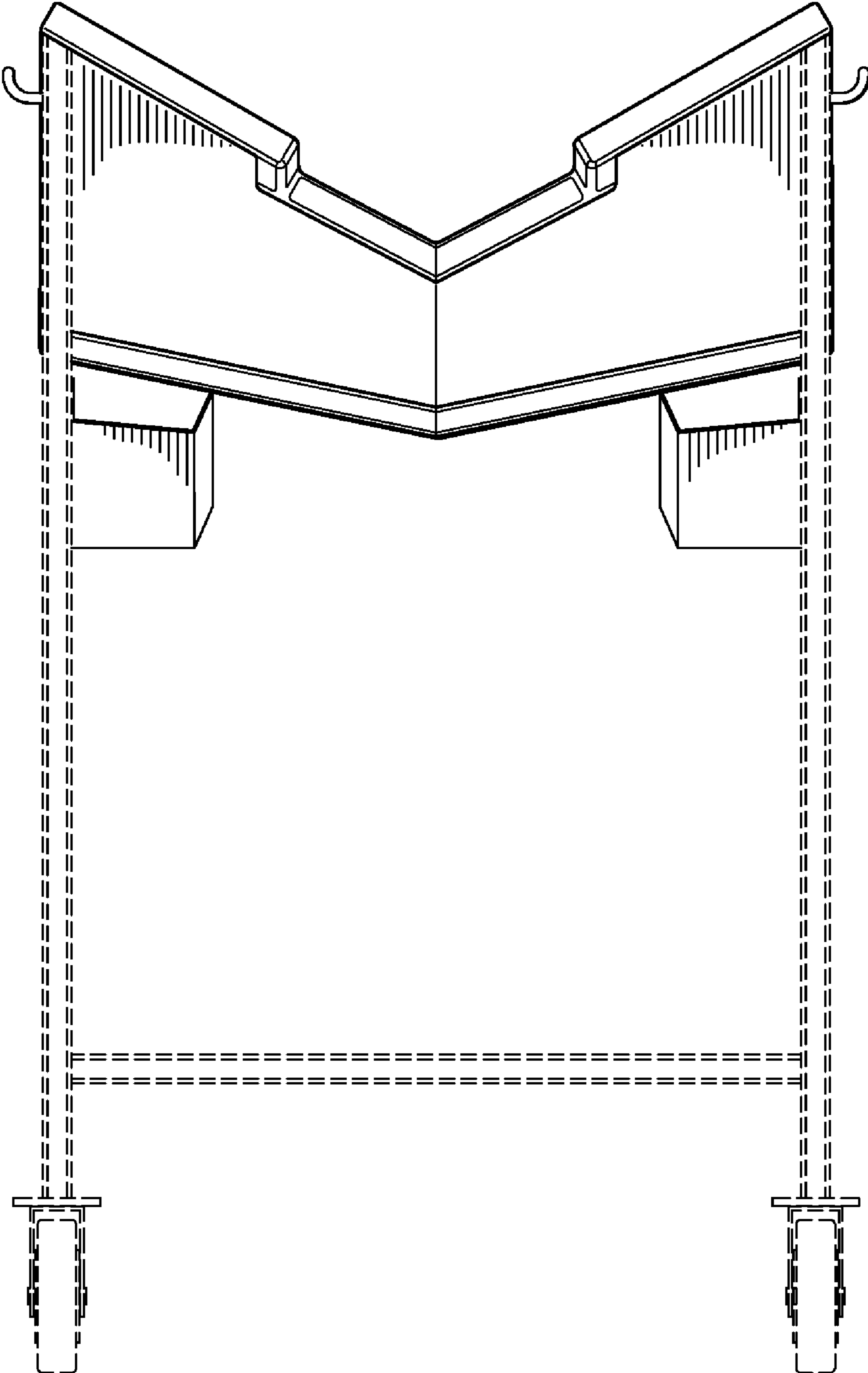


FIG. 3

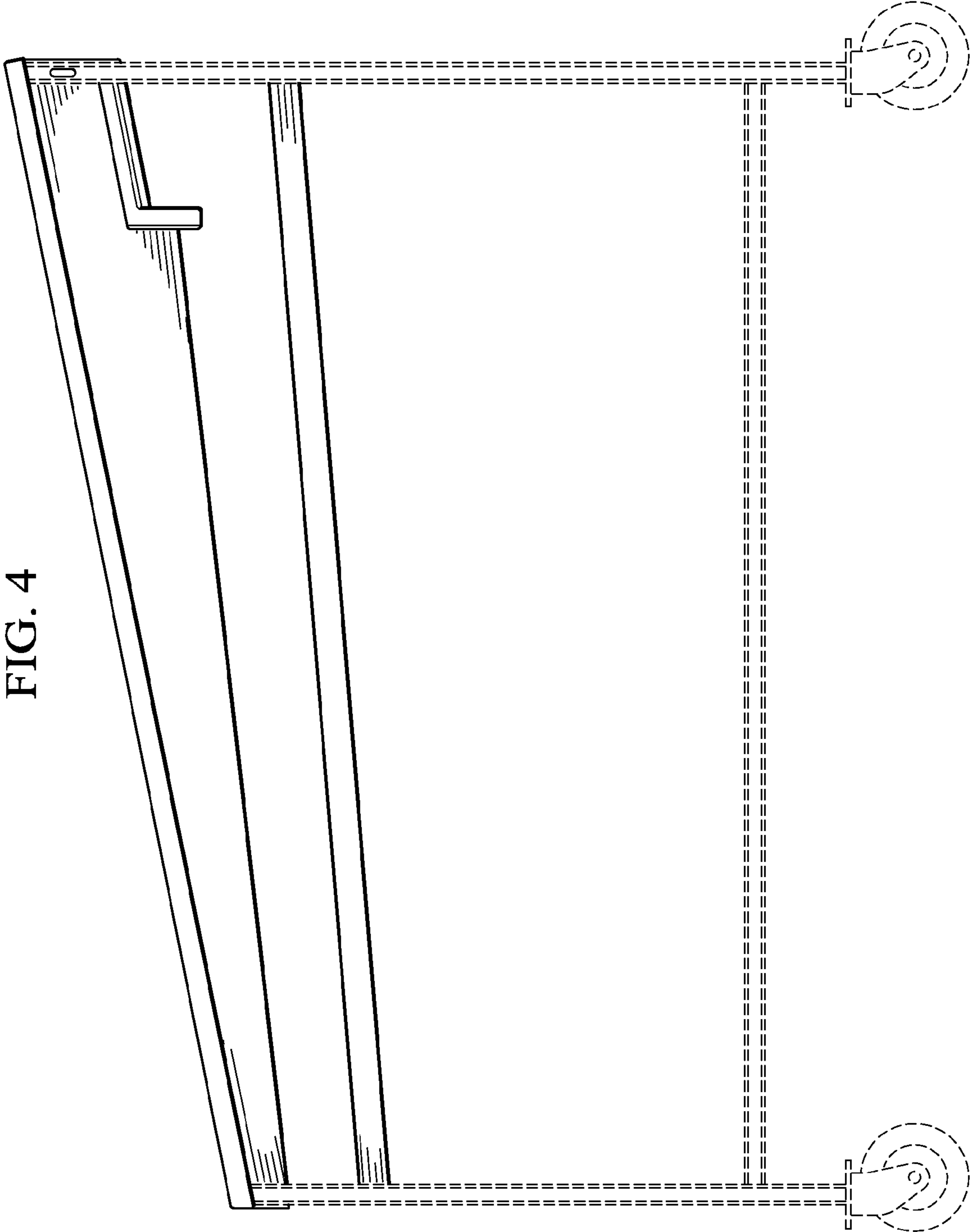


FIG. 4

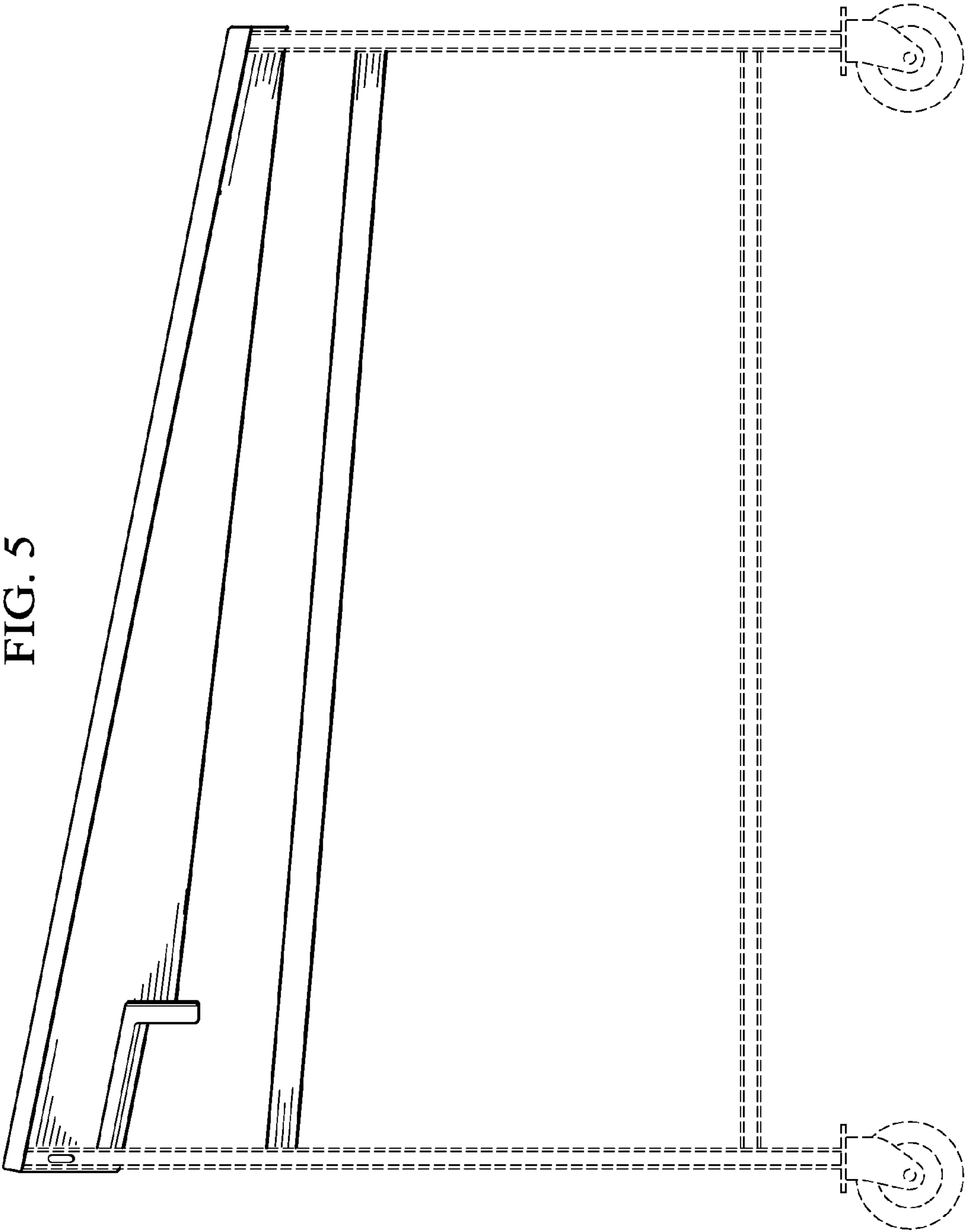


FIG. 5

FIG. 6

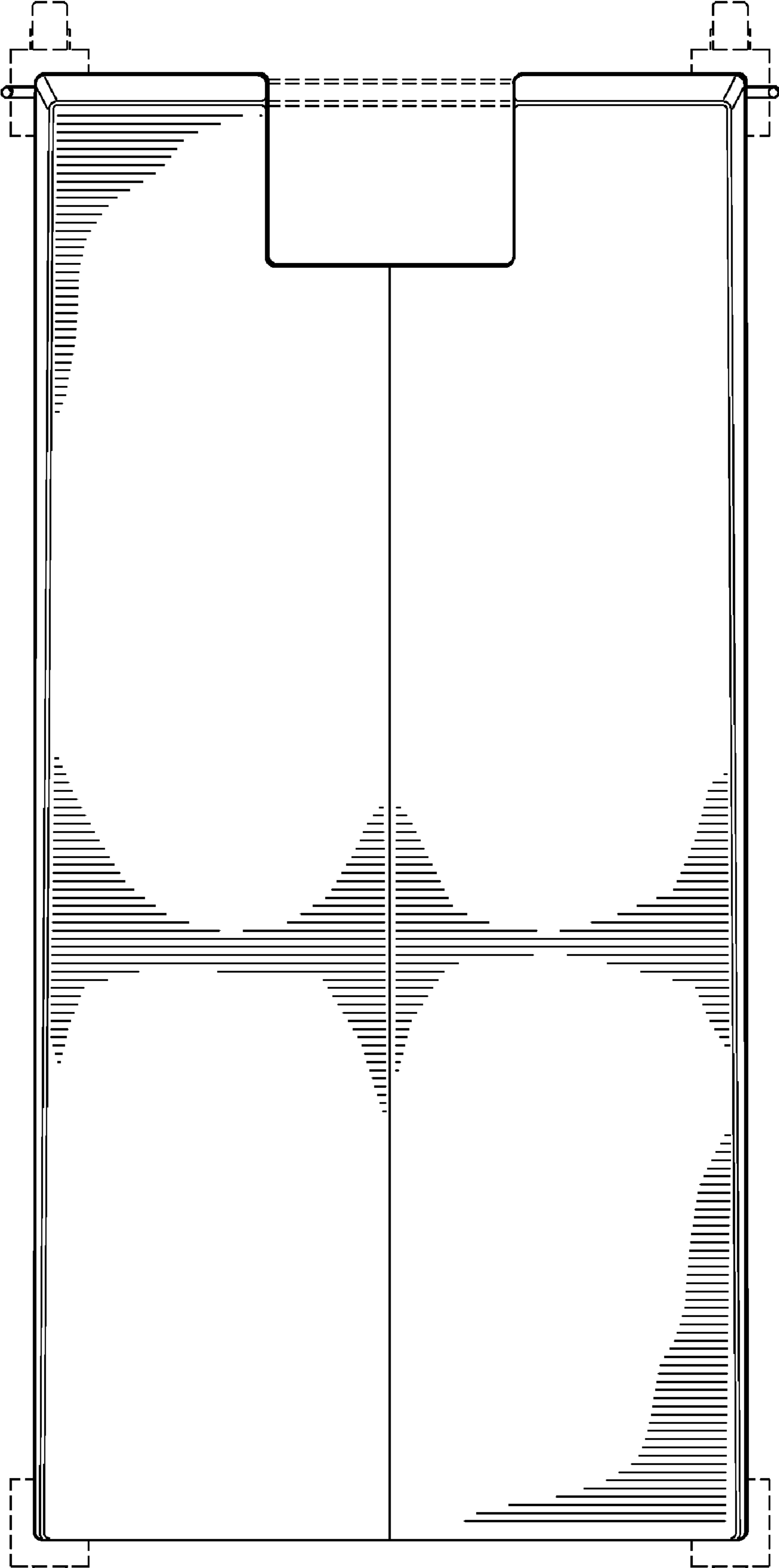


FIG. 7

