



US00D642749S

(12) **United States Design Patent**
Tancs

(10) **Patent No.:** **US D642,749 S**

(45) **Date of Patent:** **** Aug. 2, 2011**

- (54) **CONTAINER FOR PET WASTE**
- (75) Inventor: **Linda Ann Tancs**, Hillsborough, NJ
(US)
- (73) Assignee: **De Novo Enterprises, LLC**
- (**) Term: **14 Years**
- (21) Appl. No.: **29/367,578**
- (22) Filed: **Aug. 10, 2010**
- (51) **LOC (9) Cl.** **30-99**
- (52) **U.S. Cl.** **D30/162**
- (58) **Field of Classification Search** D30/161,
D30/162, 199; D9/718, 719; D7/601, 602,
D7/629; D21/532; D3/201, 274, 275; D24/121,
D24/122, 123; D8/10; 294/1.3, 1.4, 1.5,
294/9, 49, 55, 54.5; 119/867, 869, 161; 220/495.03,
220/200, 62.11, 62.12, 62.13, 600, 660, 669,
220/675, 694, 710.5, 908, 908.1, 908.2
See application file for complete search history.

D353,669	S	*	12/1994	Jones et al.	D24/122
D365,185	S		12/1995	Reitman		
D367,996	S	*	3/1996	Rausch	D7/602
D374,043	S	*	9/1996	Ryaa et al.	D21/483
D379,287	S	*	5/1997	Carlson	D7/602
D398,663	S	*	9/1998	Freelander	D21/532
D558,419	S	*	12/2007	Zychlinski	D32/53
D614,804	S	*	4/2010	Davis	D27/102
D624,714	S	*	9/2010	Brochu	D30/162
2006/0156991	A1	*	7/2006	Burns et al.	119/161
2008/0179902	A1	*	7/2008	Phillips et al.	294/1.3
2010/0026022	A1	*	2/2010	Welch	294/1.3

* cited by examiner

Primary Examiner — Stella Reid
Assistant Examiner — Elizabeth J Oswecki

(57) **CLAIM**
The ornamental design container for pet waste, as shown and described.

DESCRIPTION

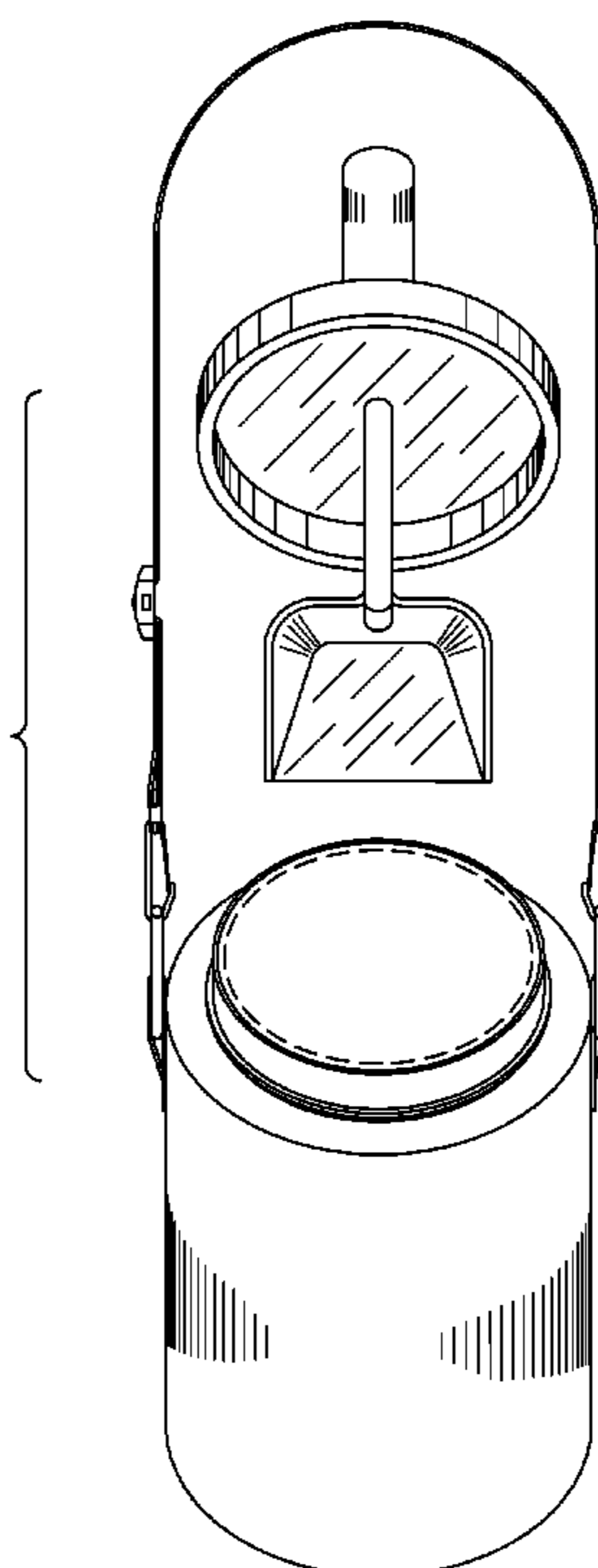
FIG. 1 is an exploded perspective view of a container for pet waste showing my new design, the lid being removed from the body of the container for ease of illustration;
 FIG. 2 is a front elevational view thereof, the rear elevational view being a mirror image of the front;
 FIG. 3 is a right side elevational view thereof, the left side elevational view being a mirror image of the right side elevational view;
 FIG. 4 is a top plan view thereof; and,
 FIG. 5 is a bottom plan view thereof.
 In the drawings, the broken lines in FIG. 1 depict portions of the design that form no part of the claim.

1 Claim, 2 Drawing Sheets

(56) **References Cited**

U.S. PATENT DOCUMENTS

332,043	A	*	12/1885	Brien	220/698
655,245	A	*	8/1900	Kimberlin	294/55
D87,968	S	*	10/1932	Lewis	D9/719
D227,919	S	*	7/1973	Howard	D30/161
D232,565	S	*	8/1974	Rosenberg	D30/161
D262,856	S	*	2/1982	MacTavish et al.	D7/320
D308,272	S		5/1990	Koepsell		
D312,157	S	*	11/1990	Sjolander	D32/53
D331,824	S		12/1992	Haas		
D334,638	S		4/1993	Blackman		
D348,176	S	*	6/1994	Sokolski et al.	D7/320



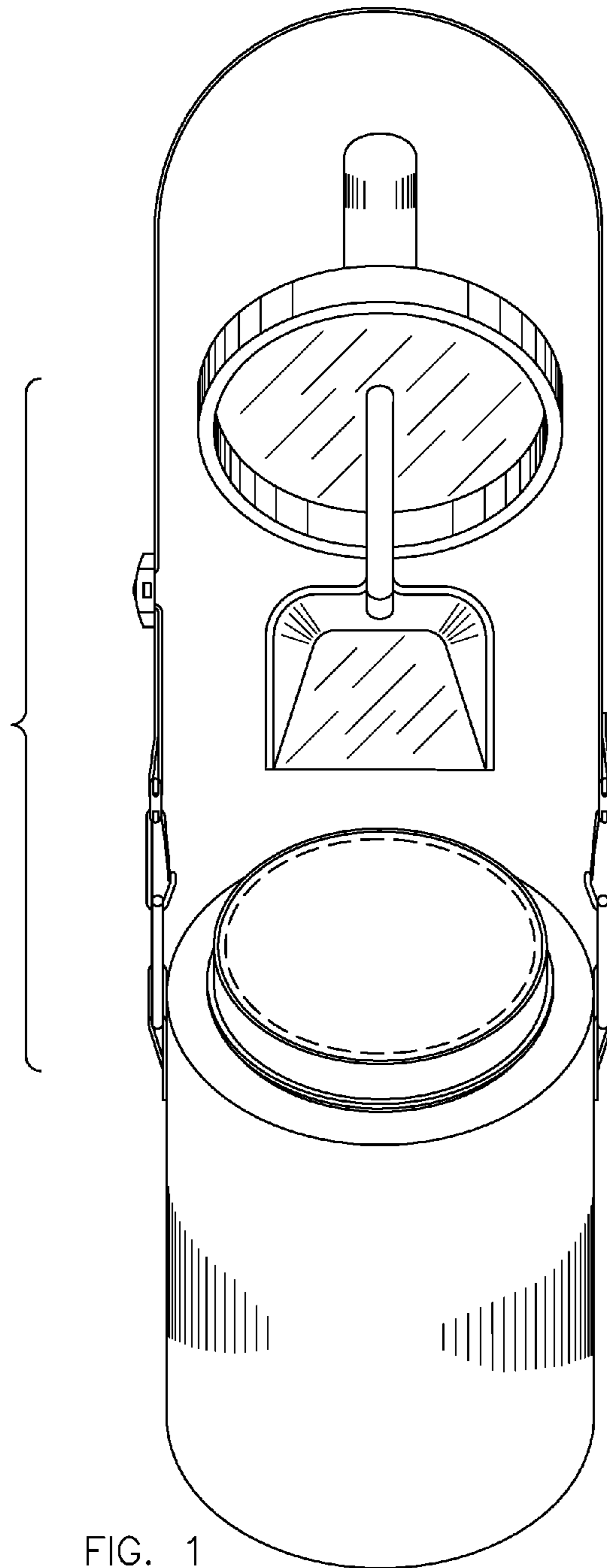


FIG. 1

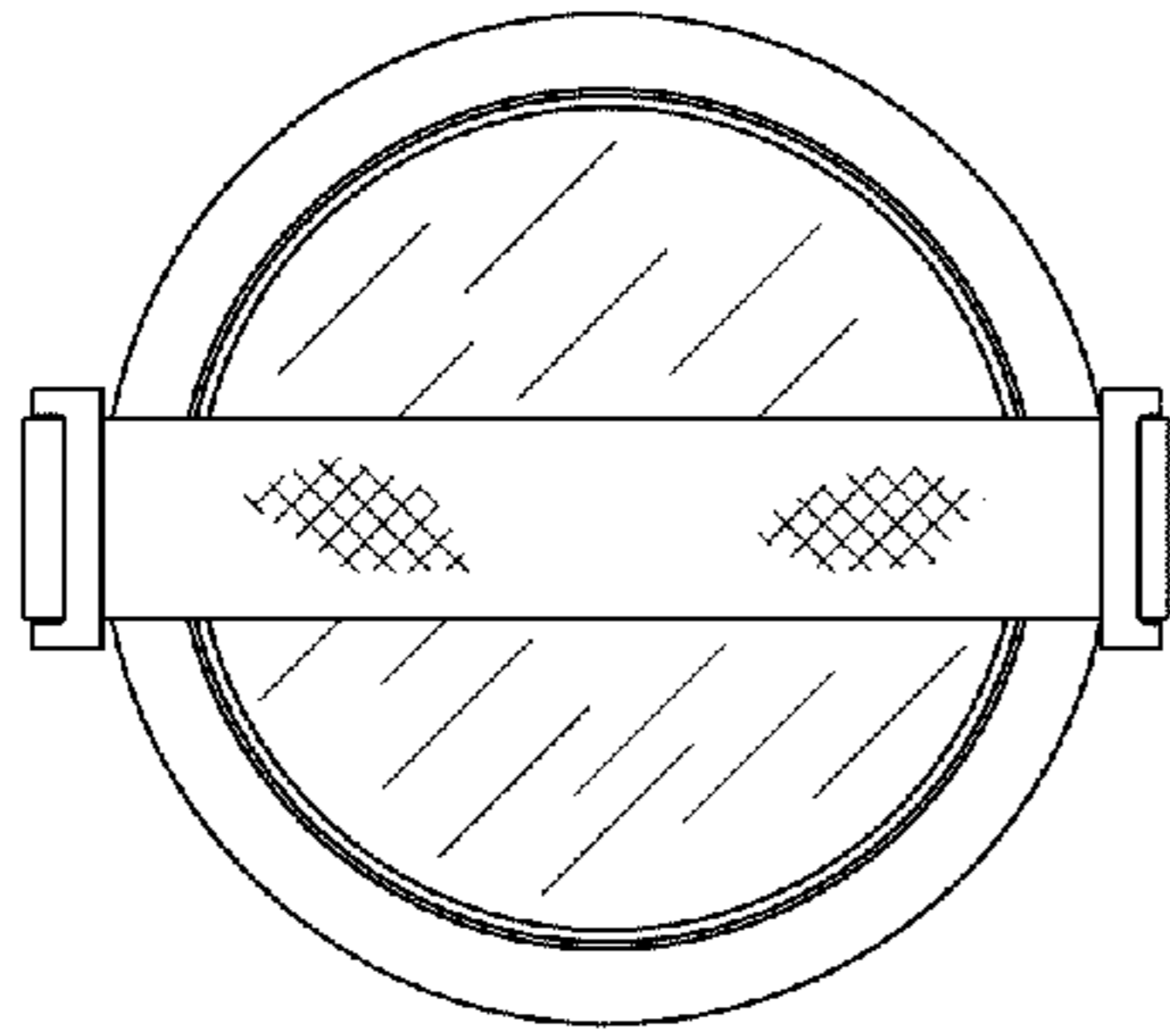


FIG. 4

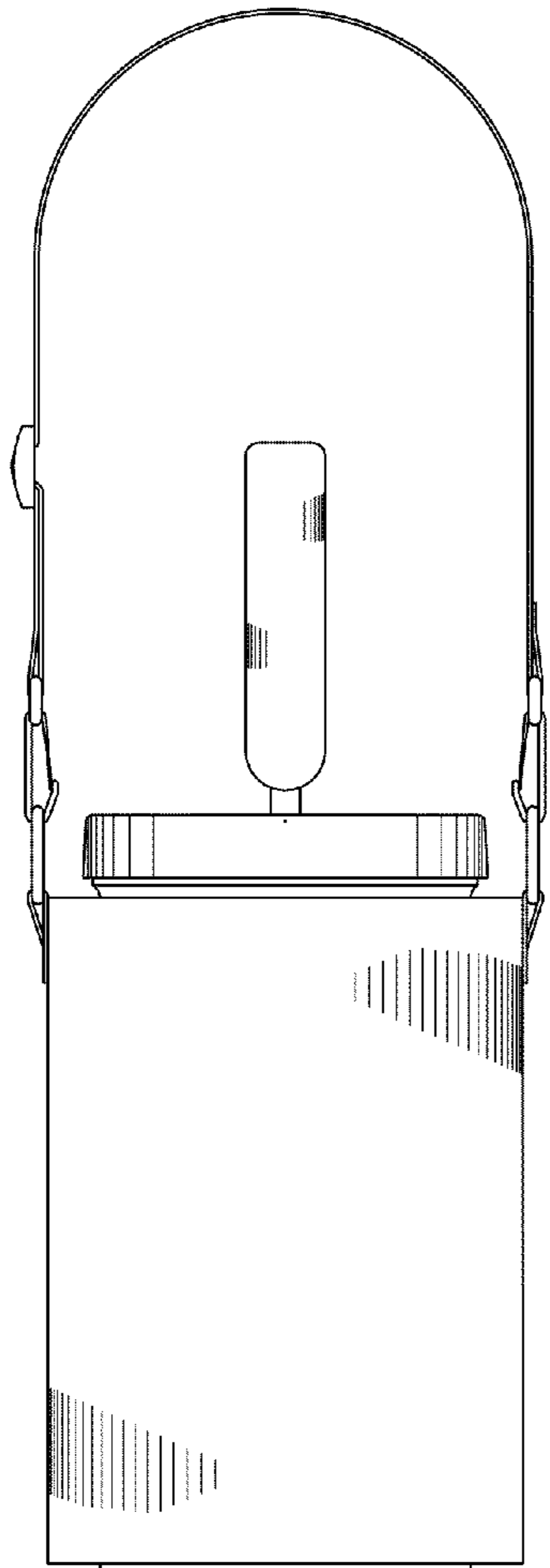


FIG. 2

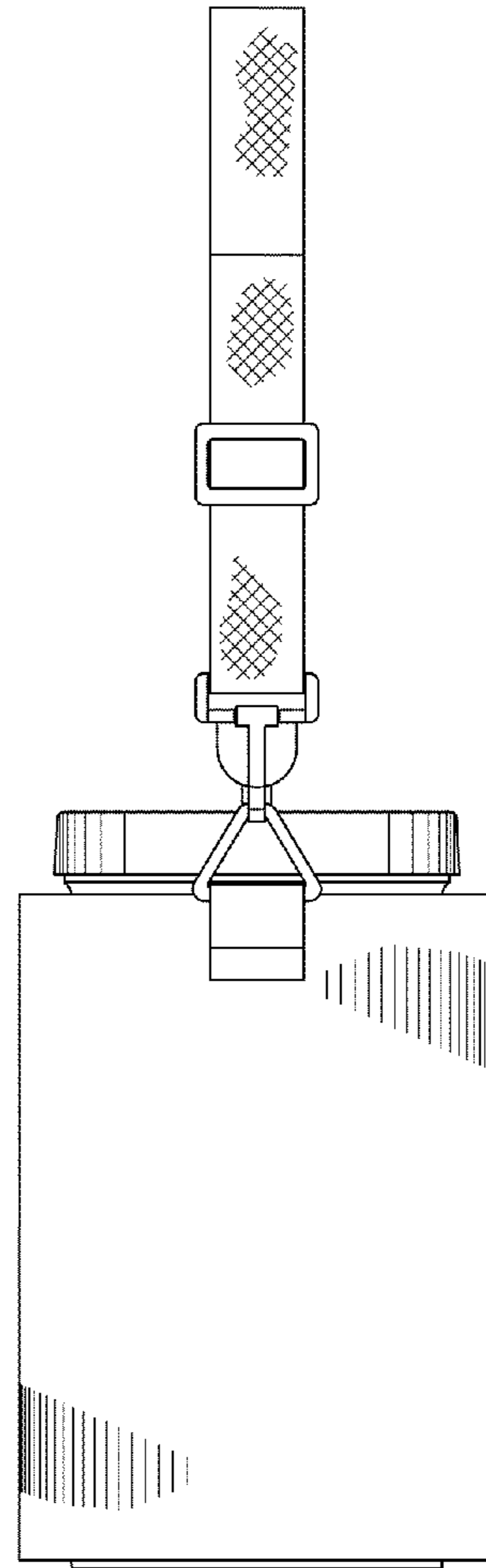


FIG. 3

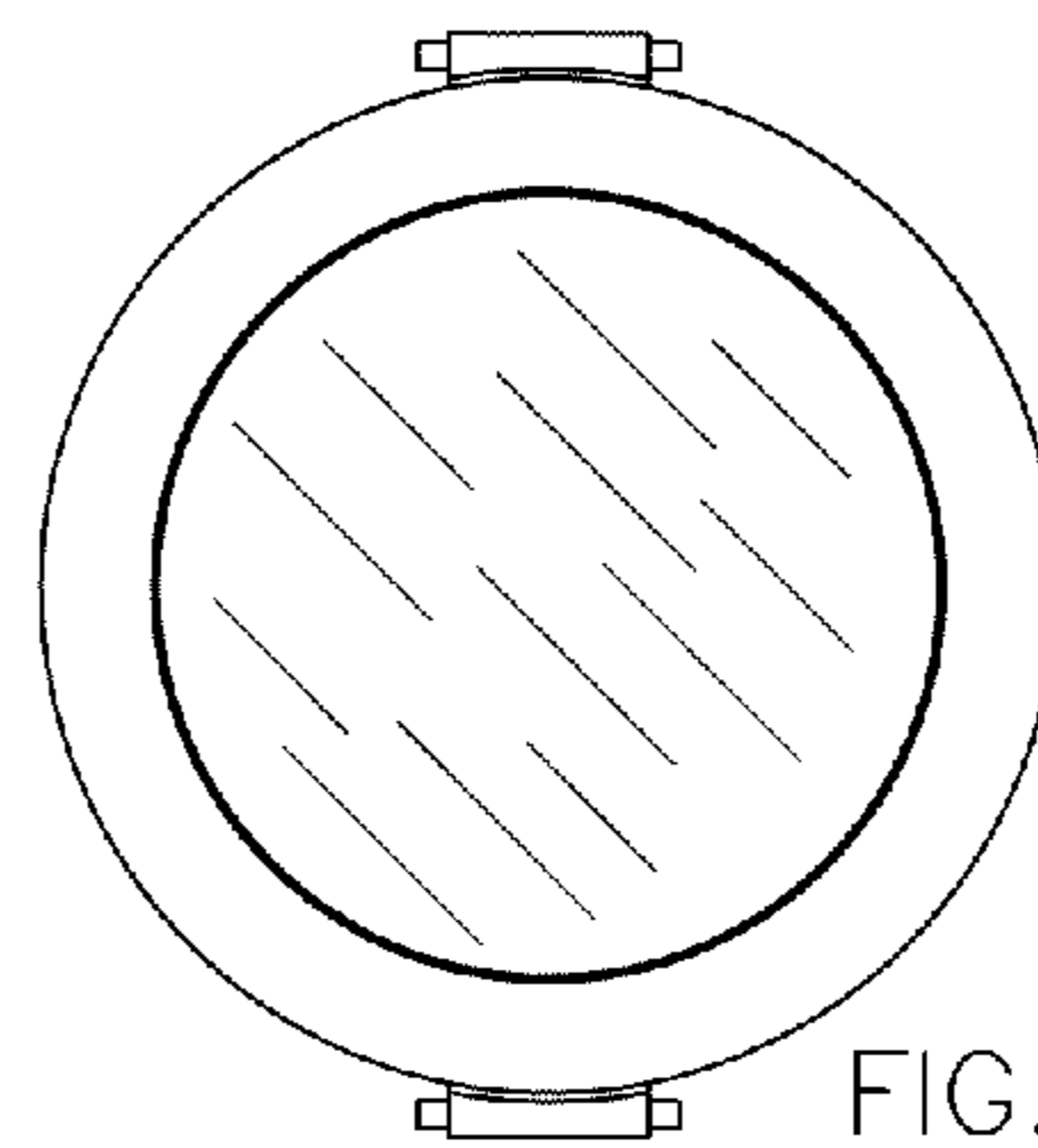


FIG. 5