



US00D642746S

(12) **United States Design Patent**
Weber

(10) **Patent No.:** **US D642,746 S**

(45) **Date of Patent:** **** Aug. 2, 2011**

(54) **PET WATERING BASE**

(75) Inventor: **Adam Weber**, Keller, TX (US)

(73) Assignee: **Doskocil Manufacturing Company, Inc.**, Arlington, TX (US)

(**) Term: **14 Years**

(21) Appl. No.: **29/384,493**

(22) Filed: **Jan. 31, 2011**

(51) **LOC (9) Cl.** **30-03**

(52) **U.S. Cl.** **D30/132; D30/121; D30/129**

(58) **Field of Classification Search** D30/123, D30/129, 132, 121; 119/69.5, 673, 57.8, 119/68, 74, 61.57, 78-81, 61.4, 57.9, 51.5, 119/61.5, 72; 47/66.6, 39, 67, 83; 239/27, 239/280, 200, 281, 280.5, 273, 16, 17, 20, 239/22; 4/644, 627, 638; D7/558; D11/144, D11/145, 153; D99/5, 24; 27/1; D23/201, D23/292; 248/127, 132, 137, 138, 158, 910; 215/10; D6/353, 352, 484, 360, 480, 488; 219/521; 329/442, 459

See application file for complete search history.

(56) **References Cited**

U.S. PATENT DOCUMENTS

3,112,733	A *	12/1963	Hugh	119/77
3,720,184	A *	3/1973	Pearce	119/51.5
3,903,845	A *	9/1975	Little	119/81
D278,371	S *	4/1985	Strickland	D30/132
4,573,434	A *	3/1986	Gardner	119/77
D289,808	S *	5/1987	Gardner	D30/122
D300,277	S *	3/1989	Clark	D30/122
4,840,143	A *	6/1989	Simon	119/52.1
4,896,627	A *	1/1990	Riddell	119/51.5
4,976,220	A *	12/1990	Gershman	119/475
D315,037	S *	2/1991	Clark	D30/122
D316,382	S *	4/1991	Lorenzana et al.	D11/164
D324,116	S *	2/1992	Skillius	D30/132
5,117,778	A *	6/1992	Imamura	119/51.5
D330,098	S *	10/1992	VanSkiver	D30/121
D332,846	S *	1/1993	Geuvjehizian	D30/122

D335,197	S *	4/1993	Strickland	D30/132
D338,746	S *	8/1993	Clark et al.	D30/122
5,259,336	A *	11/1993	Clark	119/51.5
5,277,149	A *	1/1994	East	119/51.5
D350,841	S *	9/1994	VanSkiver	D30/121
D350,842	S *	9/1994	VanSkiver	D30/121
D351,689	S *	10/1994	VanSkiver	D30/121
D358,629	S *	5/1995	Wefler	D22/122
D364,942	S *	12/1995	VanSkiver et al.	D30/121
D367,735	S *	3/1996	VanSkiver et al.	D30/121
5,501,178	A *	3/1996	Kemp	119/74
D371,643	S *	7/1996	Lillelund et al.	D30/122
D374,109	S *	9/1996	Lillelund et al.	D30/121
D383,797	S *	9/1997	Finnegan	D30/132
5,730,082	A *	3/1998	Newman	119/51.5
5,799,609	A *	9/1998	Burns et al.	119/74
D402,425	S *	12/1998	Lacz et al.	D30/121
5,842,437	A *	12/1998	Burns	119/74

(Continued)

Primary Examiner — Susan Moon Lee

(74) *Attorney, Agent, or Firm* — Dorsey & Whitney LLP

(57) **CLAIM**

I claim the ornamental design for a pet watering base, as shown and described.

DESCRIPTION

FIG. 1 is a top-right perspective view of a pet watering base. FIG. 2 is a front elevation view of the pet watering base of FIG. 1.

FIG. 3 is a rear elevation view of the pet watering base of FIG. 1.

FIG. 4 is a left-side elevation view of the pet watering base of FIG. 1.

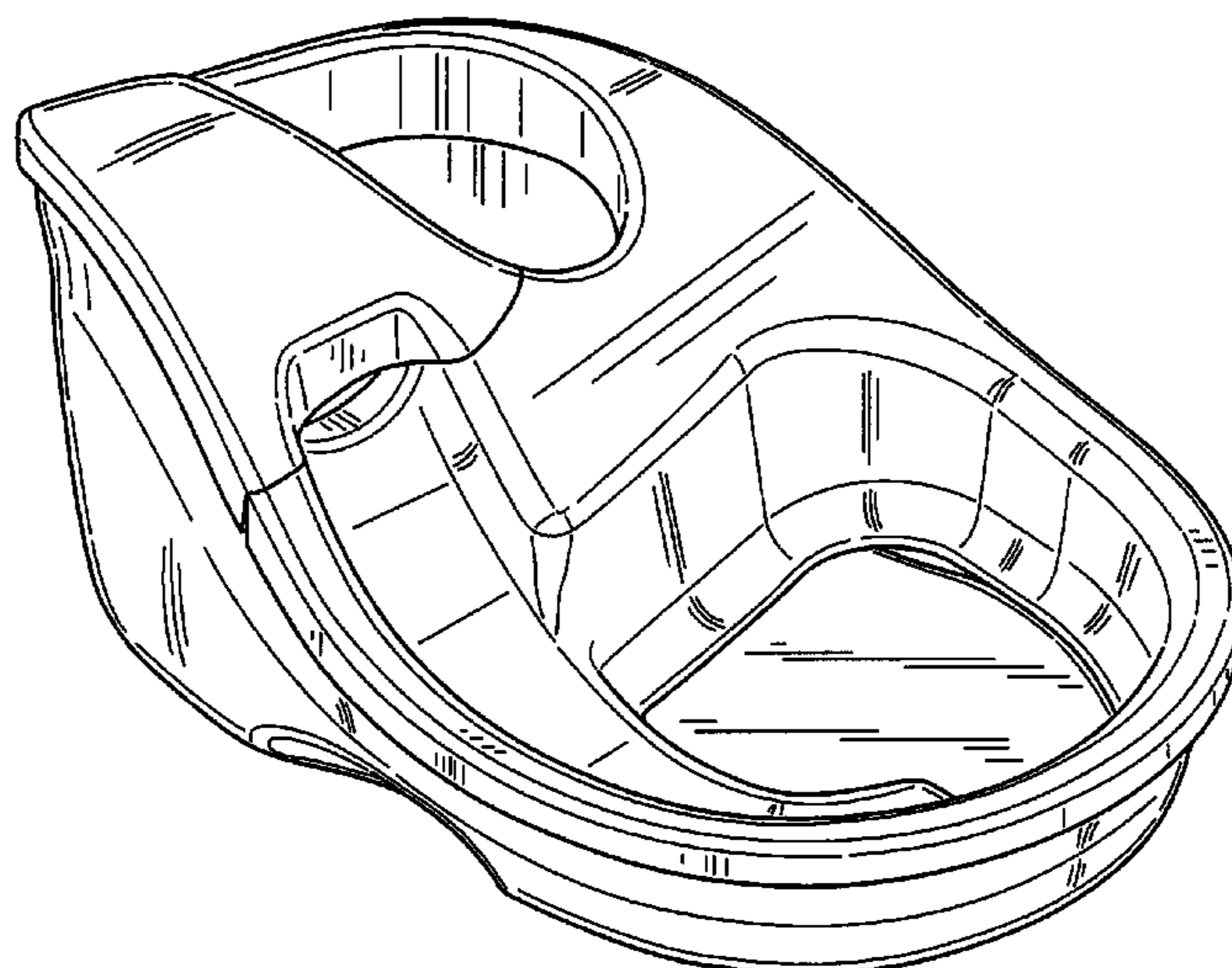
FIG. 5 is a right-side elevation view of the pet watering base of FIG. 1.

FIG. 6 is a top plan view of the pet watering base of FIG. 1; and,

FIG. 7 is a bottom plan view of the pet watering base of FIG. 1.

The elements in broken line are not claimed.

1 Claim, 7 Drawing Sheets



US D642,746 S

Page 2

U.S. PATENT DOCUMENTS

6,055,932	A *	5/2000	Weber	119/52.1	6,845,735	B1 *	1/2005	Northrop et al.	119/52.1
6,055,934	A *	5/2000	Burns et al.	119/74	6,863,025	B2 *	3/2005	Ness	119/72
6,079,361	A *	6/2000	Bowell et al.	119/72	6,868,801	B2 *	3/2005	Rovira Badia et al.	119/51.5
D428,217	S *	7/2000	Rodack et al.	D30/132	D504,545	S *	4/2005	Morosin et al.	D30/122
6,142,099	A *	11/2000	Lange, Jr.	119/51.5	7,040,249	B1 *	5/2006	Mushen	119/51.5
6,149,070	A *	11/2000	Hones	239/17	7,146,930	B1 *	12/2006	Ness	119/77
D455,526	S *	4/2002	Chrisco et al.	D30/121	D552,802	S *	10/2007	Kuster	D30/129
6,378,460	B1 *	4/2002	Skurdalsvold et al.	119/61.56	7,699,025	B2 *	4/2010	Ho	119/51.5
D457,275	S *	5/2002	Skurdalsvold et al.	D30/121	7,757,636	B2 *	7/2010	McCallum et al.	119/74
D457,692	S *	5/2002	Skurdalsvold et al.	D30/132	D621,555	S *	8/2010	Hewson et al.	D30/121
6,446,574	B2 *	9/2002	Bickley	119/55	D621,556	S *	8/2010	Hewson et al.	D30/121
6,467,428	B1 *	10/2002	Andrisin et al.	119/51.5	D629,974	S *	12/2010	Northrop	D30/132
D470,631	S *	2/2003	Teufel	D30/132	2002/0096120	A1 *	7/2002	Busha	119/51.5
D472,350	S *	3/2003	Northrop et al.	D30/121	2002/0189548	A1 *	12/2002	Northrop et al.	119/74
6,527,257	B1 *	3/2003	Schuld	261/29	2005/0252457	A1 *	11/2005	Morosin et al.	119/51.13
6,622,657	B2 *	9/2003	Northrop et al.	119/74	2008/0078330	A1 *	4/2008	McCallum et al.	119/72
6,739,284	B1 *	5/2004	Olive	119/74	2008/0202436	A1 *	8/2008	Romeu Guardia	119/52.1
D492,070	S *	6/2004	Evans et al.	D30/121	2009/0241843	A1 *	10/2009	Becattini et al.	119/51.5
D497,224	S *	10/2004	Remy	D30/121	2010/0024735	A1 *	2/2010	Ho	119/51.5
D498,564	S *	11/2004	Northrop et al.	D30/121	2011/0017141	A1 *	1/2011	Hewson et al.	119/51.5

* cited by examiner

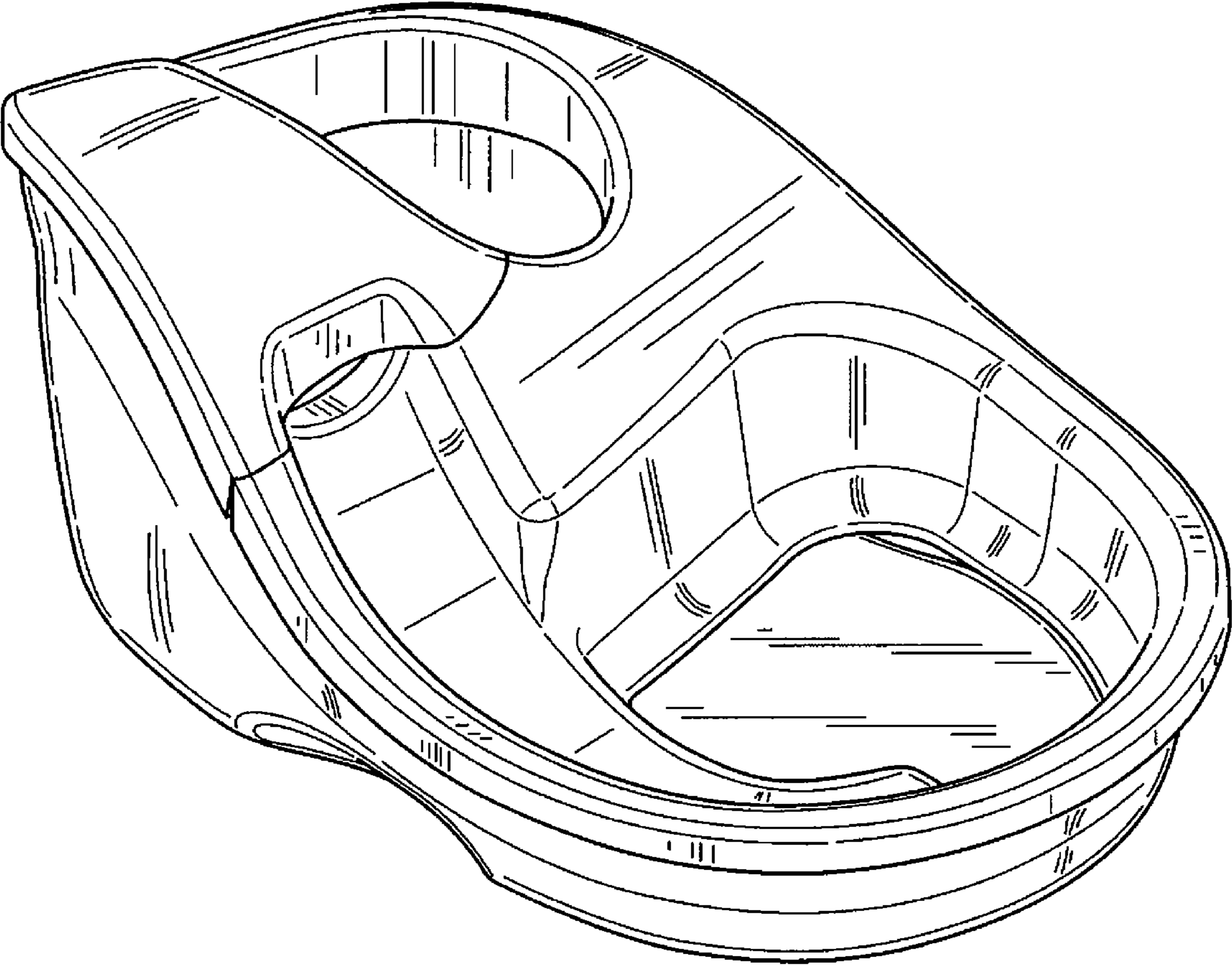


FIG.1

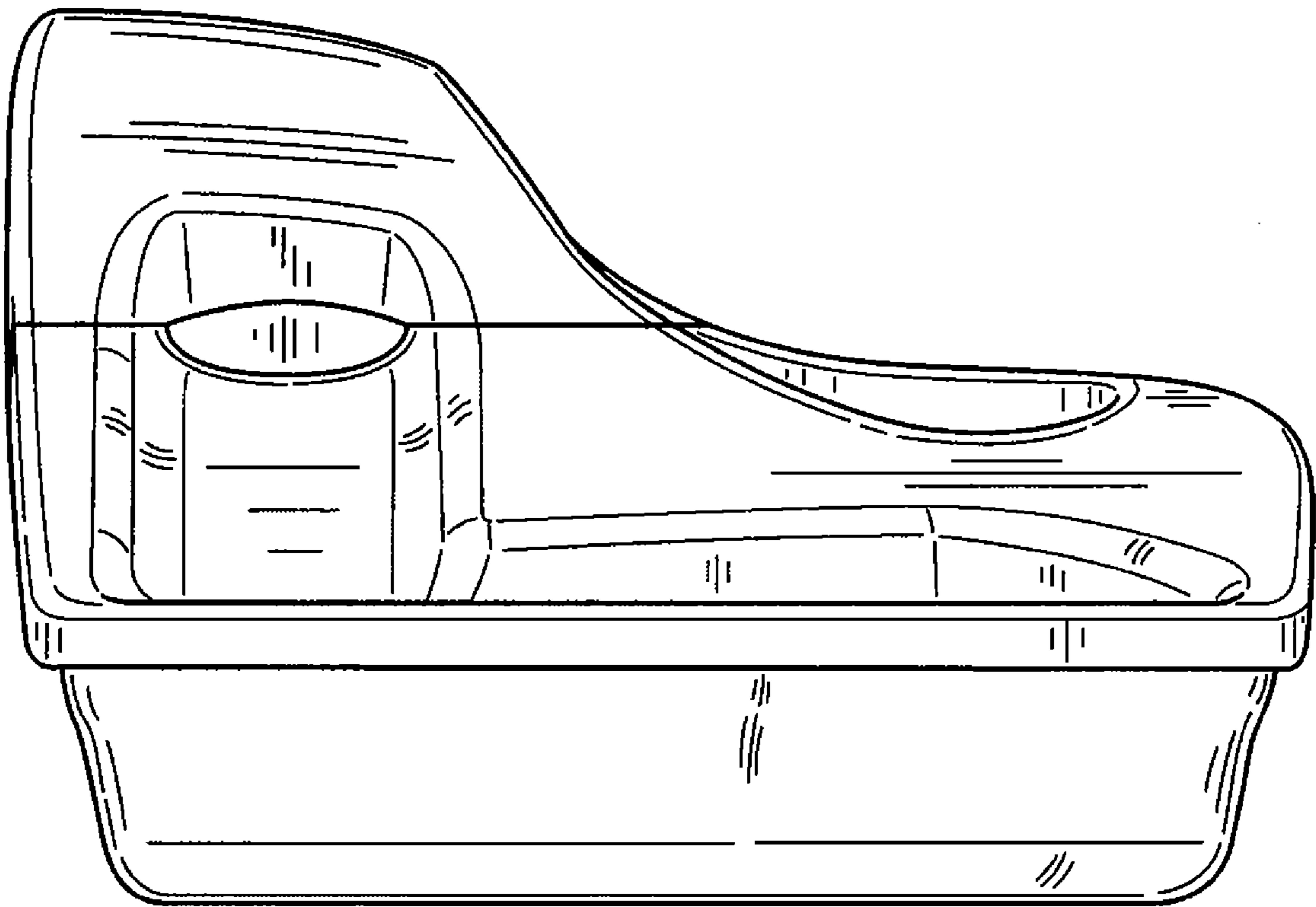


FIG. 2

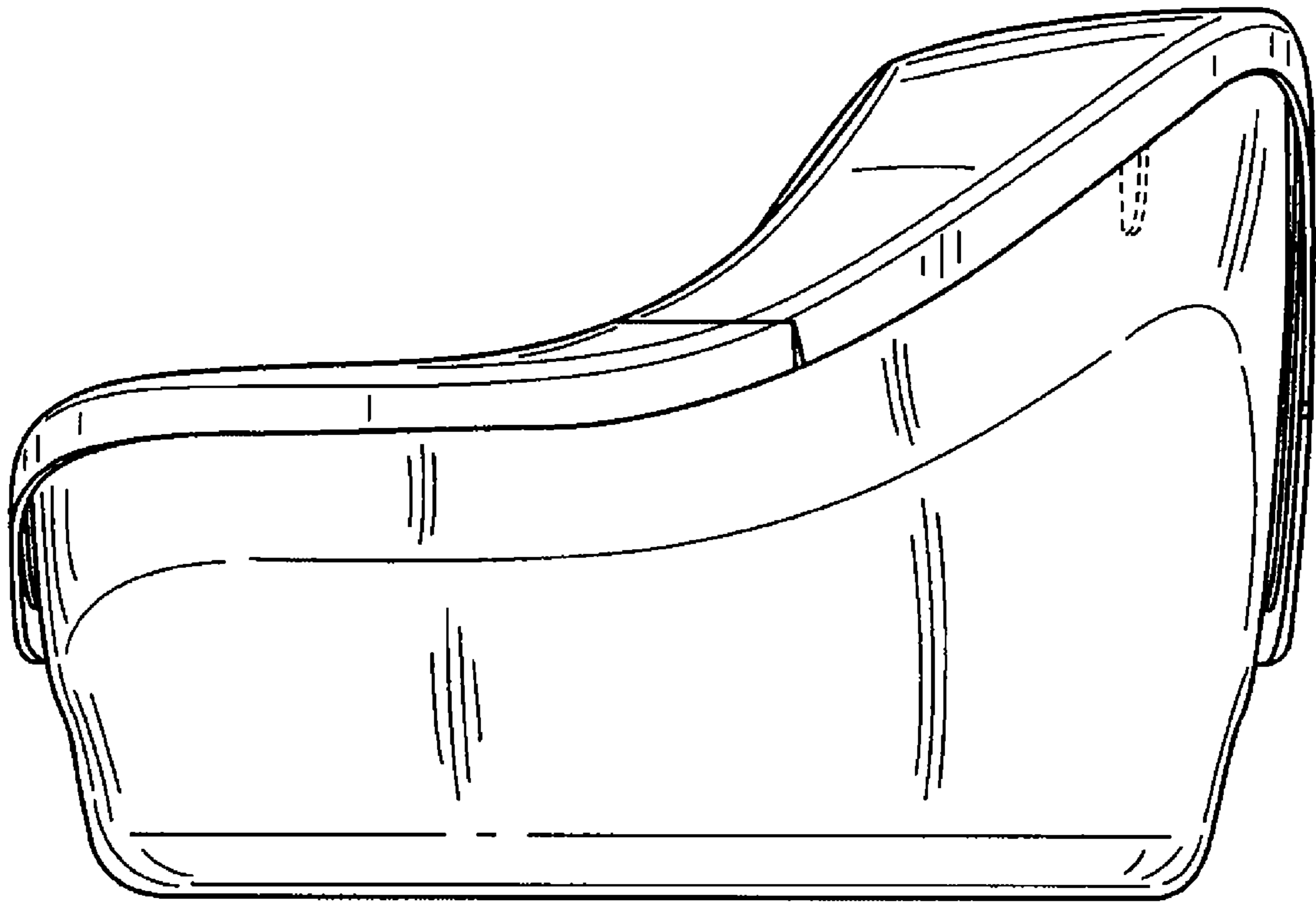


FIG.3

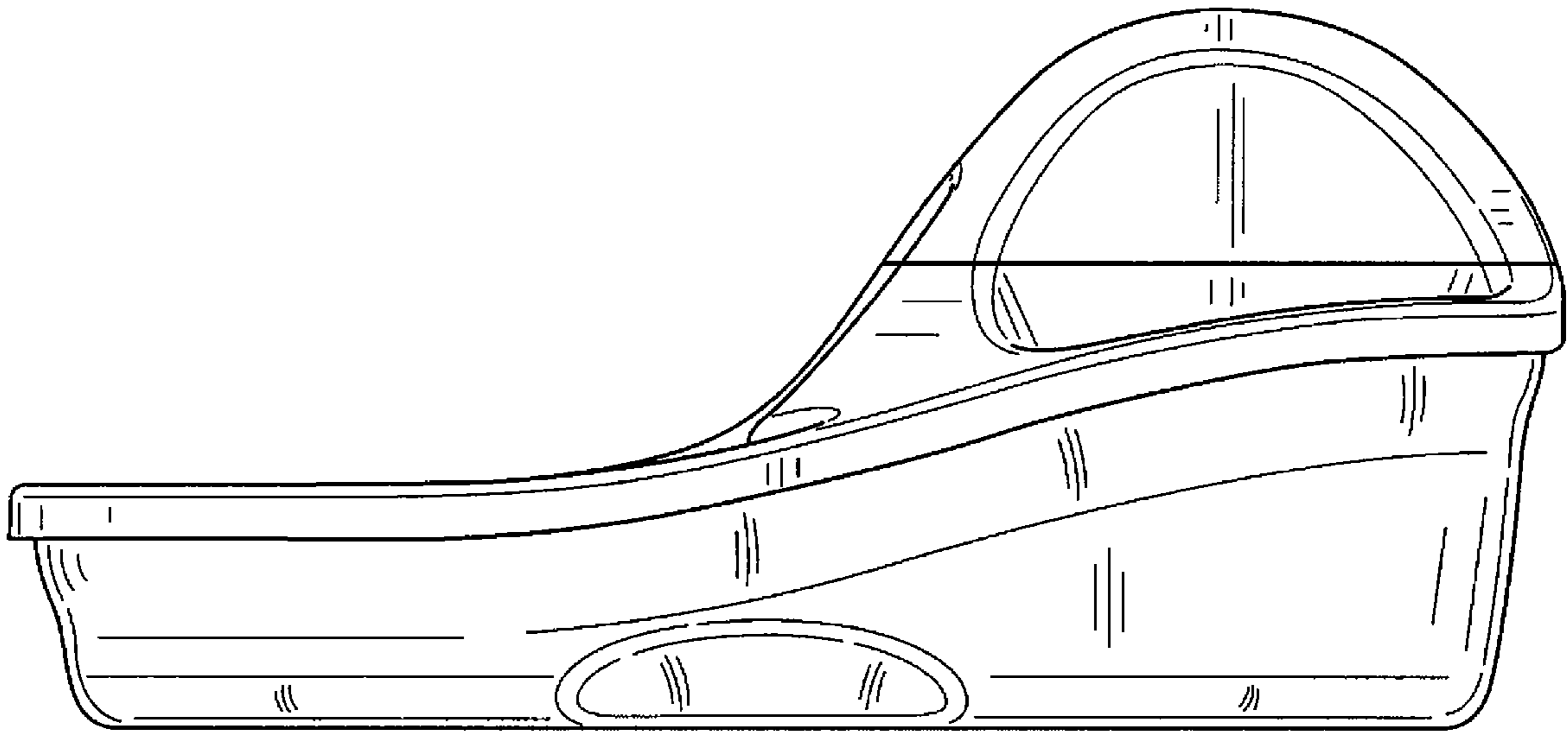


FIG.4

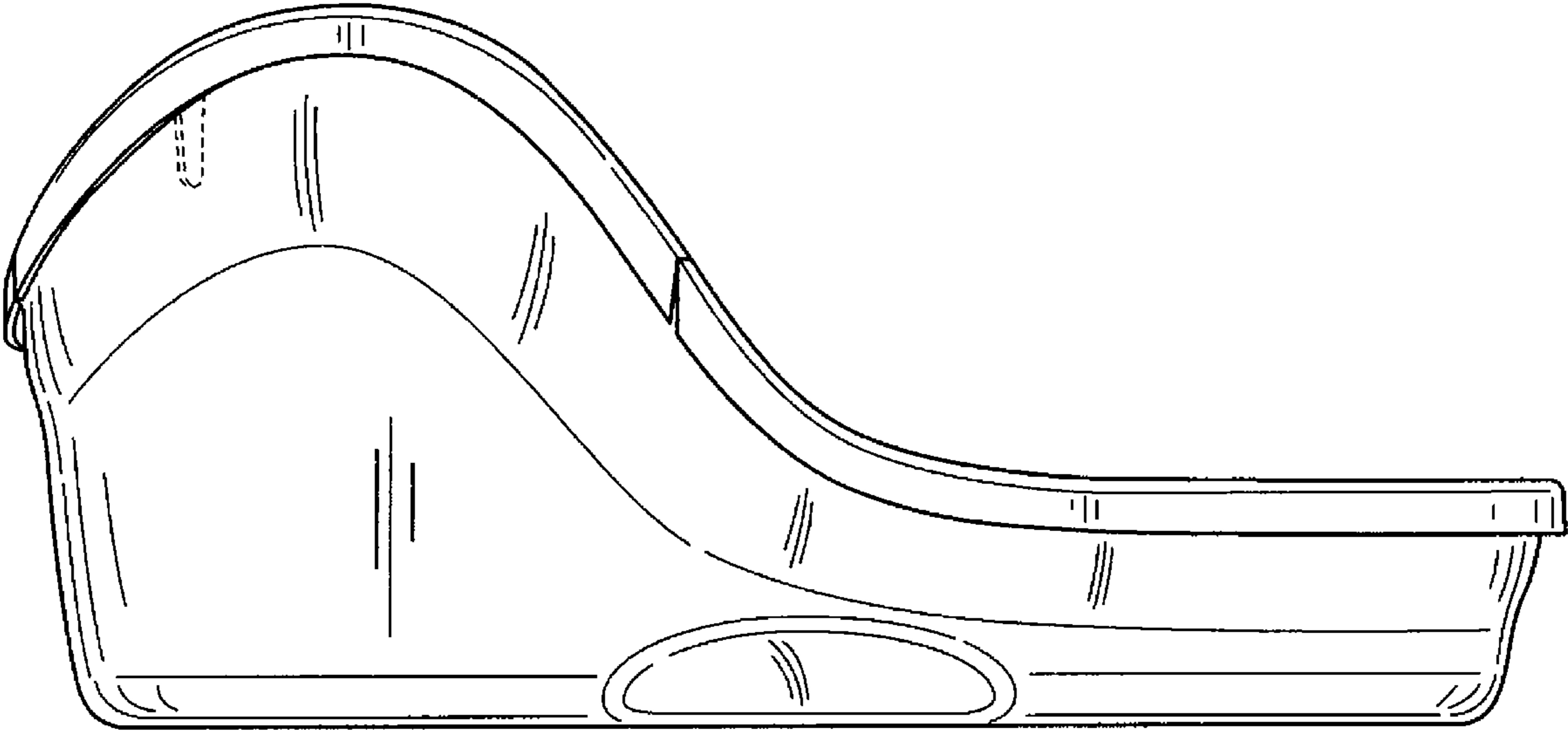


FIG.5

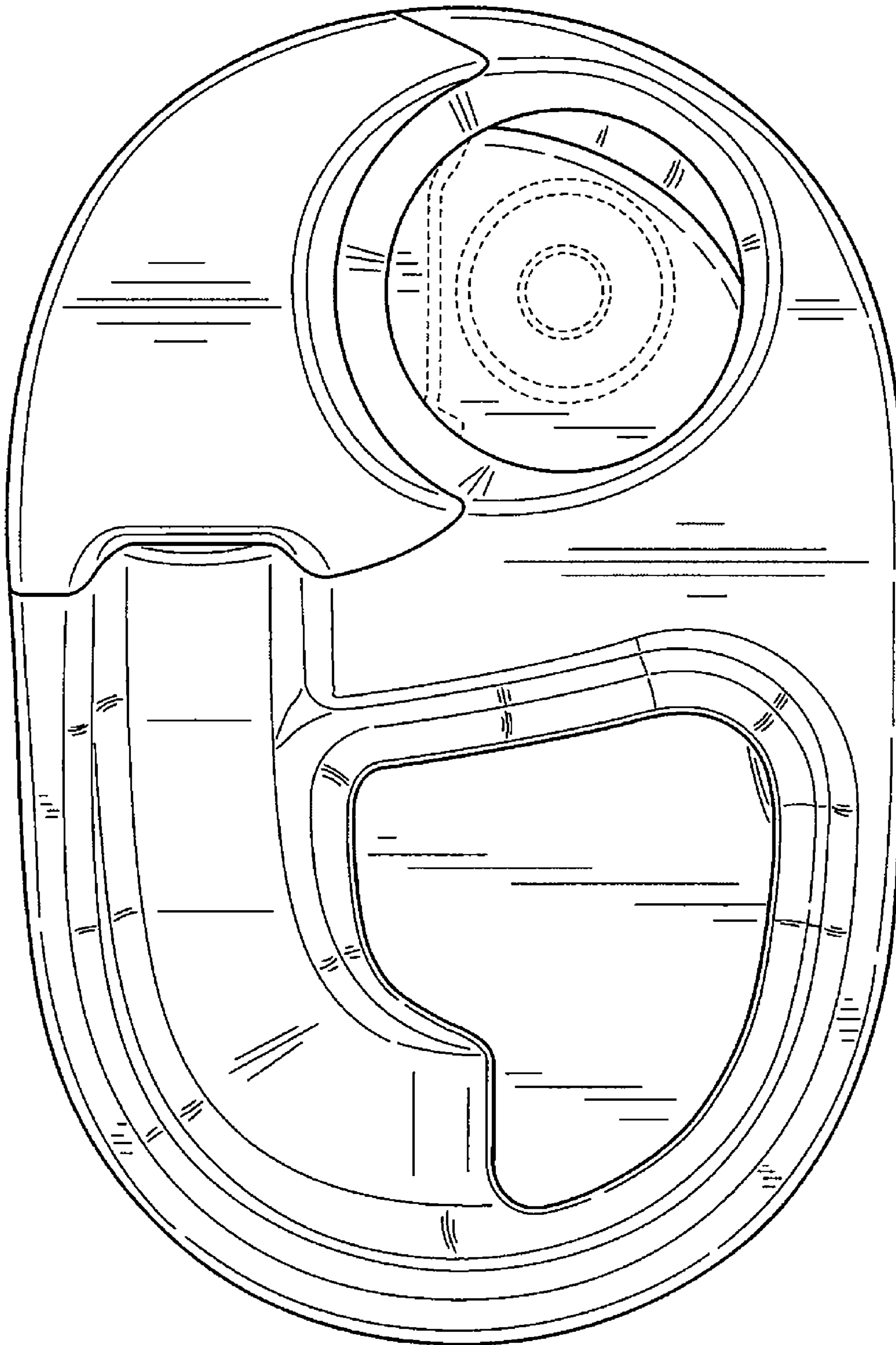


FIG. 6

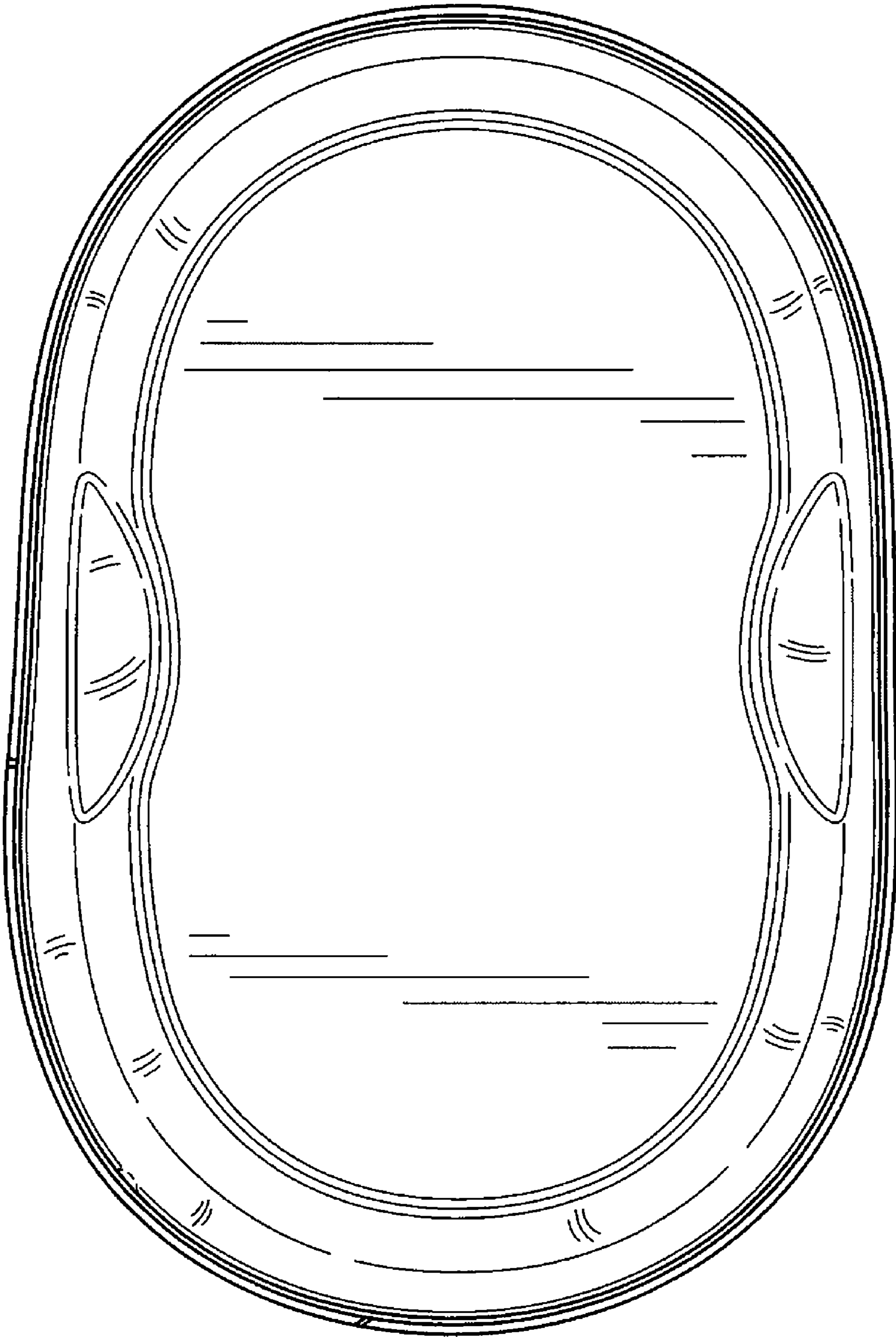


FIG.7