



US00D642743S

(12) **United States Design Patent**
Shteysel

(10) **Patent No.:** **US D642,743 S**

(45) **Date of Patent:** **** Aug. 2, 2011**

(54) **COSMETIC HOLDER**

(76) Inventor: **Zena Shteysel**, Sherman Oaks, CA (US)

(**) Term: **14 Years**

(21) Appl. No.: **29/359,687**

(22) Filed: **Apr. 14, 2010**

(51) **LOC (9) Cl.** **28-03**

(52) **U.S. Cl.** **D28/83**

(58) **Field of Classification Search** 206/823,
206/581; D28/73, 76-84, 64.1; 132/286-288,
132/293-307, 314-318

See application file for complete search history.

(56) **References Cited**

U.S. PATENT DOCUMENTS

| | | | | |
|--------------|---------|-----------|-------|--------|
| D422,120 S * | 3/2000 | Orsomando | | D28/83 |
| D453,859 S * | 2/2002 | Spearman | | D28/77 |
| D477,895 S * | 7/2003 | Goswell | | D28/83 |
| D480,837 S * | 10/2003 | Liu | | D28/83 |
| D485,018 S * | 1/2004 | Beilman | | D28/77 |
| D503,245 S * | 3/2005 | Vanoncini | | D28/78 |
| D597,256 S * | 7/2009 | Liden | | D28/83 |
| D601,757 S * | 10/2009 | Sagel | | D28/83 |
| D603,564 S * | 11/2009 | Liden | | D28/83 |

* cited by examiner

Primary Examiner — Jennifer Rivard

(74) *Attorney, Agent, or Firm* — Stroock & Stroock & Lavan
LLP

(57) **CLAIM**

The ornamental design for the cosmetic holder, as shown and described.

DESCRIPTION

FIG. 1 is a perspective view of the cosmetic holder in accordance with a first embodiment of the invention;

FIG. 2 is a top plan view thereof;

FIG. 3 is a front elevational view thereof;

FIG. 4 is a side elevational view thereof from either side thereof;

FIG. 5 is a rear elevational view thereof;

FIG. 6 is a bottom plan view thereof;

FIG. 7 is a perspective view of the cosmetic holder depicted in FIG. 1, with cosmetic containers therein (which cosmetic containers form no part of the claimed design);

FIG. 8 is perspective view of the cosmetic holder in accordance with a second embodiment of the invention;

FIG. 9 is a top plan view thereof;

FIG. 10 is a front elevational view thereof;

FIG. 11 is a side elevational view thereof from either side thereof;

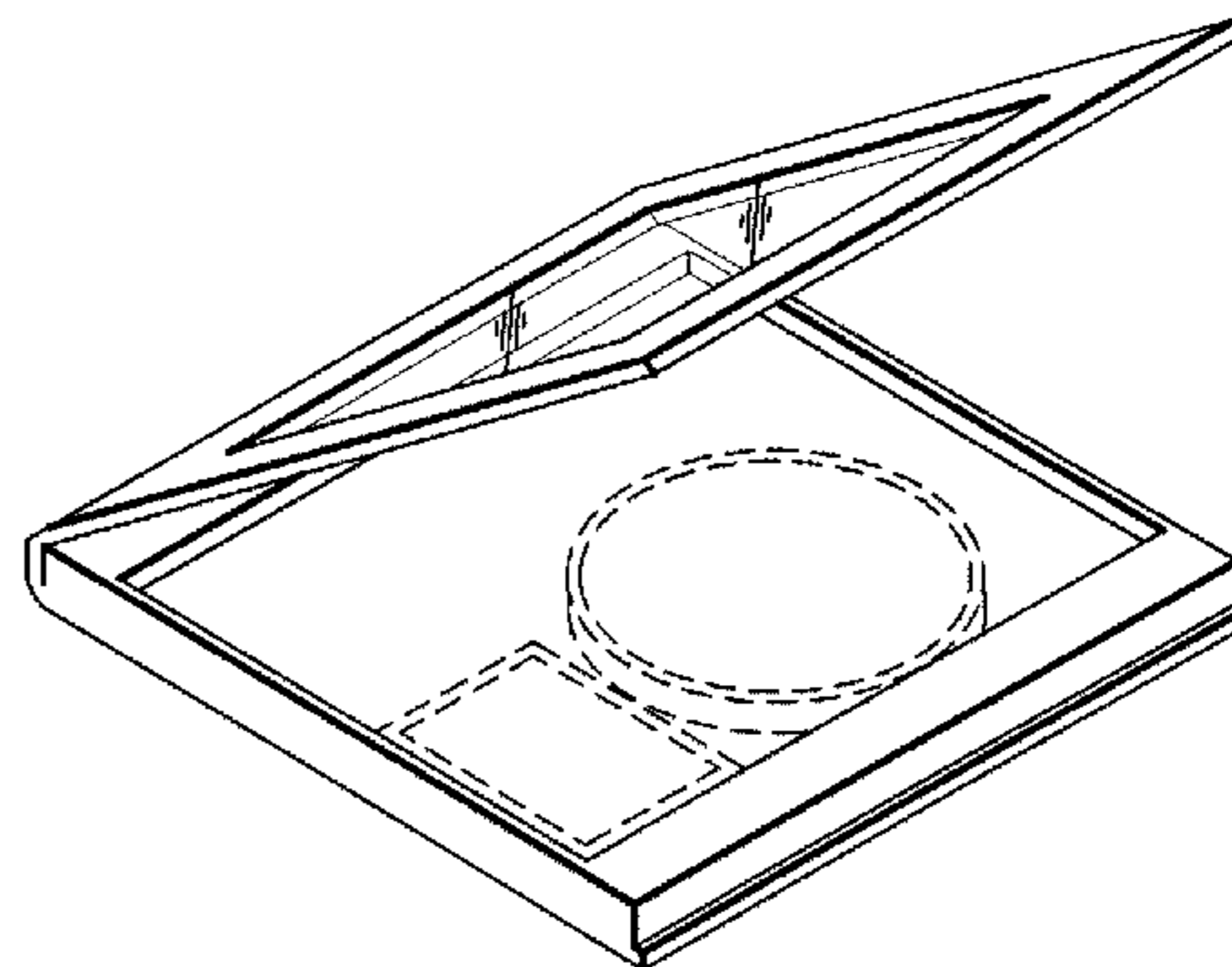
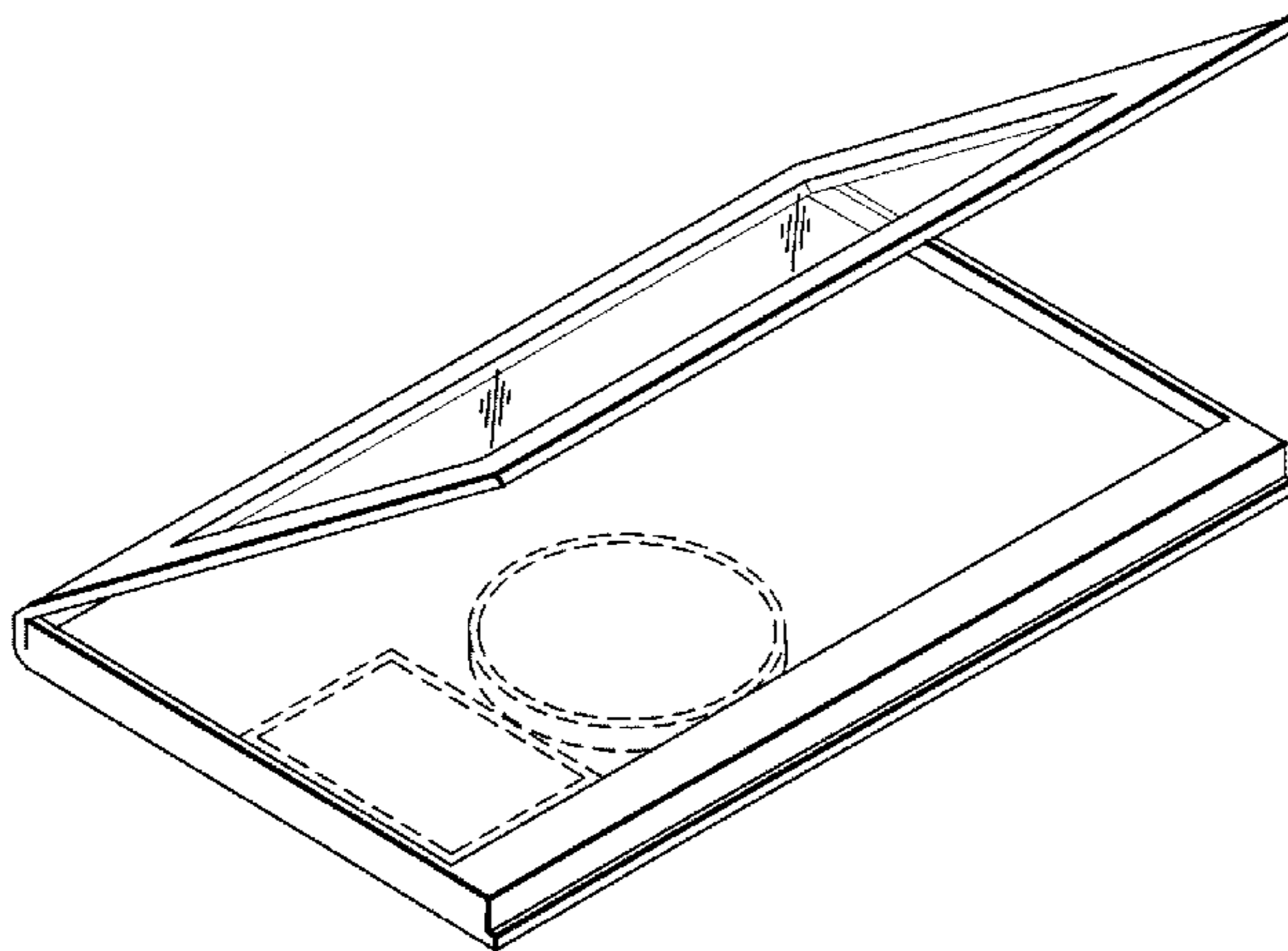
FIG. 12 is a rear elevational view thereof;

FIG. 13 is a bottom plan view thereof; and,

FIG. 14 is a perspective view of the cosmetic holder depicted in FIG. 8, with cosmetic containers therein (which cosmetic containers form no part of the claimed design).

The broken lines shown in the drawings illustrate cosmetic containers and form no part of the claimed design.

1 Claim, 6 Drawing Sheets



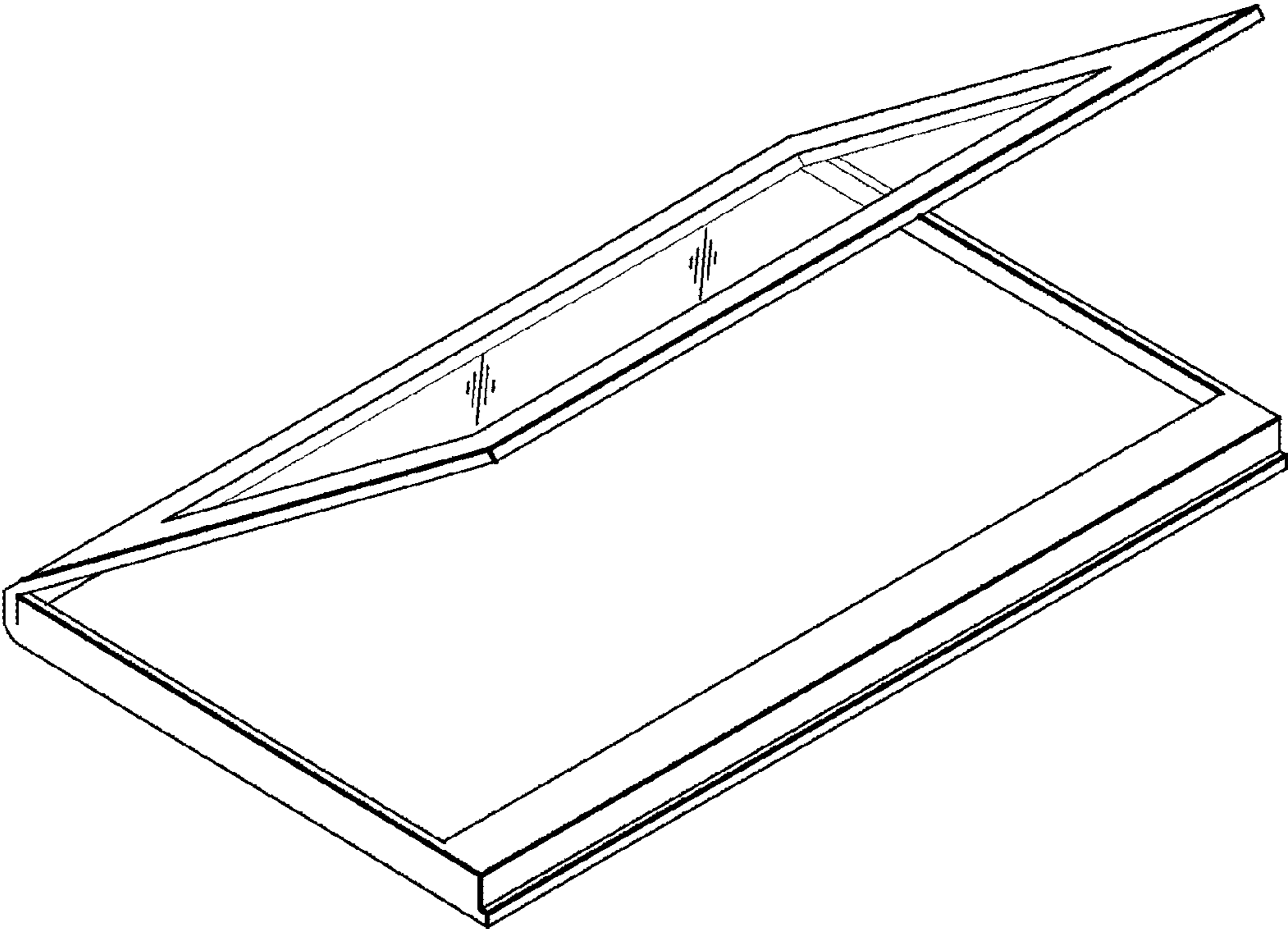


FIG. 1

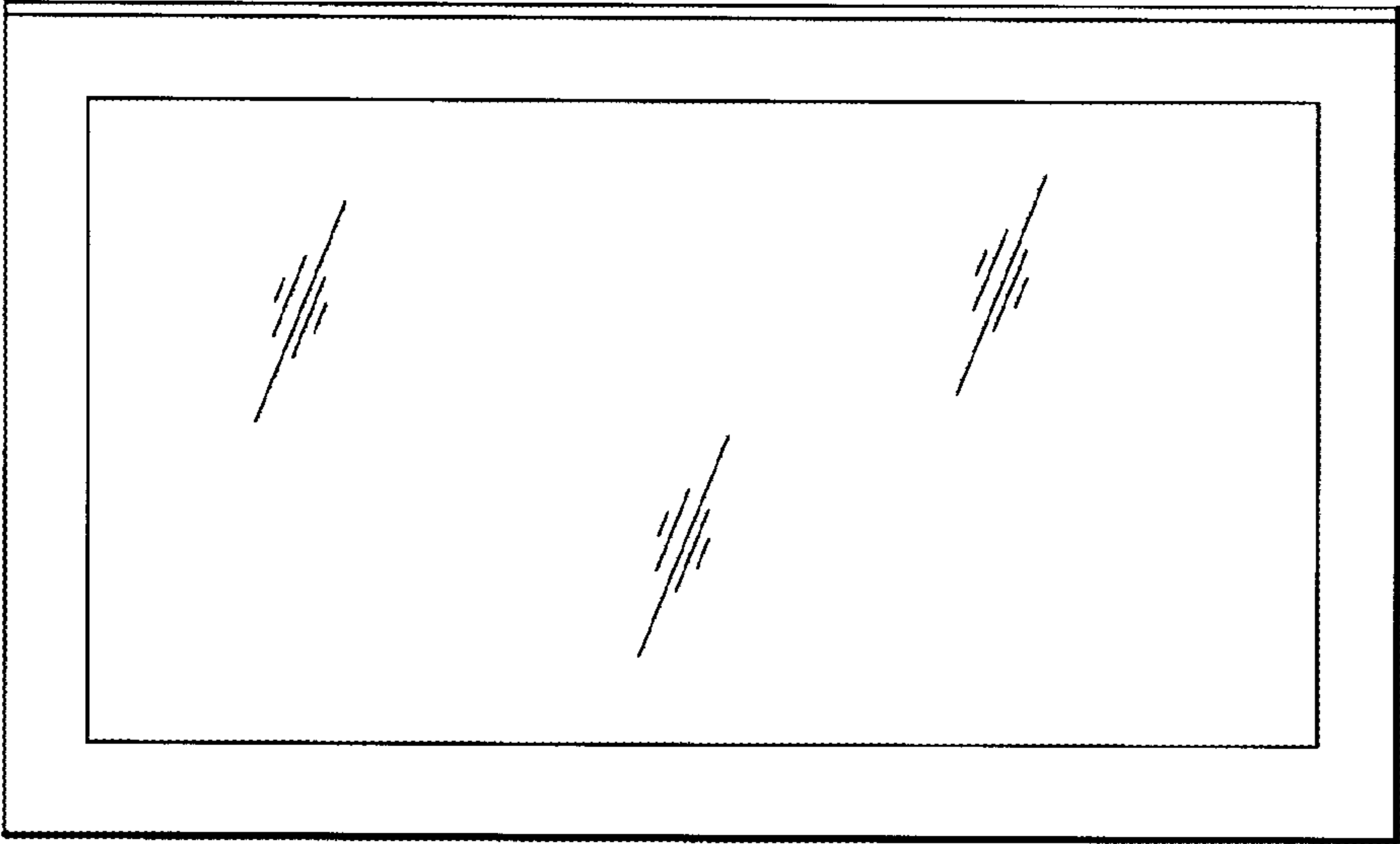


FIG. 2



FIG. 3



FIG. 5

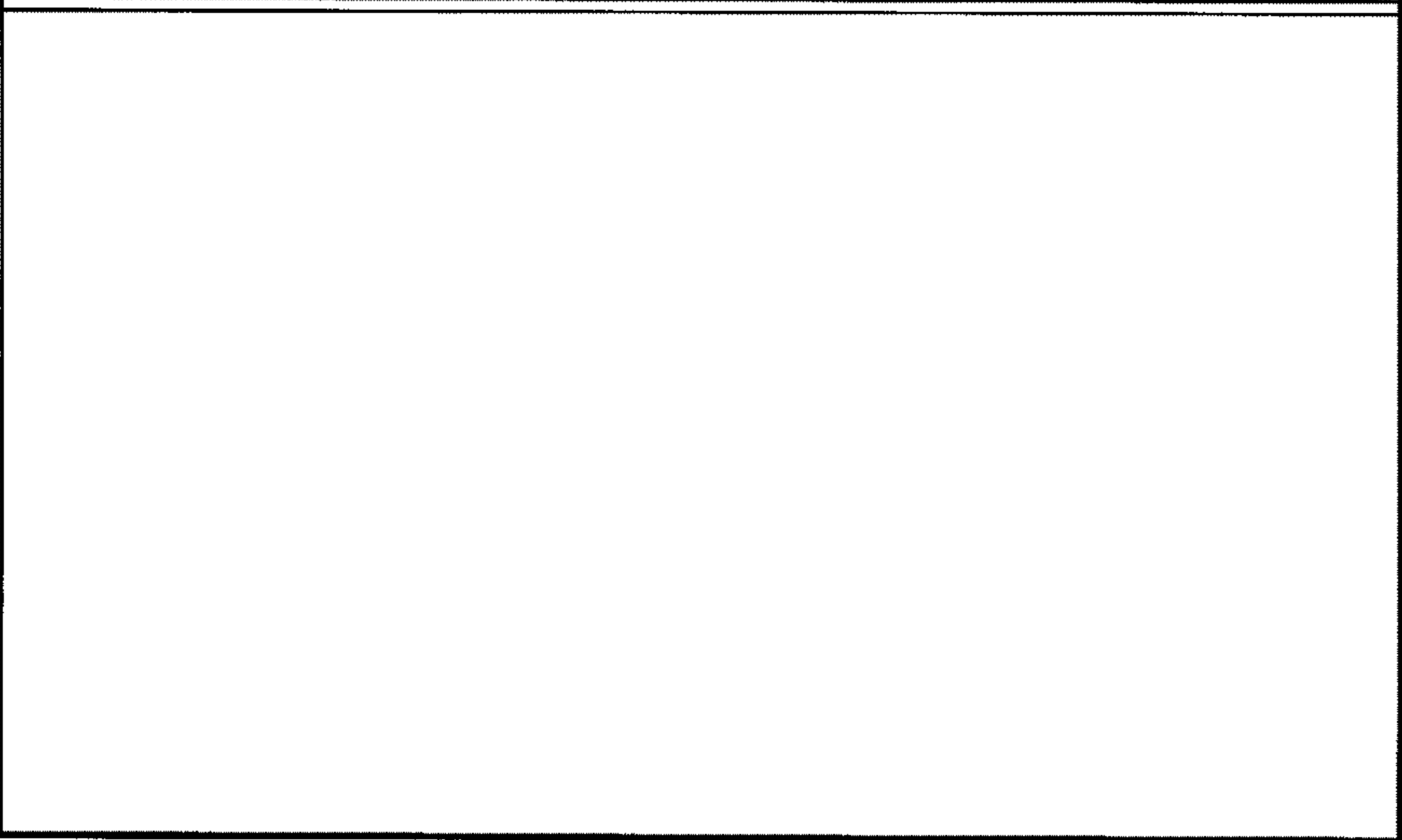


FIG. 6



FIG. 4

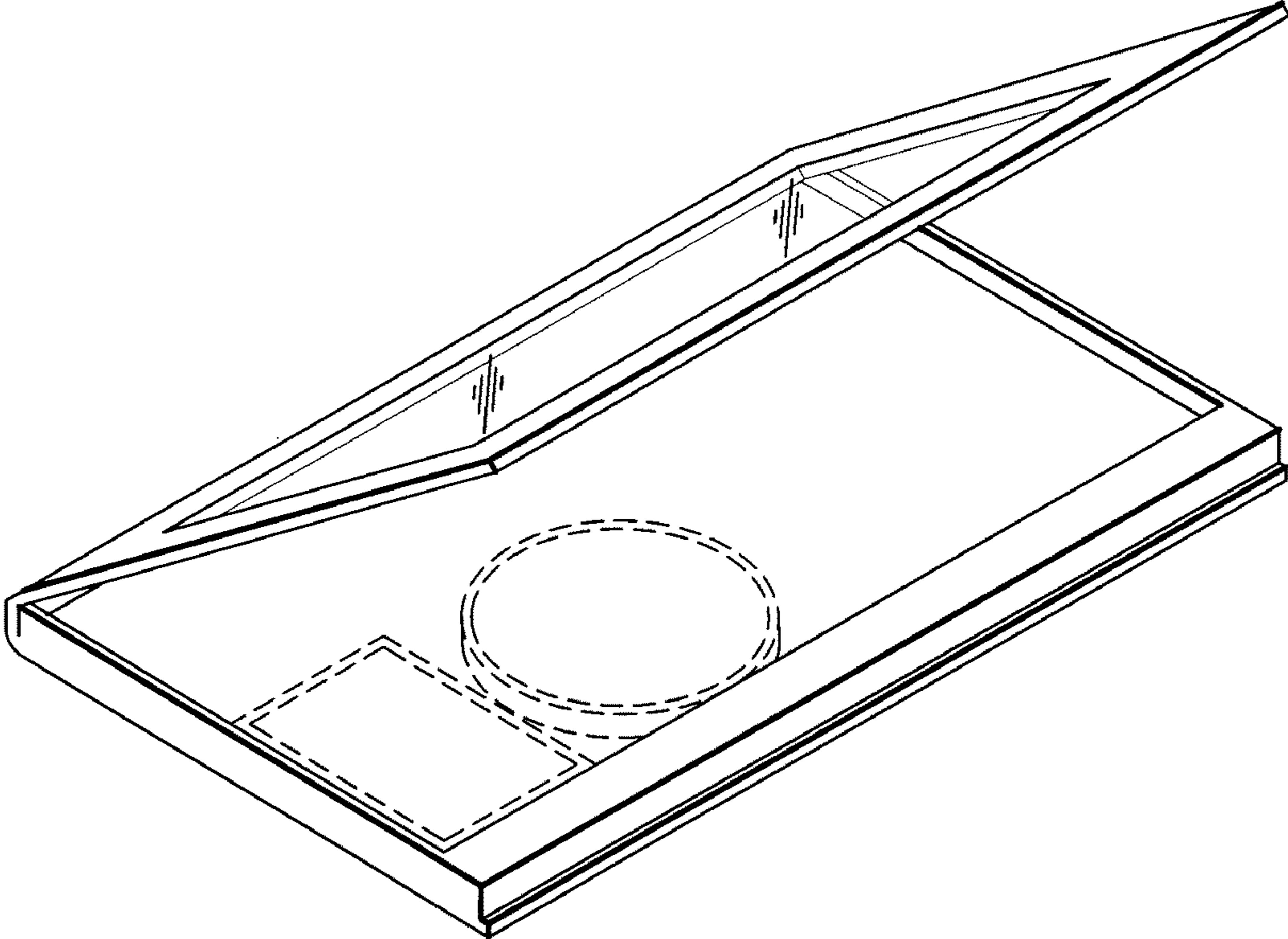


FIG.7

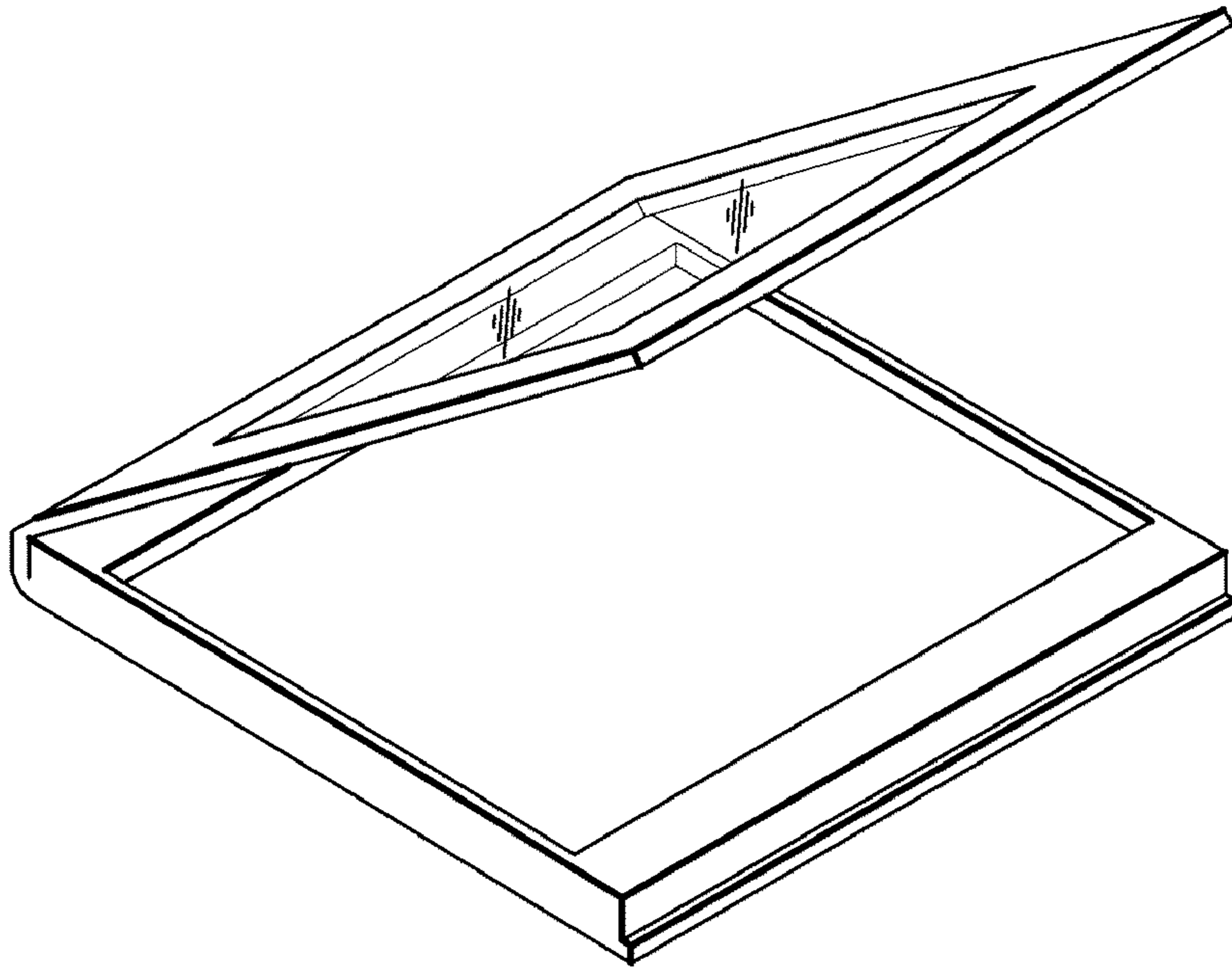


FIG. 8

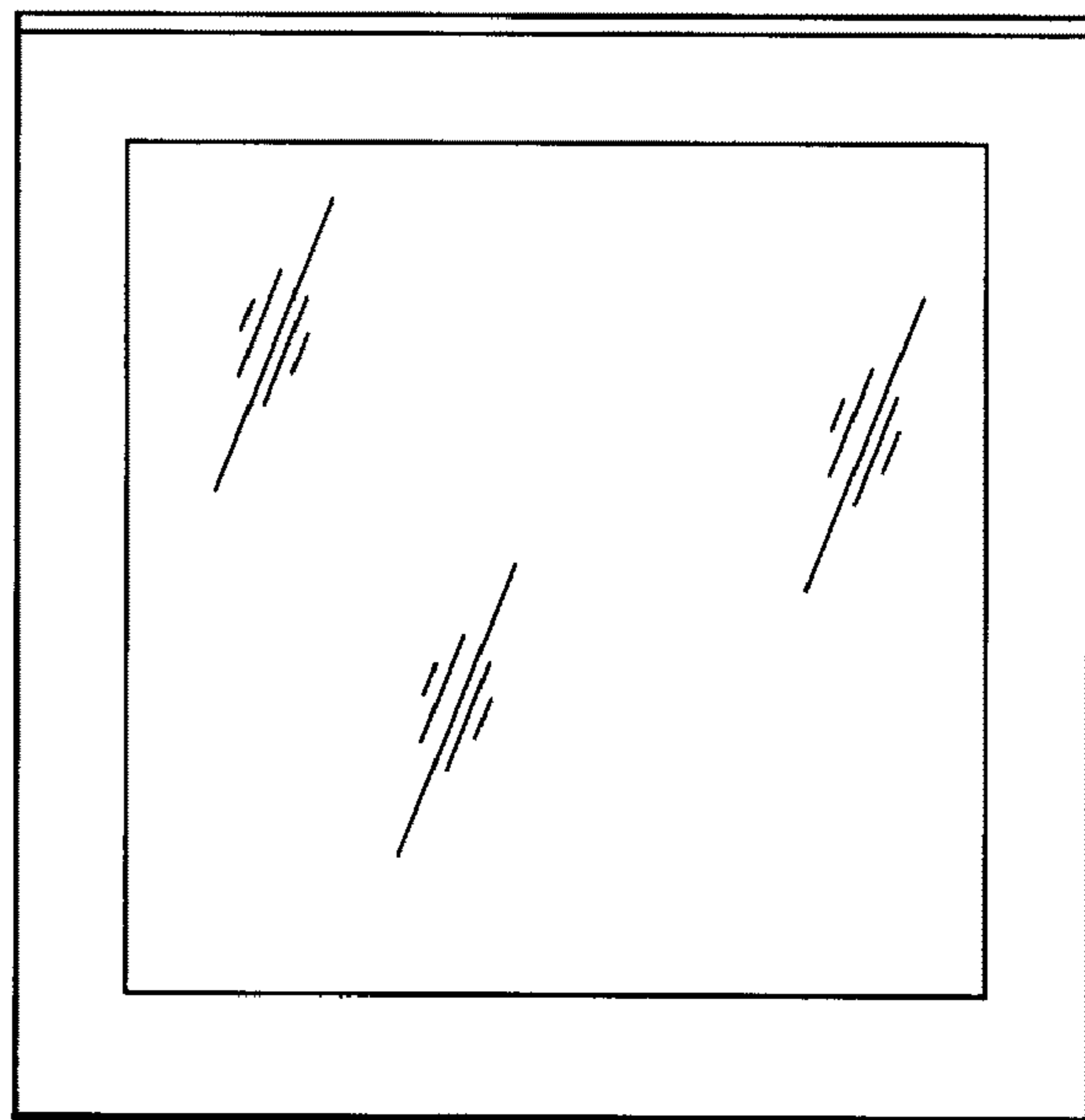


FIG. 9

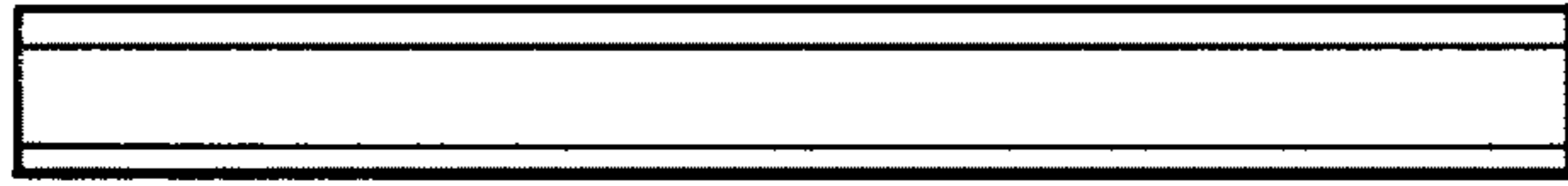


FIG. 10



FIG. 12

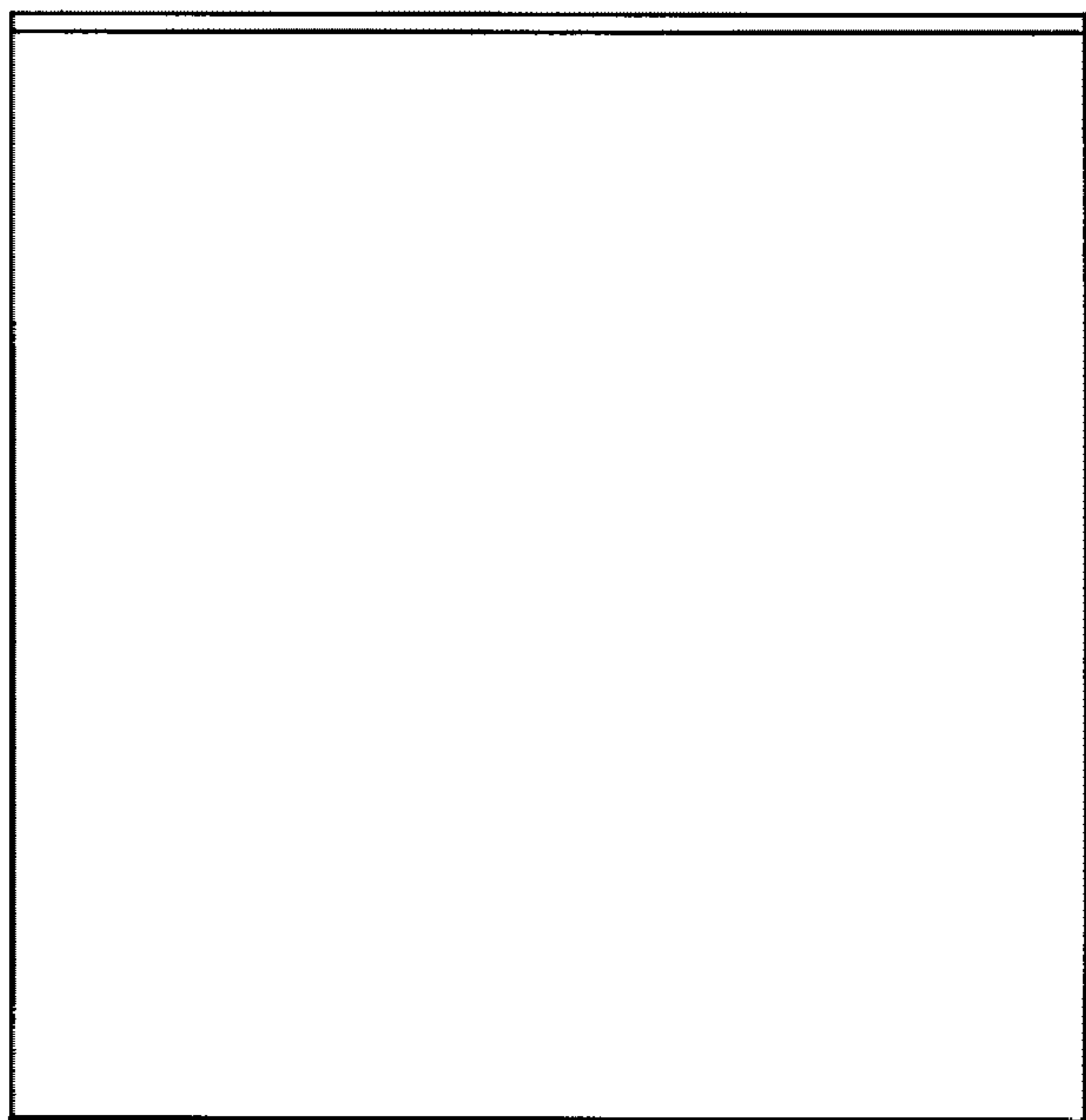


FIG. 13



FIG. 11

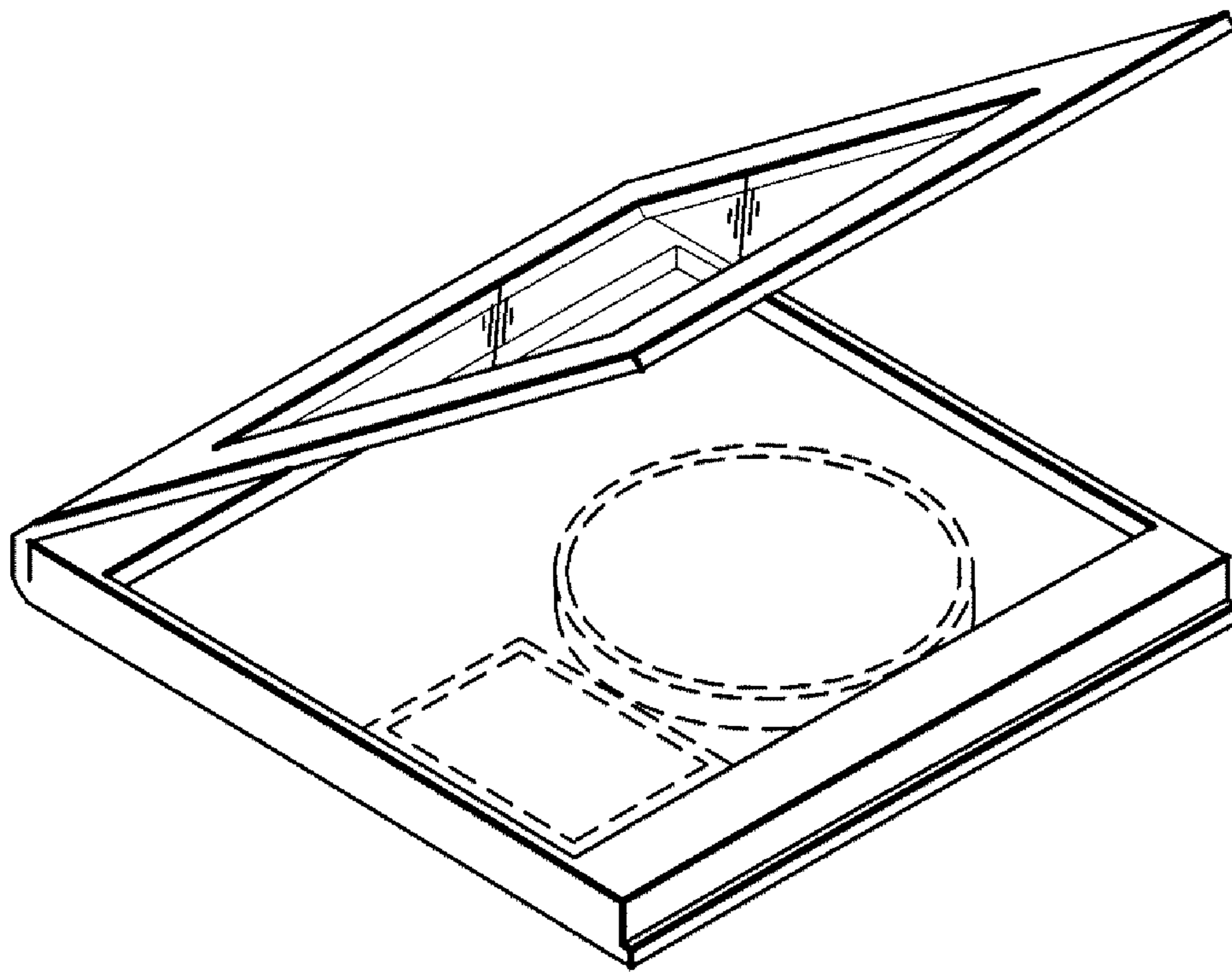


FIG. 14