



US00D642740S

(12) **United States Design Patent**
Chiodo et al.

(10) **Patent No.:** **US D642,740 S**

(45) **Date of Patent:** **** Aug. 2, 2011**

(54) **HAIRCUTTING APPLIANCE**

(75) Inventors: **Gino Chiodo**, Coraopolis, PA (US);
Emilio Cornacchione, Pittsburgh, PA
(US); **George McConnell Davison, III**,
Pittsburgh, PA (US); **Peter Arthur**
Meier, Pittsburgh, PA (US); **Jason Reed**
Rogge, Belle Vernon, PA (US); **Colin**
Derek Curry, Pittsburgh, PA (US)

(73) Assignee: **GER, LLC**, Pittsburgh, PA (US)

(**) Term: **14 Years**

(21) Appl. No.: **29/386,542**

(22) Filed: **Mar. 2, 2011**

(51) **LOC (9) Cl.** **28-03**

(52) **U.S. Cl.** **D28/44**

(58) **Field of Classification Search** 30/32, 32.05,
30/34.1-34.2, 41, 42, 43-43.92, 44-46, 47-51,
30/57-58, 77-84, 526-539, 346.5-346.56,
30/346.61, 233; D28/44-54; 132/213-214
See application file for complete search history.

(56) **References Cited**

U.S. PATENT DOCUMENTS

3,272,209 A * 9/1966 Kraus 132/213
4,520,565 A * 6/1985 Maggiore 30/201

5,213,116 A * 5/1993 Stein 132/213.1
5,427,122 A * 6/1995 Hamilton 132/214
6,164,290 A * 12/2000 Andrews 132/215
6,267,119 B1 * 7/2001 Silva 132/213
6,494,214 B1 * 12/2002 Coldicott 132/213.1
2004/0087973 A1 * 5/2004 Shobeiri 606/133
2010/0185213 A1 * 7/2010 Lam 606/131

* cited by examiner

Primary Examiner — Jennifer Rivard

(74) *Attorney, Agent, or Firm* — Buchanan Ingersoll &
Rooney PC

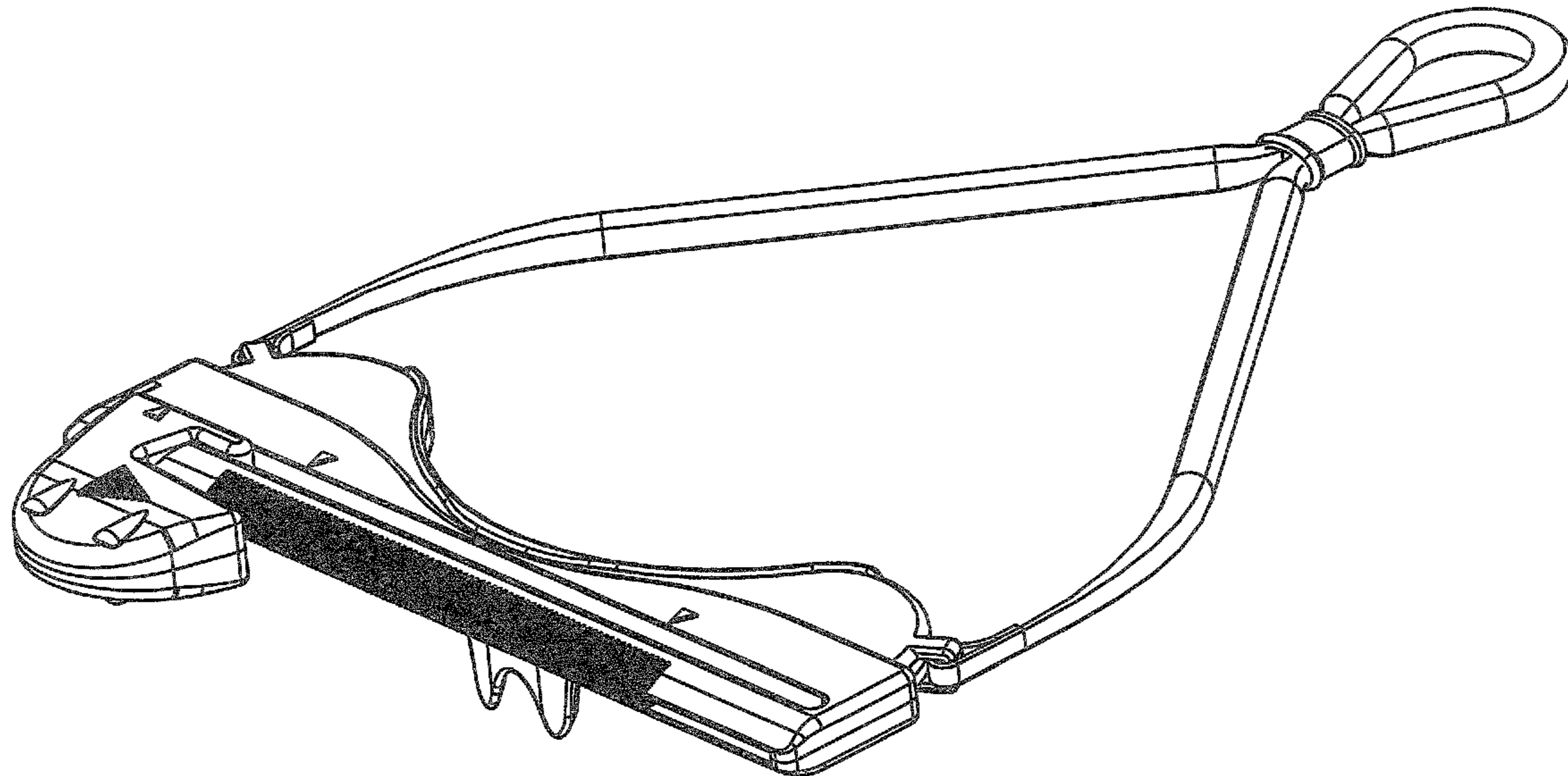
(57) **CLAIM**

The ornamental design for an haircutting appliance, as shown
and described.

DESCRIPTION

FIG. 1 is a first perspective view of our haircutting appliance;
FIG. 2 is a second perspective view thereof;
FIG. 3 is a rear perspective view thereof;
FIG. 4 is a top view thereof;
FIG. 5 is a bottom view thereof;
FIG. 6 is a right side view thereof;
FIG. 7 is a left side view thereof;
FIG. 8 is a front view thereof; and,
FIG. 9 is a rear view thereof.

1 Claim, 9 Drawing Sheets



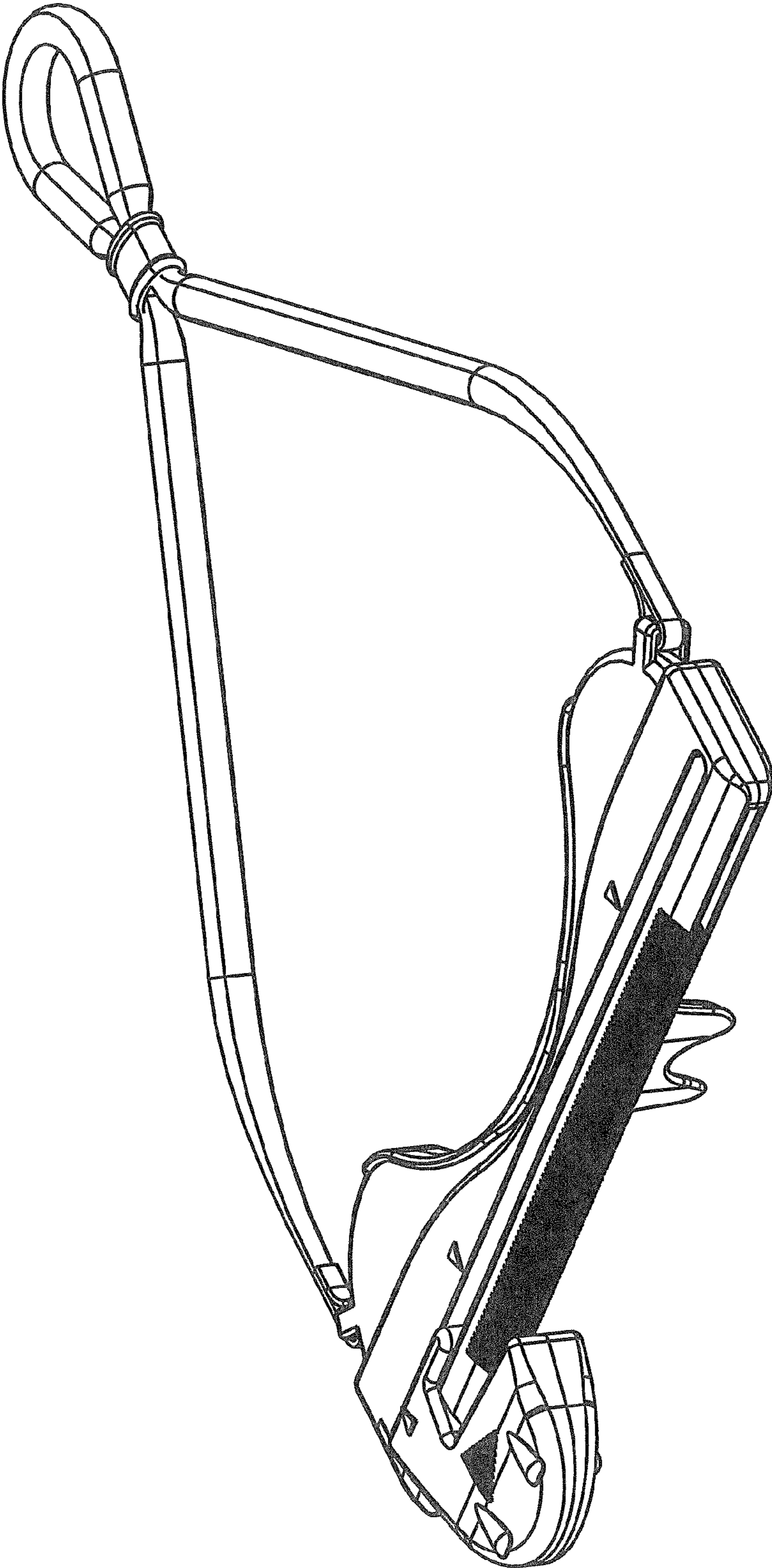


FIG. 1

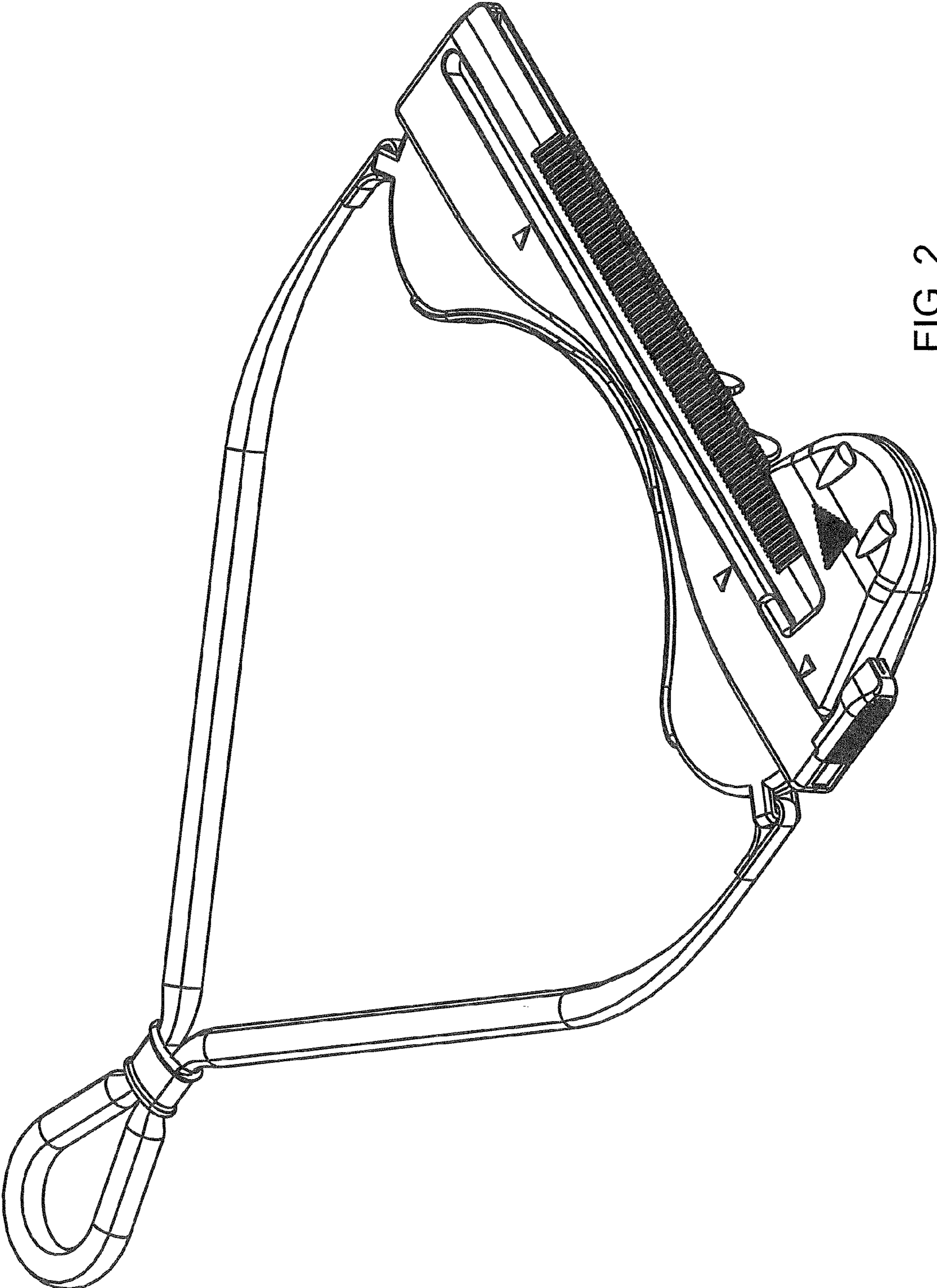


FIG. 2

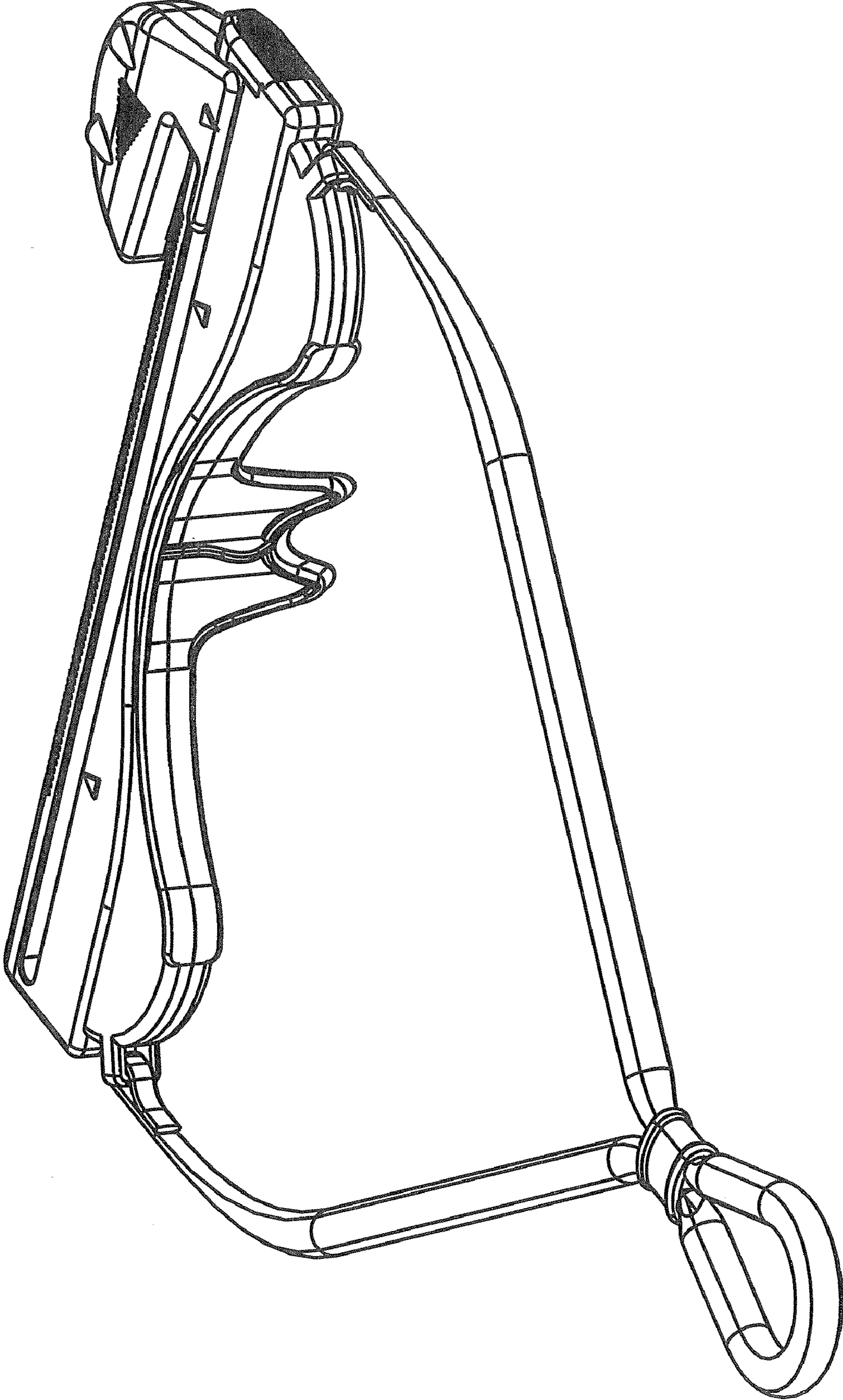


FIG. 3

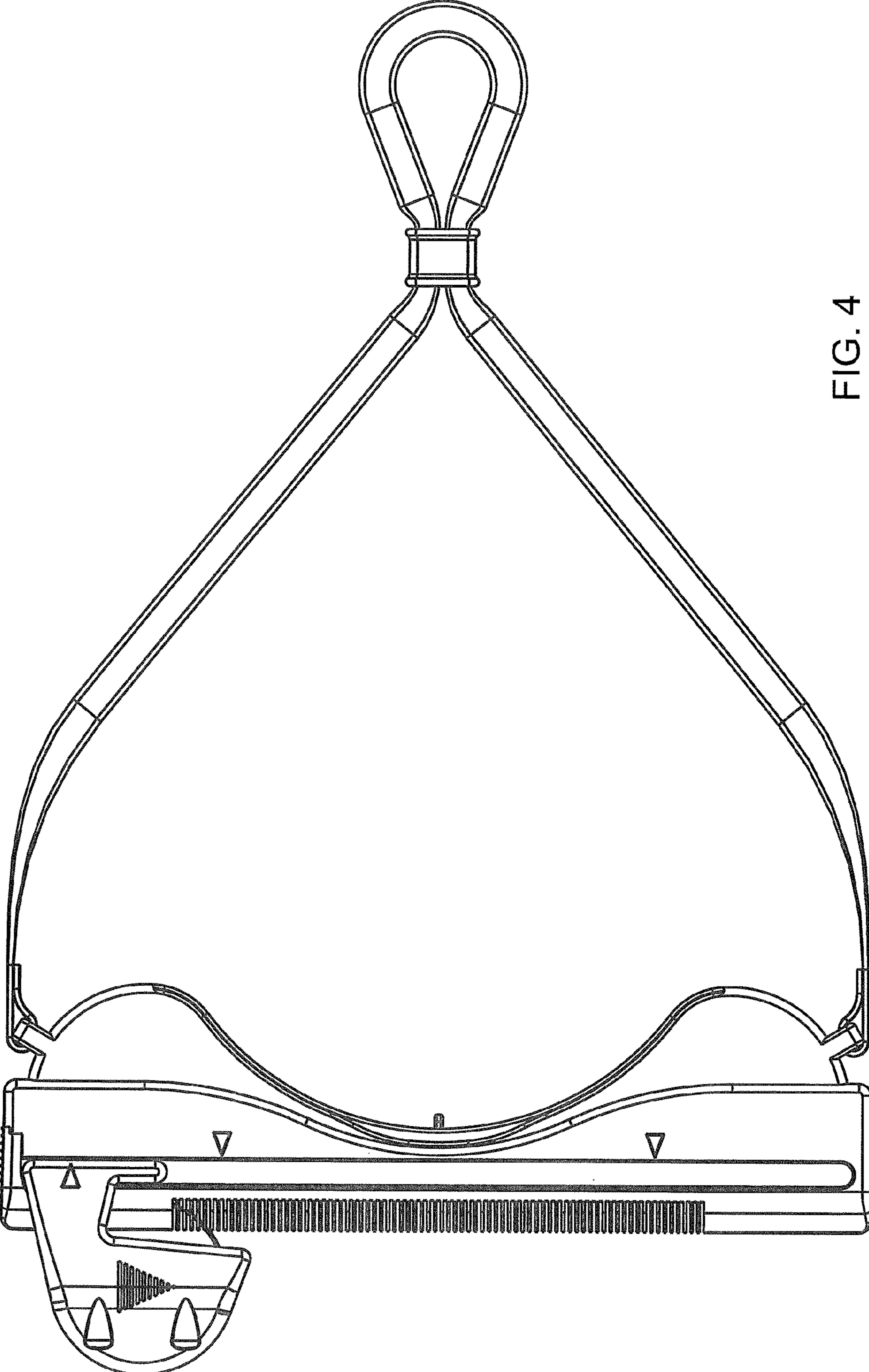


FIG. 4

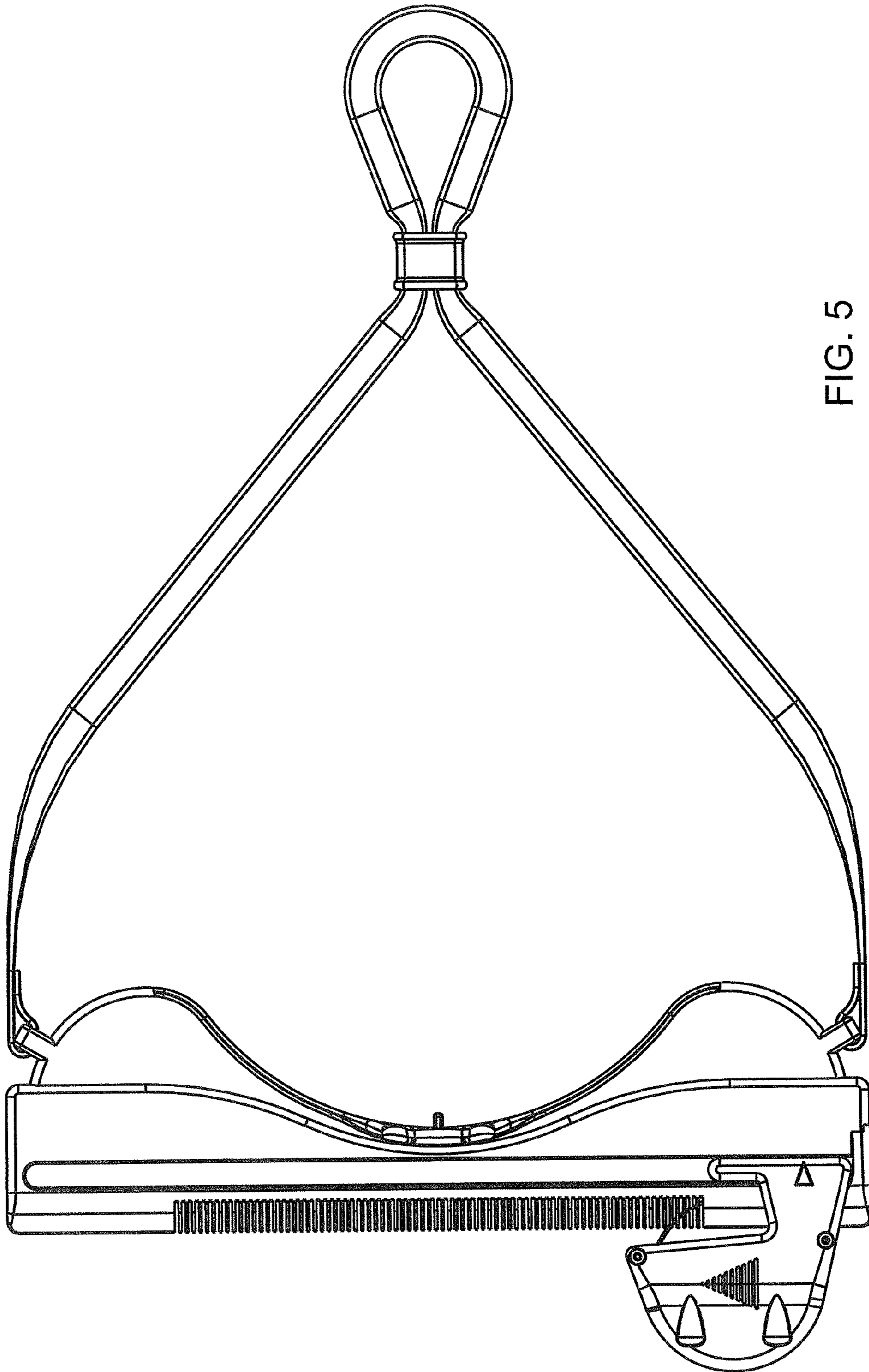


FIG. 5

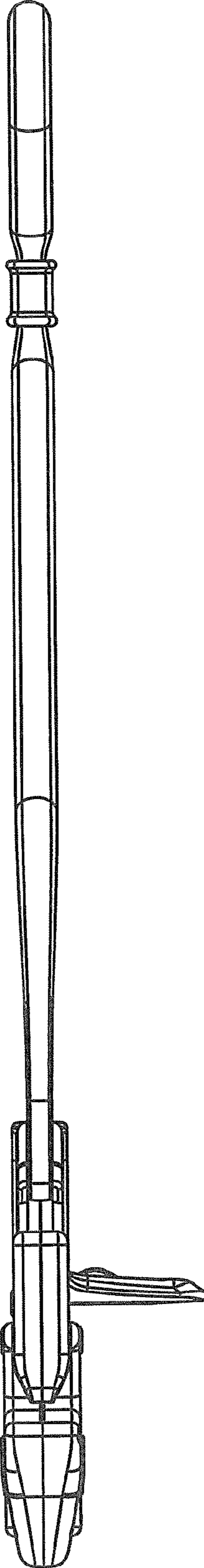


FIG. 6

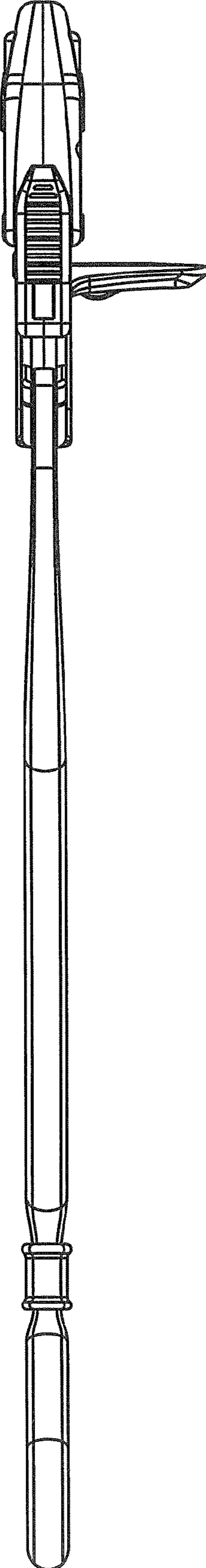


FIG. 7

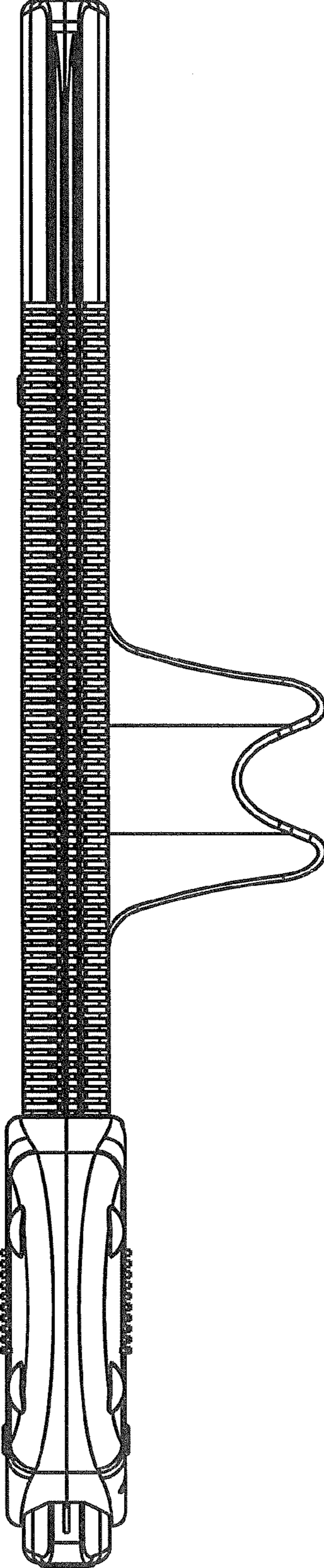


FIG. 8

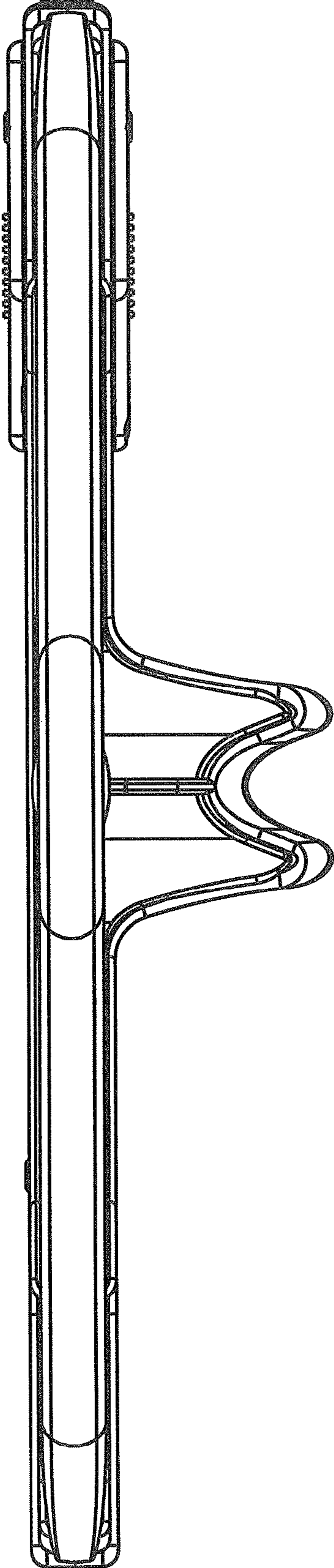


FIG. 9